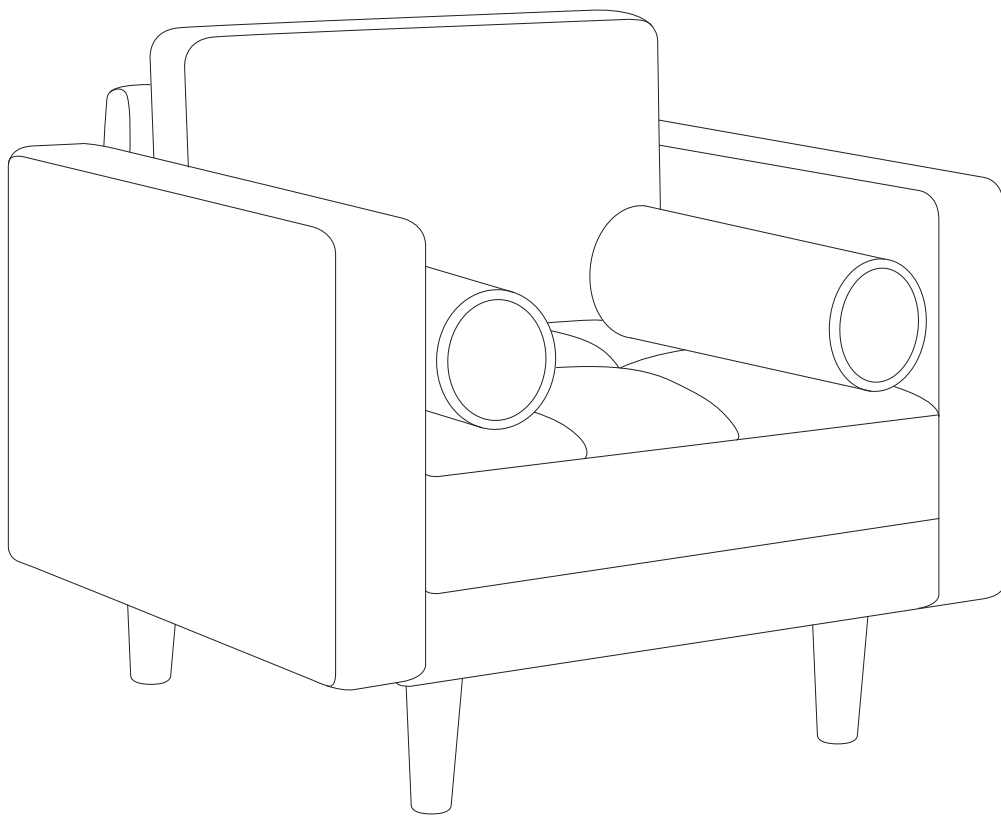
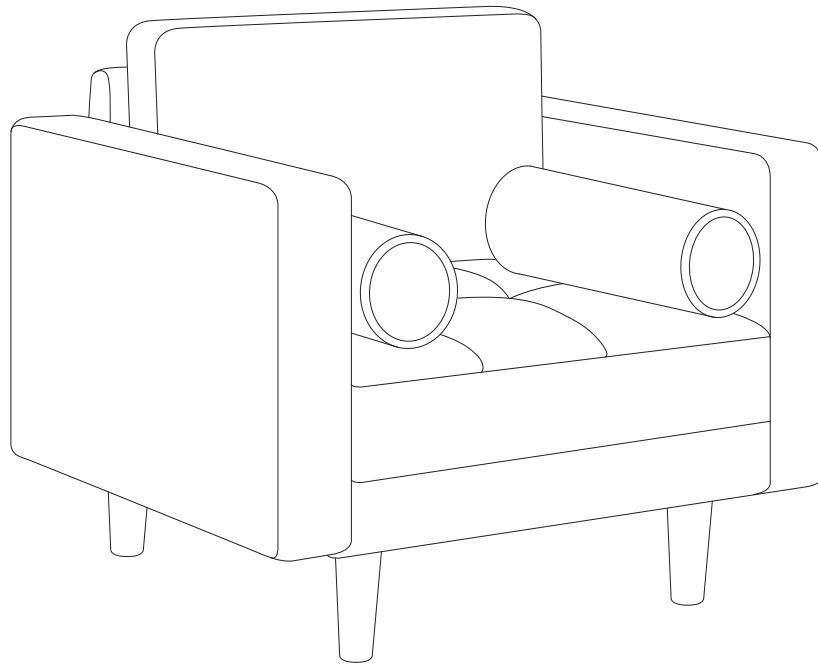
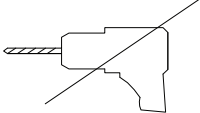

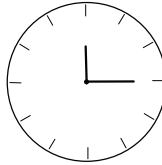
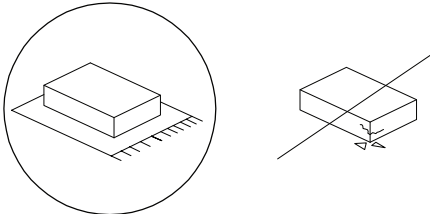


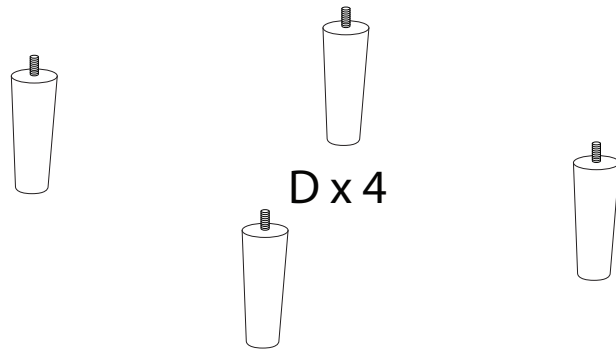
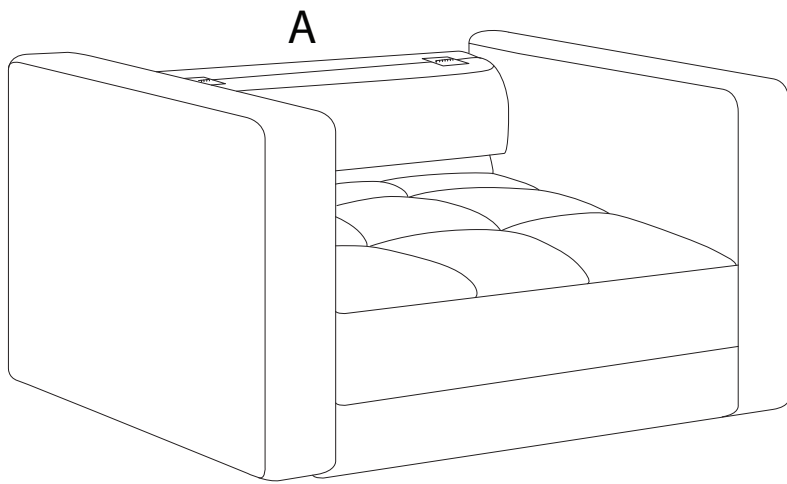
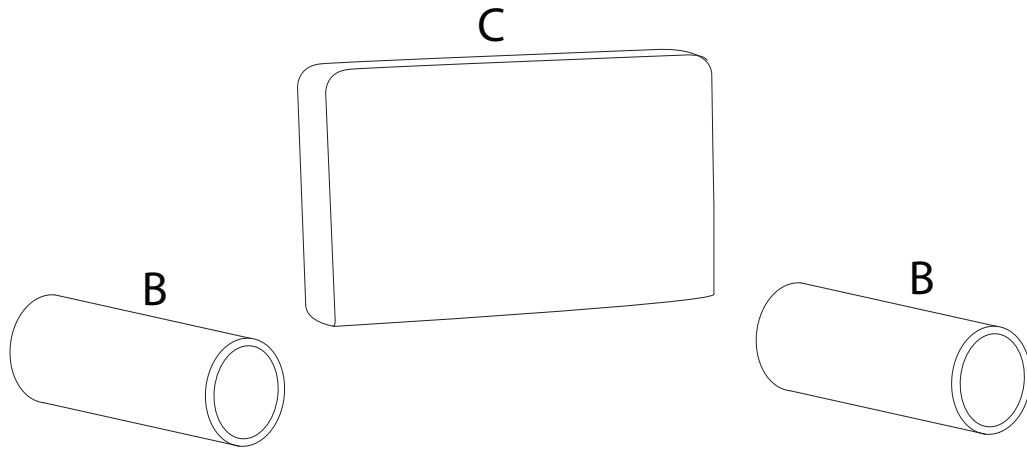


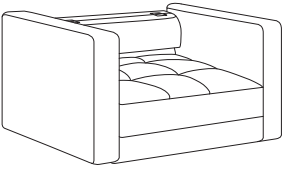
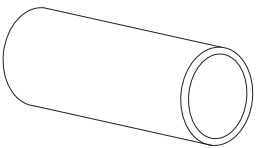
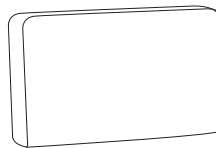

NURMO



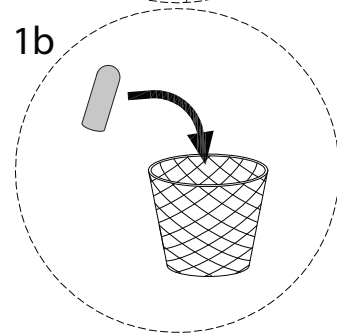
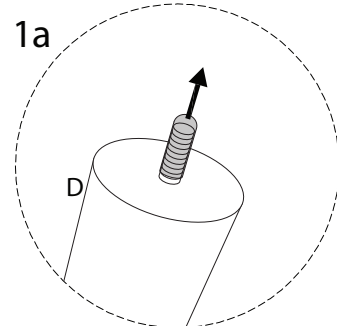
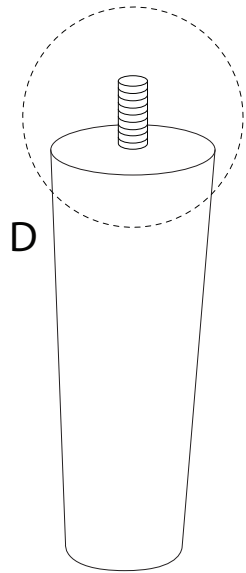


		
		
<p>15'</p>		
<p>2</p>		

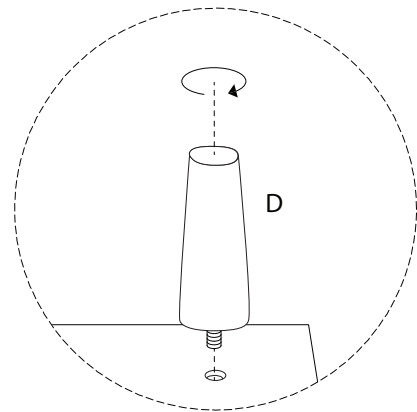
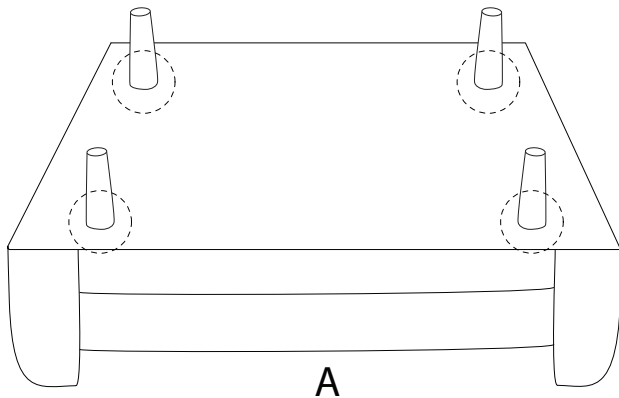
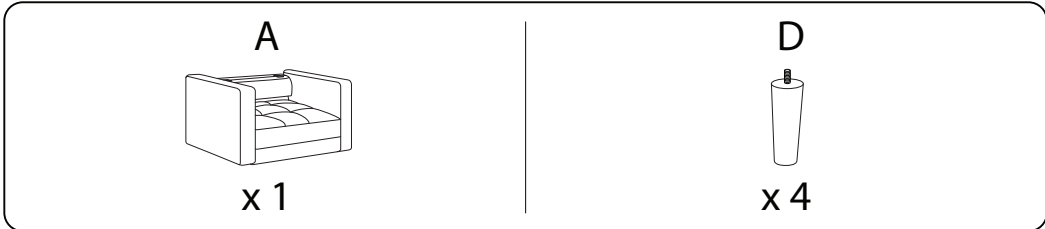


A	B	C	D
			
x 1	x 2	x 1	x 4

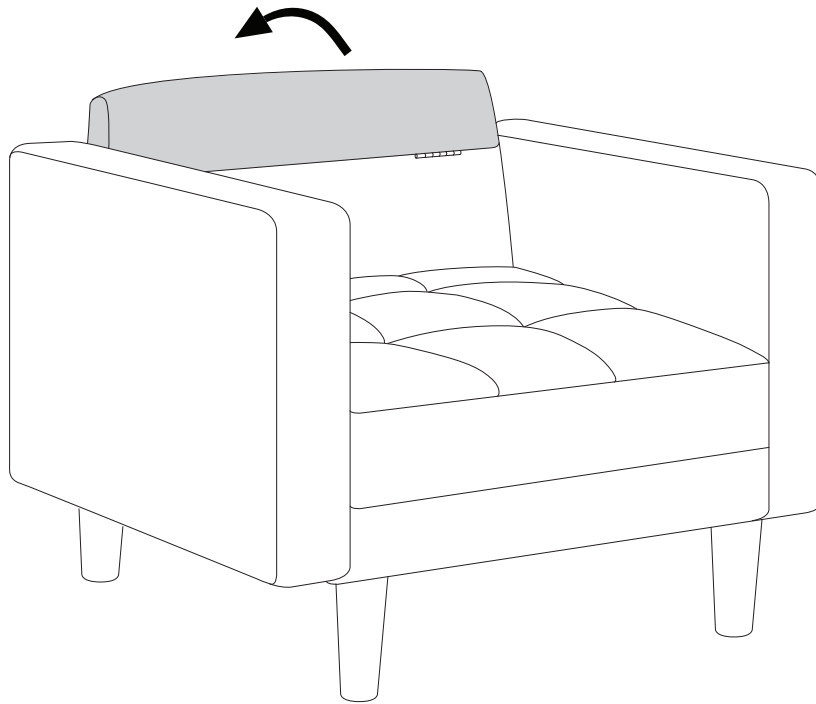
!



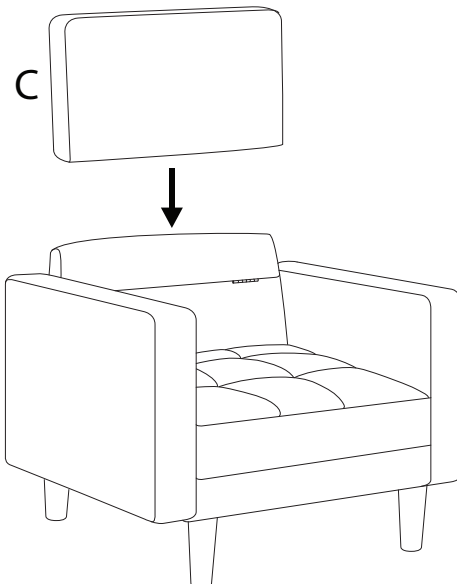
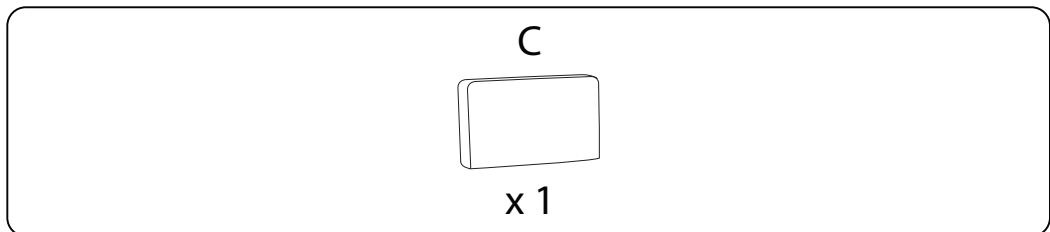
1



2



3



4

