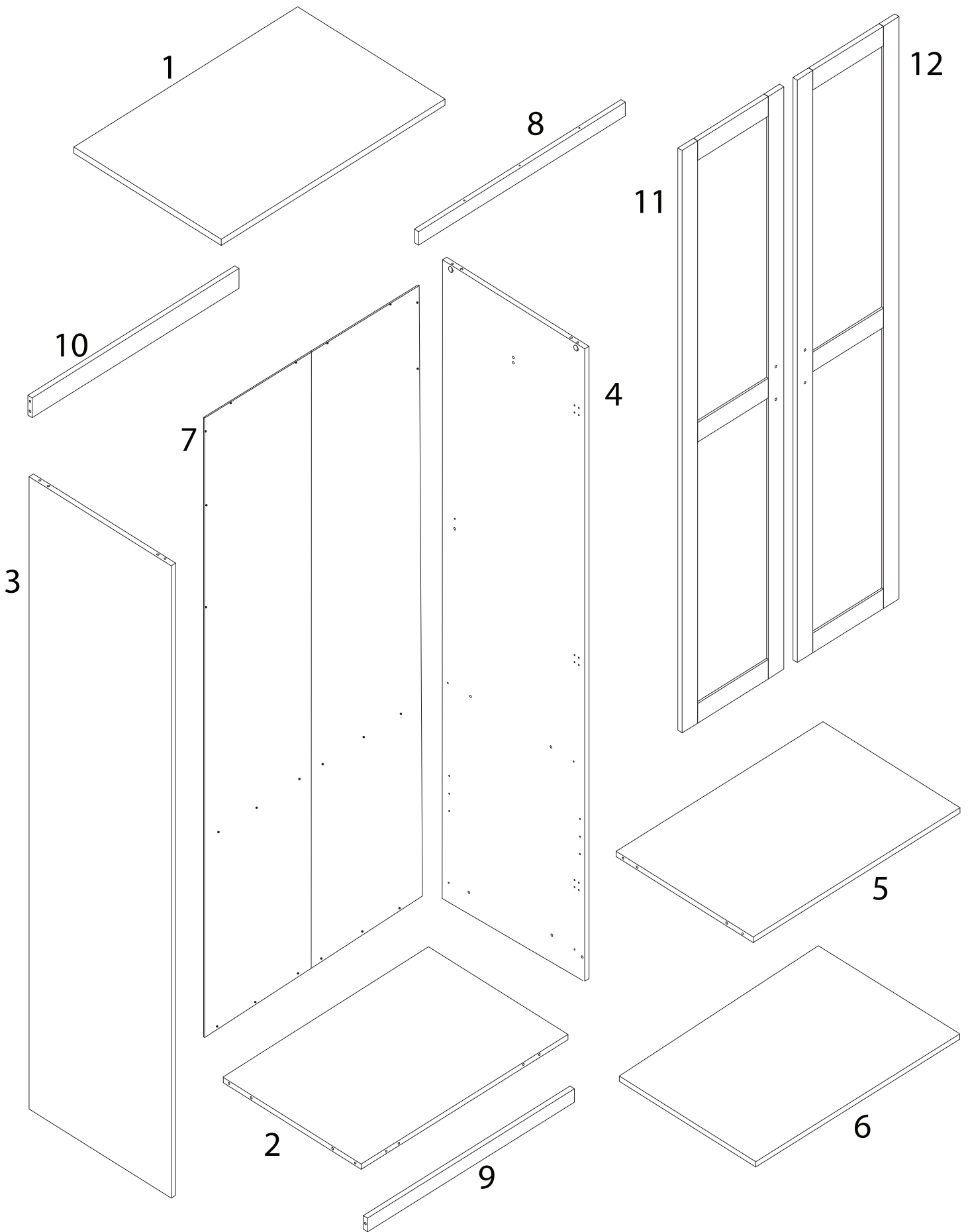
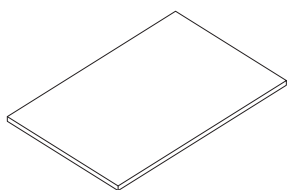


Diagram illustrating safety and time requirements for assembly:

- Top Section:** A box containing a screwdriver icon and a crossed-out power drill icon, with a warning triangle above it. To the right is a clock icon with the text "90'" below it.
- Bottom Section:** A box containing an icon of a block being lifted from a mat and a crossed-out icon of a block being lifted from a mat, with a warning triangle above it. To the right is a person icon with the text "2" below it.

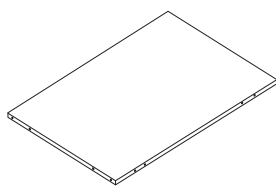


1



x 1

2



x 1

3



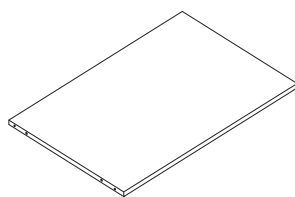
x 1

4



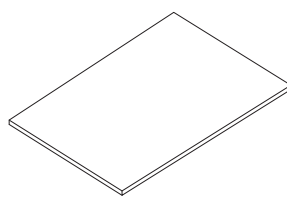
x 1

5



x 1

6



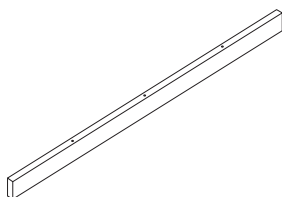
x 1

7



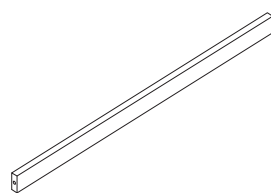
x 1

8



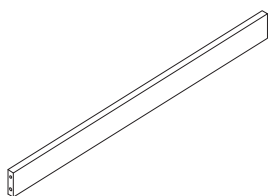
x 1

9



x 1

10



x 1

11



x 1

12



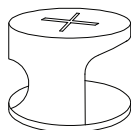
x 1

A



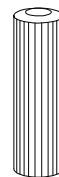
x 18

B



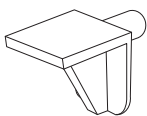
x 18

C



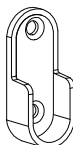
x 18

D



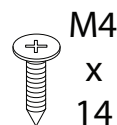
x 4

E



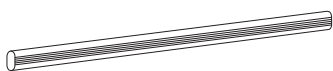
x 2

F



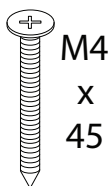
x 40

G



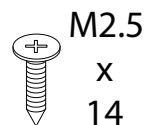
x 1

H



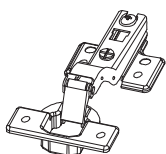
x 3

I



x 32

J



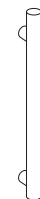
x 6

K



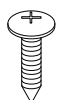
x 4

M



x 2

N1



x 2

N2



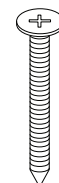
x 2

N3



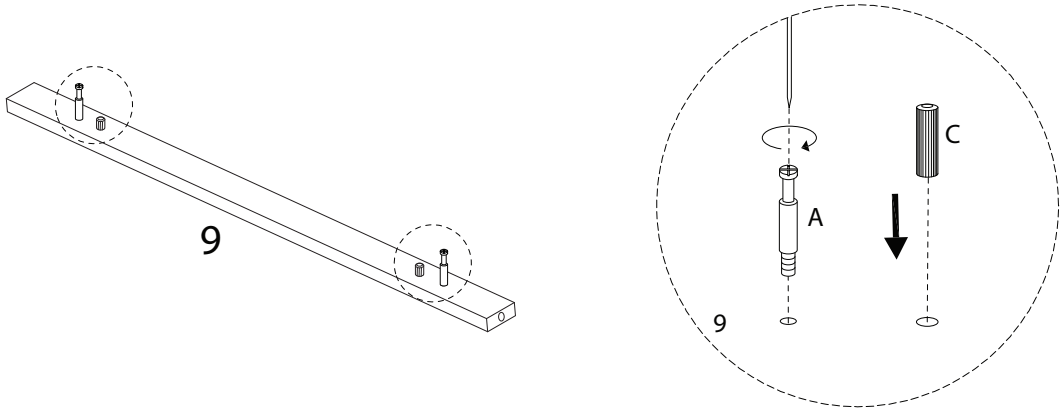
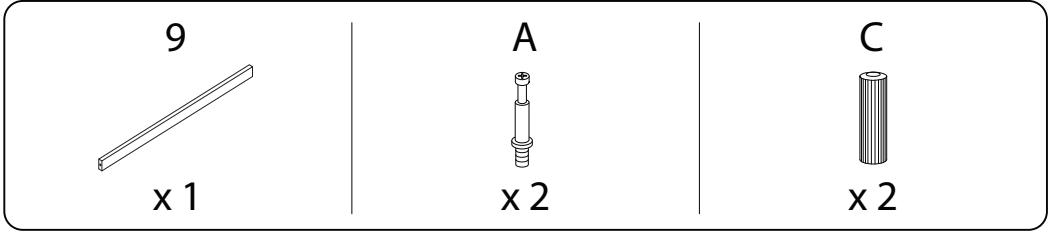
x 2

N4

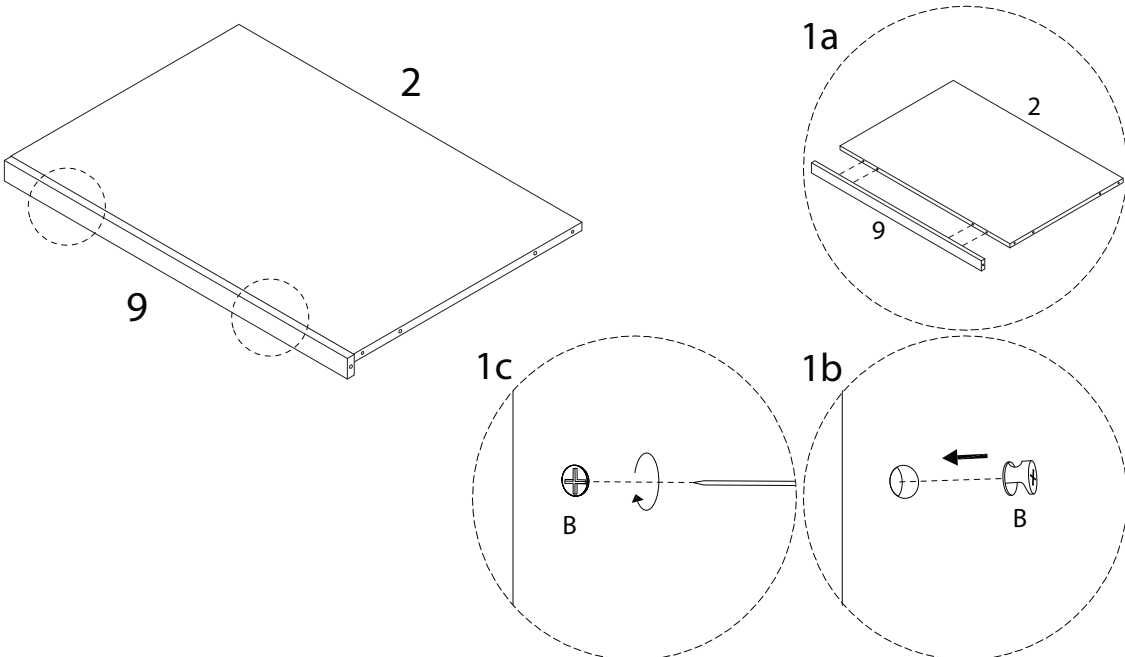
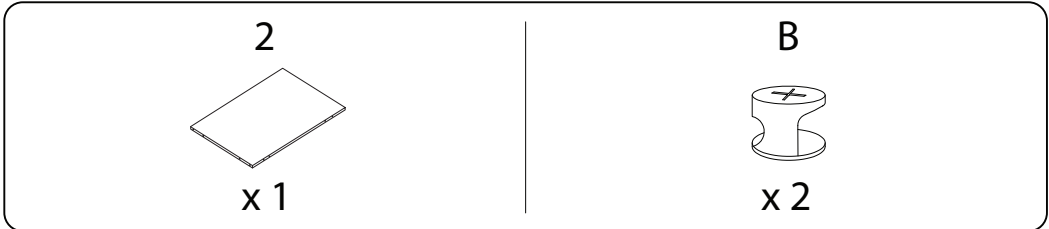


x 2

1



2



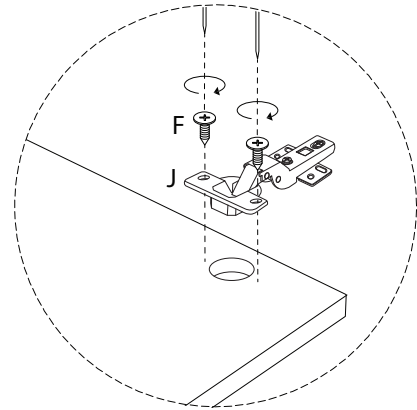
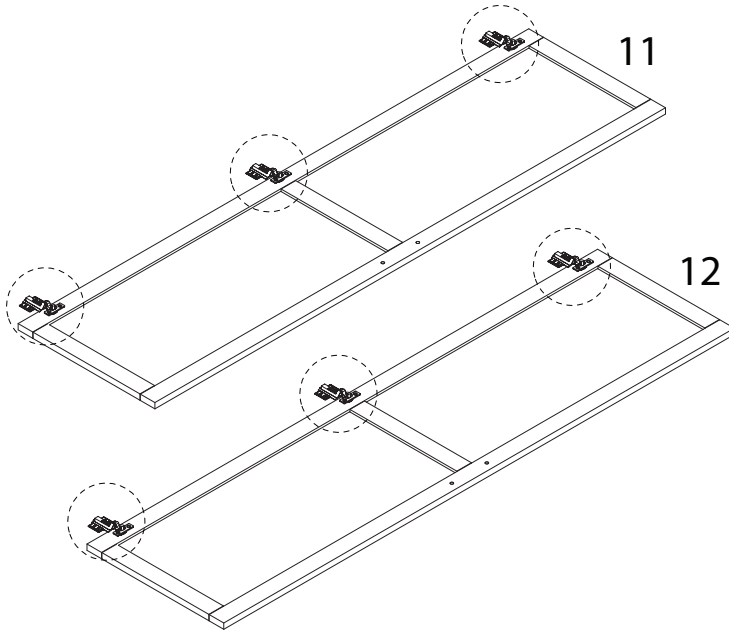
3

11  
x 1

12  
x 1

F  
M4  
x  
14  
x 12

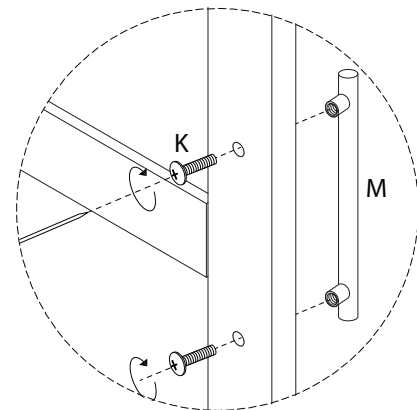
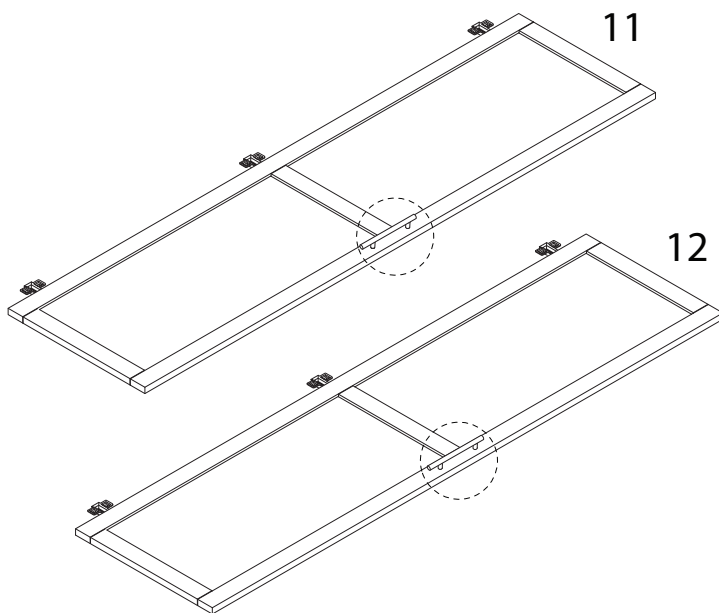
J  
x 6



4

K  
M4  
x  
20  
x 4

M  
x 2



5

3

x 1

4

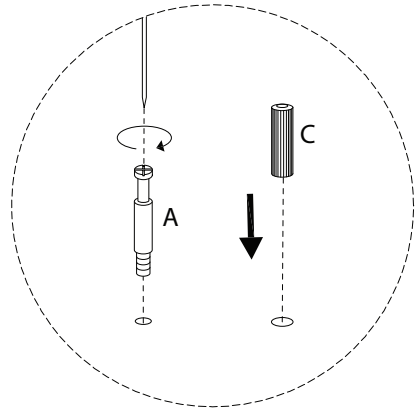
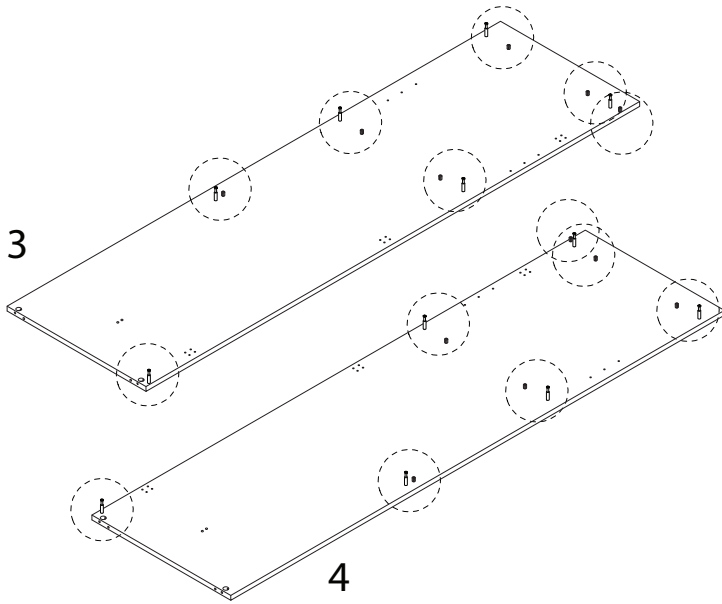
x 1

A

x 12

C

x 12



6

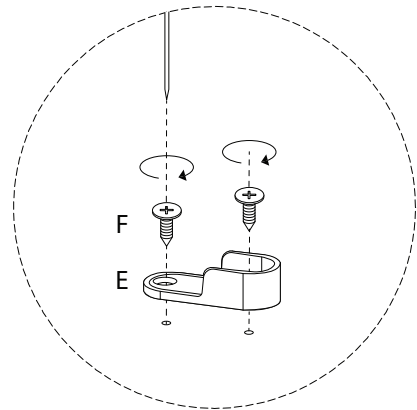
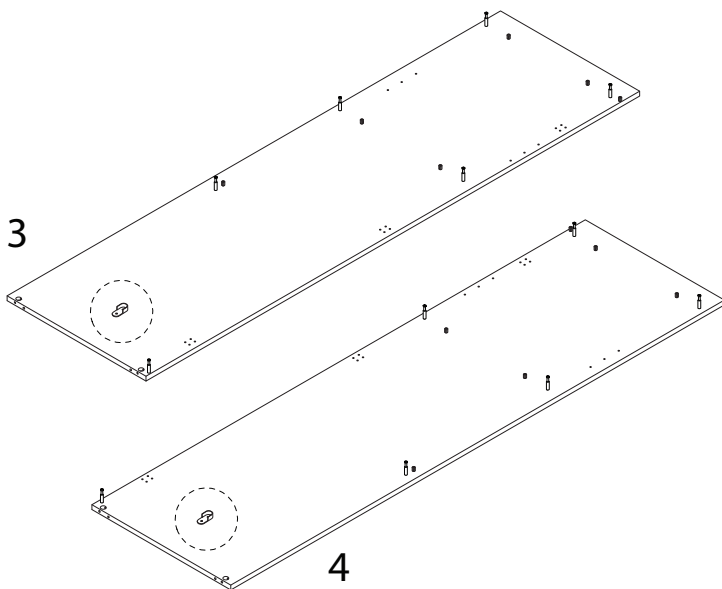
E

x 2

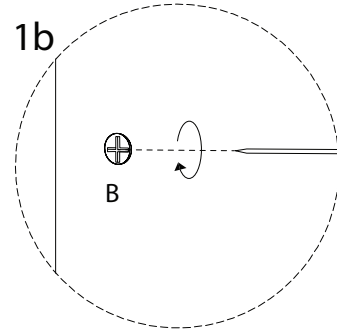
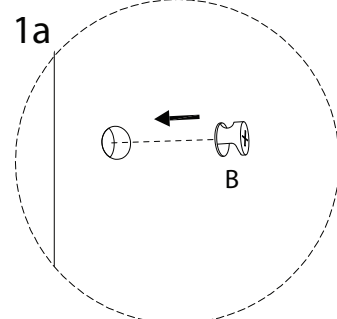
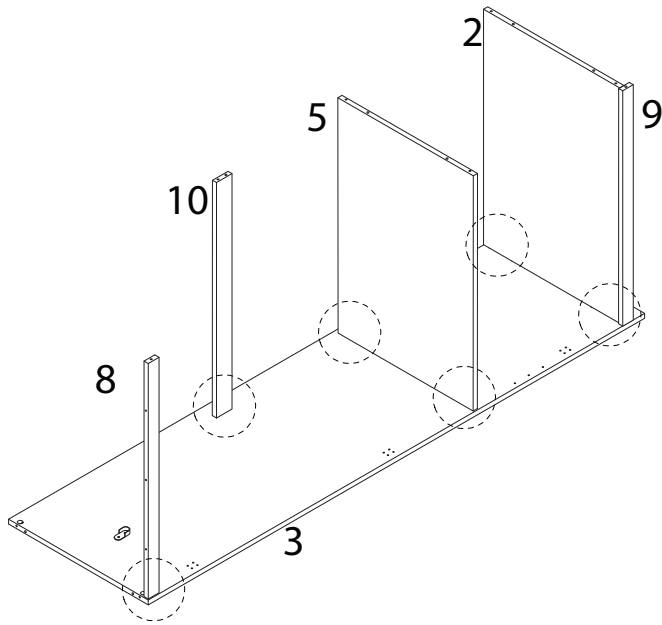
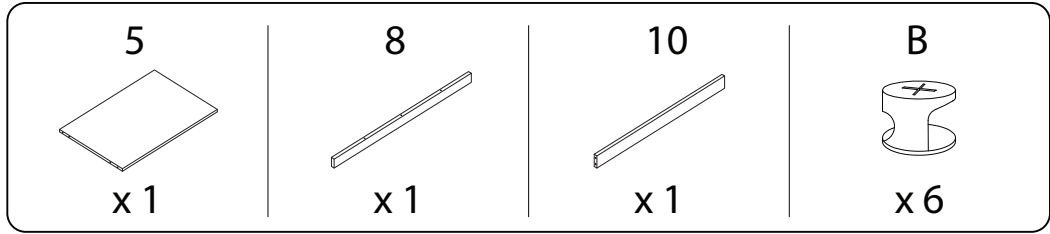
F

M4  
x  
14

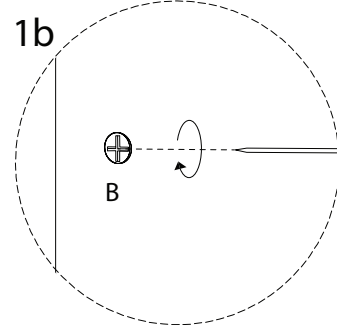
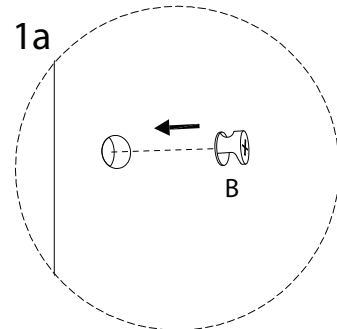
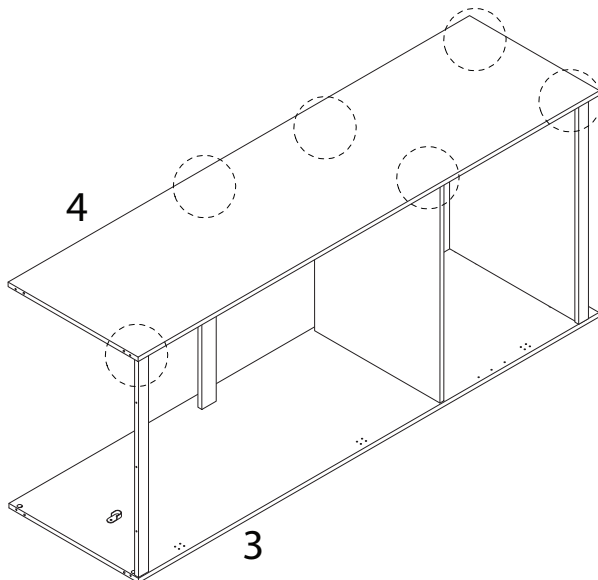
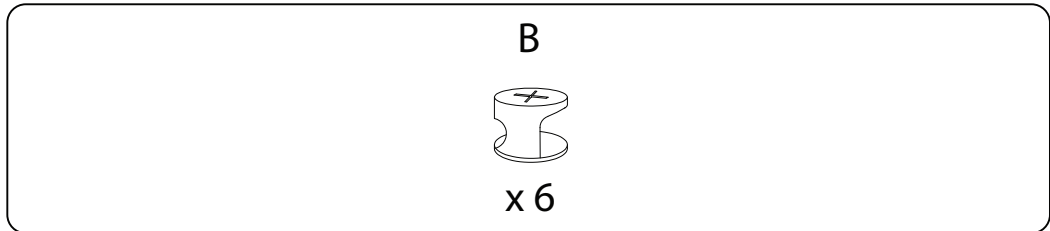
x 4



7

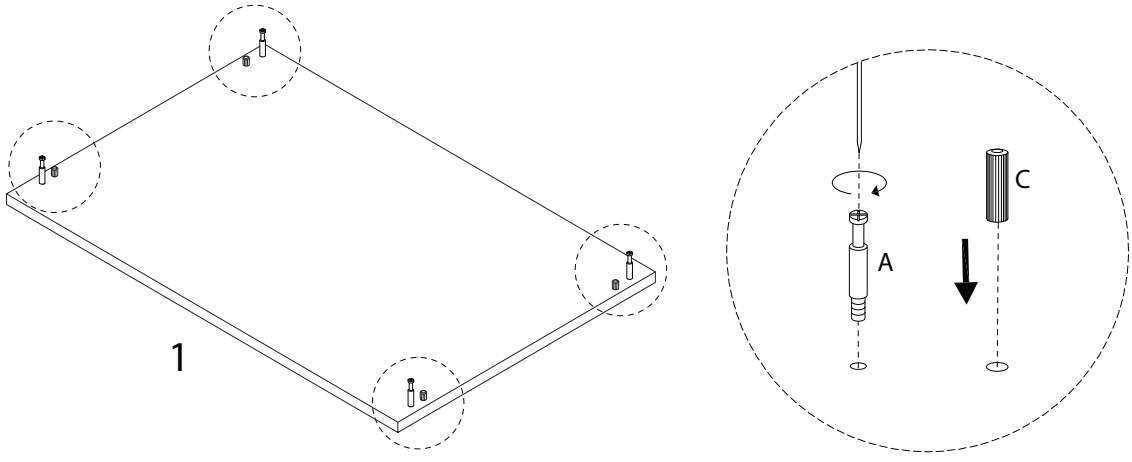
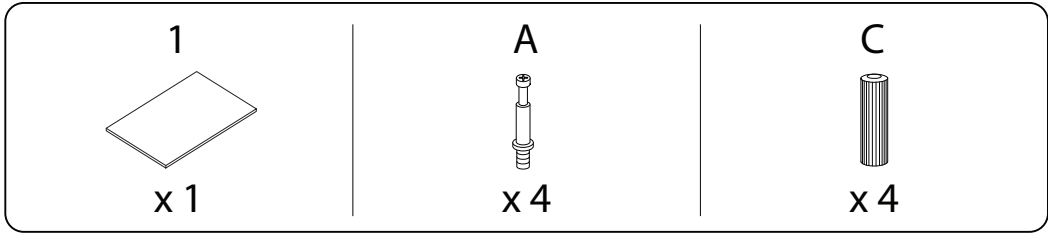


8

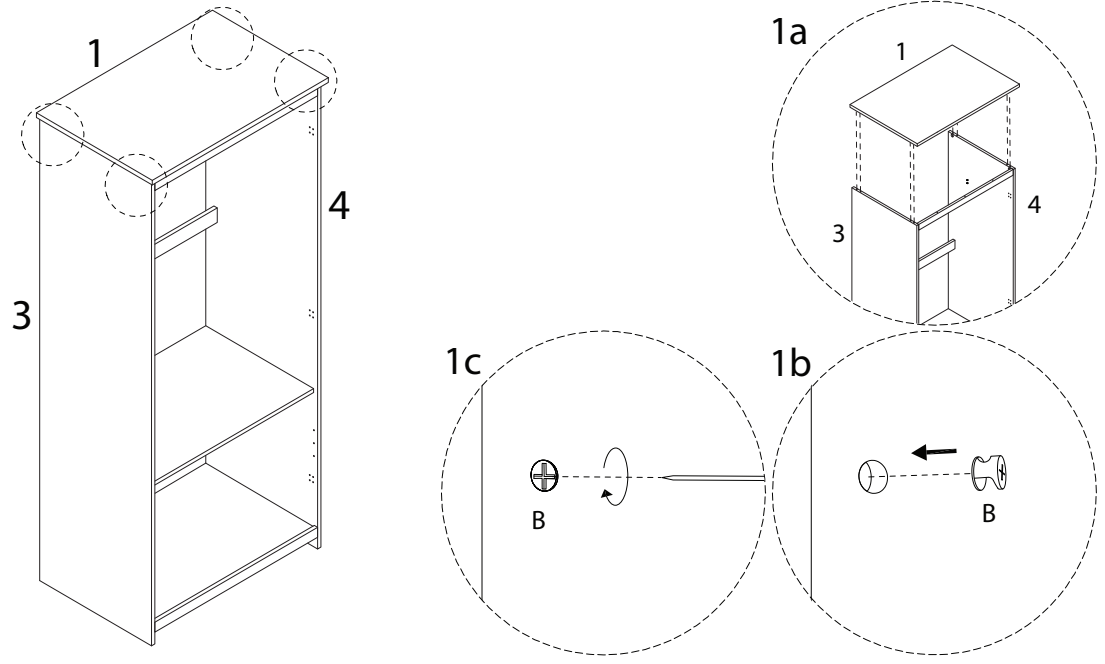
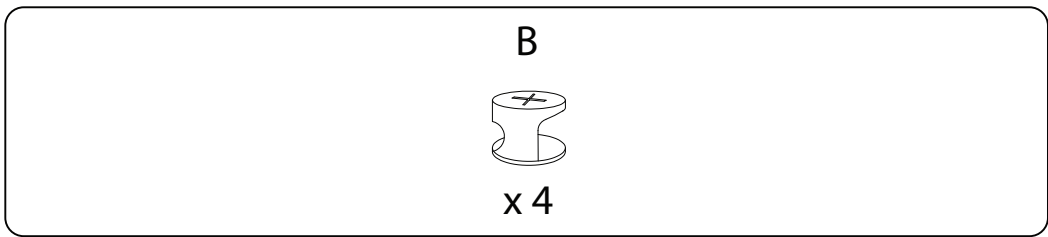




9

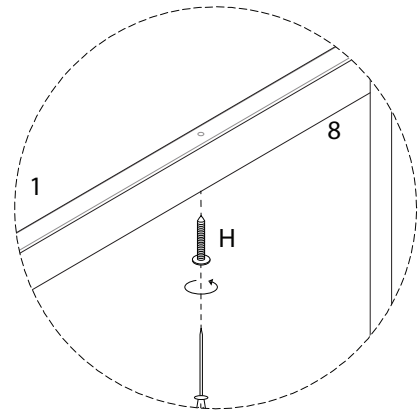
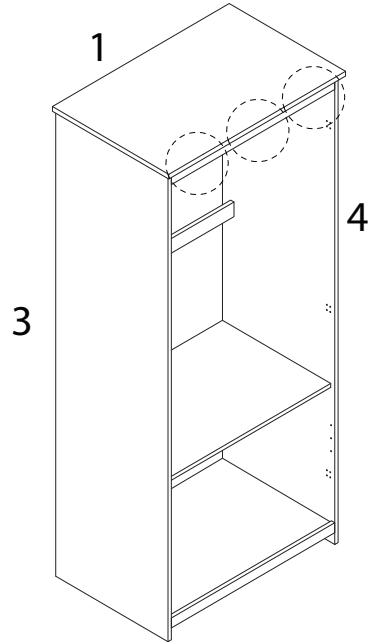


10



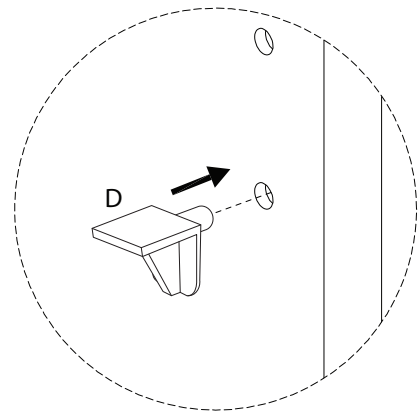
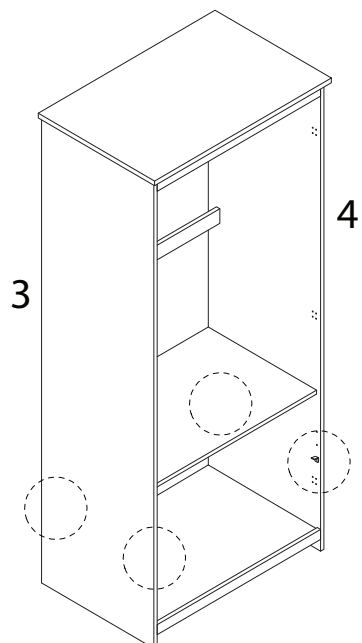
11

H  
M4  
x  
45  
x 3



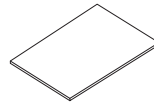
12

D  
  
x 4

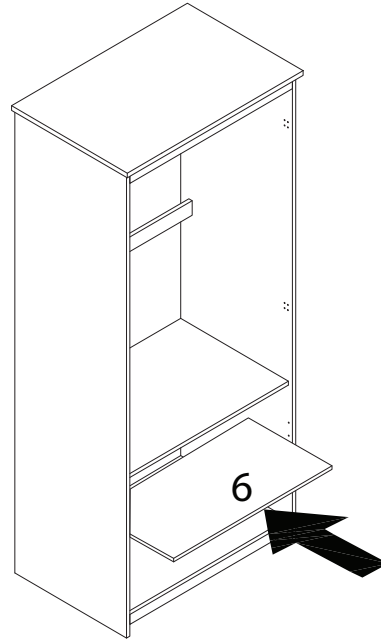


13

6

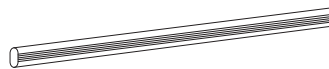


x 1

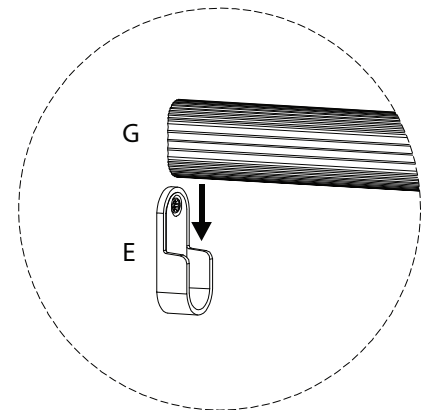
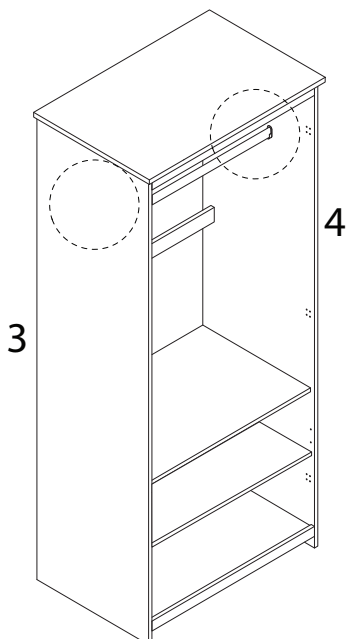


14

G



x 1

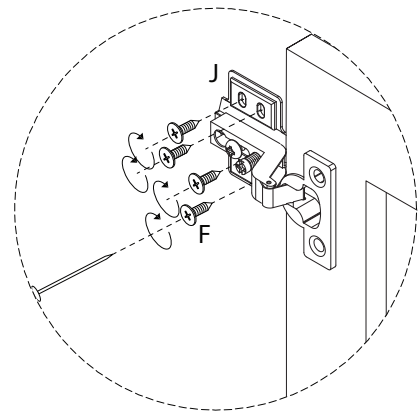
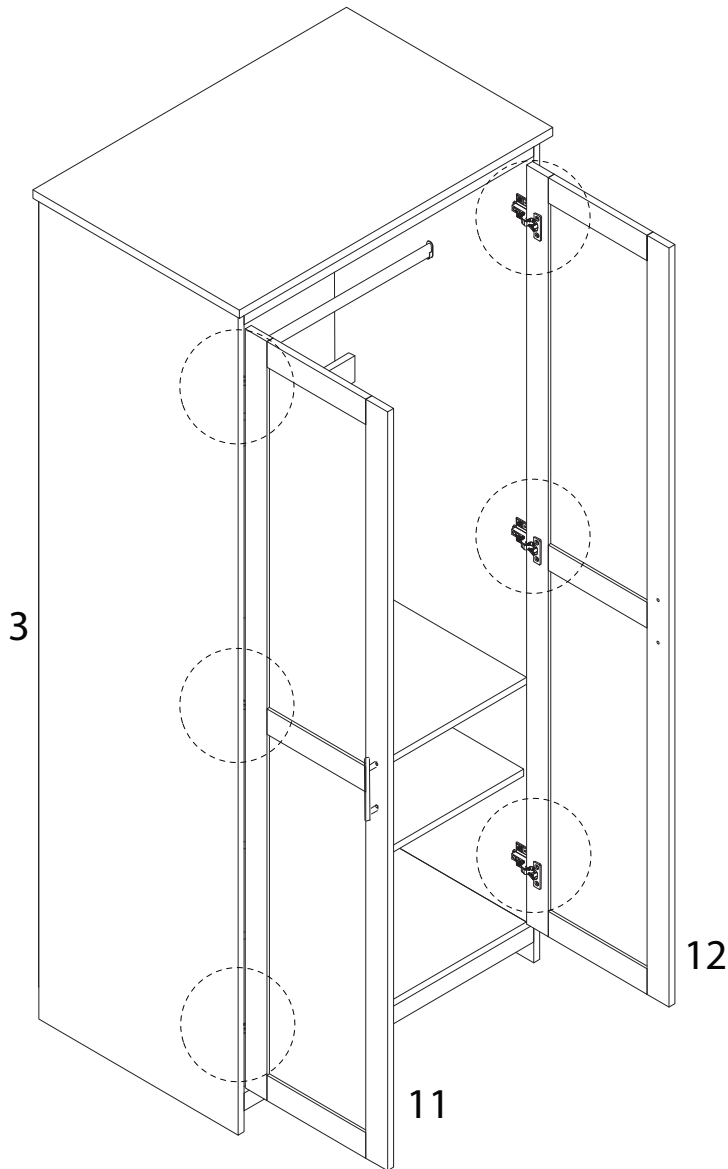


15

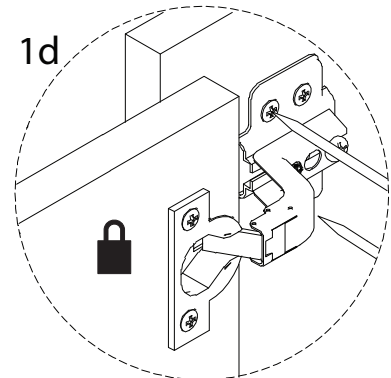
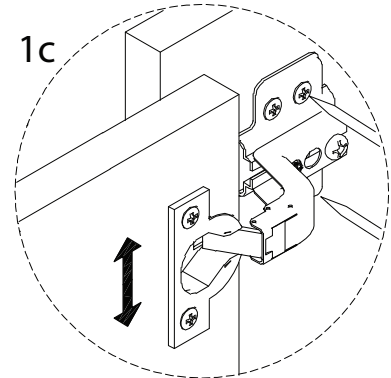
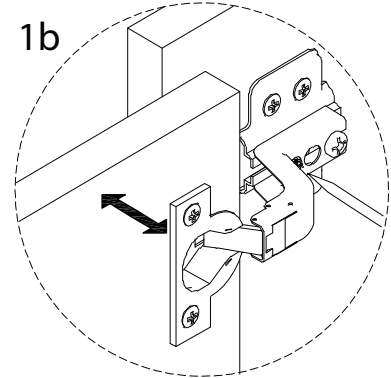
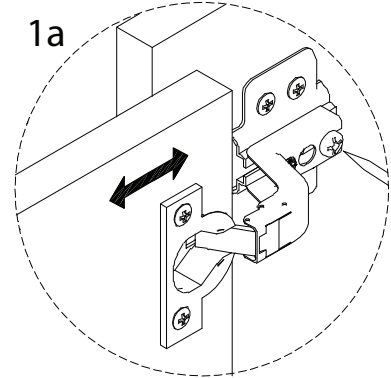
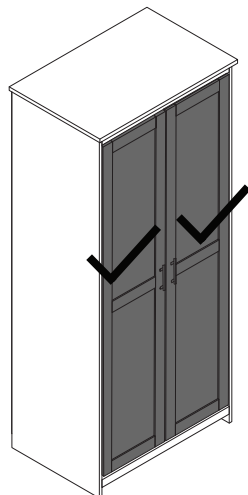
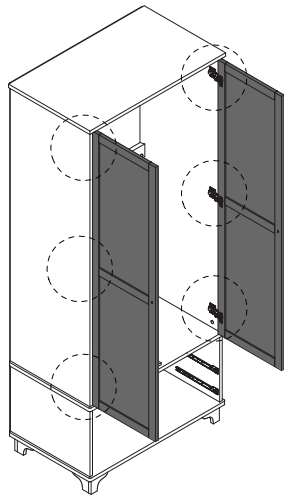
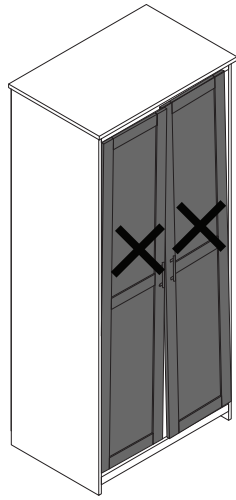
F



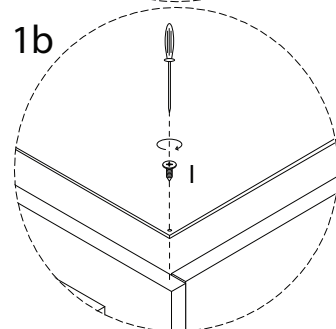
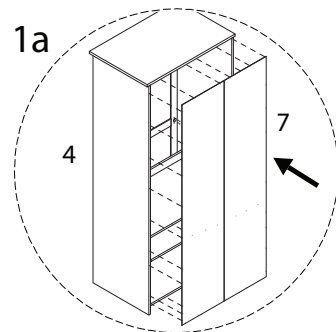
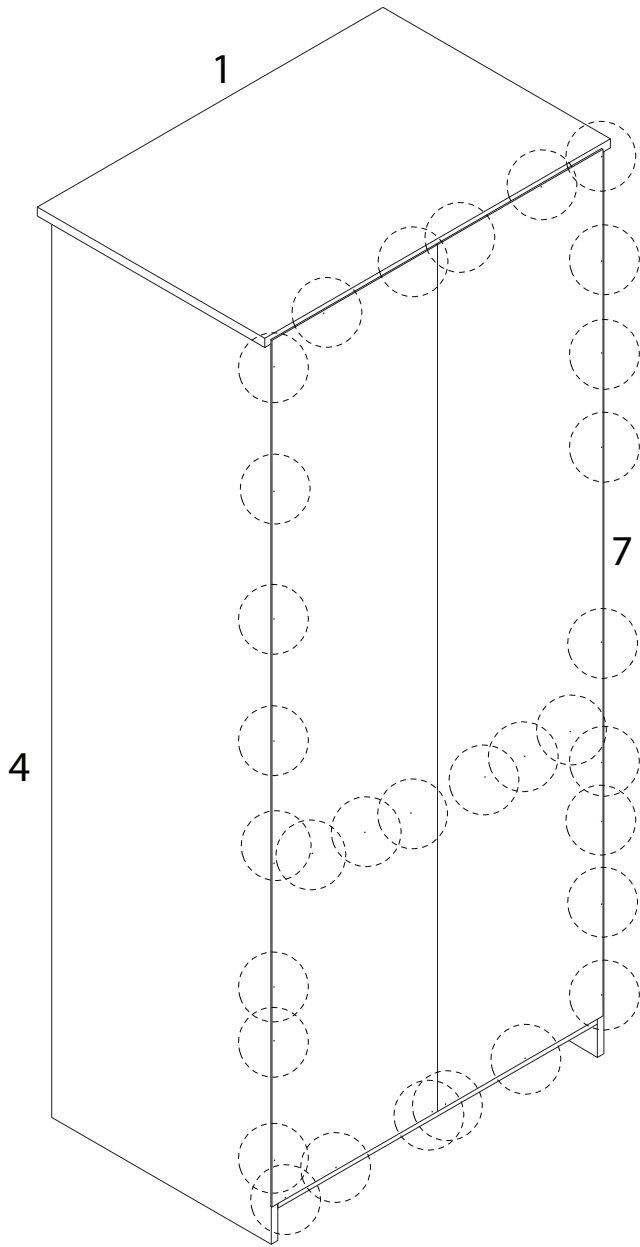
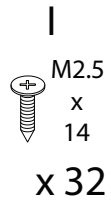
x 24



!



16



17

N1

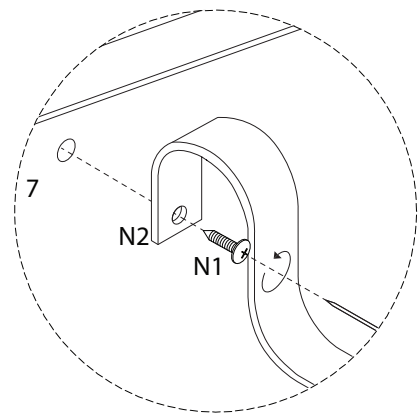
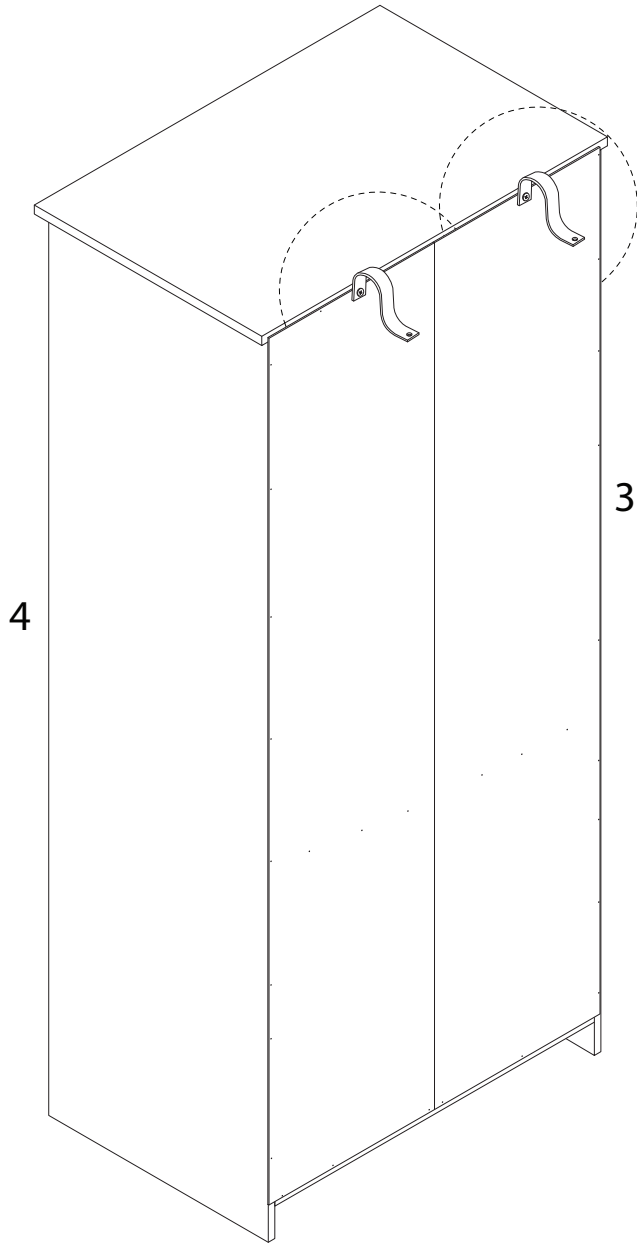


x 2

N2



x 2



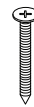
18

N3



x 2

N4



x 2

