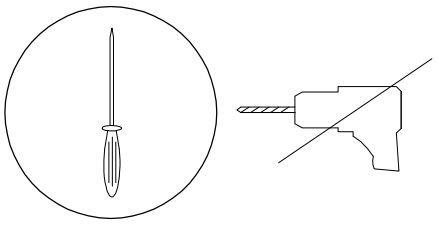

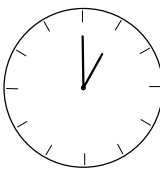
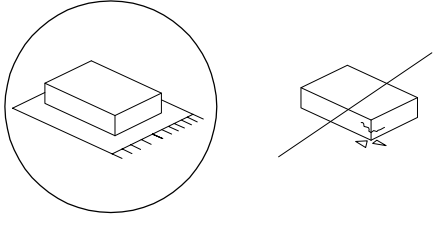



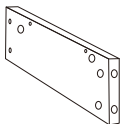
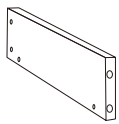
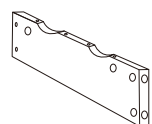
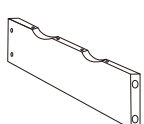
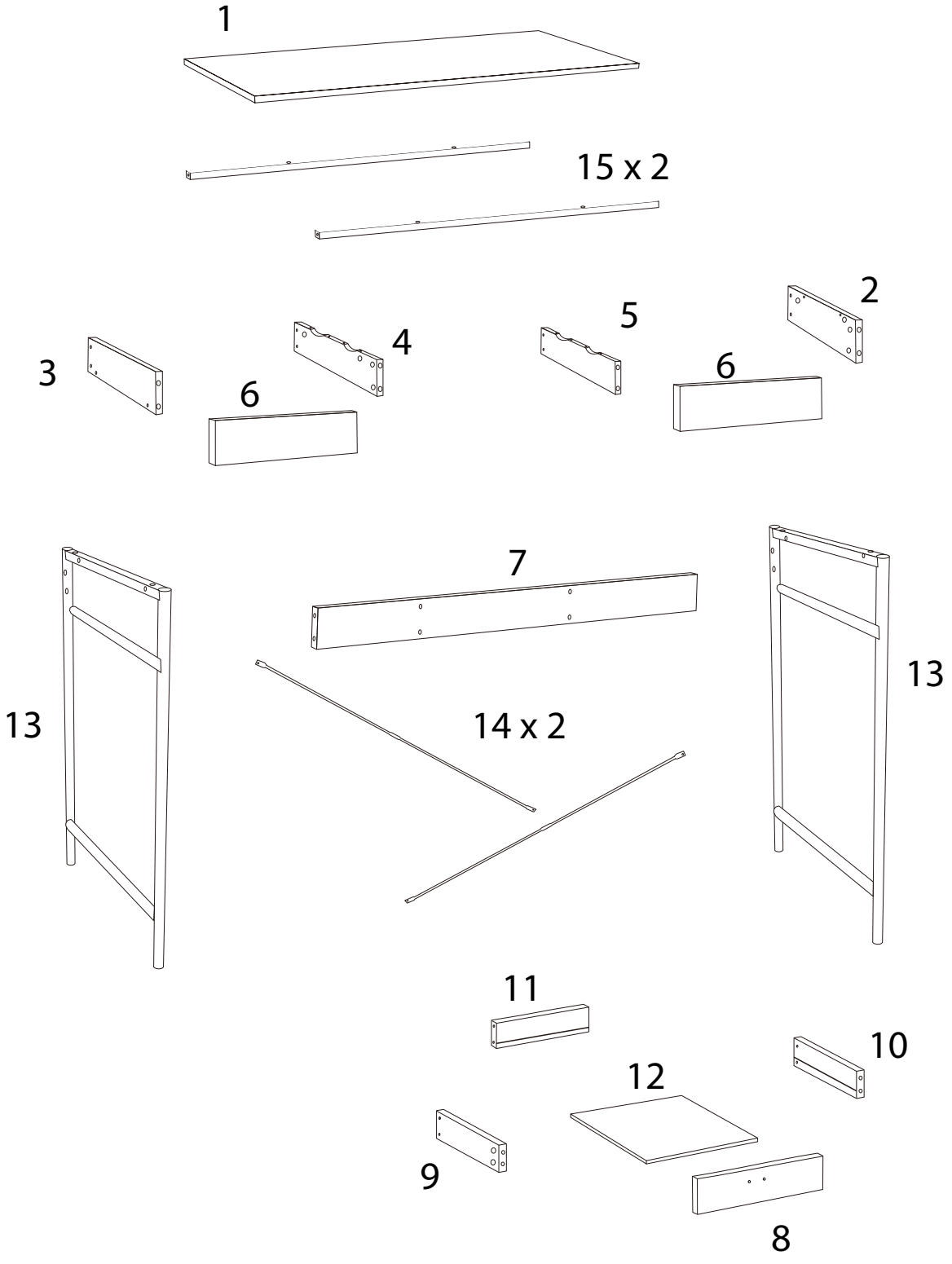


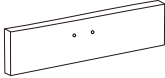
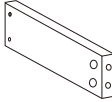
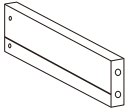

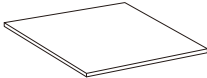



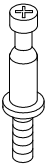
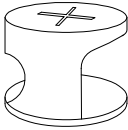
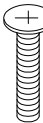

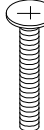
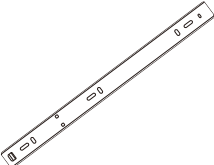
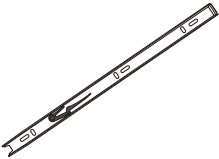

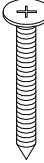
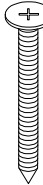
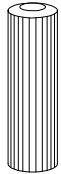
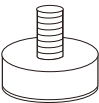
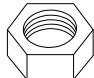






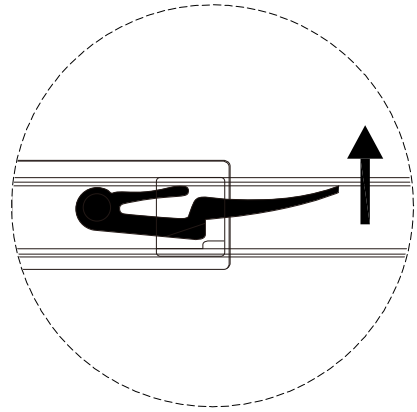
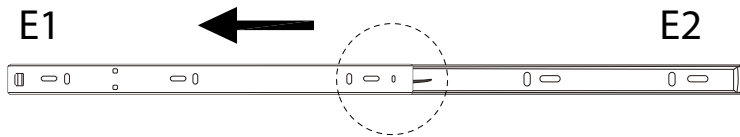
| | | |
|-------------------------------------------------------------------------------------|-------------------------------------------------------------------------------------|---------------------------------------------------------------------------------------|
|  |  |  |
|  |  | 60' |
| | |  |
| | | 1 |

| | | | | |
|-----------------------------------------------------------------------------------|-----------------------------------------------------------------------------------|-----------------------------------------------------------------------------------|------------------------------------------------------------------------------------|-------------------------------------------------------------------------------------|
| 1 | 2 | 3 | 4 | 5 |
|  |  |  |  |  |
| x 1 | x 1 | x 1 | x 1 | x 1 |



| | | | | |
|---------------------------------------------------------------------------------------------------|---------------------------------------------------------------------------------------------------|-----------------------------------------------------------------------------------------------------------------|------------------------------------------------------------------------------------------------------------------|-----------------------------------------------------------------------------------------------------------------|
| 6  x 2 | 7  x 1 | 8  x 1 | 9  x 1 | 10  x 1 |
| 11  x 1 | 12  x 1 | 13  x 2 | 14  x 2 | 15  x 2 |
| A1  x 25 | A2  x 25 | B  M6 x 25 x 8 | C  M6 x 12 x 5 | D  M6 x 45 x 4 |
| E1  x 2 | E2  x 2 | F  M3.5 x 12 x 8 | G  M5 x 50 x 8 | H  M5 x 70 x 4 |
| I  x 8 | J  x 4 | K  x 1 | L  M3.5 x 18 x 2 | N  x 1 |

!



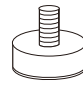
1

13

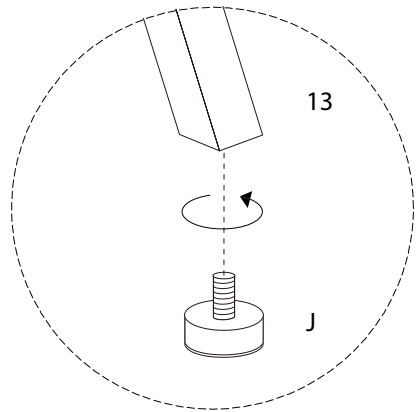
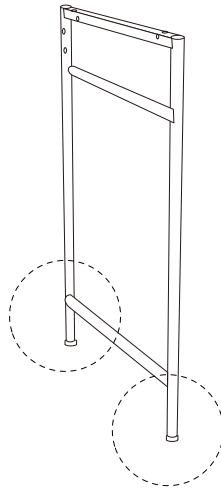
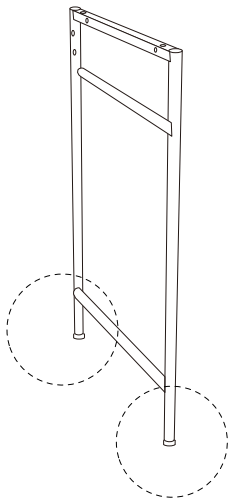


x 2

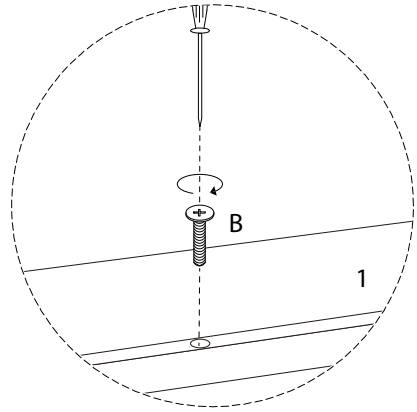
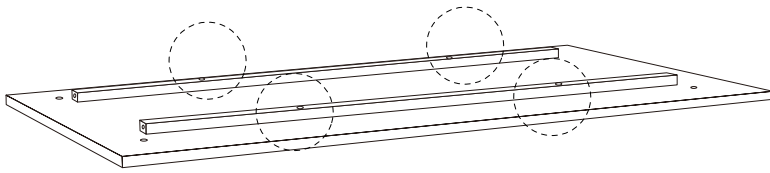
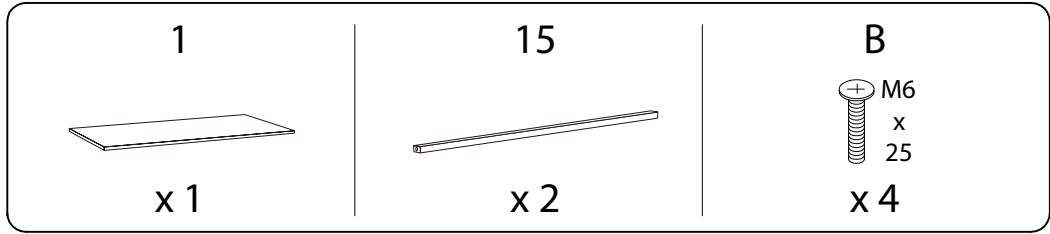
J



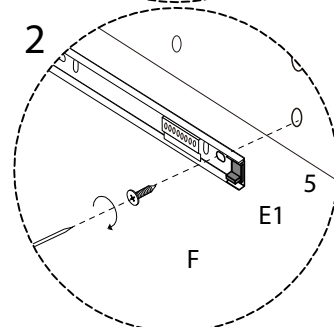
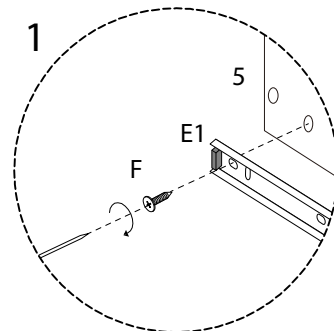
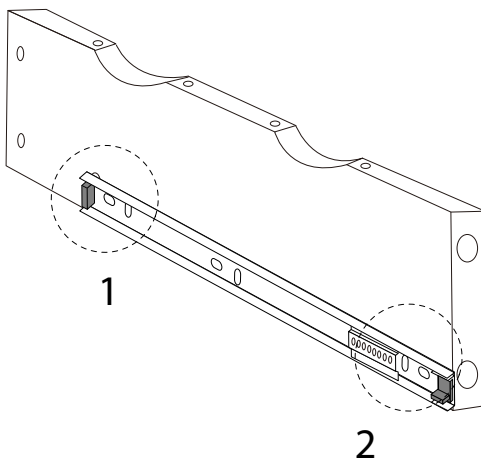
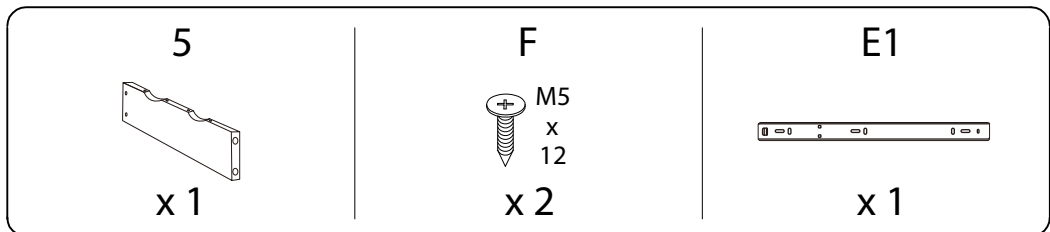
x 4



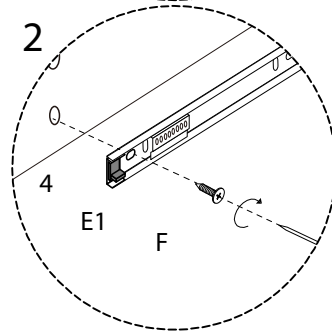
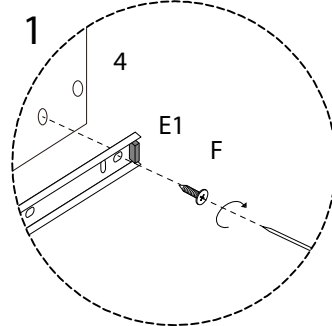
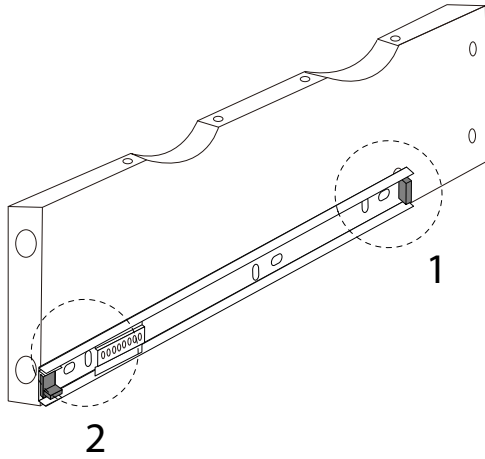
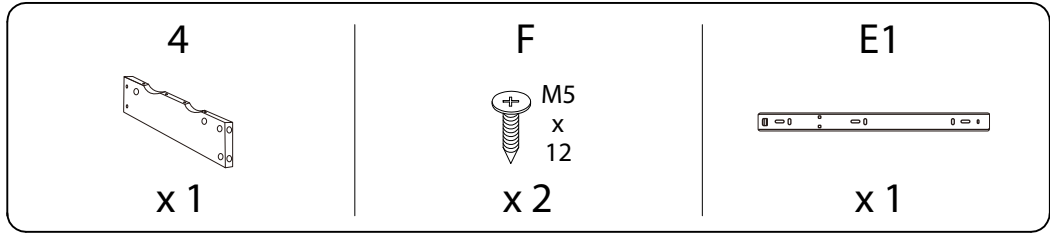
2



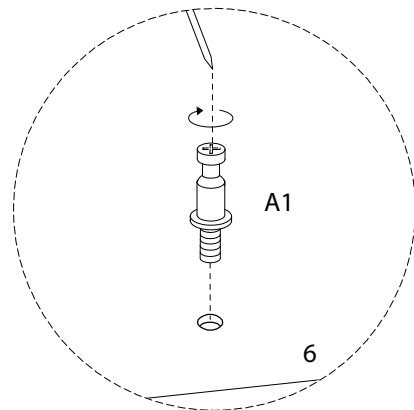
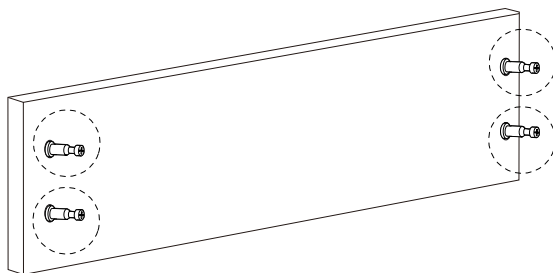
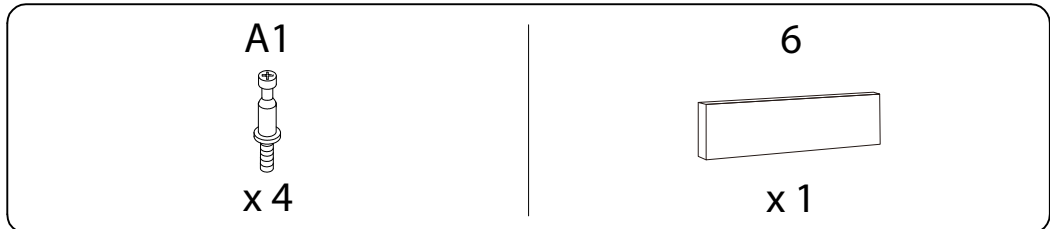
3



4

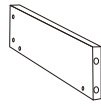


5 x 2

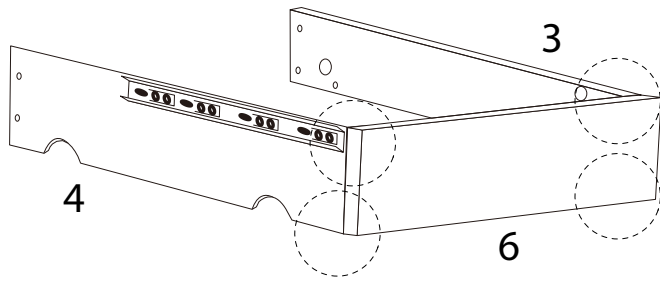


6

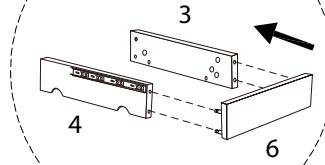
3



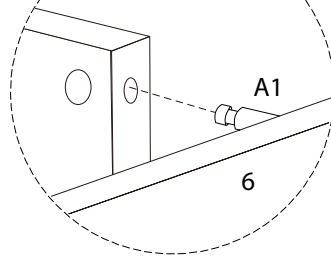
x 1



1a



1b

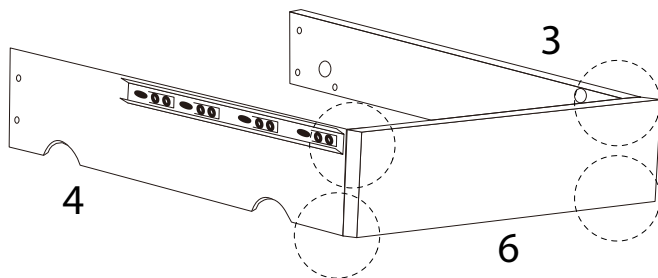


7

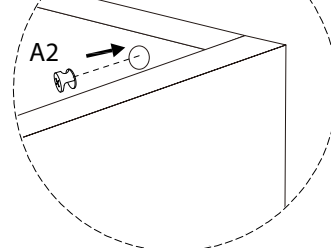
A2



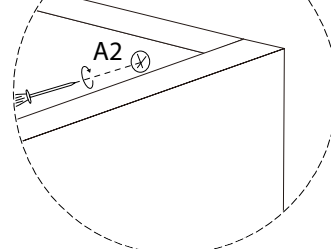
x 4



1a

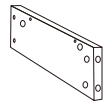


1b

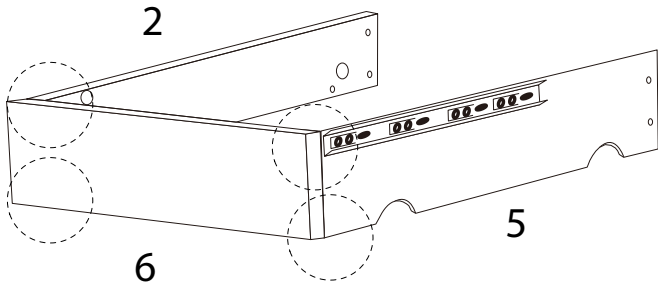


8

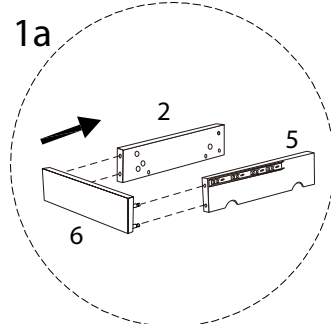
2



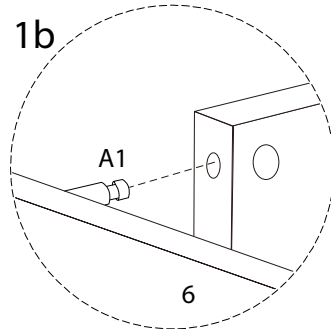
x 1



1a

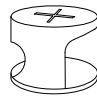


1b

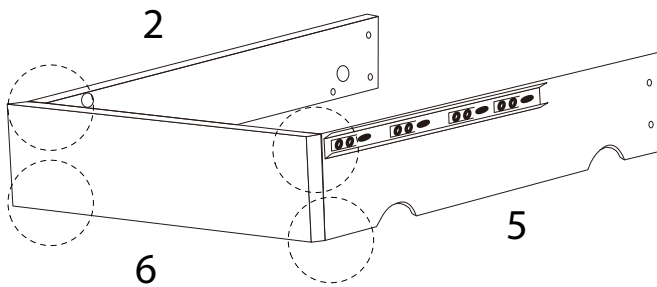


9

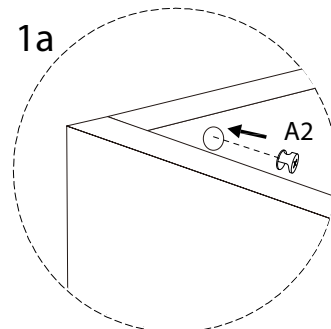
A2



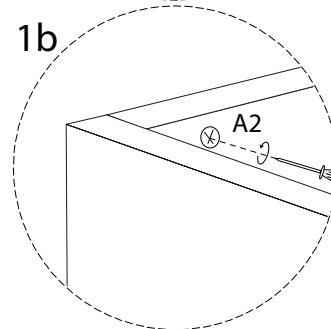
x 4



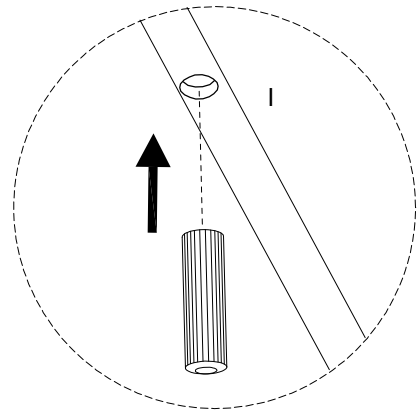
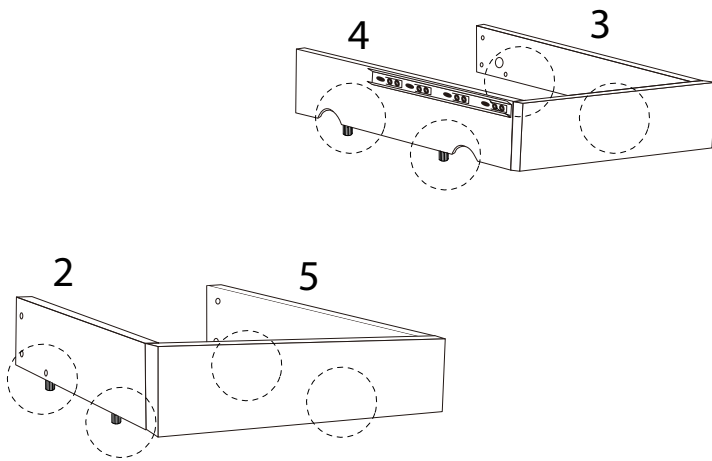
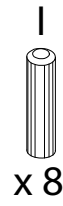
1a



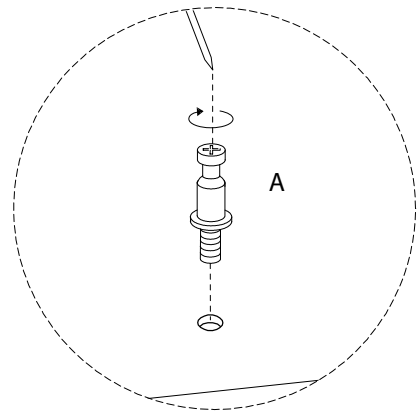
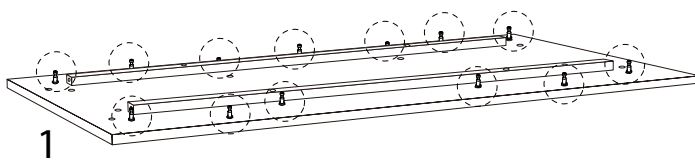
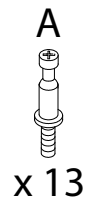
1b



10



11

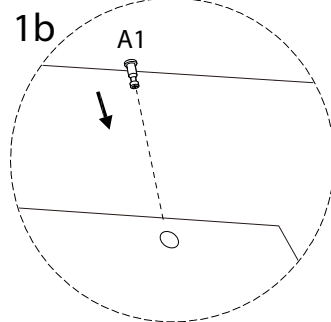
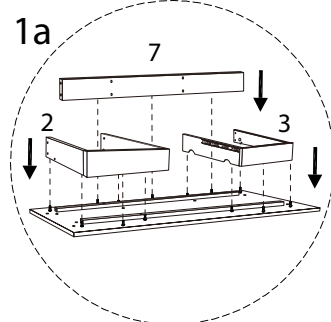
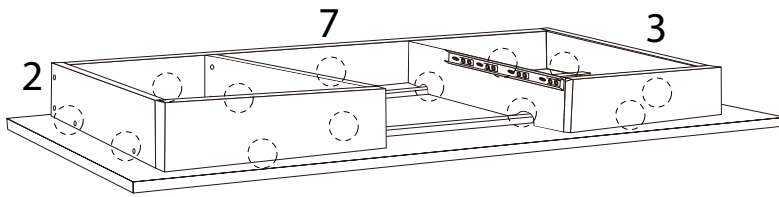


12

7



x 1

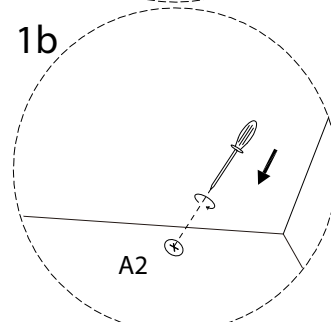
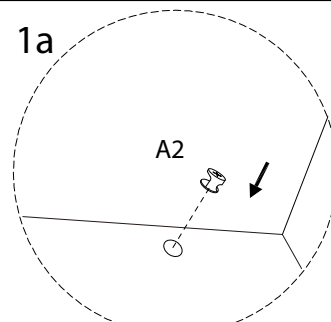
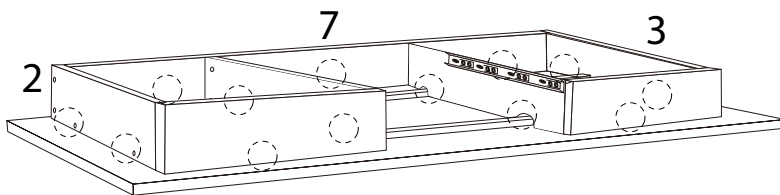


13

A2

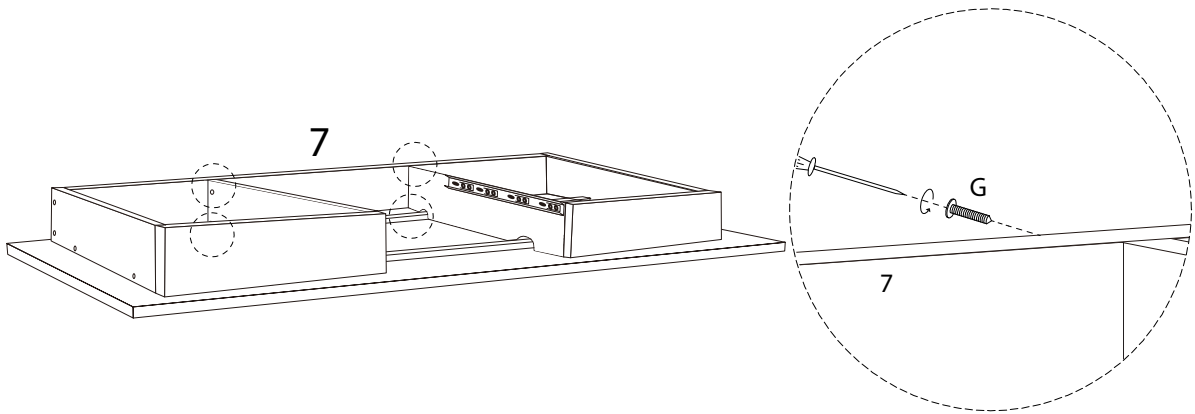


x 13



14

G
M5
x
50
x 4

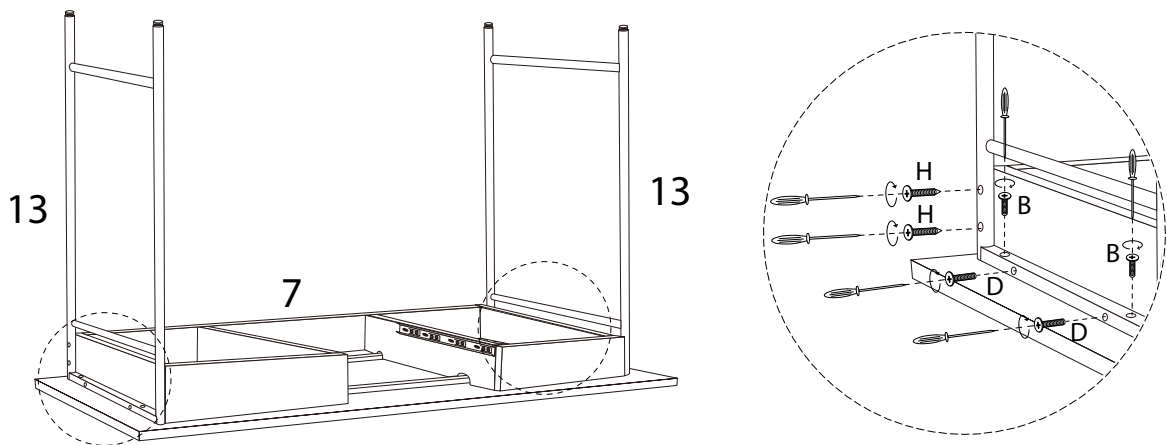


15

B
M6
x
25
x 4

D
M6
x
45
x 4

H
M5
x
70
x 4



16

14



x 2

C

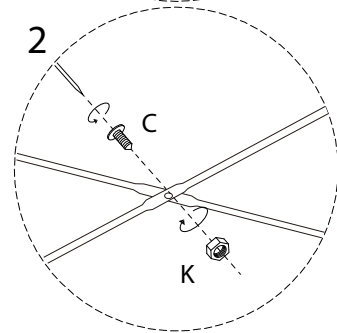
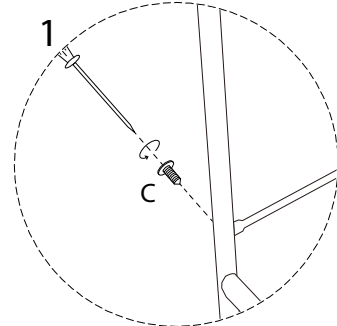
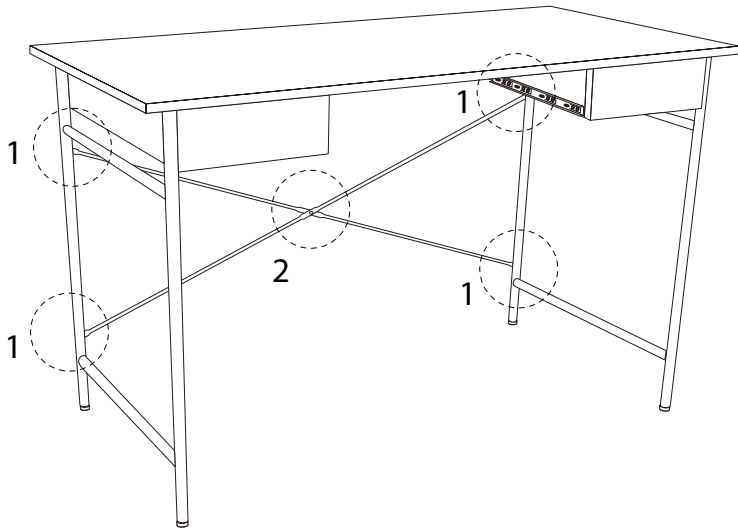


x 5

K

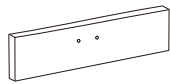


x 1



17

8

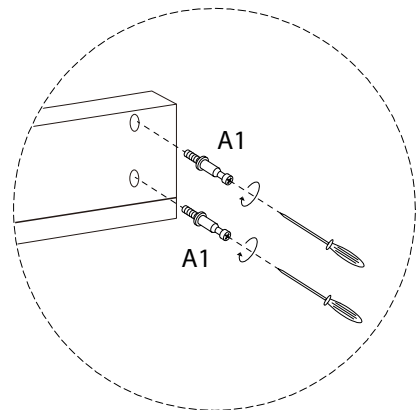
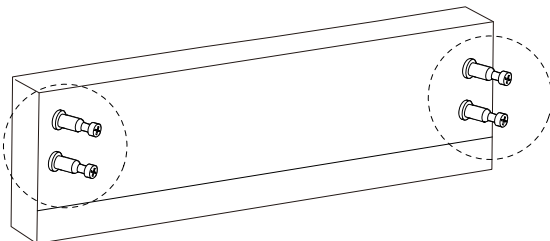


x 1

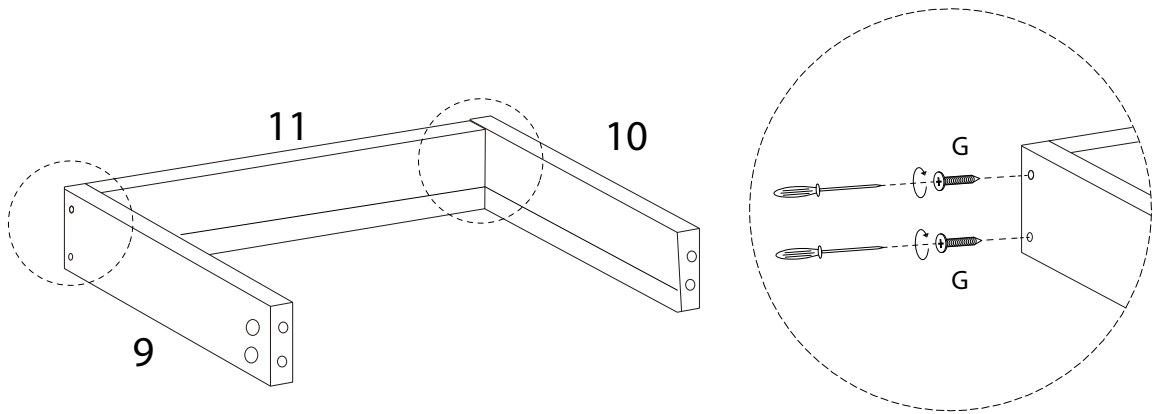
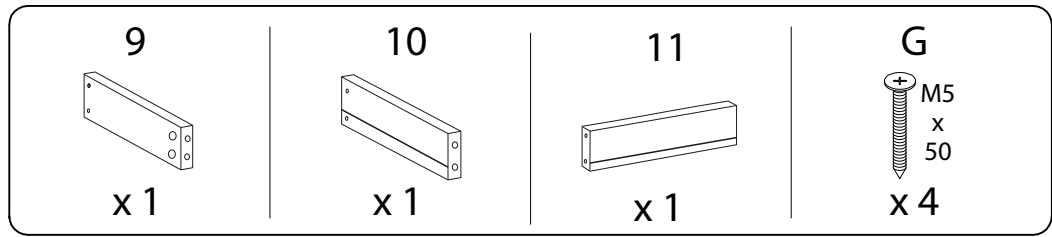
A1



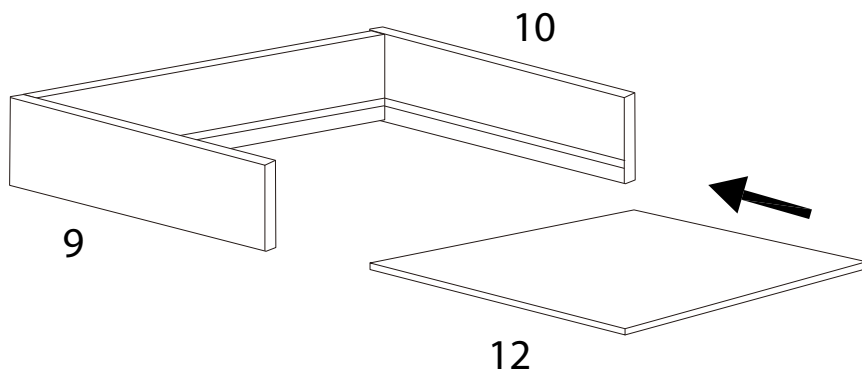
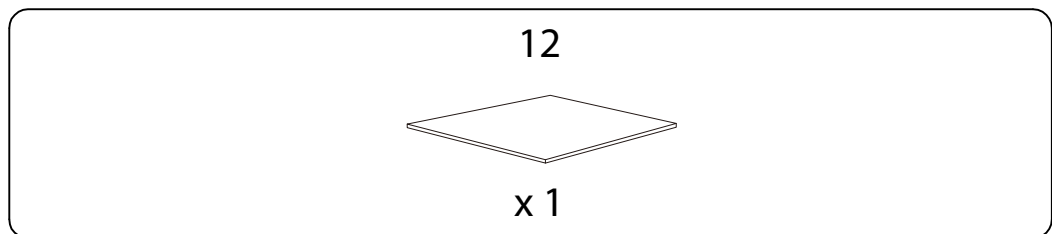
x 4



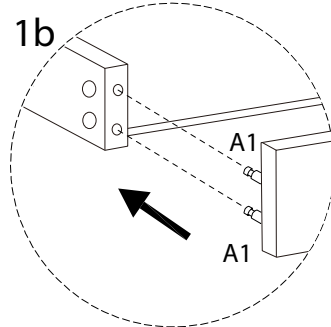
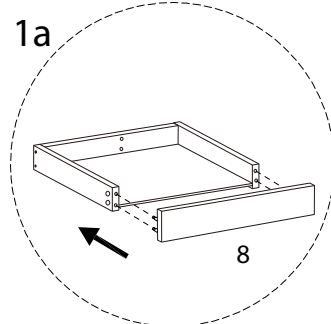
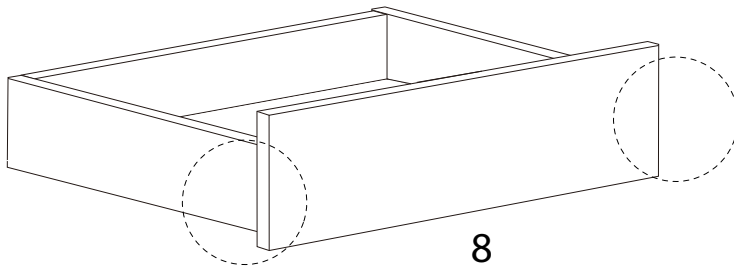
18



19



20

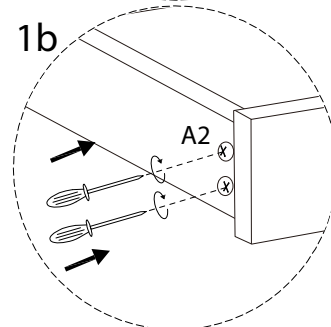
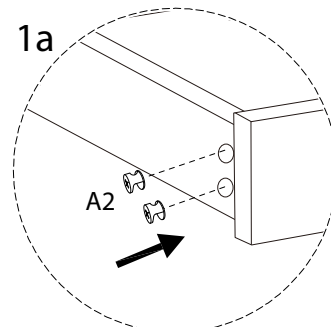
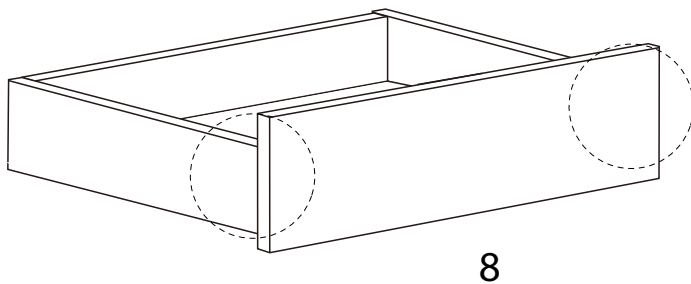


21

A2



x 4



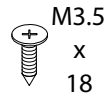
22

N

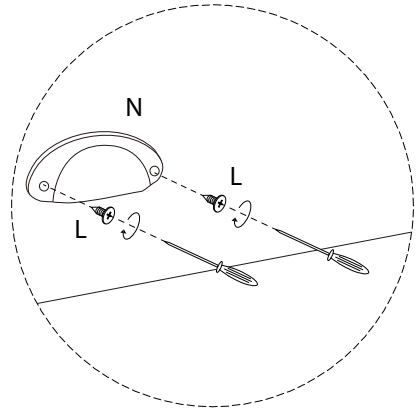
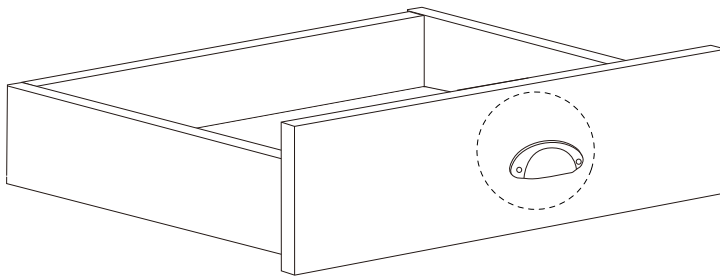


x 1

L



x 2



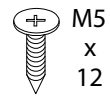
23

E2

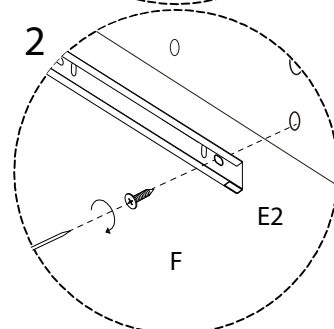
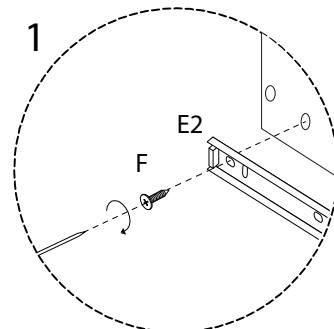
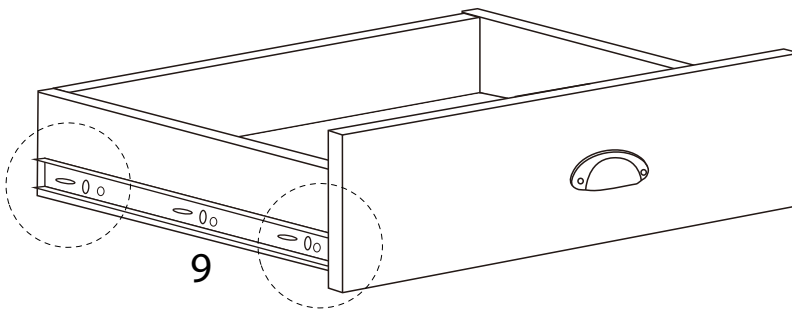


x 1

F



x 2



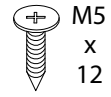
24

E2

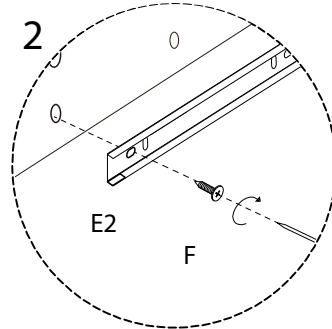
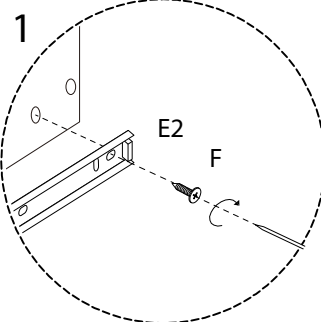
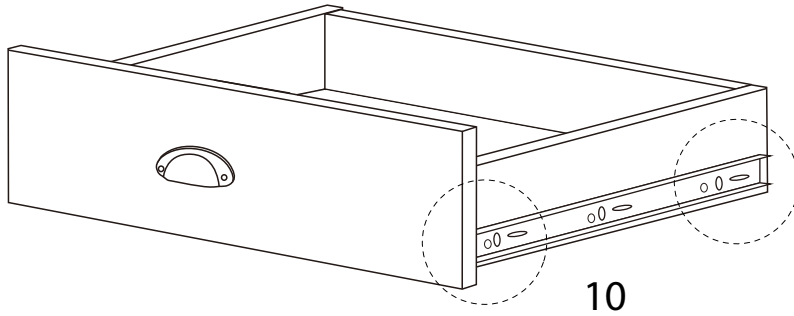


x 1

F



x 2



20

