

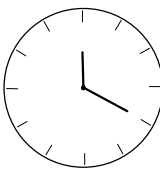
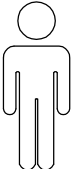


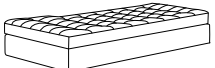
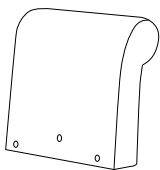
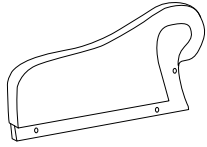
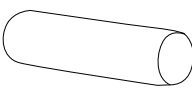
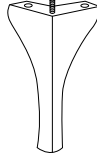
Assembly instructions for the chaise longue, including safety warnings, estimated time, and person count.

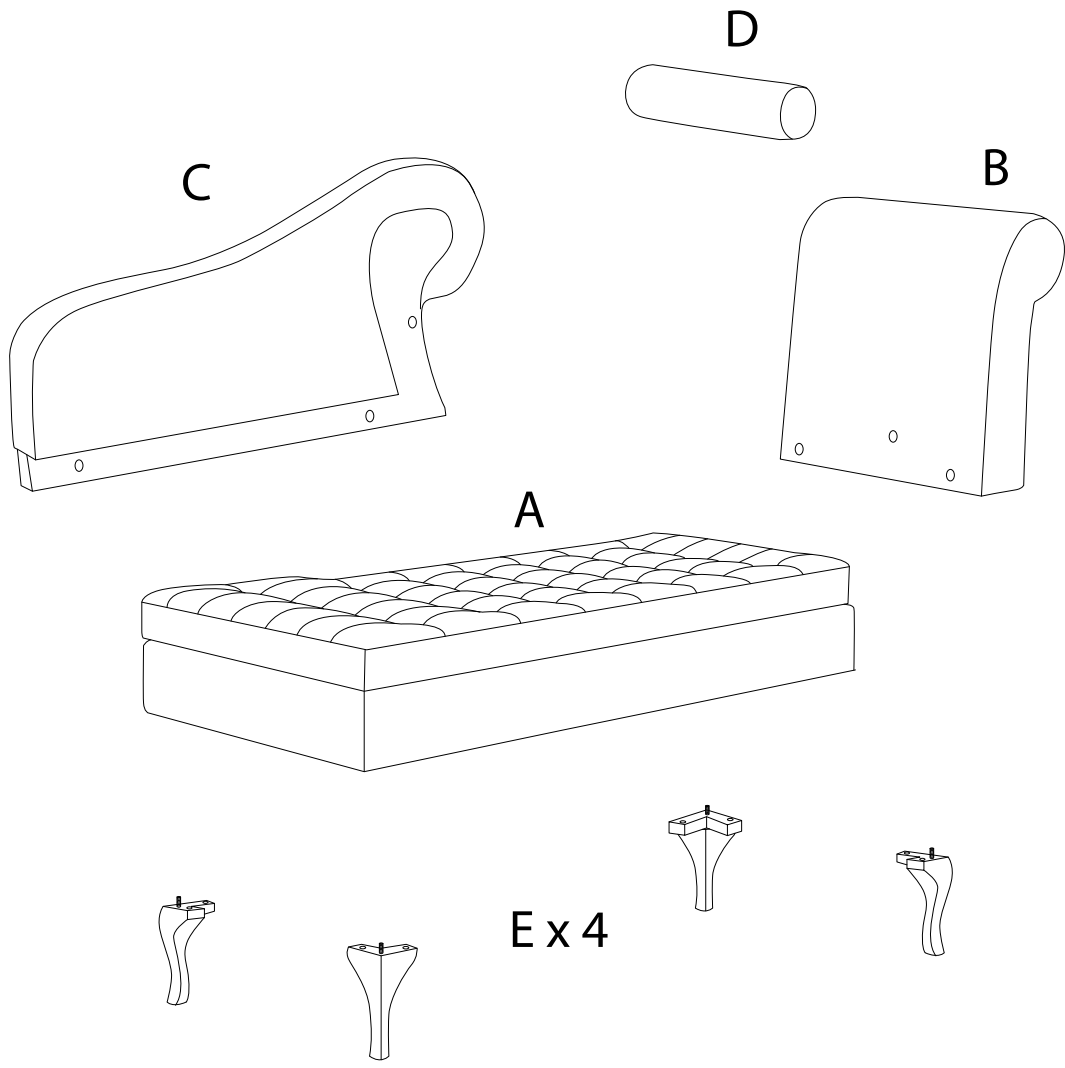
**Warning 1:** Do not use a power drill. Use an Allen key (shown in a circle) to tighten the screws. 

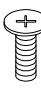


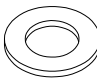
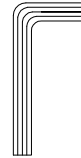
**Warning 2:** Do not use a power drill to tighten the screws. Use a screwdriver (shown in a circle) to tighten the screws. 

**Estimated Time:** 20' 

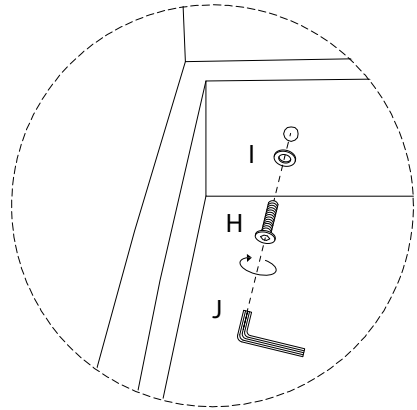
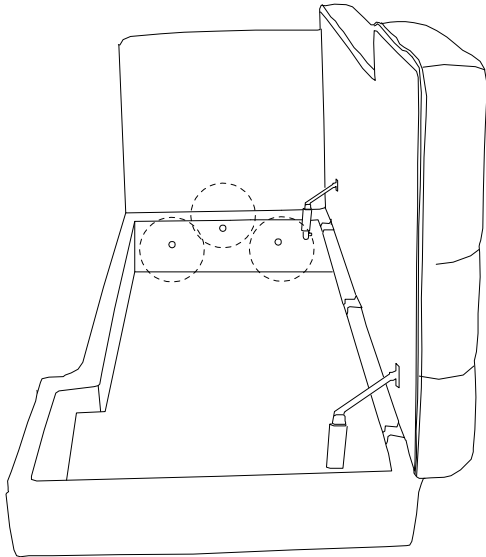
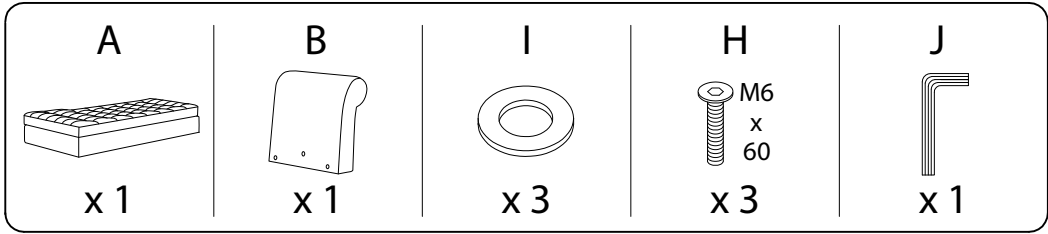
**Person Count:** 1 

<b>A</b>	<b>B</b>	<b>C</b>	<b>D</b>	<b>E</b>
				
<b>x 1</b>	<b>x 1</b>	<b>x 1</b>	<b>x 1</b>	<b>x 4</b>

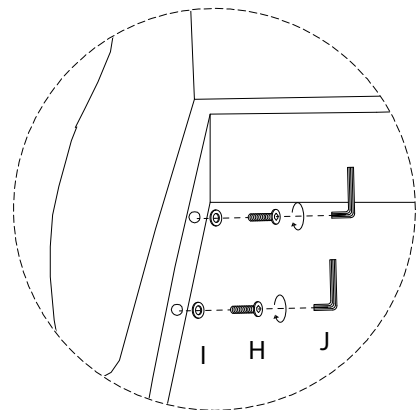
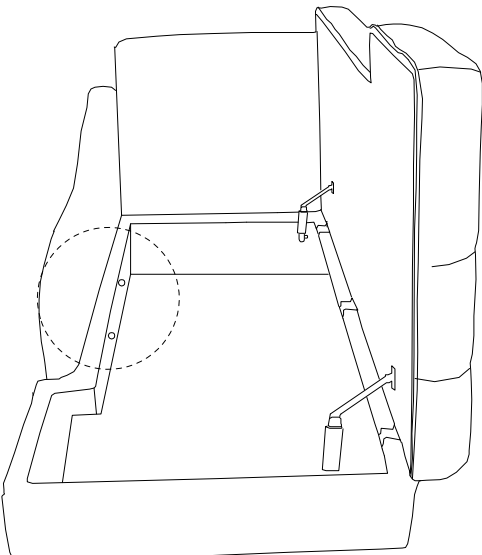


<b>F</b>	<b>G</b>	<b>H</b>	<b>I</b>	<b>J</b>
 M6 x 30	 M6 x 40	 M6 x 60		
<b>x 8</b>	<b>x 1</b>	<b>x 5</b>	<b>x 6</b>	<b>x 1</b>

1



2



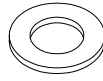
3

G



x 1

I

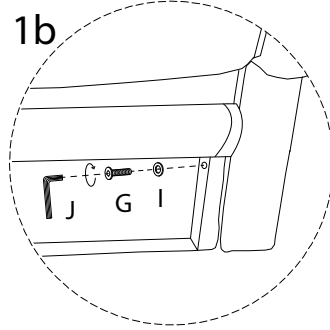
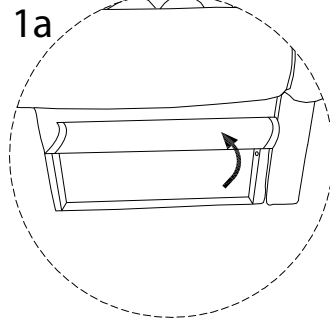
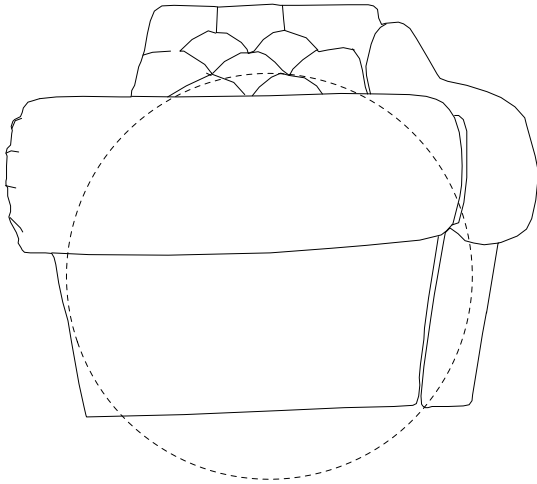


x 1

J

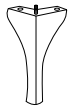


x 1



4

E



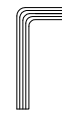
x 4

F

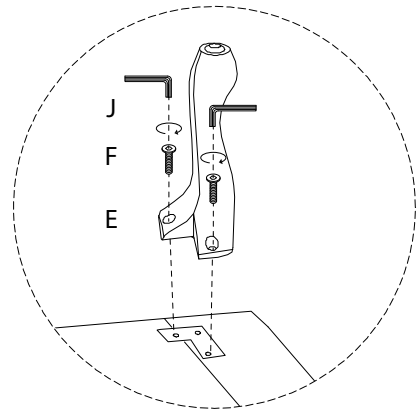
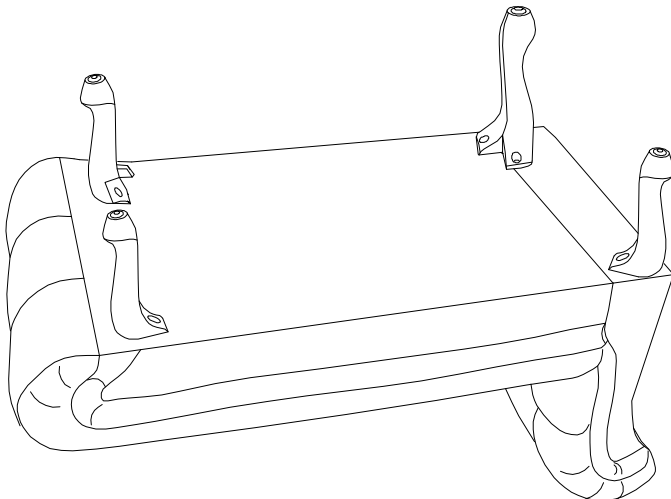


x 8

J

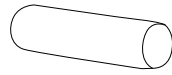


x 1



5

D



x1

