
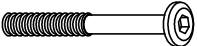




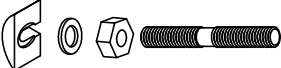

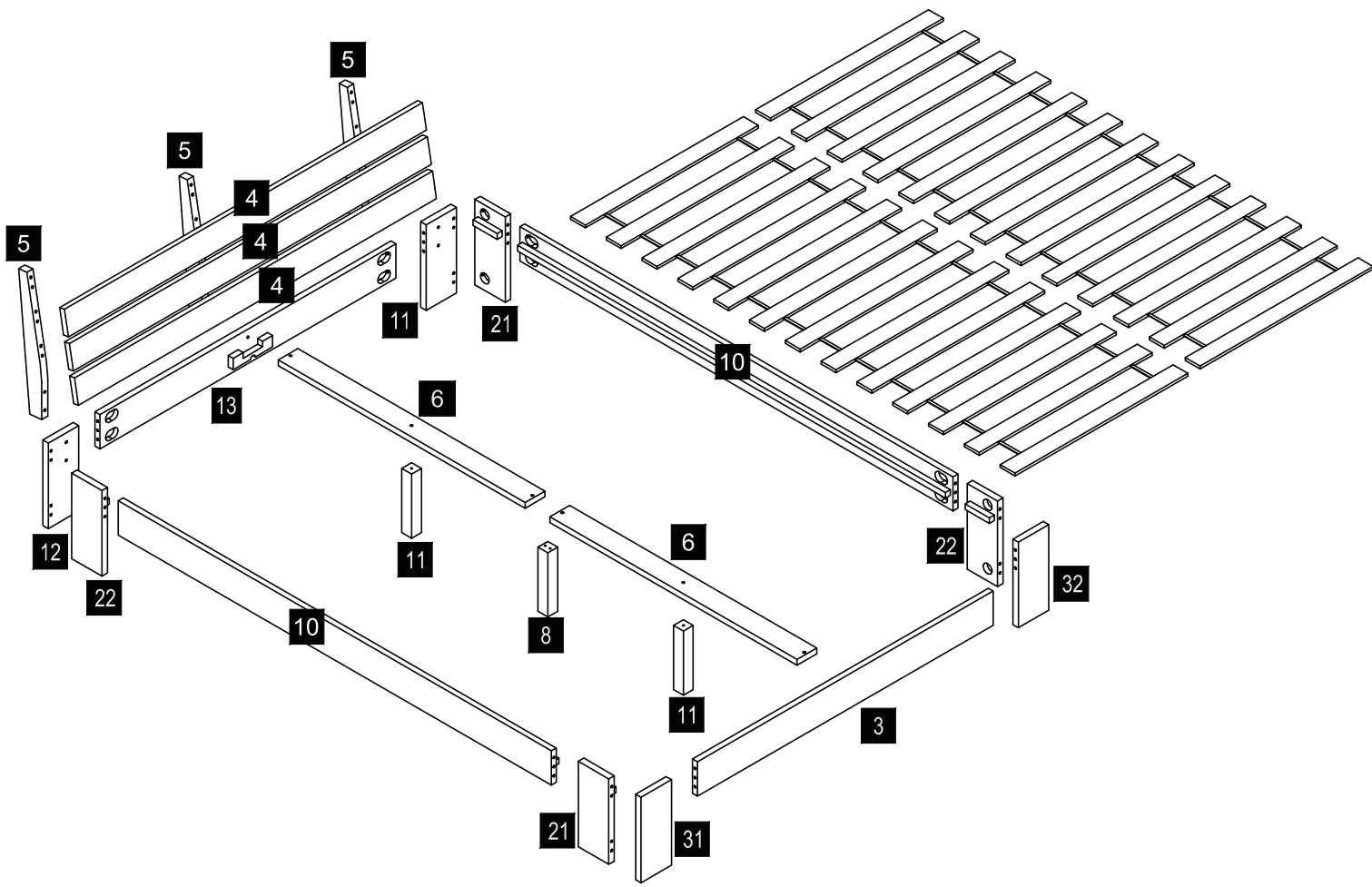
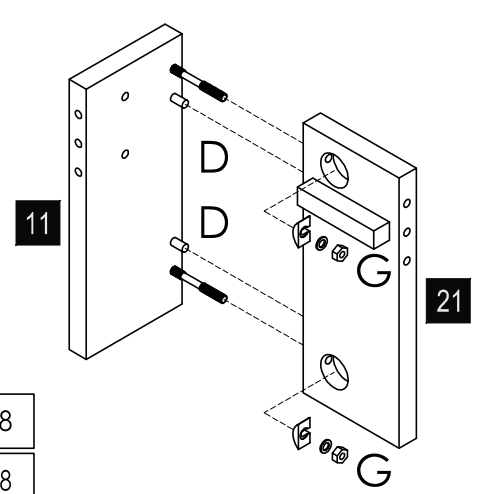
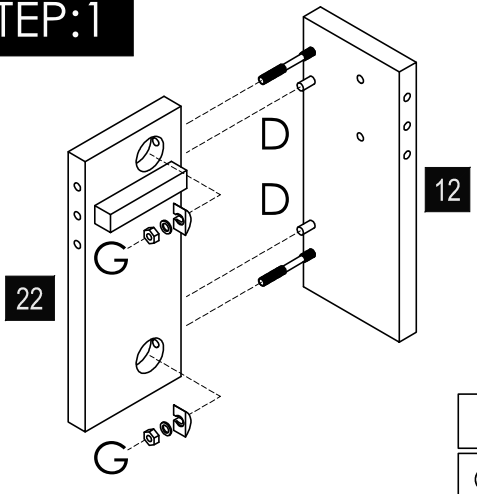


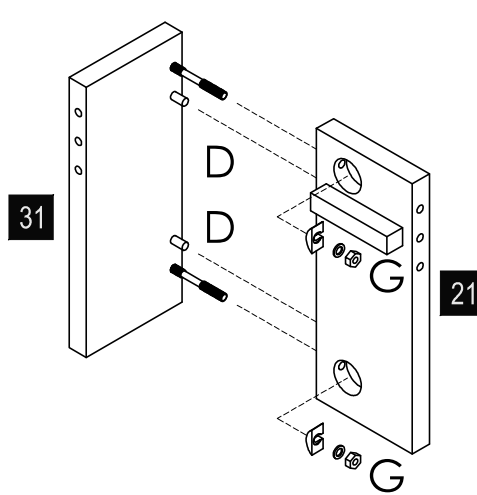
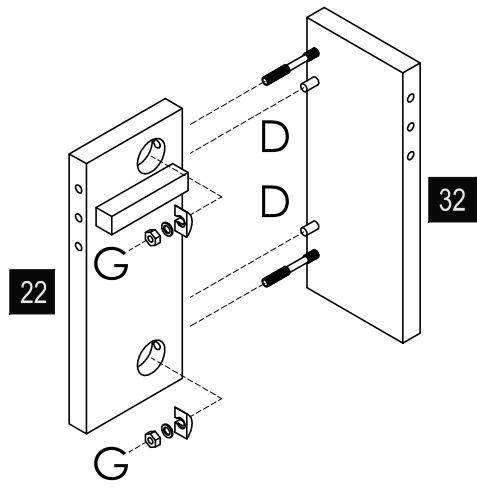
A		4*30	54
B		M6*40	18
C			2
D		Φ8*30	16
E		Φ7*60	4
F		M6*60	6
G		M6*60	24
H			1




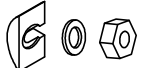
STEP:1

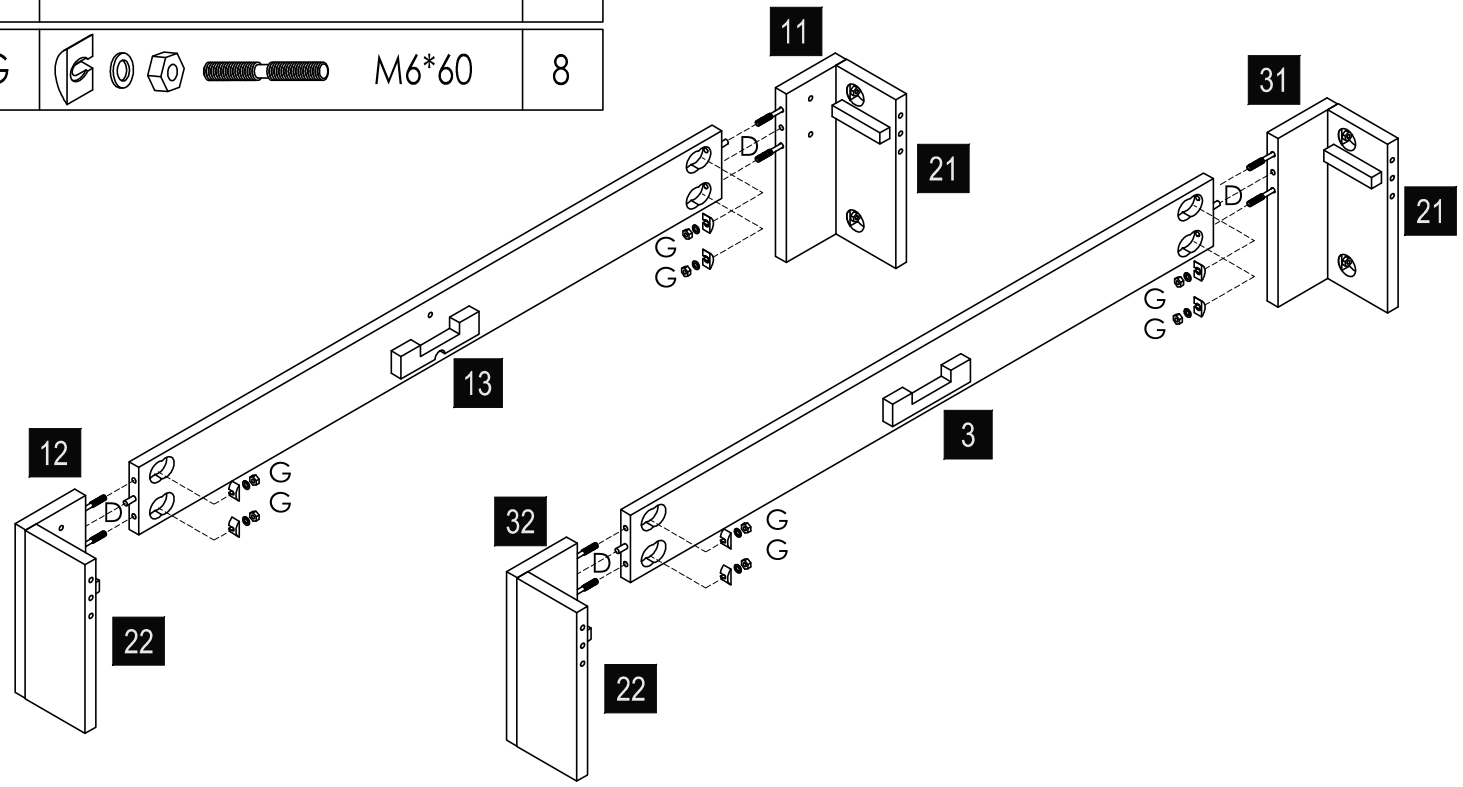


D		$\Phi 8*30$	8
G		M6*60	8



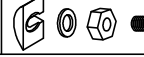


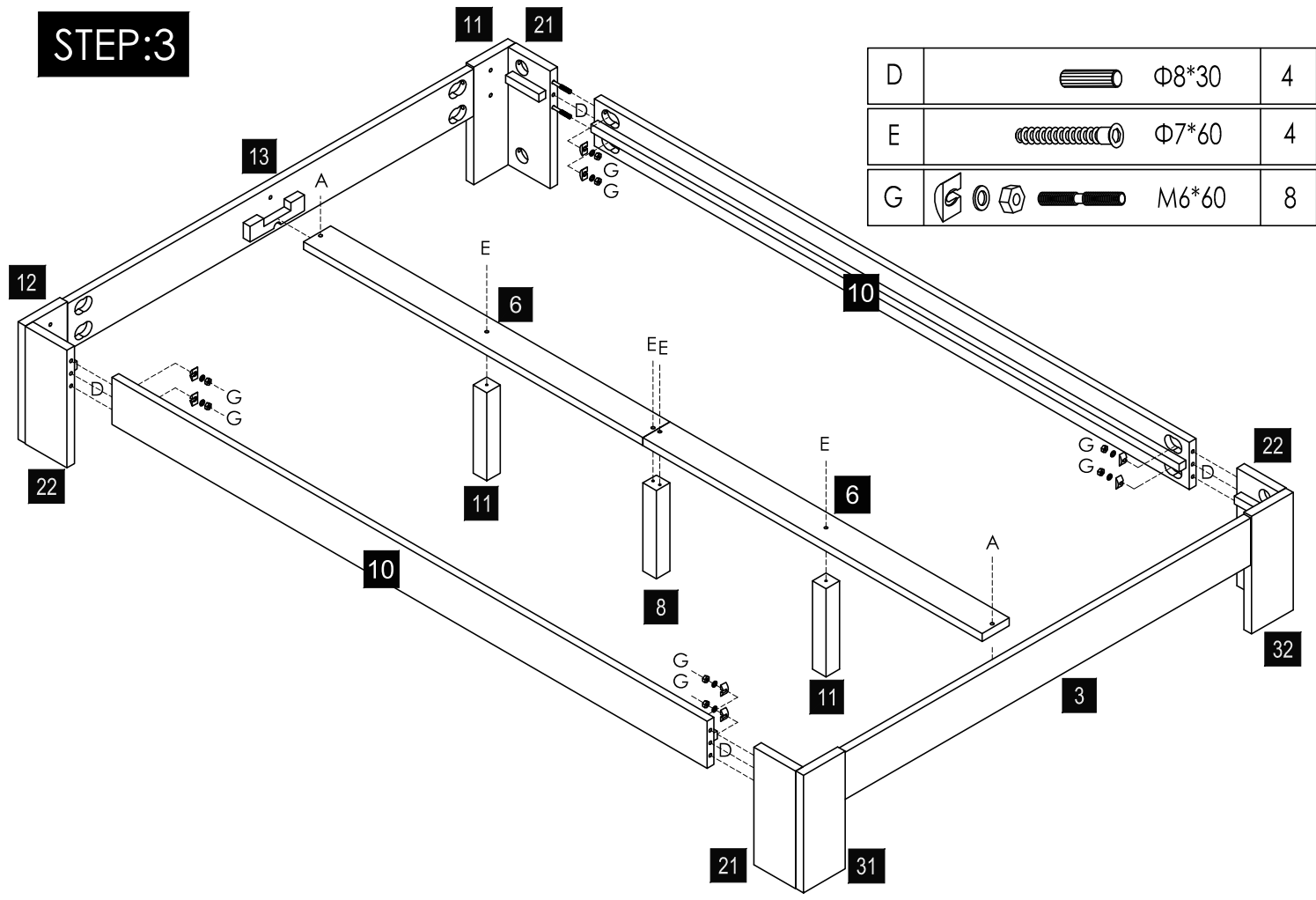
STEP:2

D		$\Phi 8*30$	4
G		M6*60	8





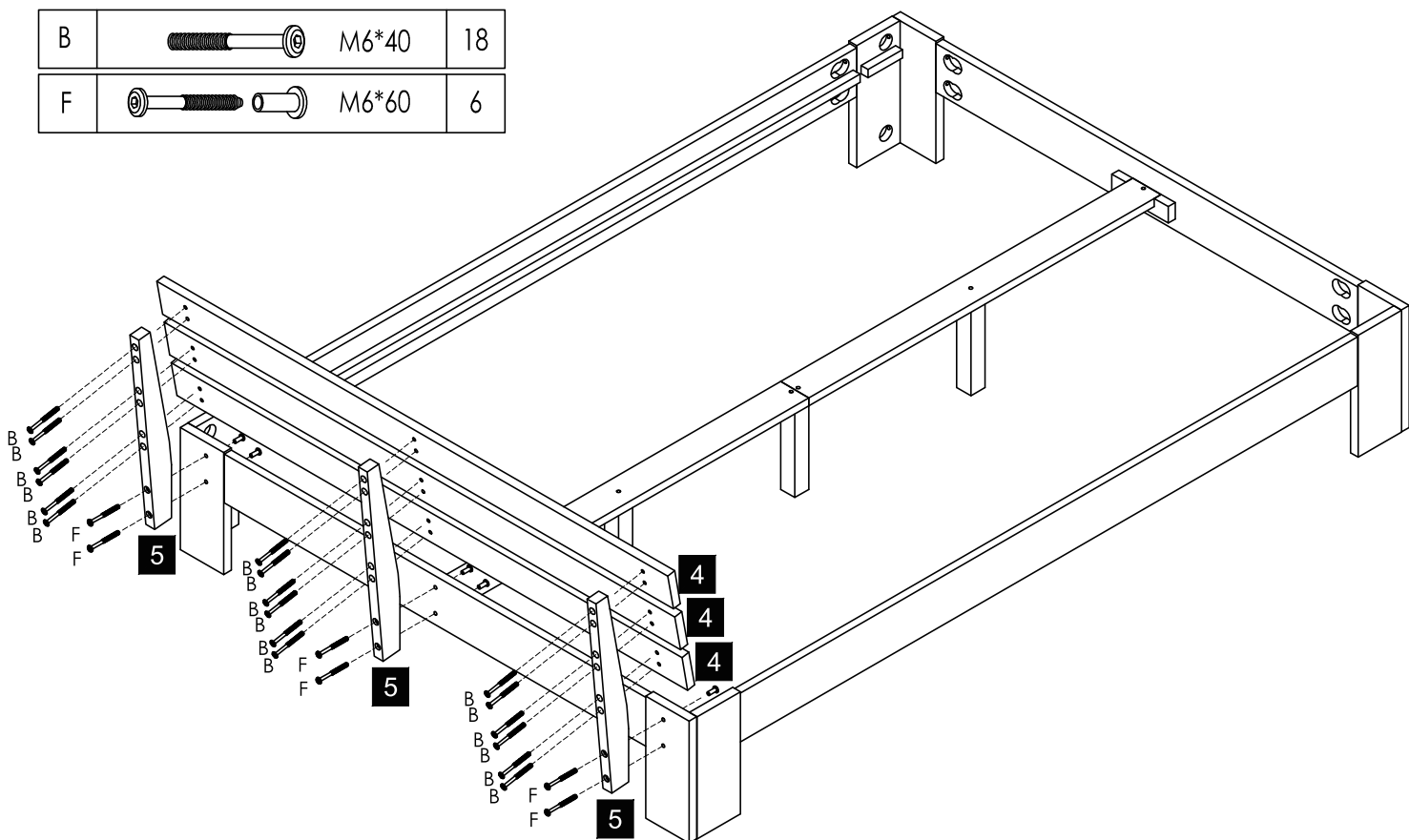
STEP:3

D		$\Phi 8*30$	4
E		$\Phi 7*60$	4
G		M6*60	8




STEP:4

B		M6*40	18
F		M6*60	6



STEP:5

A		4*30	52
---	---	------	----

