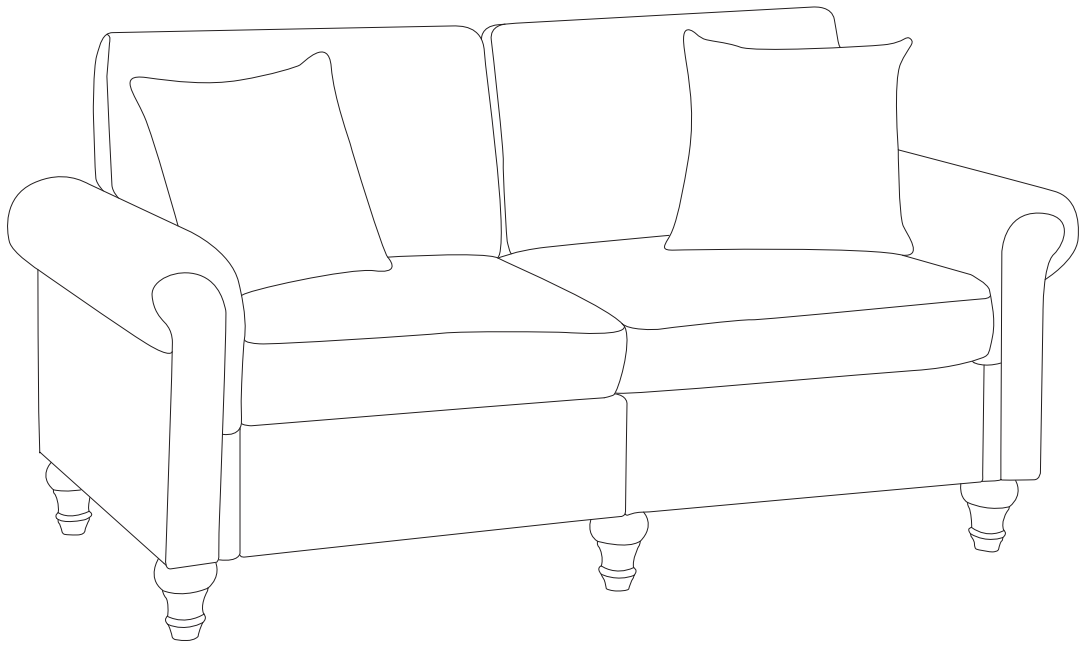


GINNERUP



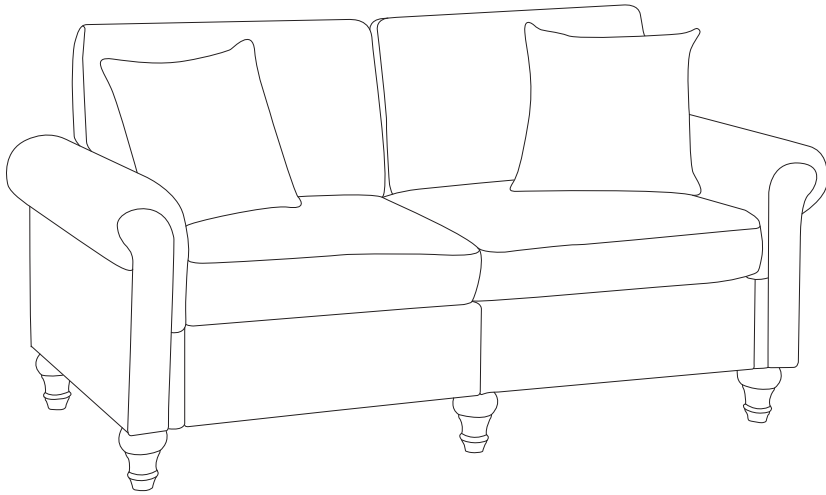
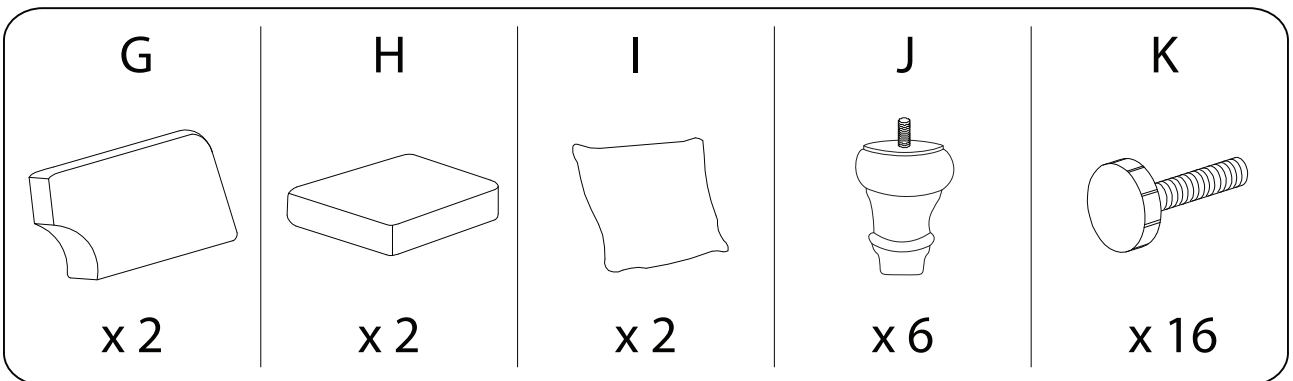
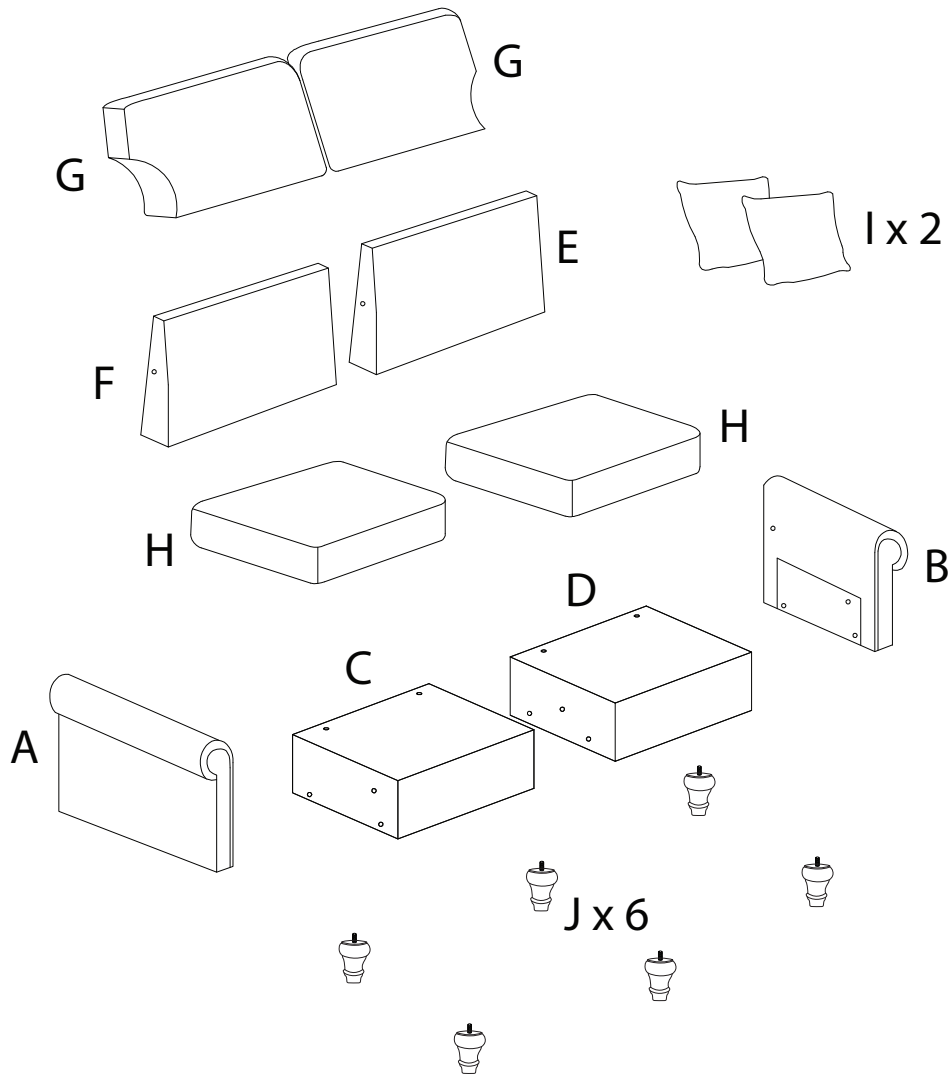
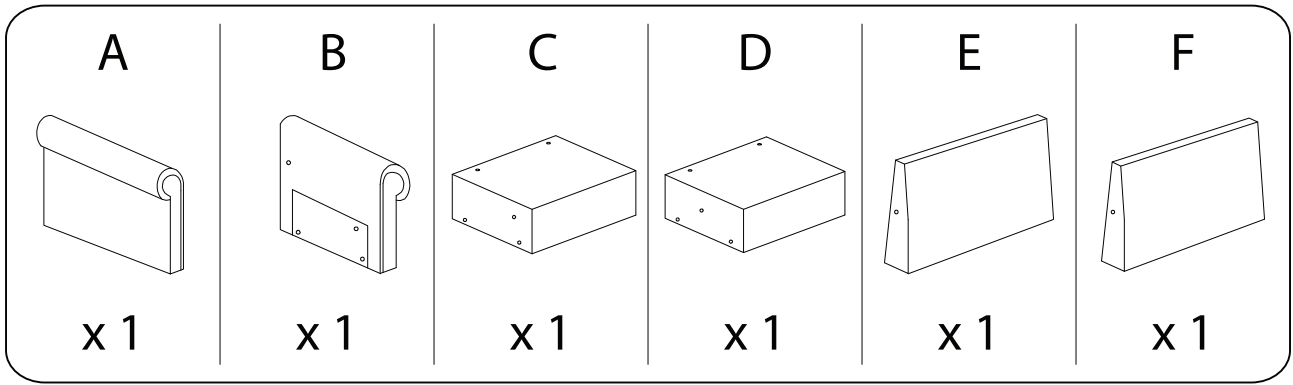
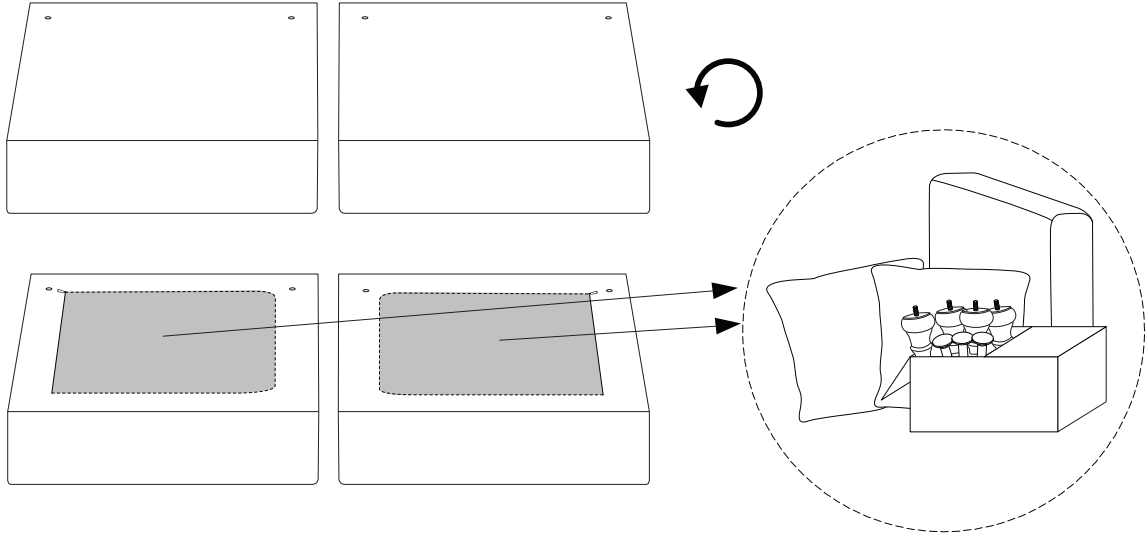


Diagram illustrating assembly instructions and warnings:

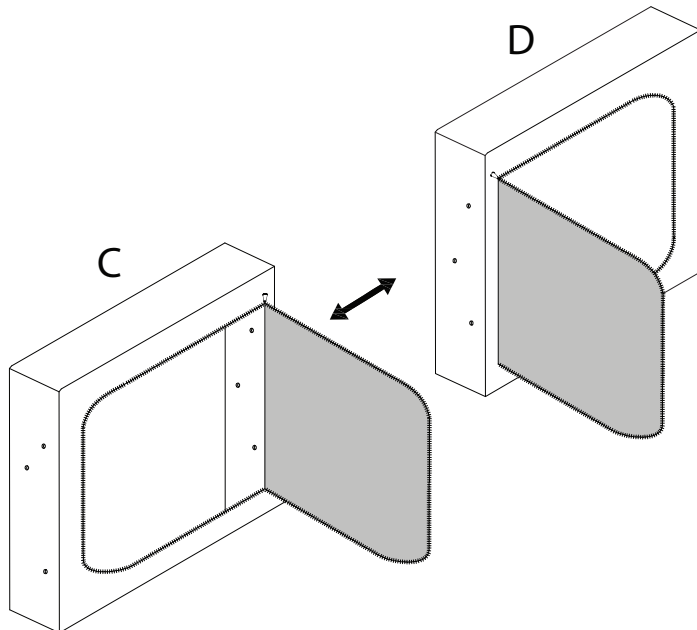
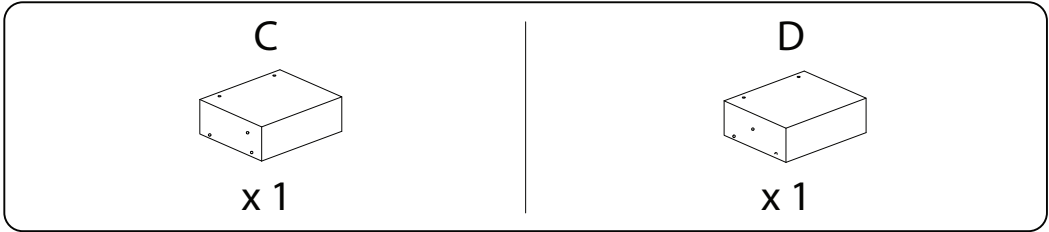
- Warning 1:** A crossed-out power drill icon indicates that a power drill should not be used for this step.
- Warning 2:** A crossed-out icon of a block being drilled from the bottom indicates that drilling should not be performed from the underside.
- Time:** A clock icon with the text "30'" indicates that this step should take approximately 30 minutes.
- Personnel:** An icon of a person with the number "2" below it indicates that two people are required for this step.



!

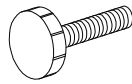


1

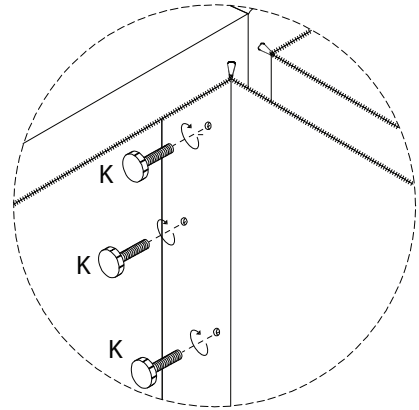
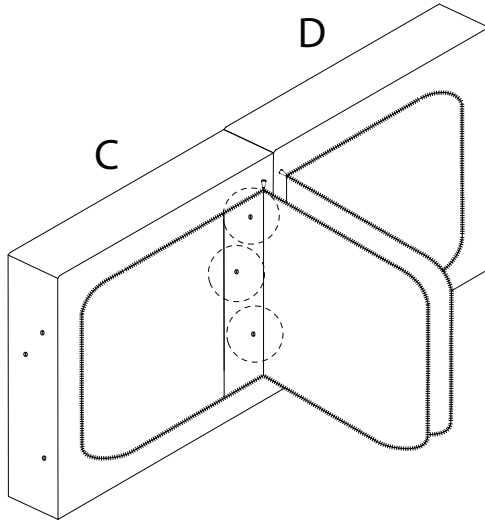


2

K

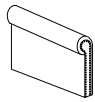


x 3



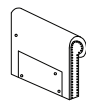
3

A



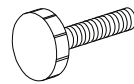
x 1

B

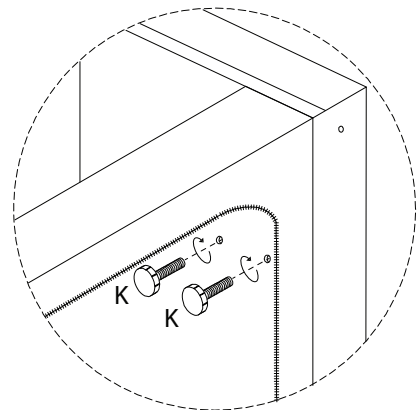
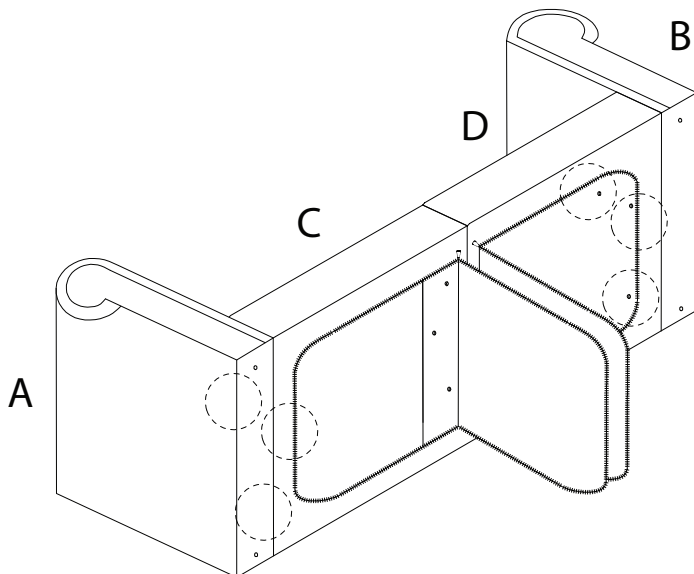


x 1

K



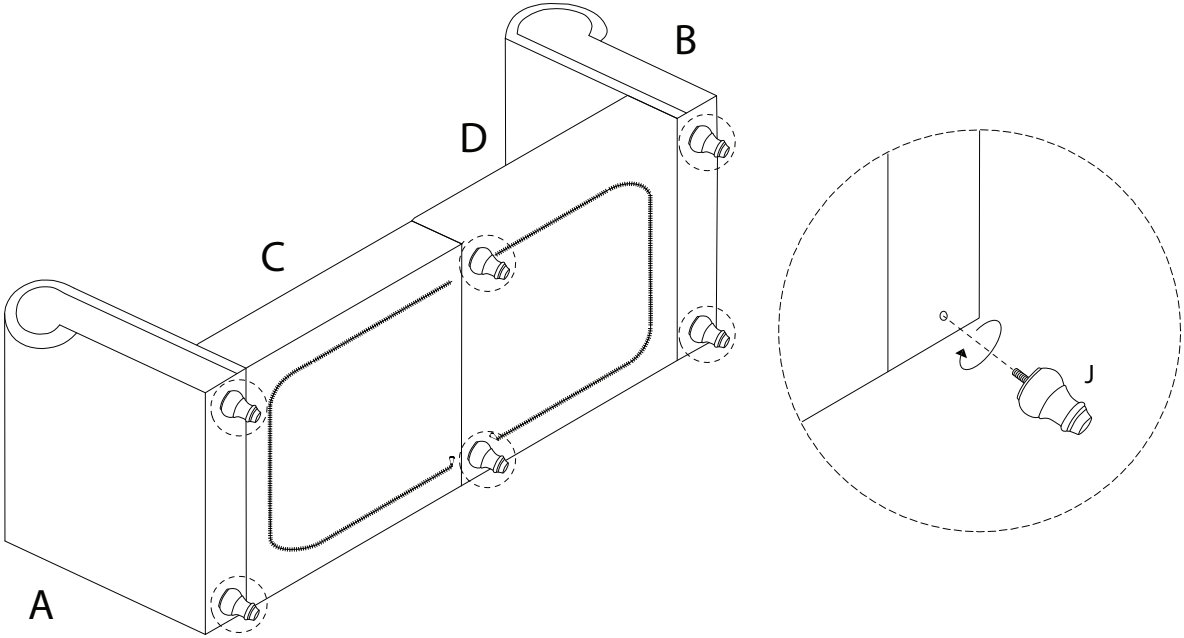
x 6



4

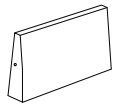


x 6



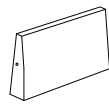
5

E



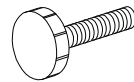
x 1

F

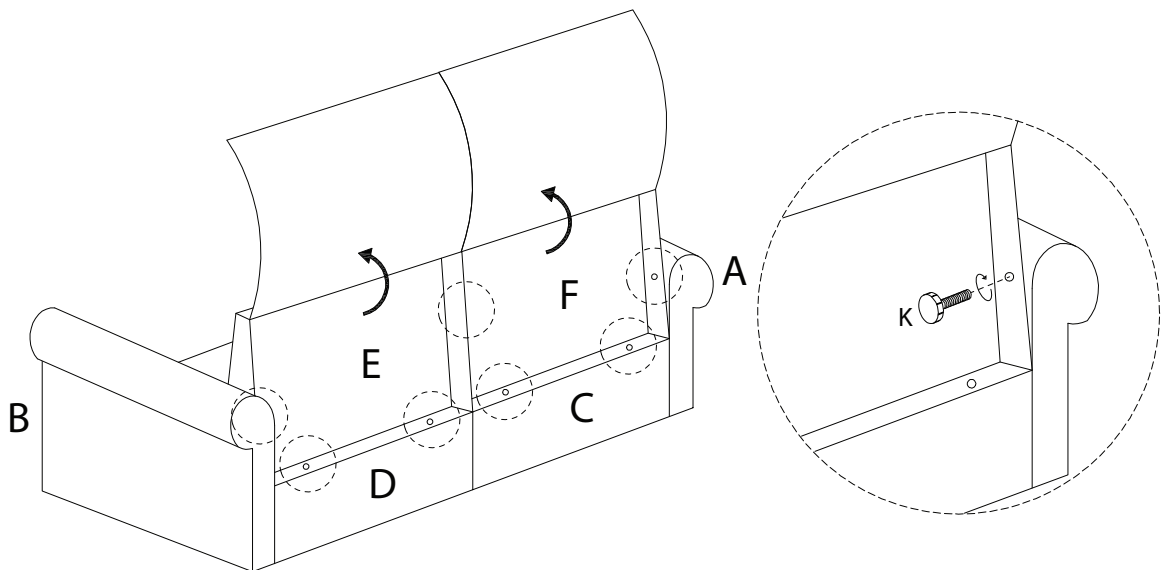


x 1

K

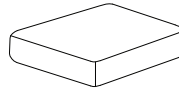


x 7

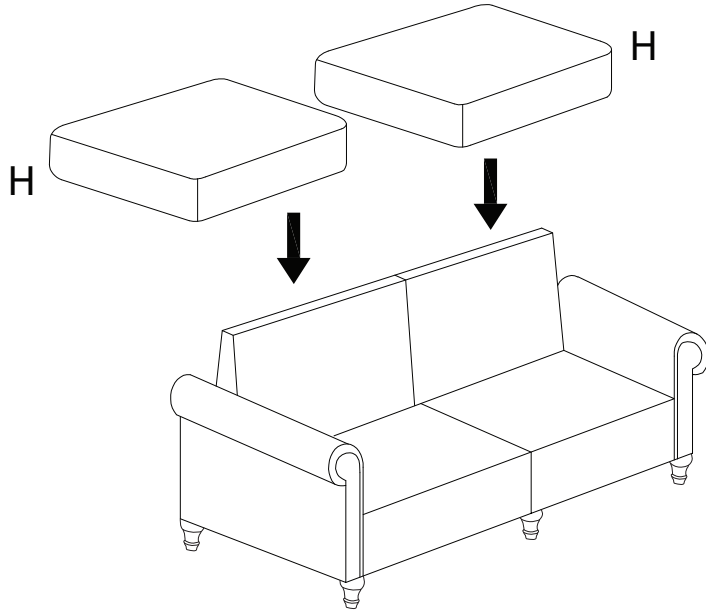


6

H

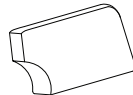


x 2

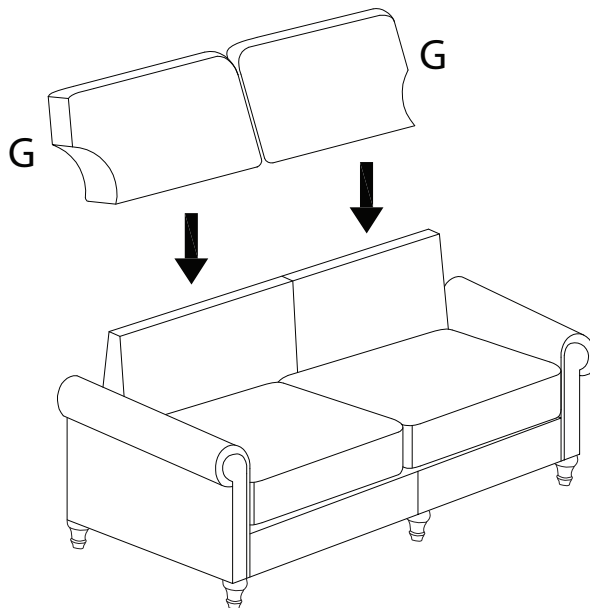


7

G



x 2



8

