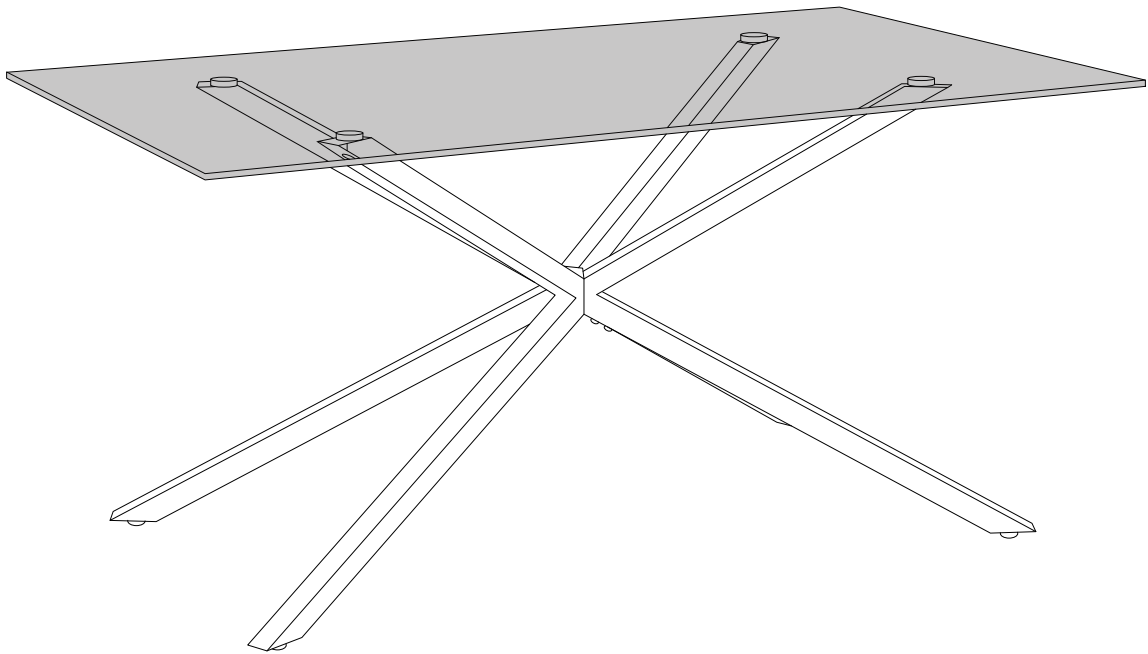
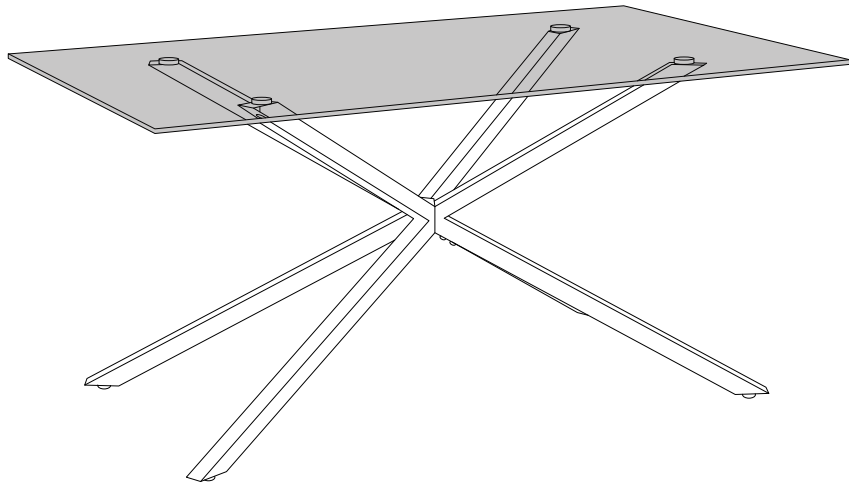
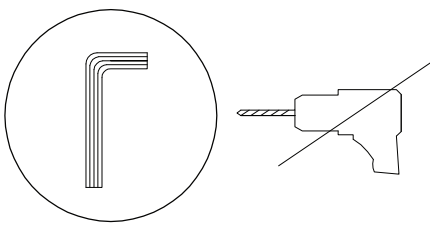

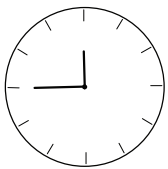
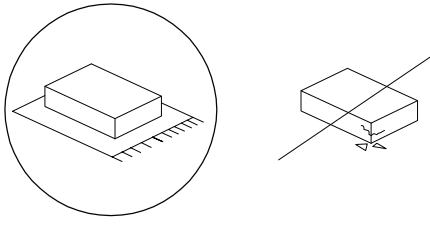

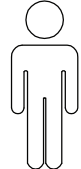
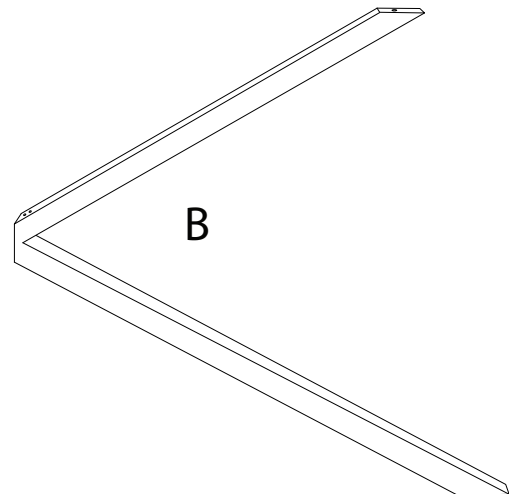
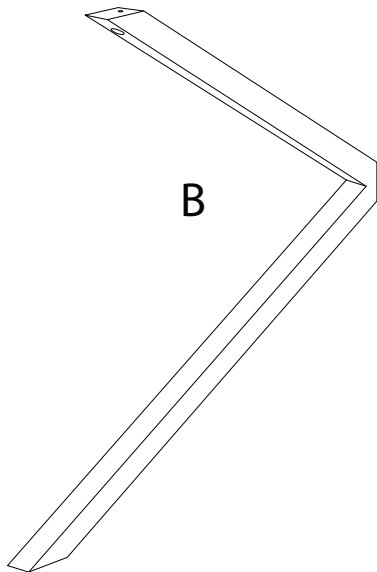
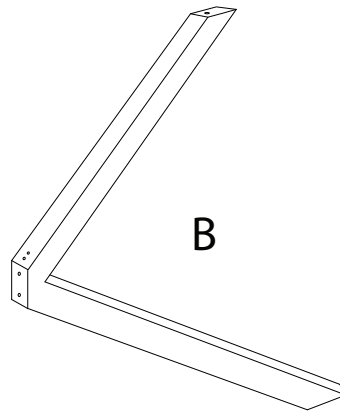
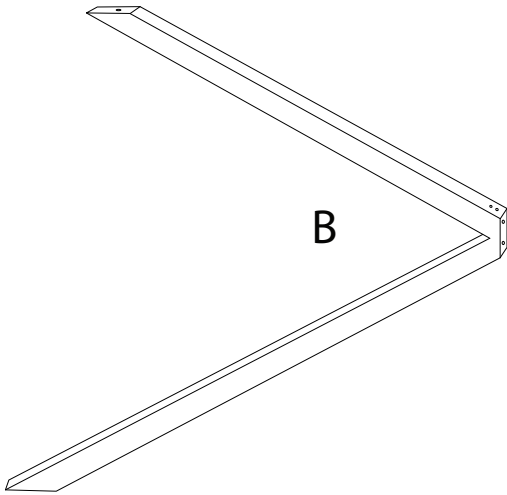
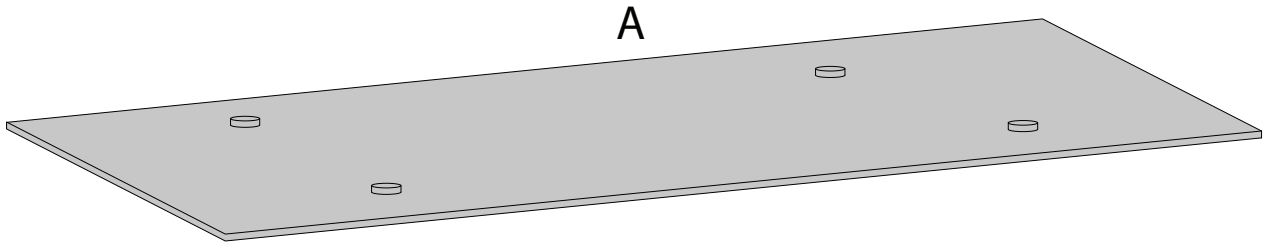


CORA

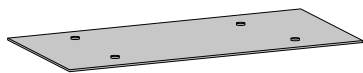




		
		<p>45'</p>
		
		<p>2</p>

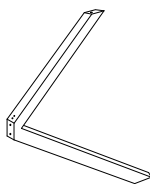


A



x 1

B



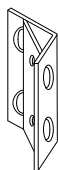
x 4

C



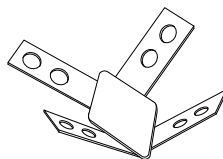
x 1

D



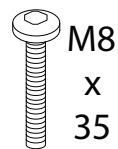
x 1

E



x 1

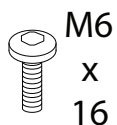
F



M8
x
35

x 2

G



M6
x
16

x 8

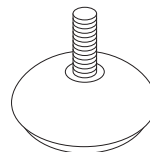
H



M8
x
8

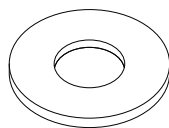
x 4

I



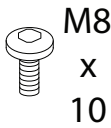
x 4

J



x 8

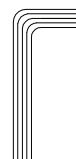
K



M8
x
10

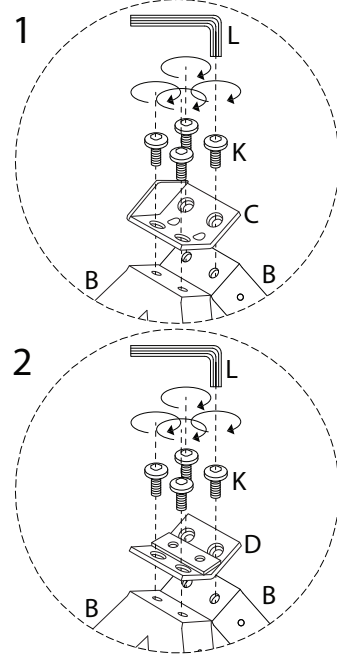
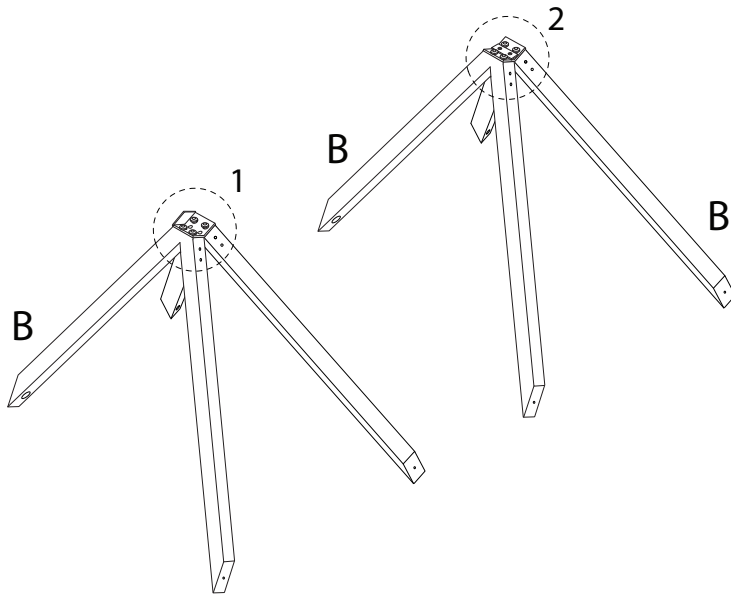
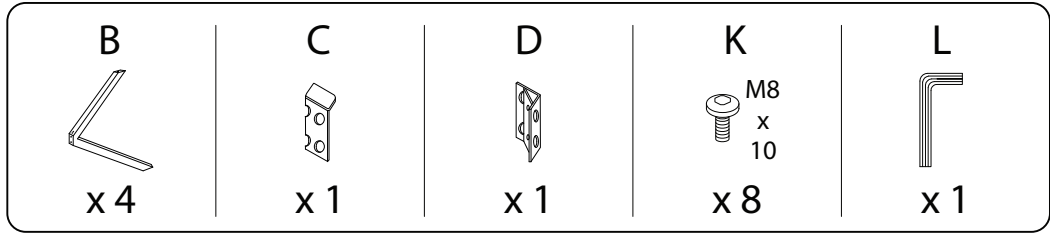
x 8

L

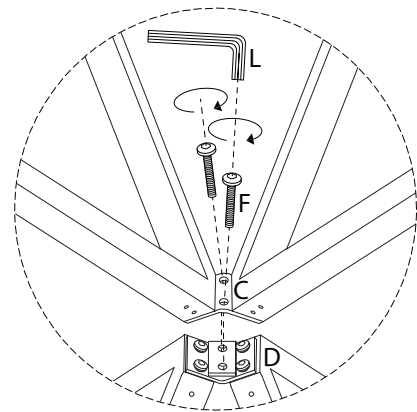
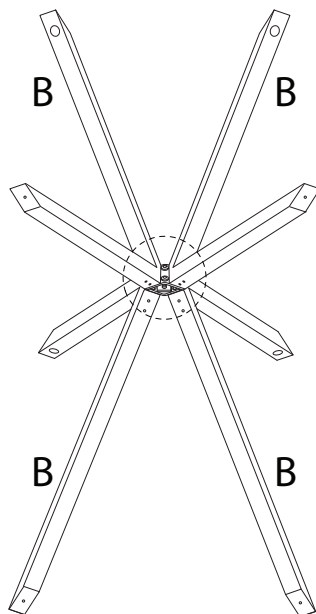
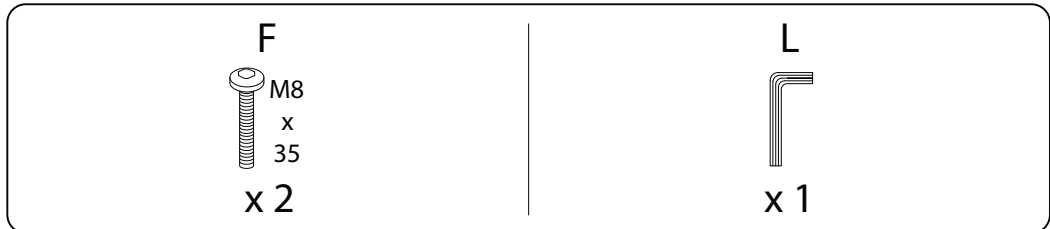


x 1

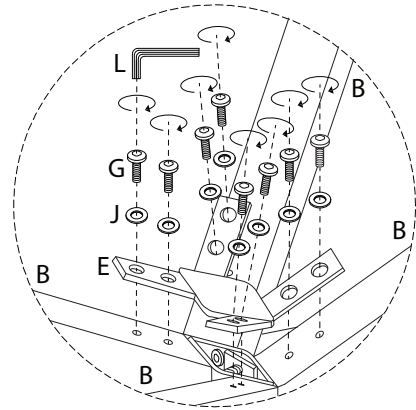
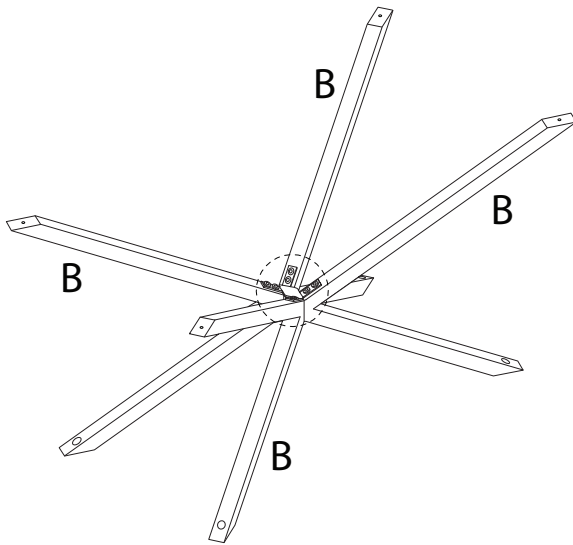
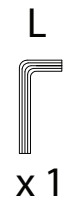
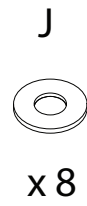
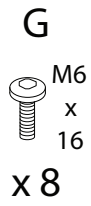
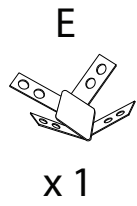
1



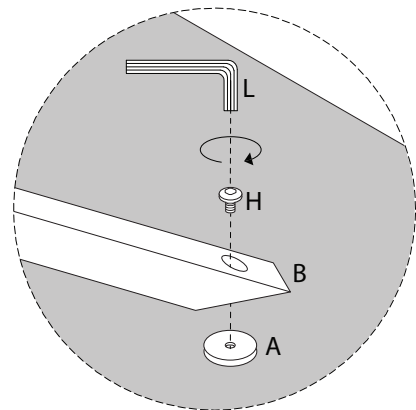
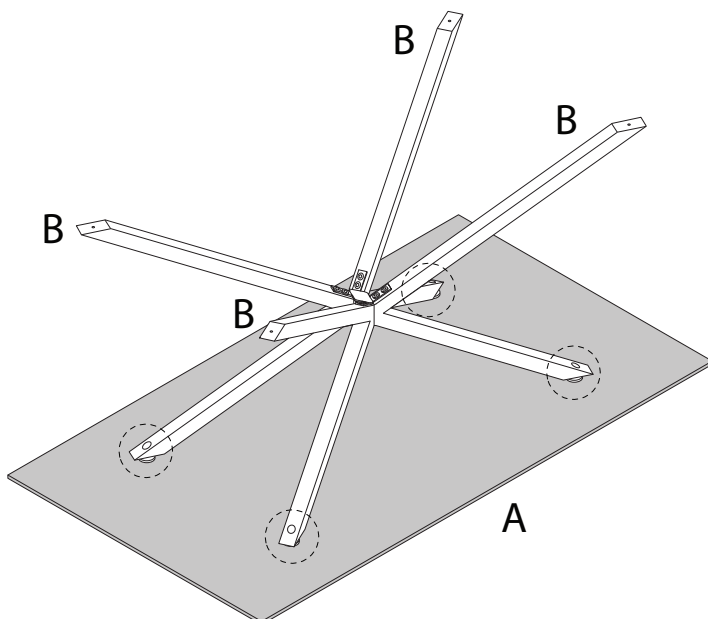
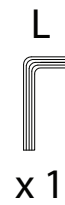
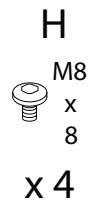
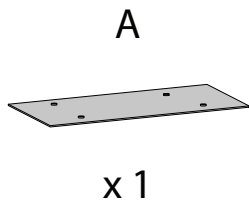
2



3



4



5

