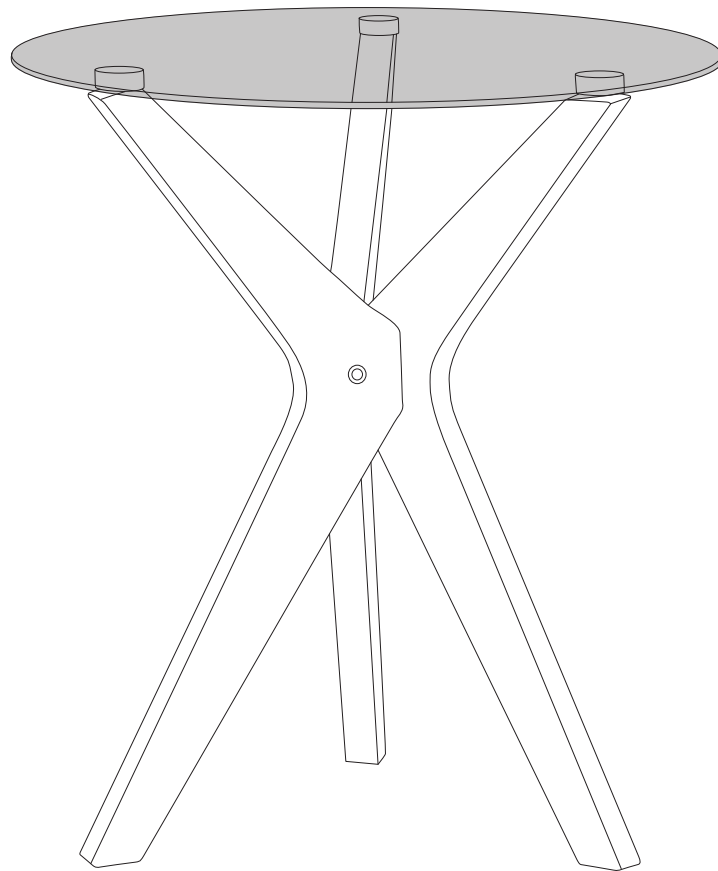
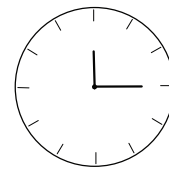
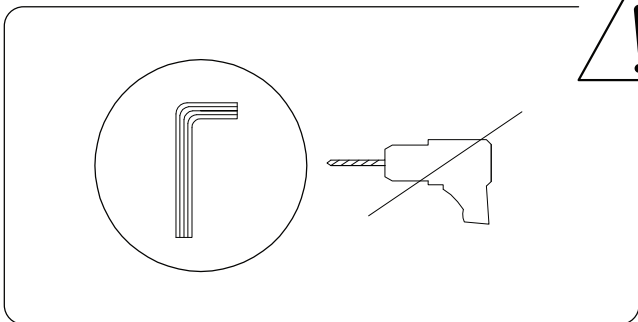
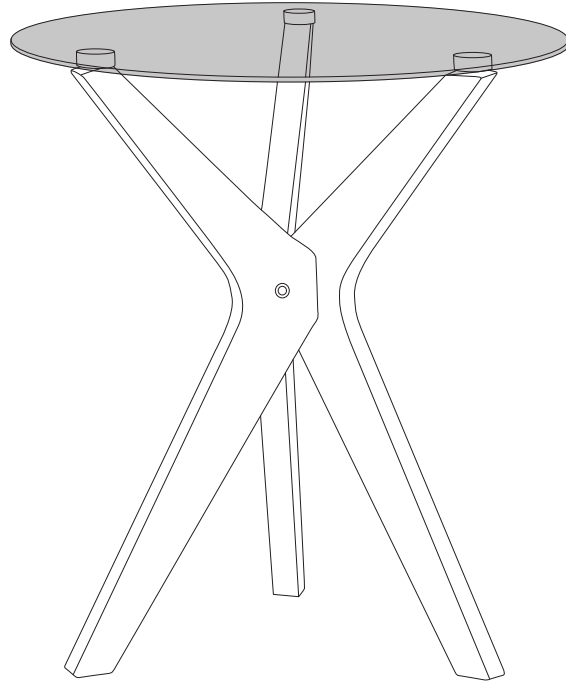
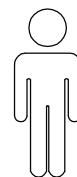
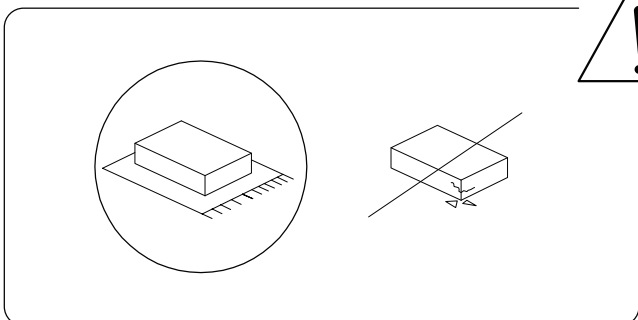


VALLEY



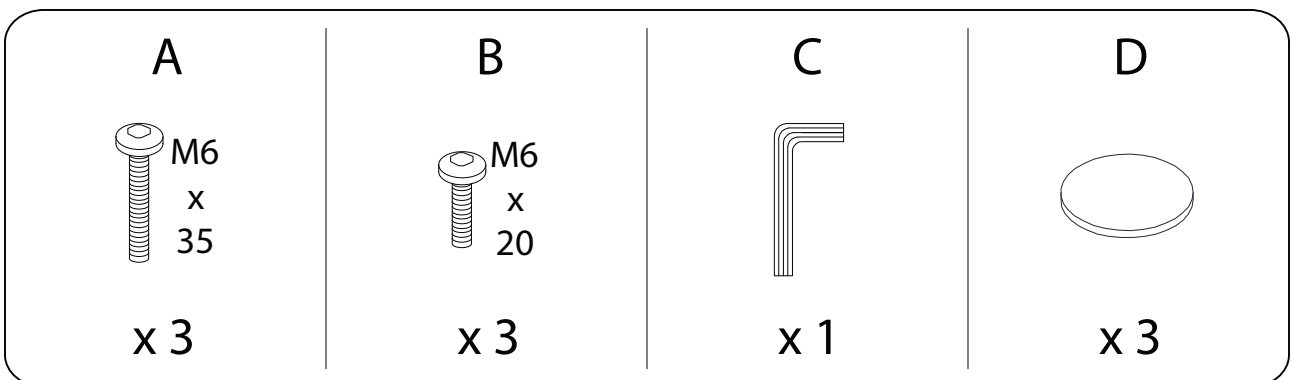
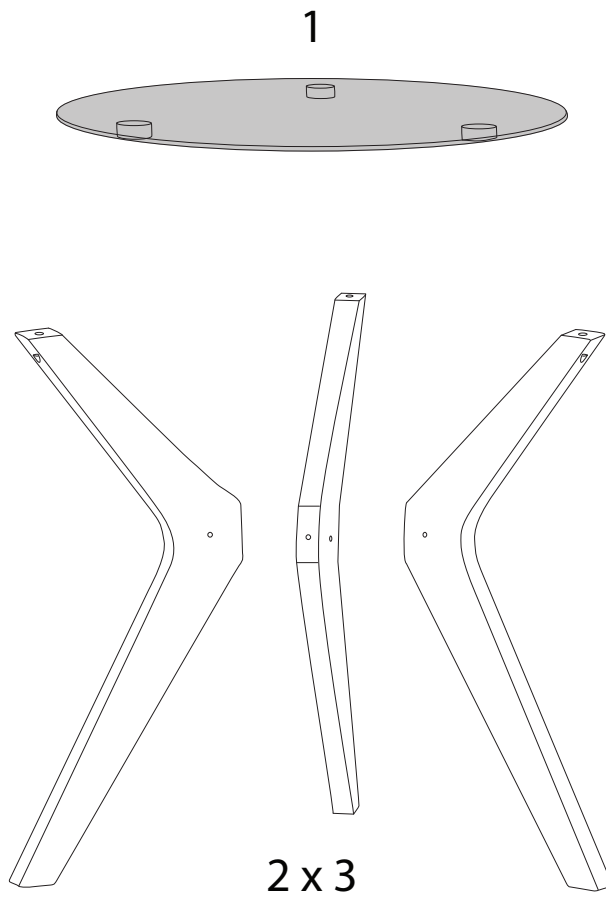
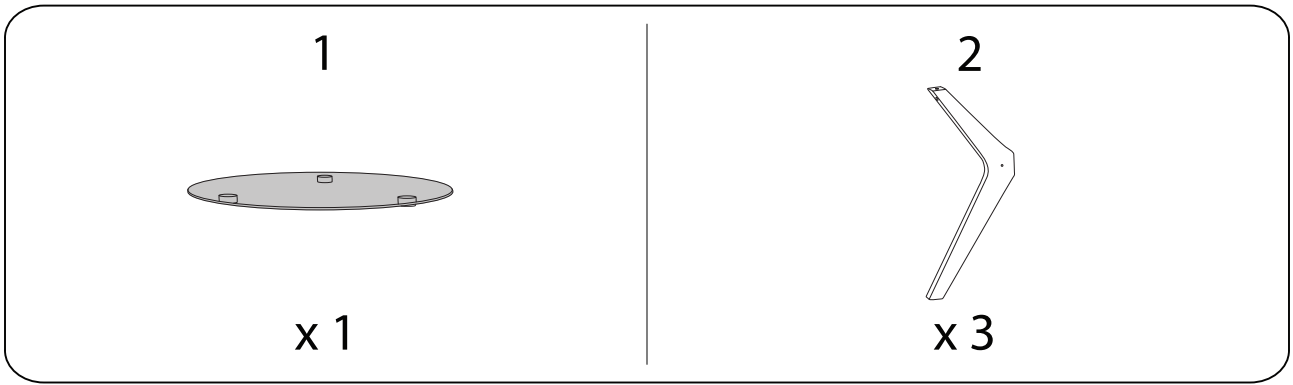


15'



1

1/4



1

2



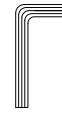
x 3

A

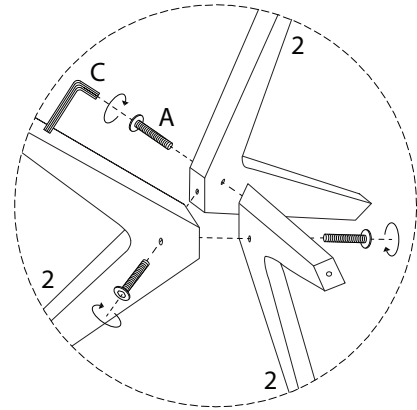
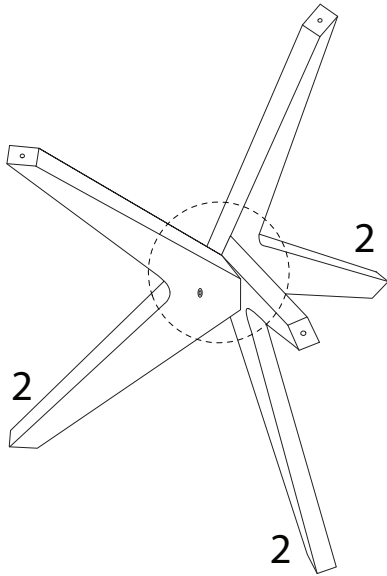


x 3

C



x 1



2

1



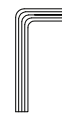
x 1

B

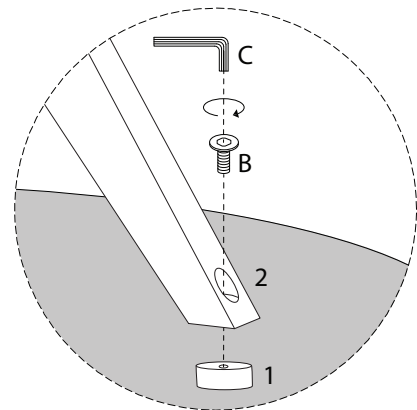
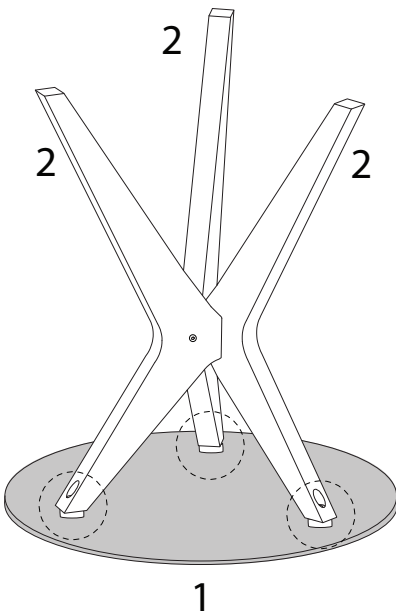


x 3

C



x 1

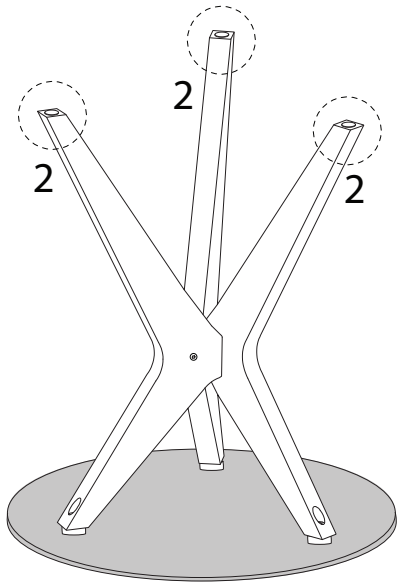


3

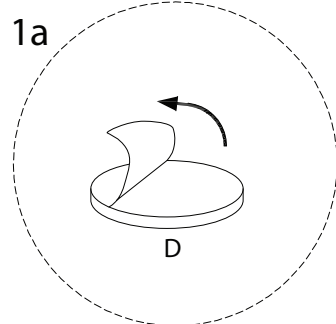
D



x 3



1a



1b

