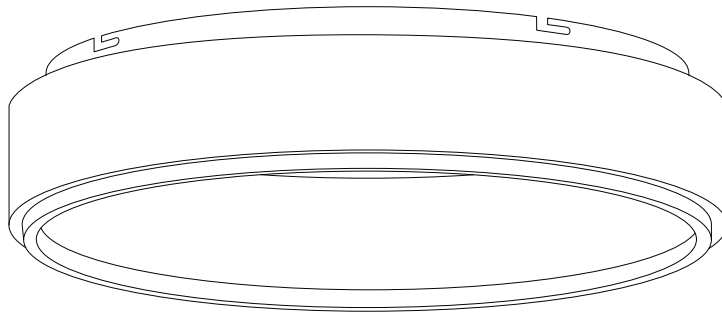
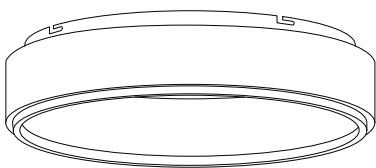


A

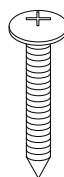


A



x 1

B



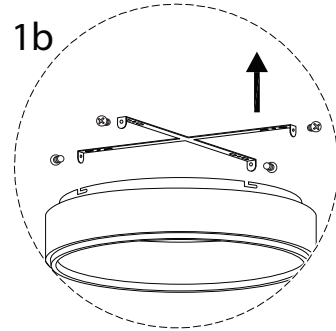
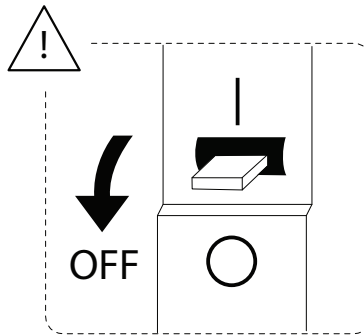
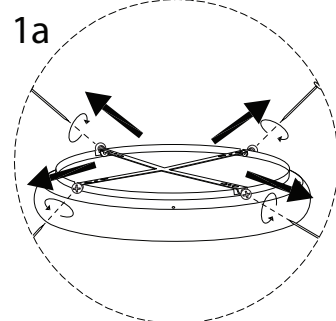
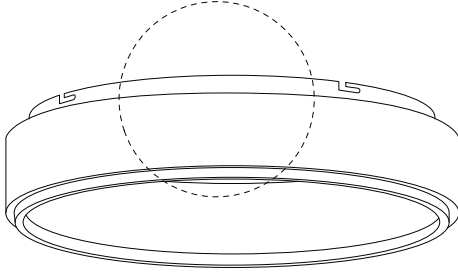
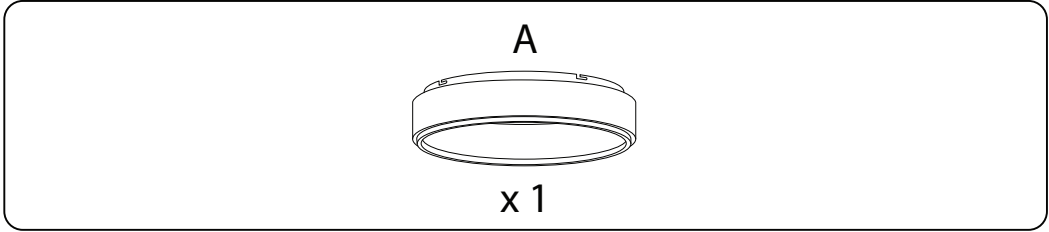
x 4

C



x 4

1



2

