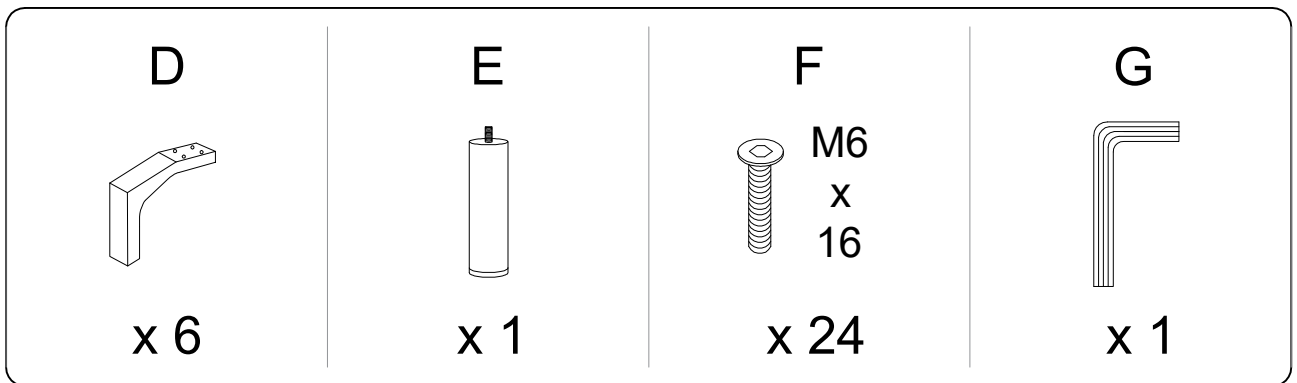
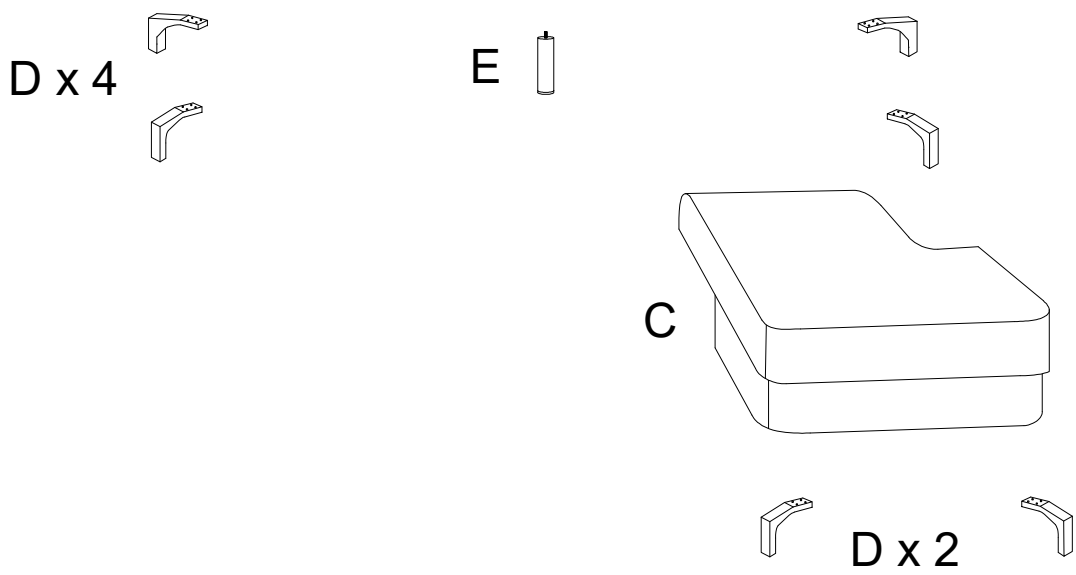
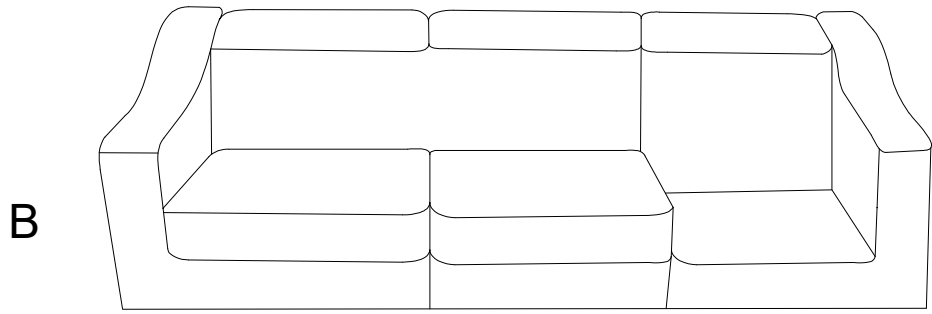
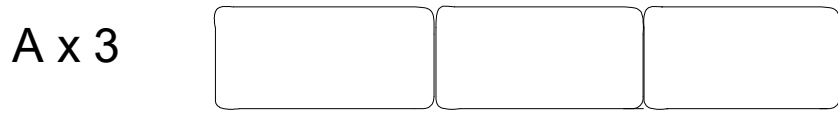
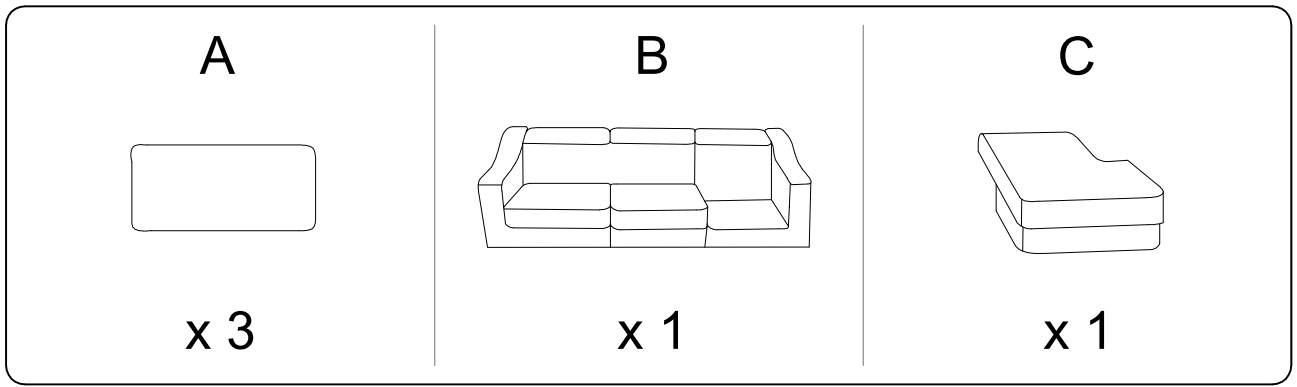
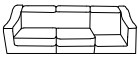
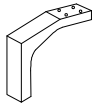





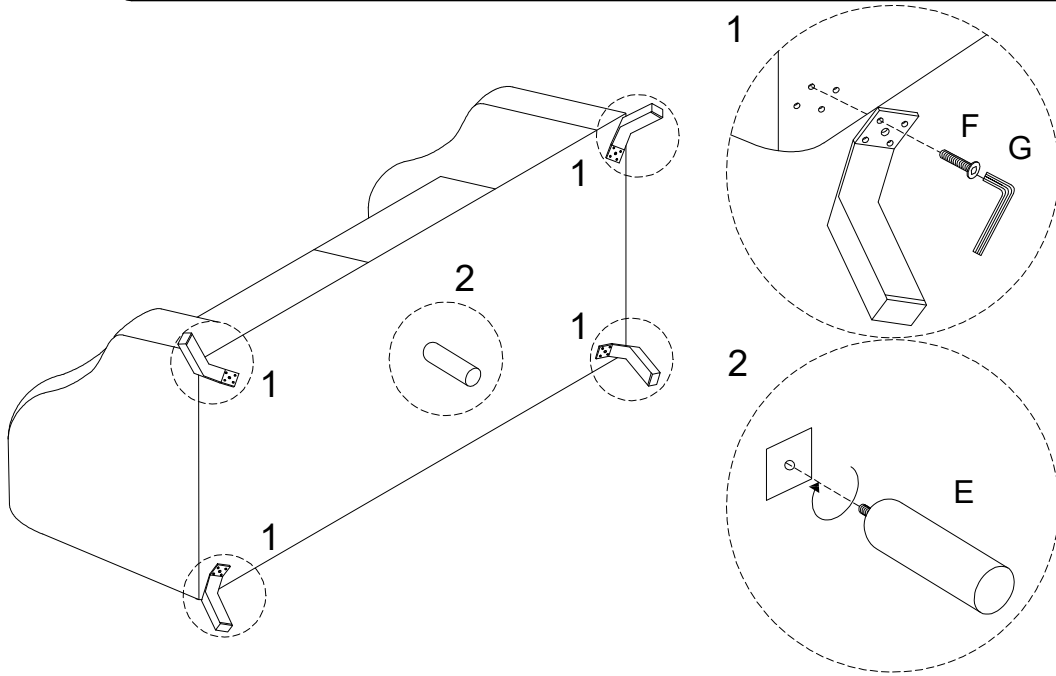
Diagram illustrating assembly instructions and safety warnings:

- Warning 1:** A triangle with an exclamation mark points to a box containing:
 - A circular icon showing an L-shaped metal bracket.
 - An icon of a power drill with a diagonal line through it, indicating that a power drill should not be used.
- Warning 2:** A triangle with an exclamation mark points to a box containing:
 - A circular icon showing a rectangular block being placed on a textured surface.
 - An icon of a rectangular block with a diagonal line through it, indicating that the block should not be placed on a soft or uneven surface.
- Duration:** A clock icon is positioned above the number **20'**, indicating an estimated assembly time of 20 minutes.
- Personnel:** An icon of a person is positioned above the number **2**, indicating that two people are required for assembly.

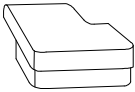
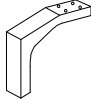
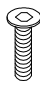
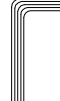


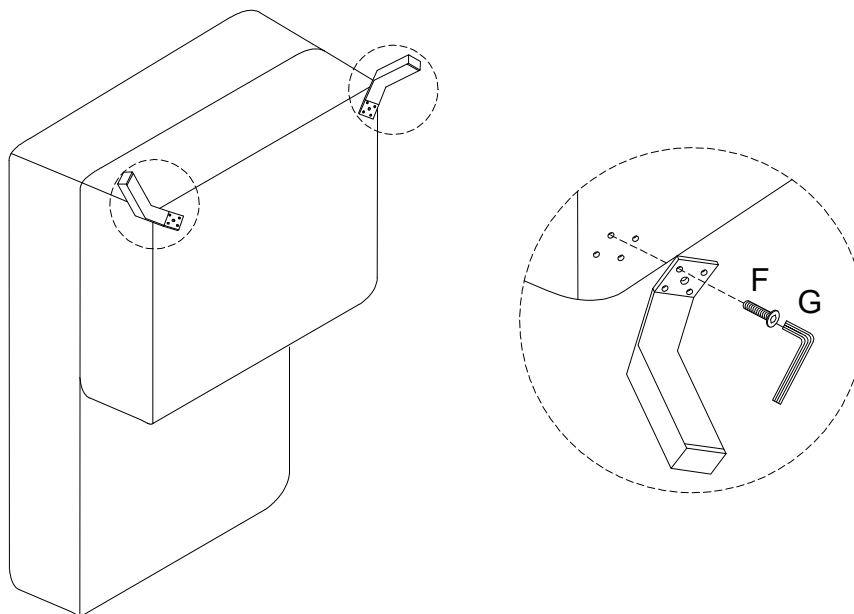
1

B  x 1	D  x 4	E  x 1	F M6 x 16  x 16	G  x 1
--	--	--	--	--

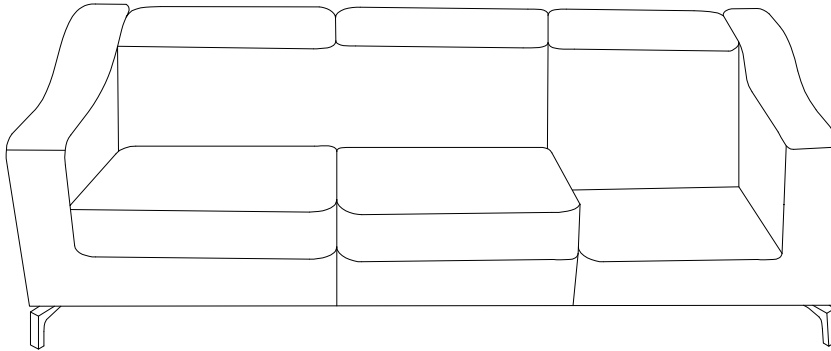
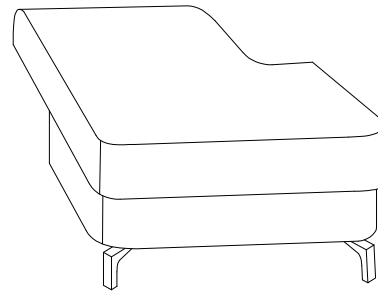


2

C  x 1	D  x 2	F M6 x 16  x 8	G  x 1
--	--	--	--



!



3

