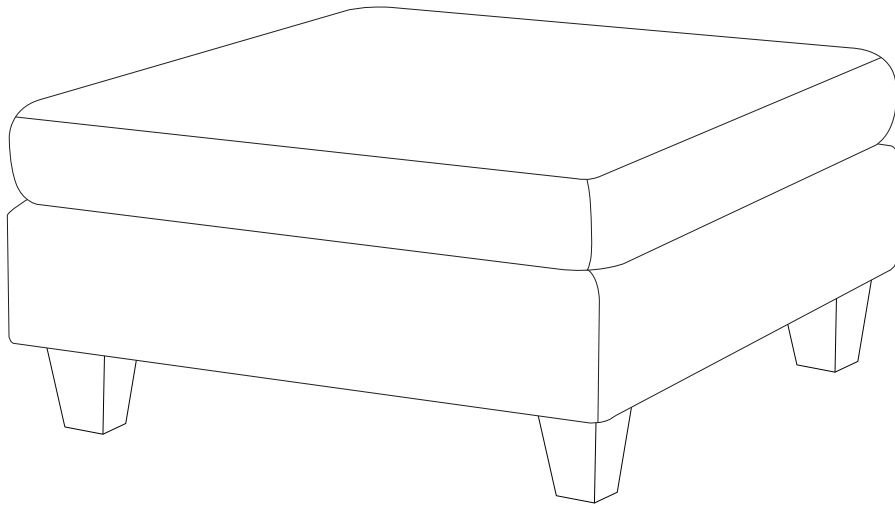
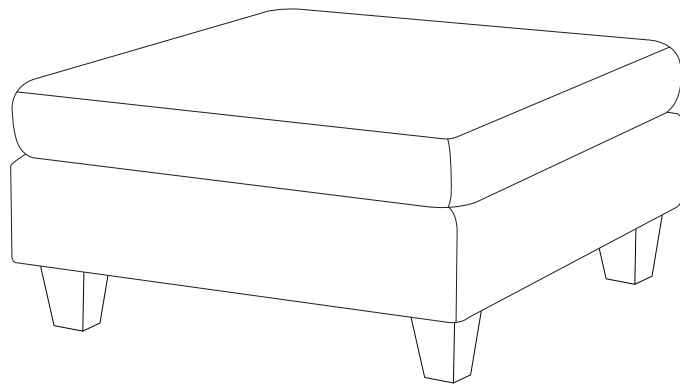


# UNSTAD



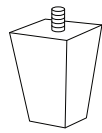
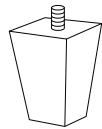
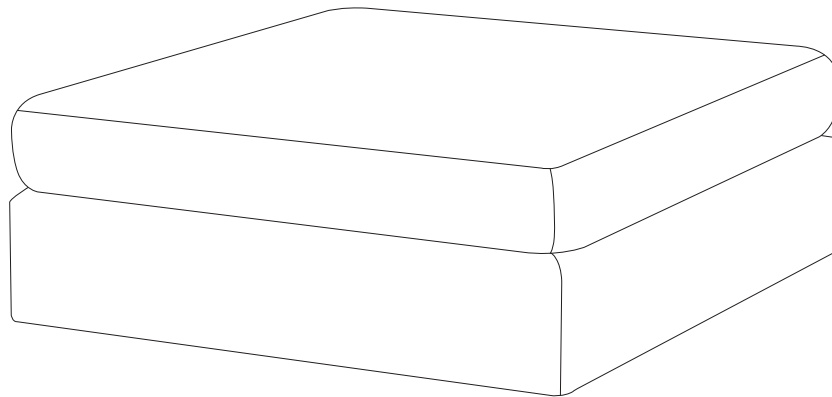


Assembly instructions for step 1/4:

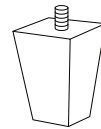
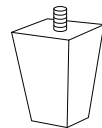
- Tools:** A screwdriver is shown as the required tool. A power drill is shown with a diagonal line through it, indicating it should not be used.
- Warning:** A warning triangle with an exclamation mark is positioned to the right of the tool icons.
- Time:** A clock icon indicates that the estimated assembly time for this step is 5 minutes.
- Personnel:** An icon of a person indicates that one person is required for this step.

1/4

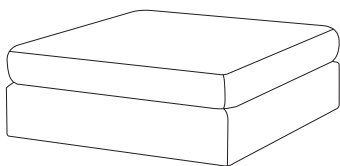
A3



B x 4

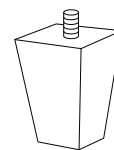


A3



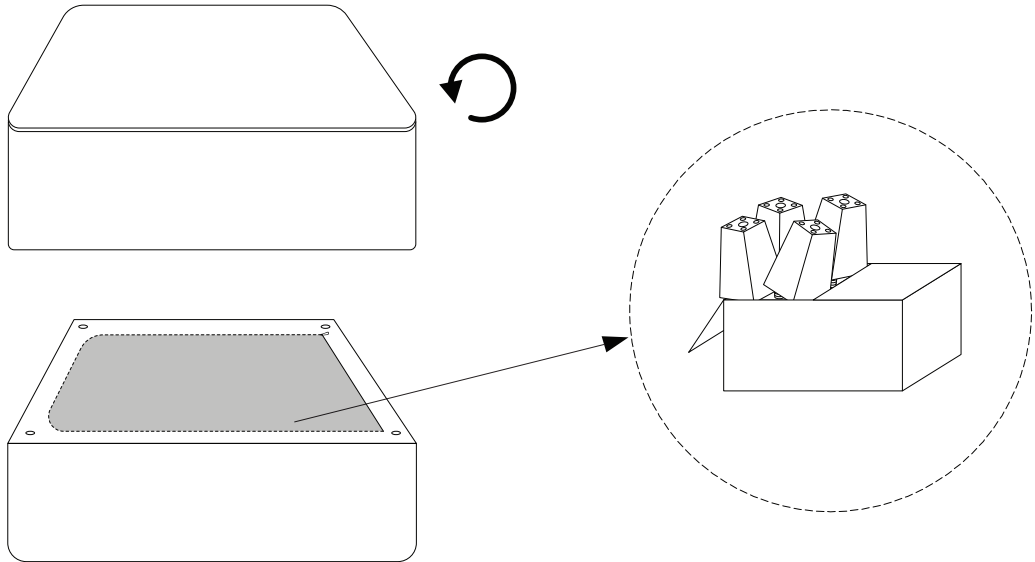
x 1

B

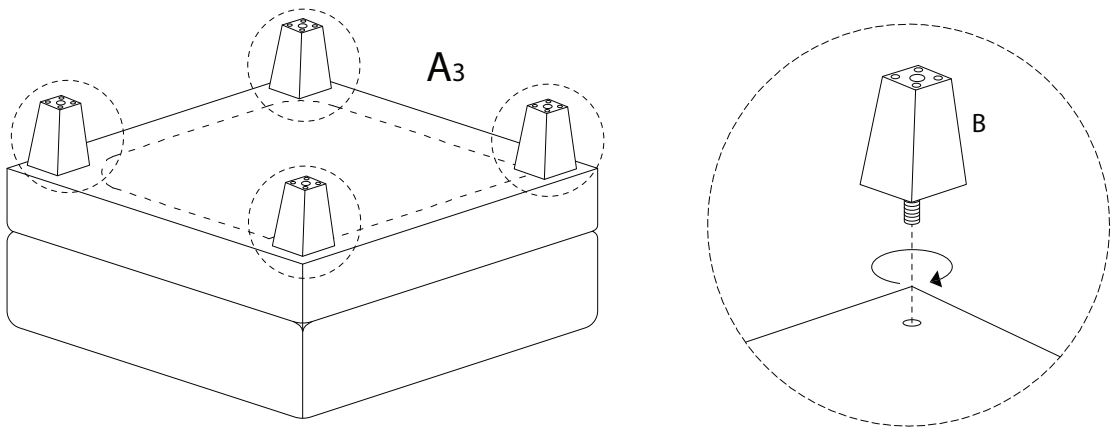
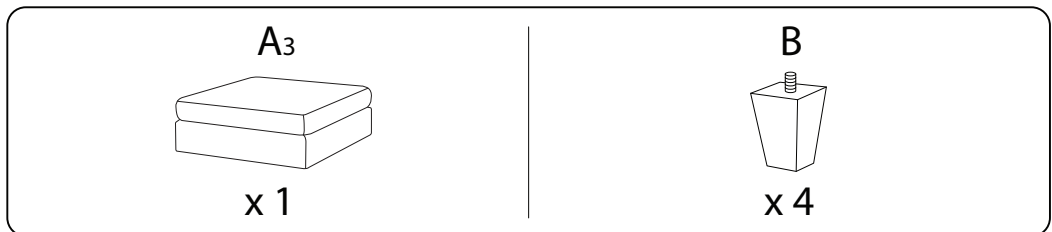


x 4

!



1



!

