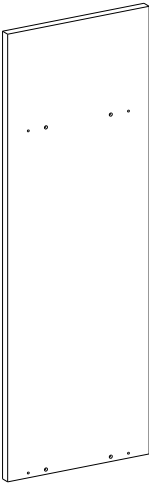

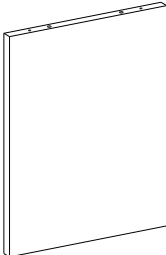

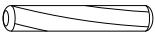
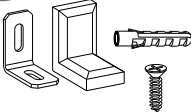

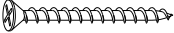

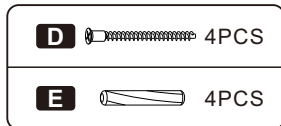
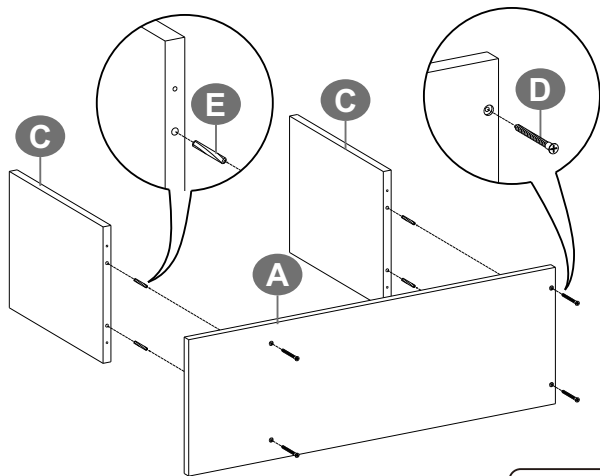
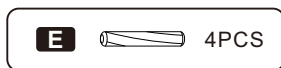
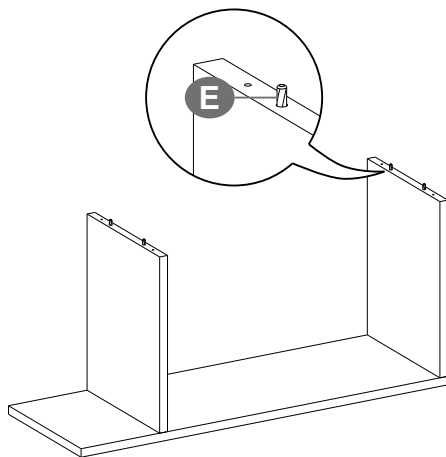


<p>A × 2</p> 	<p>B × 5</p> 	
<p>C × 12</p> 	<p>D 48+1</p>  <p>ST7 × 50 mm</p>	<p>E 48+1</p>  <p>φ8 × 40 mm</p>
	<p>F × 2</p>  <p>ST4 × 14 mm</p>	<p>G 24+1</p> 
	<p>ST3.5 × 35 mm</p> 	<p>H 4+1</p> 

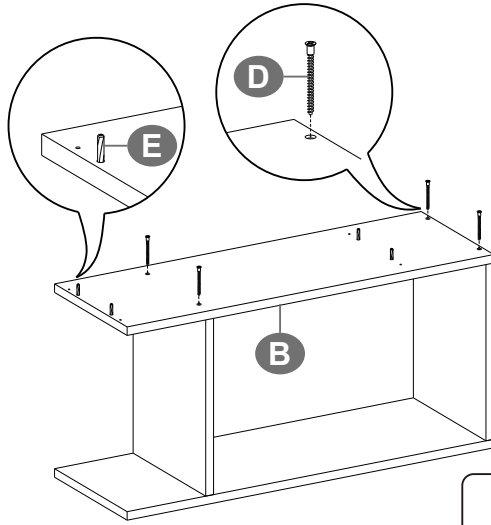
1

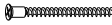



2

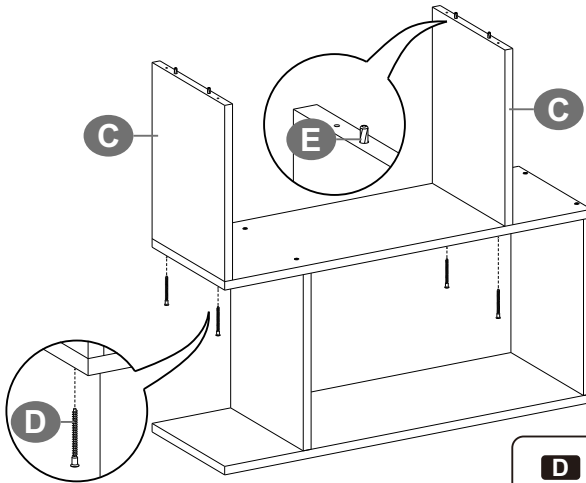




3



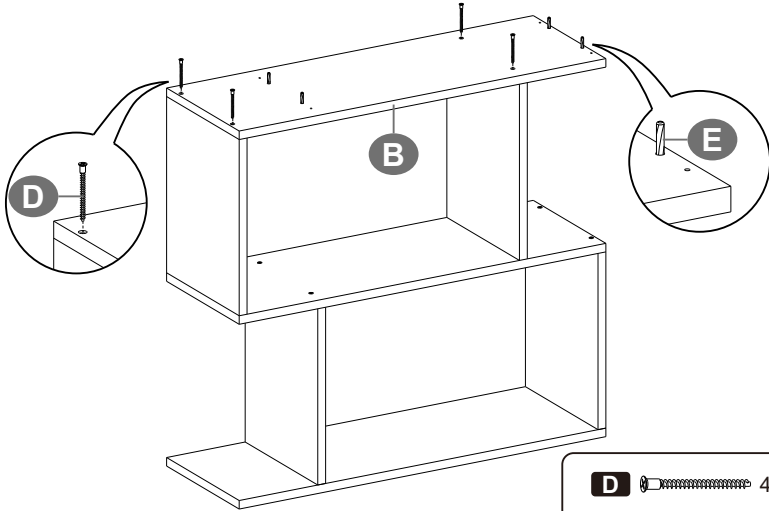
- | | | |
|----------|---|------|
| D |  | 4PCS |
| E |  | 4PCS |

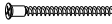

4



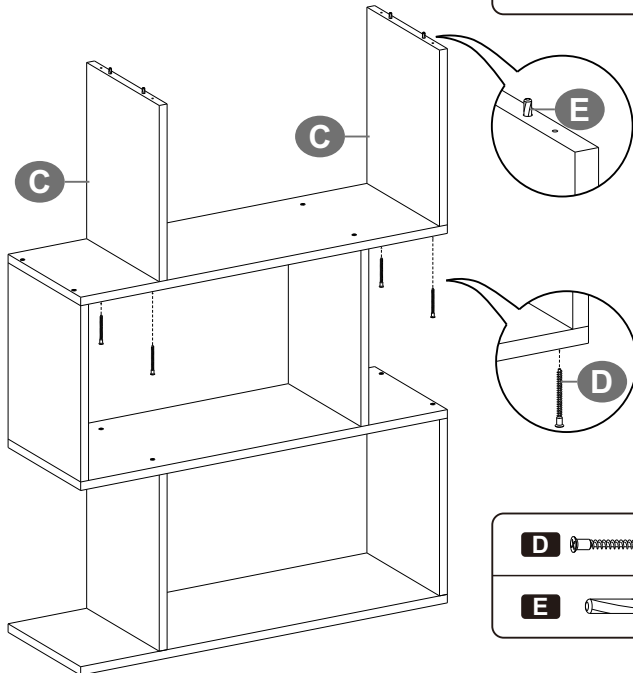
- | | | |
|----------|---|------|
| D |  | 4PCS |
| E |  | 4PCS |



5



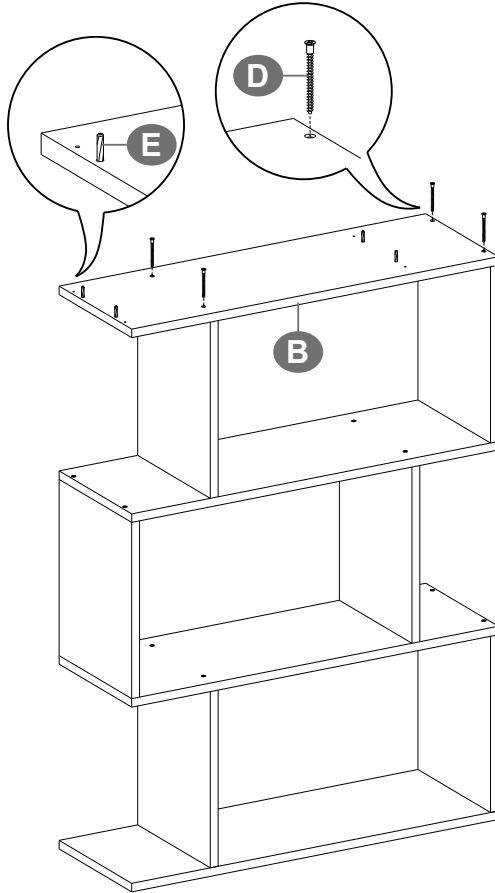
- | | | |
|----------|---|------|
| D |  | 4PCS |
| E |  | 4PCS |



6



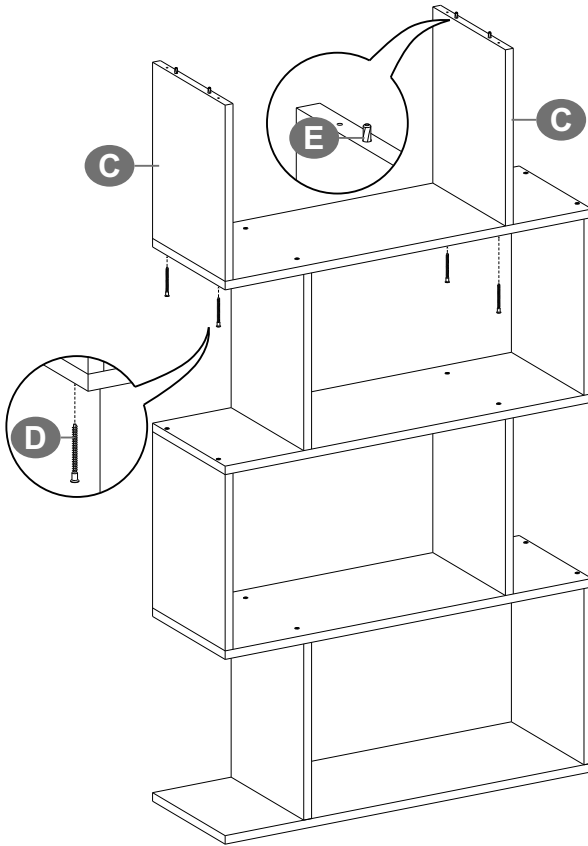
- | | | |
|----------|---|------|
| D |  | 4PCS |
| E |  | 4PCS |


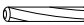
7



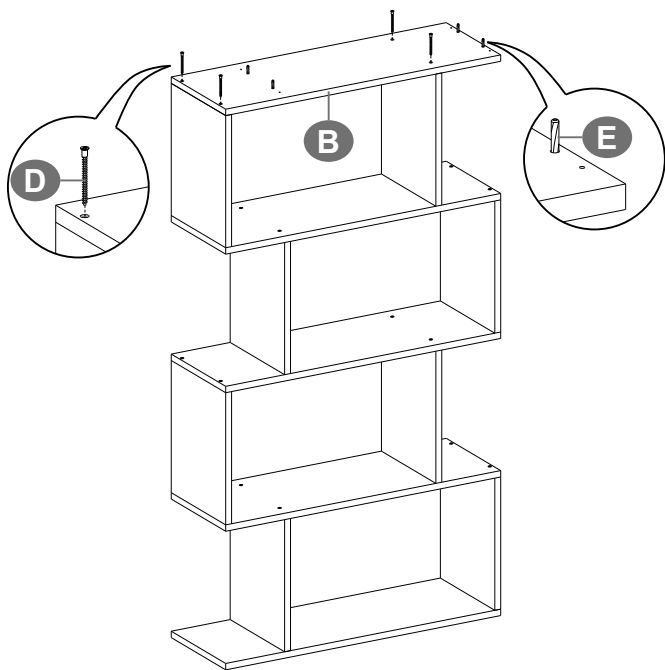
D		4PCS
E		4PCS


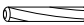
8



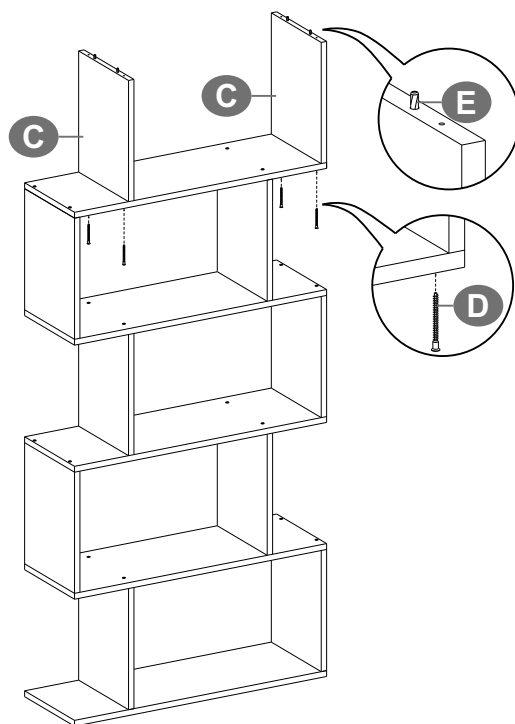
D		4PCS
E		4PCS


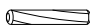
9



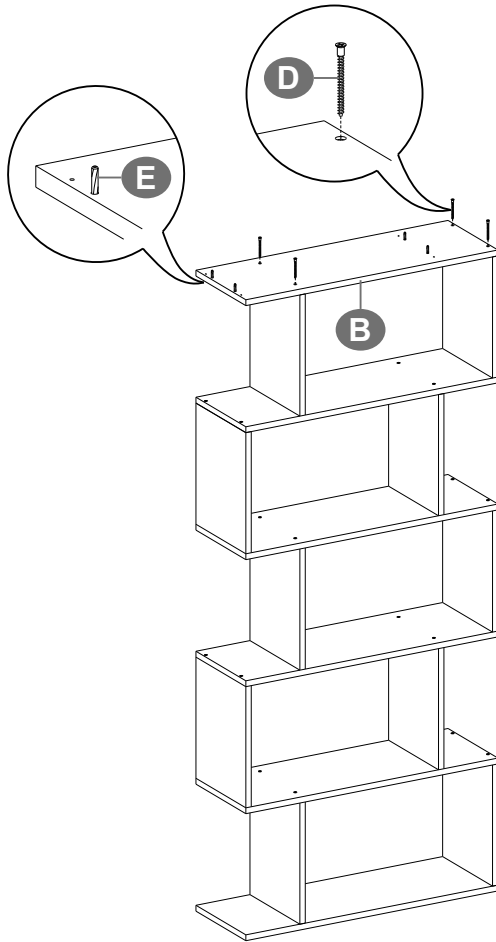
D		4PCS
E		4PCS

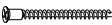

10



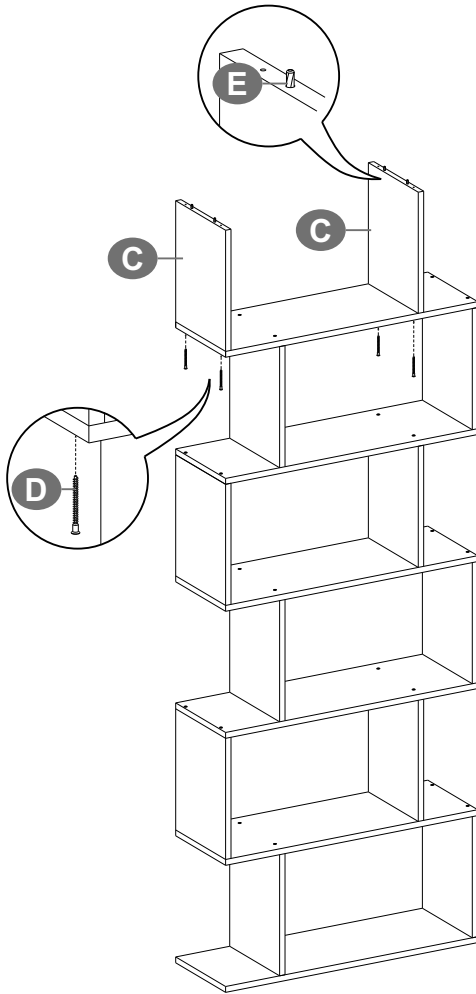
- | | | |
|----------|---|------|
| D |  | 4PCS |
| E |  | 4PCS |



11



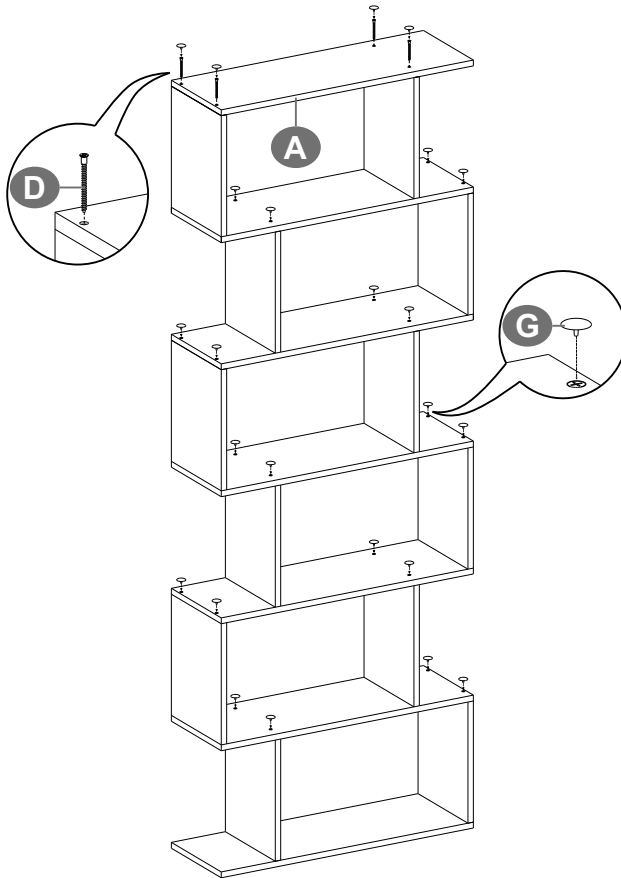
- | | | |
|----------|---|------|
| D |  | 4PCS |
| E |  | 4PCS |

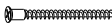

12



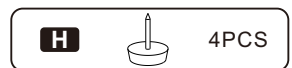
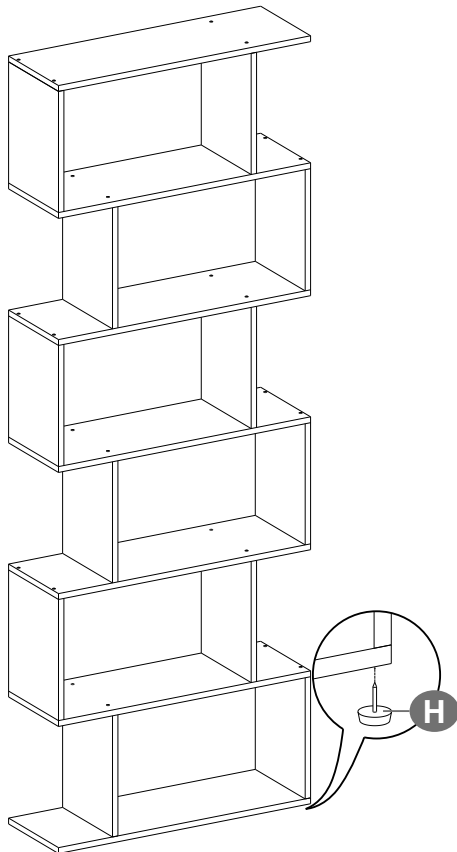
- | | | |
|----------|---|------|
| D |  | 4PCS |
| E |  | 4PCS |

13

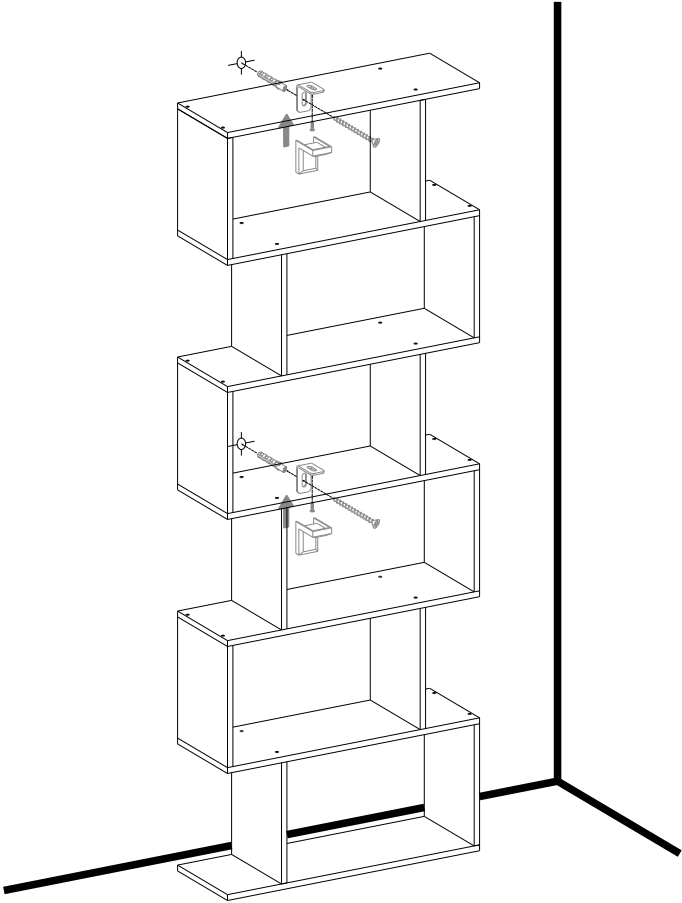



D		4PCS
G		24PCS

14



15



F  2PCS
