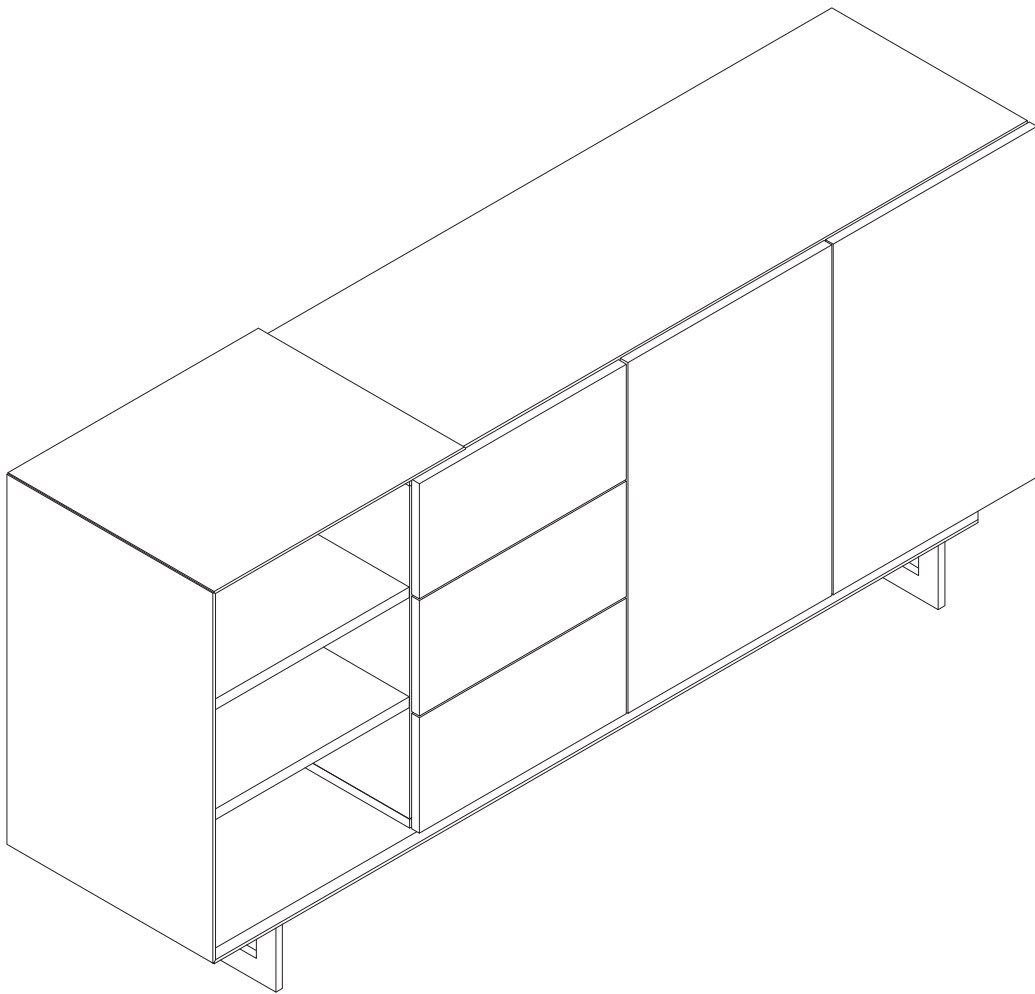
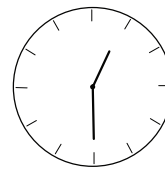
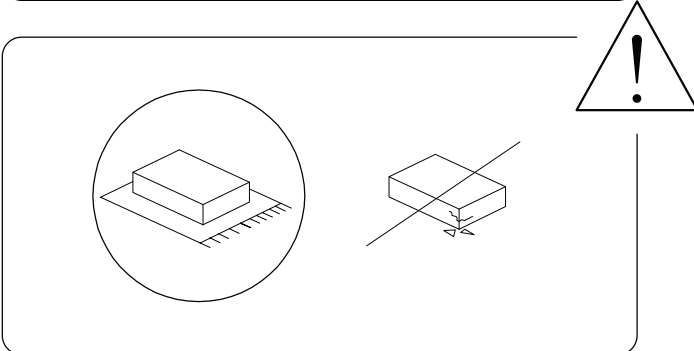
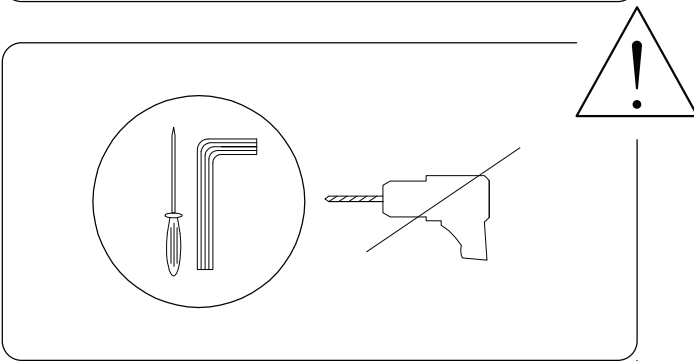
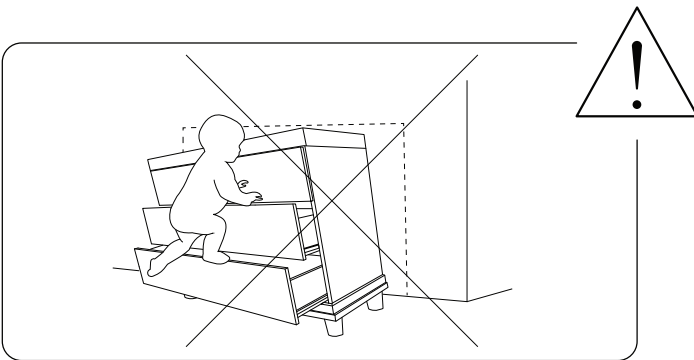
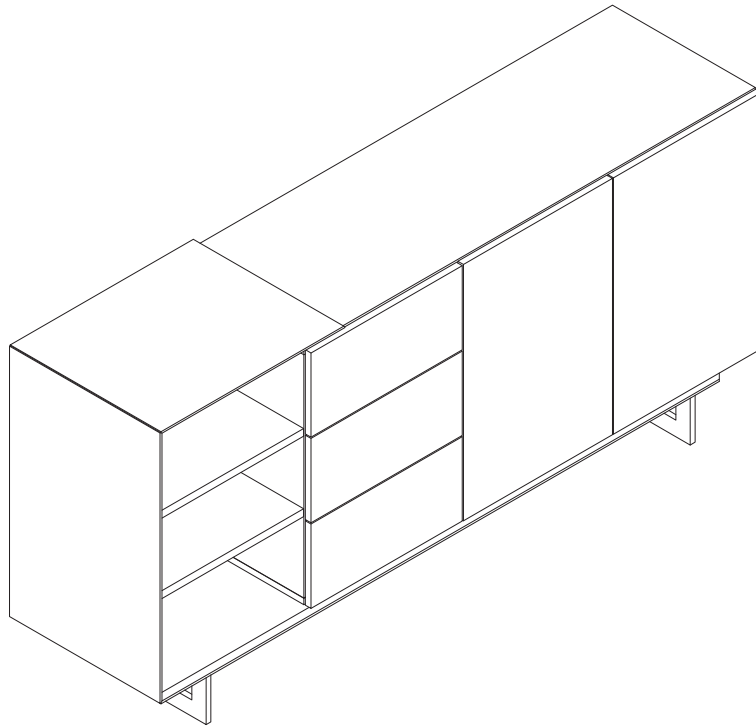
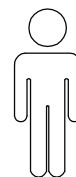


# FIORA

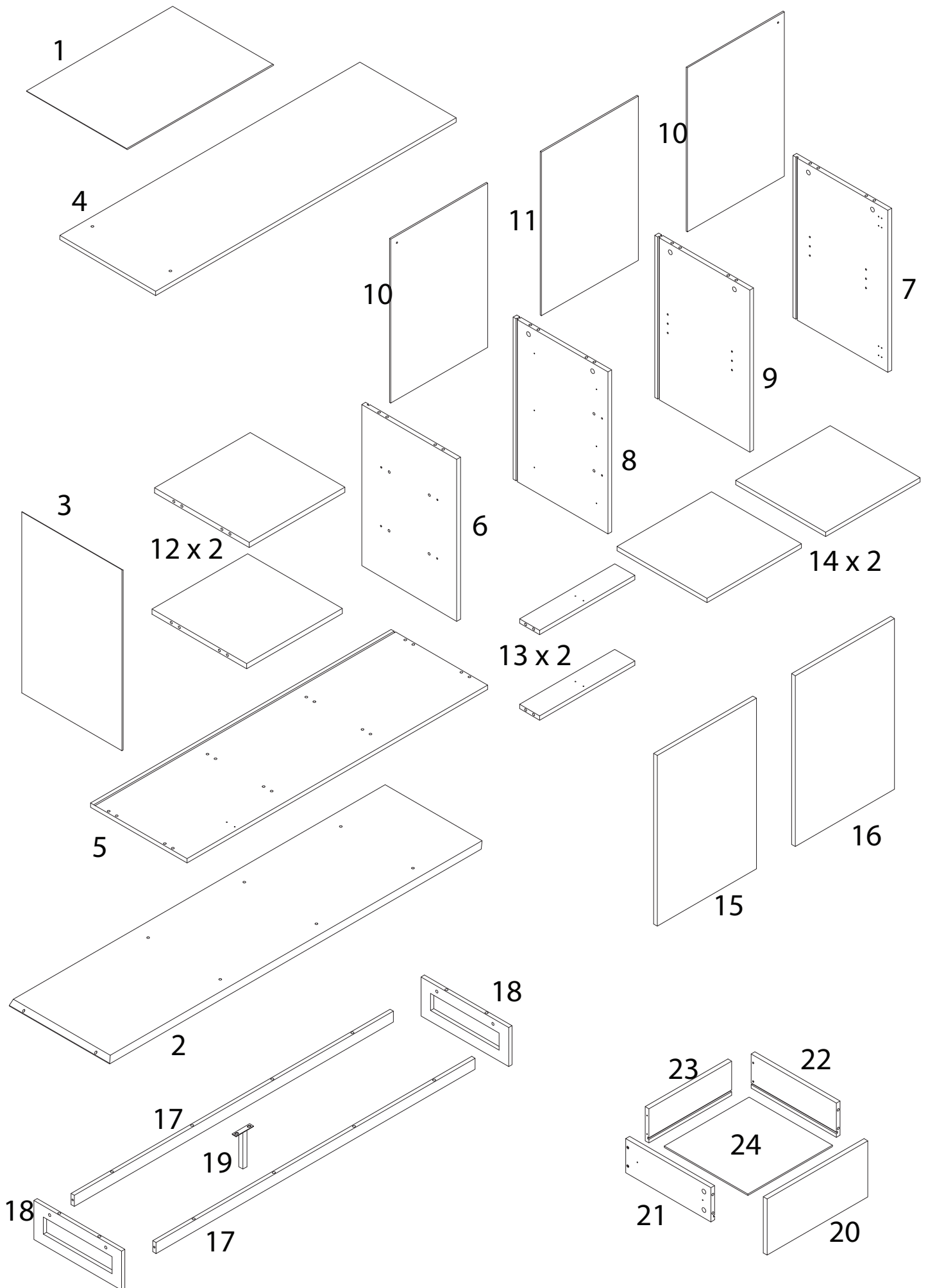


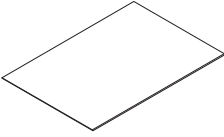
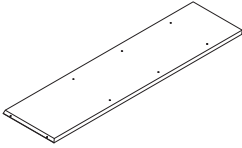

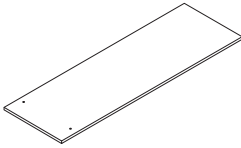
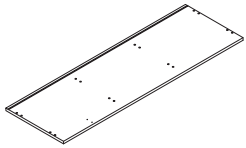
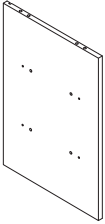
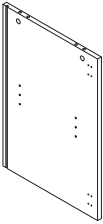
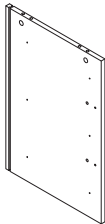
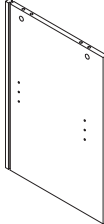


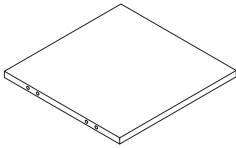
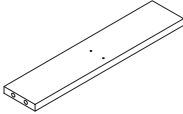
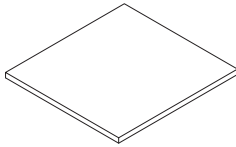

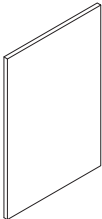
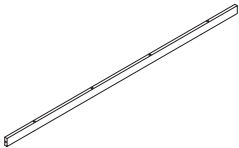
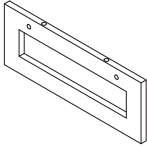
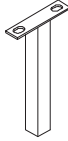
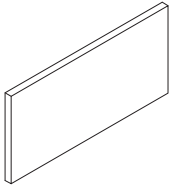
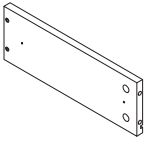
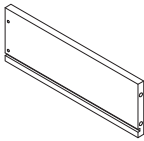
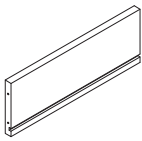
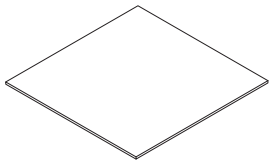


90'



2



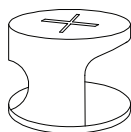
1  x 1	2  x 1	3  x 1	4  x 1	5  x 1
6  x 1	7  x 1	8  x 1	9  x 1	10  x 2
11  x 1	12  x 2	13  x 2	14  x 2	15  x 1
16  x 1	17  x 2	18  x 2	19  x 1	20  x 3
21  x 3	22  x 3	23  x 3	24  x 3	

A



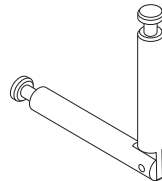
x 32

B



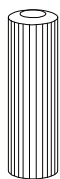
x 40

C



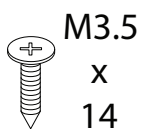
x 4

D



x 28

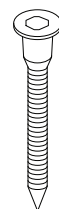
E



M3.5  
x  
14

x 75

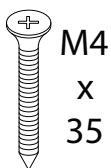
F



M7  
x  
40

x 8

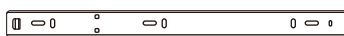
G



M4  
x  
35

x 12

H



x 6

I



x 6

J



M6  
x  
25

x 8

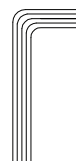
K



M6  
x  
35

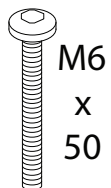
x 4

L



x 1

M



M6  
x  
50

x 12

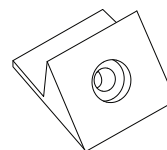
N



M6  
x  
12

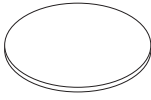
x 2

O



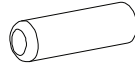
x 12

P



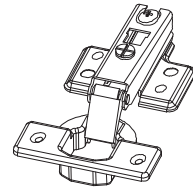
x 20

Q



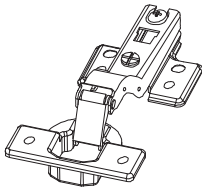
x 8

R



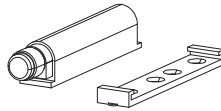
x 2

S



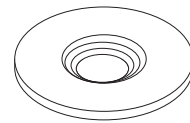
x 2

T



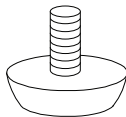
x 5

U



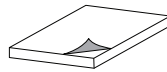
x 5

V



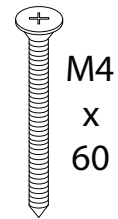
x 1

W



x 4

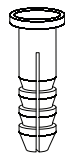
X



M4  
x  
60

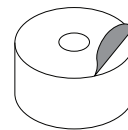
x 2

Y



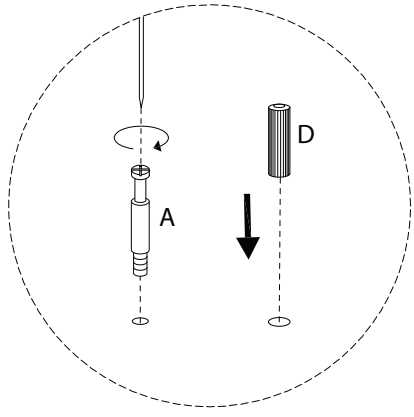
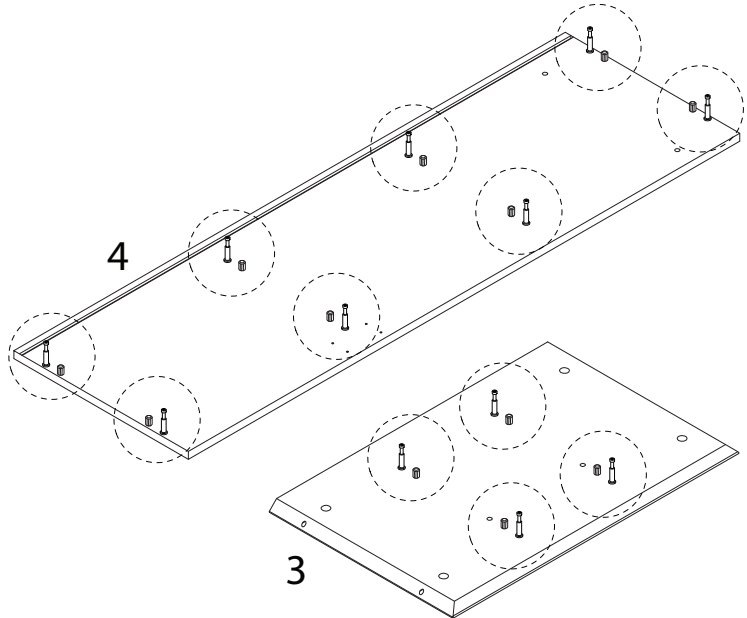
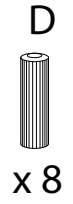
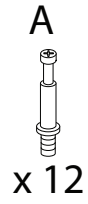
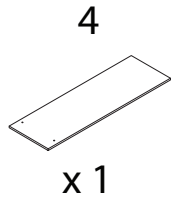
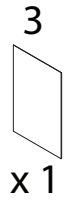
x 2

Z

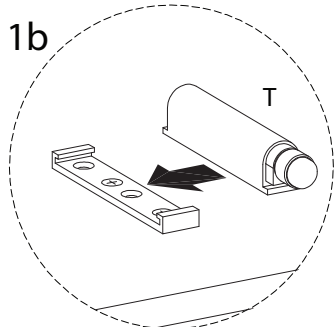
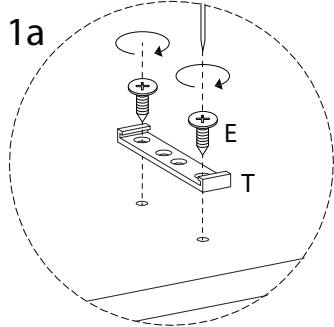
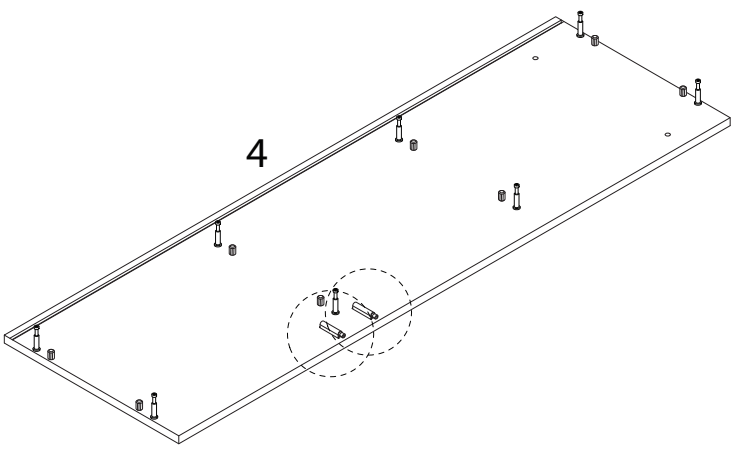
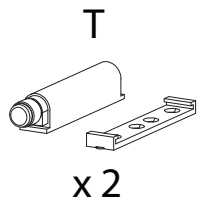
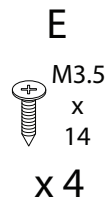


x 2

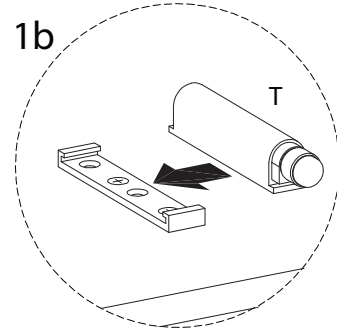
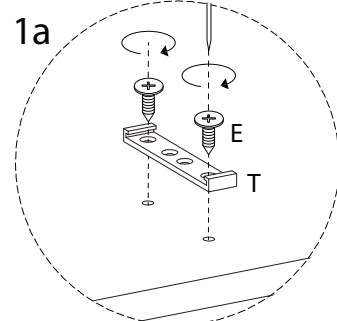
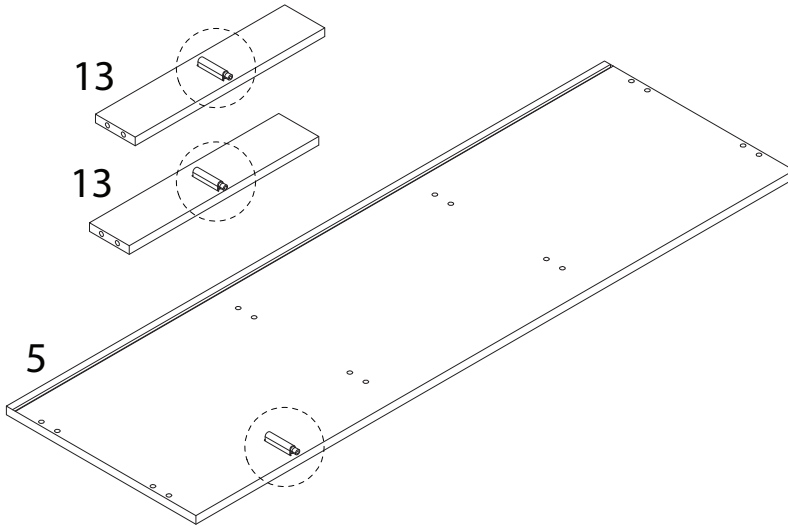
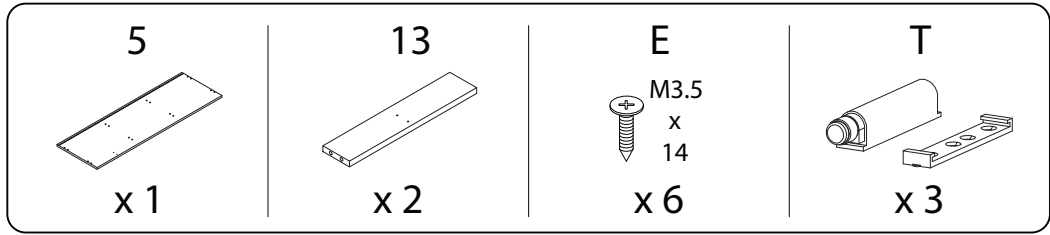
1



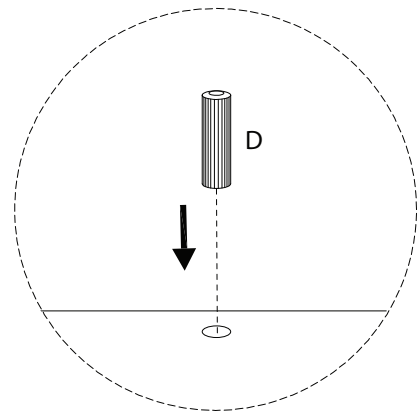
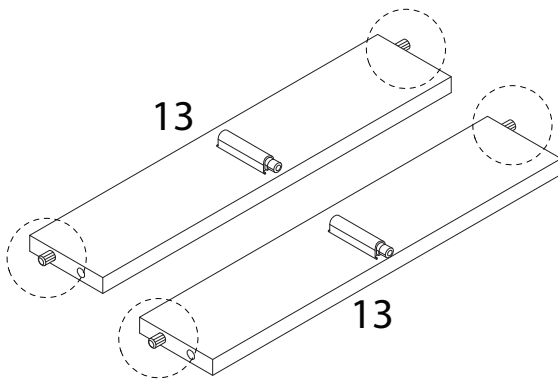
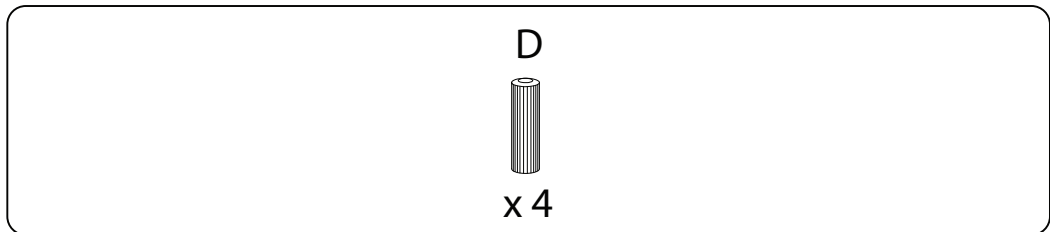
2



3



4





5

6



x 1

8

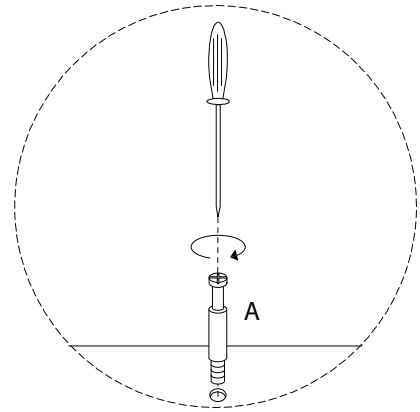
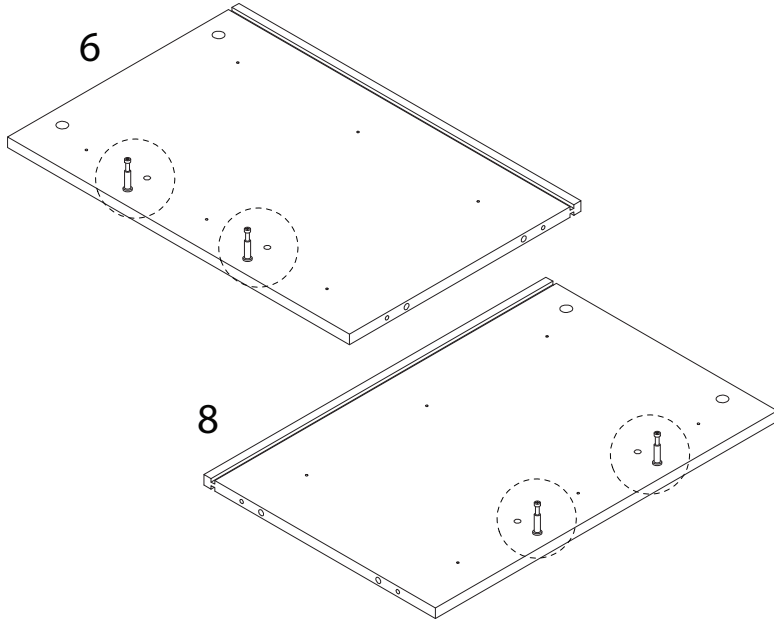


x 1

A



x 4



6

A

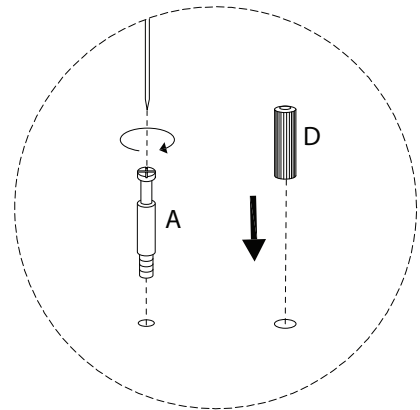
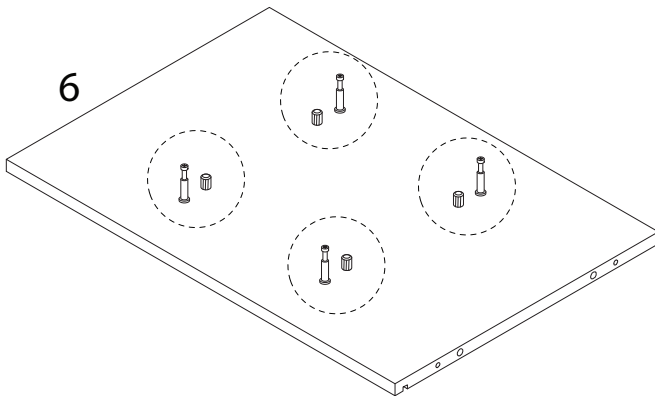


x 4

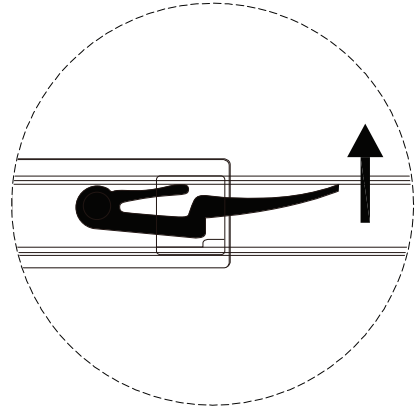
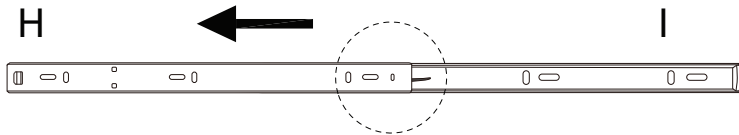
D



x 4



!

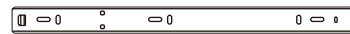


7

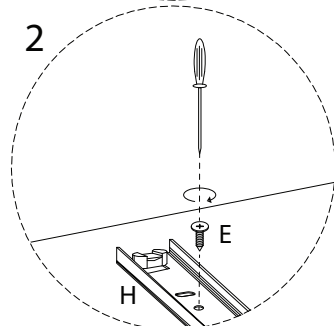
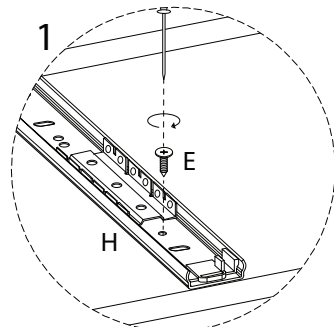
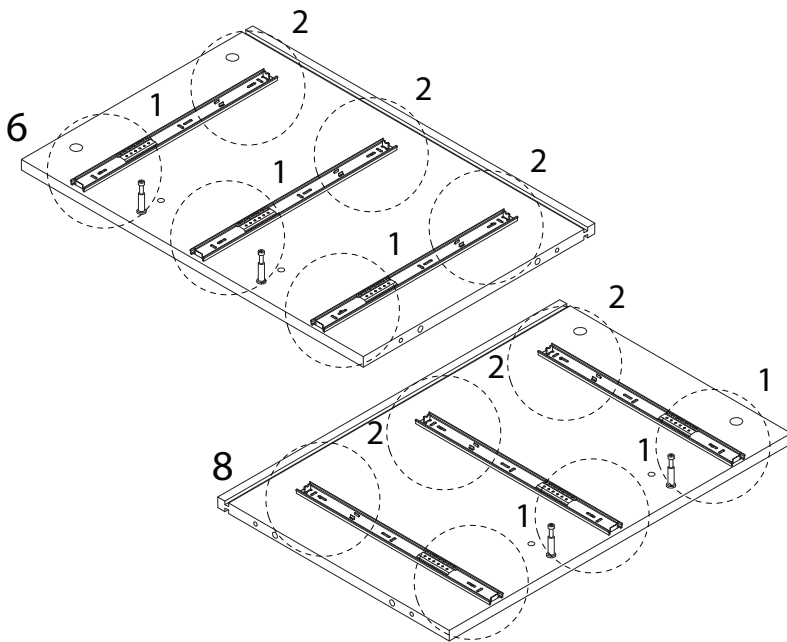
E

M3.5  
x  
14  
x 12

H



x 6

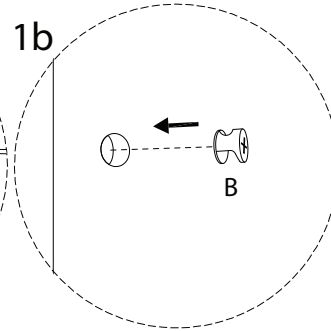
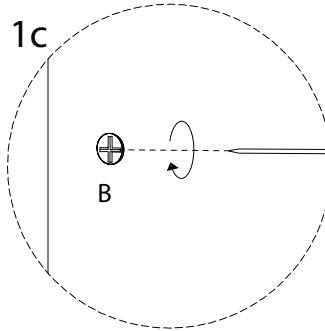
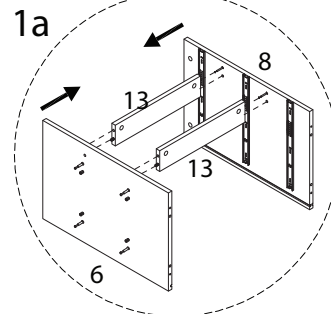
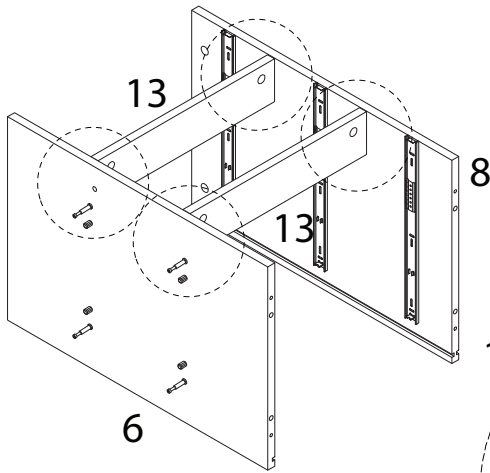


8

B



x 4



9

7



x 1

9

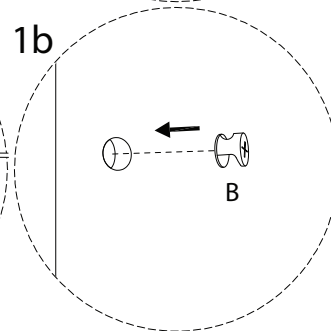
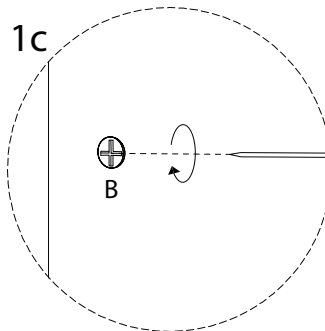
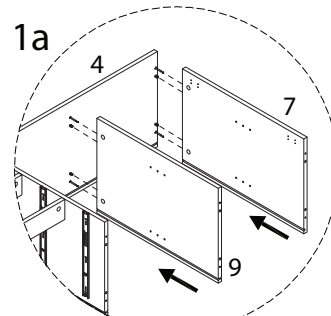
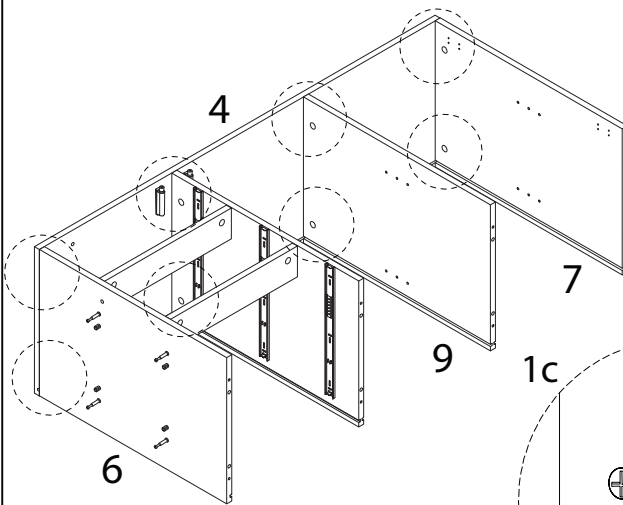


x 1

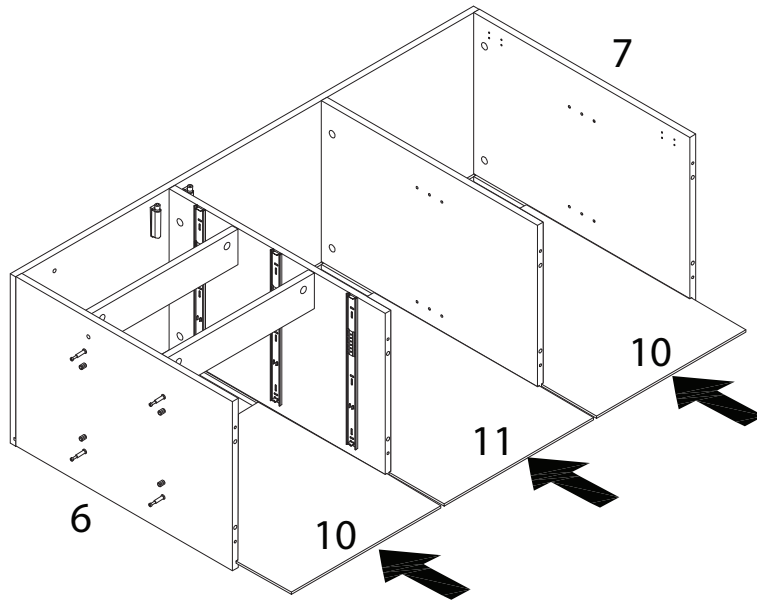
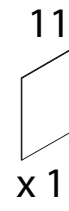
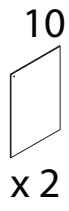
B



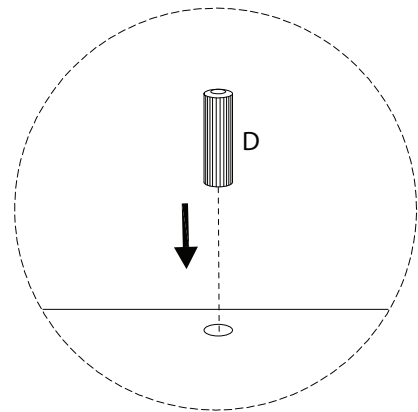
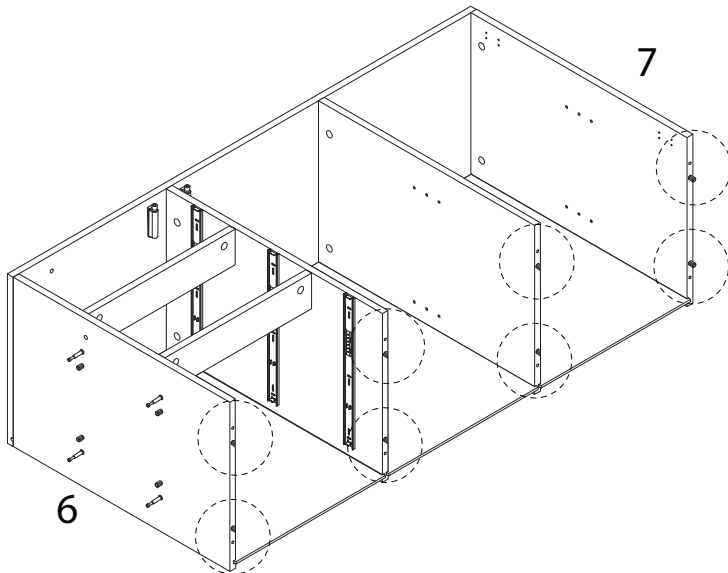
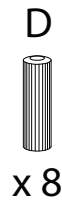
x 8



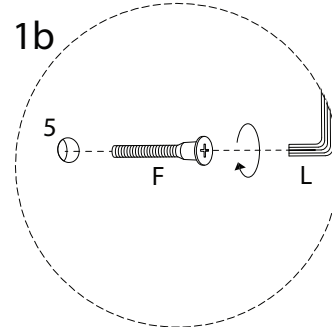
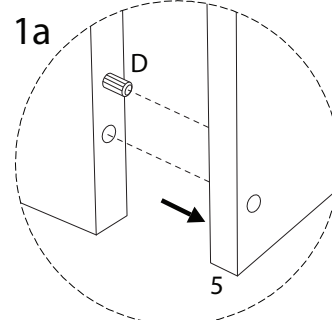
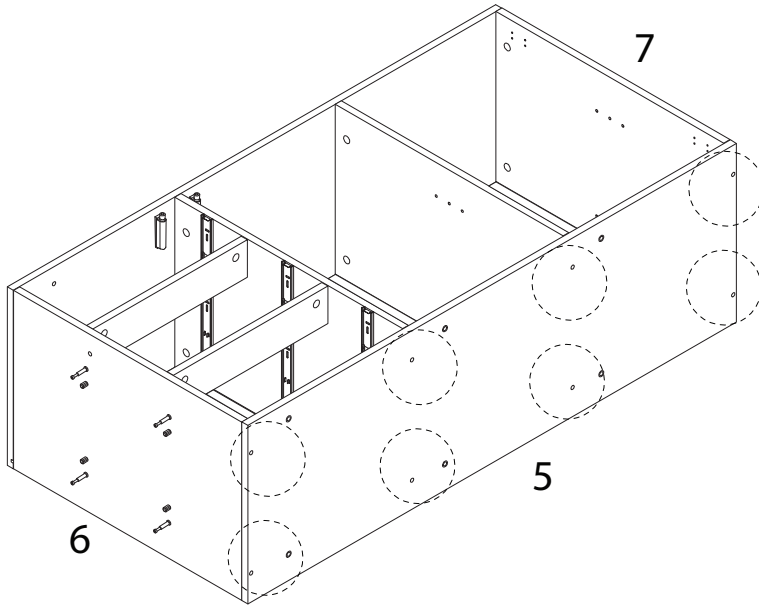
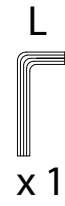
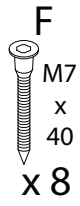
10



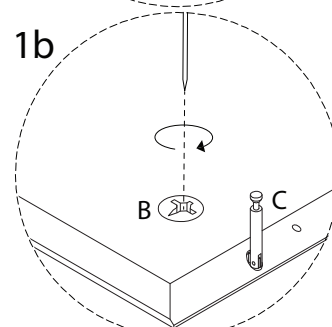
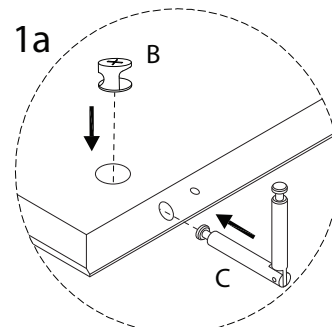
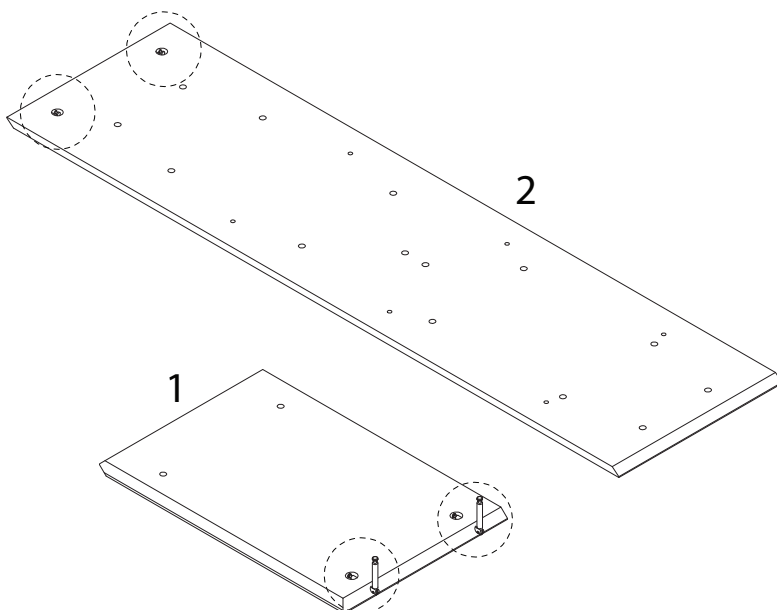
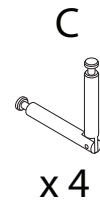
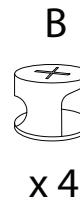
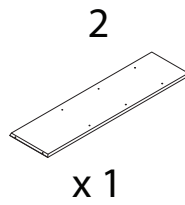
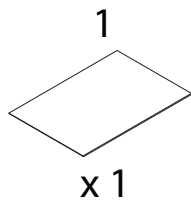
11



12



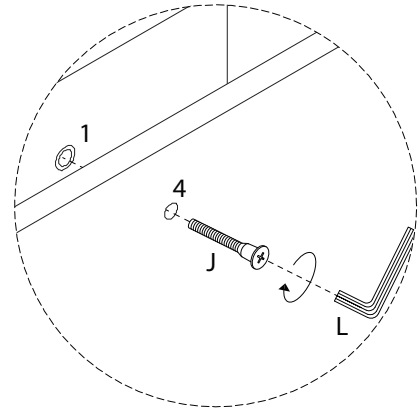
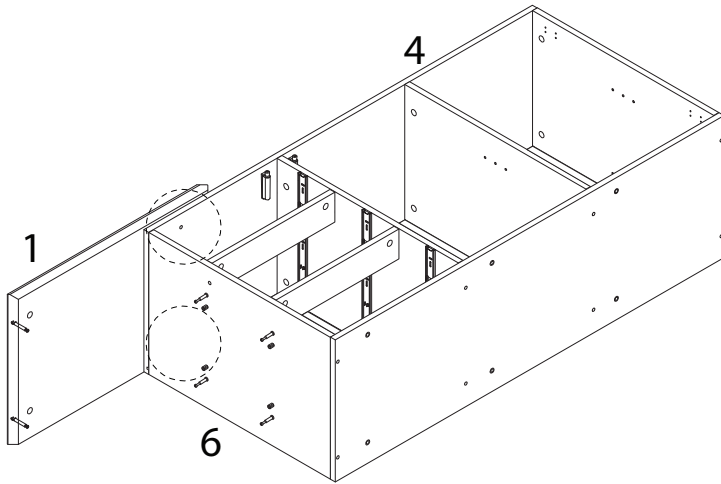
13



14

J  
M6  
x  
25  
x 2

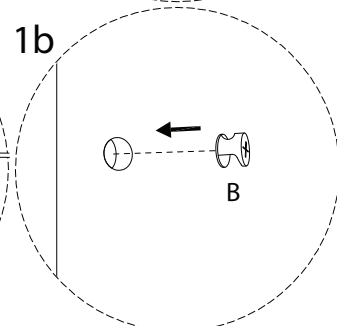
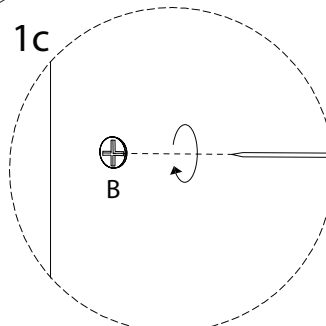
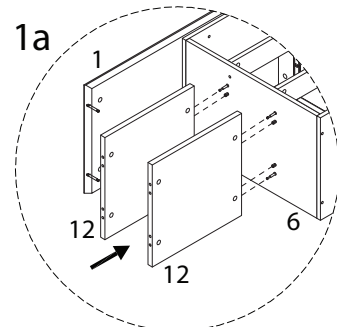
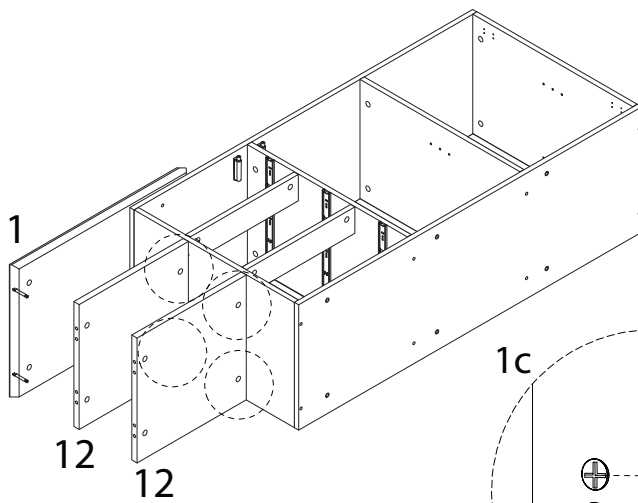
L  
x 1



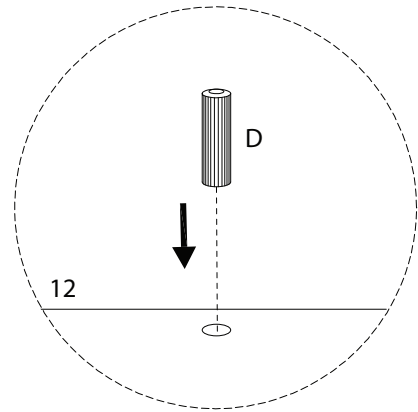
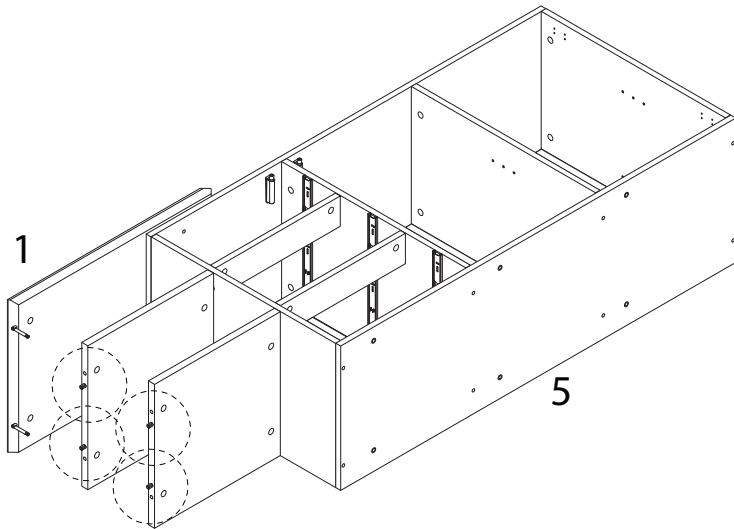
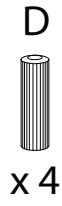
15

12  
x 2

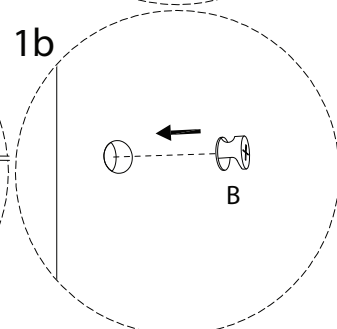
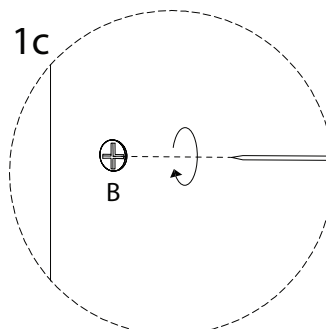
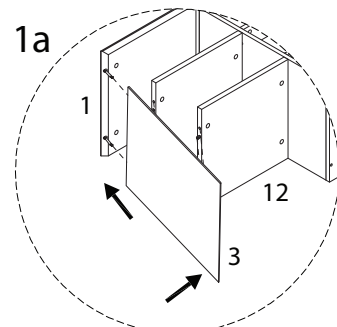
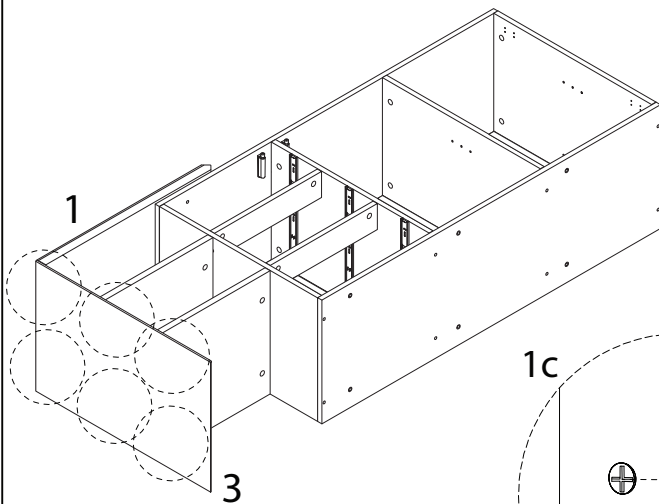
B  
x 4



16



17

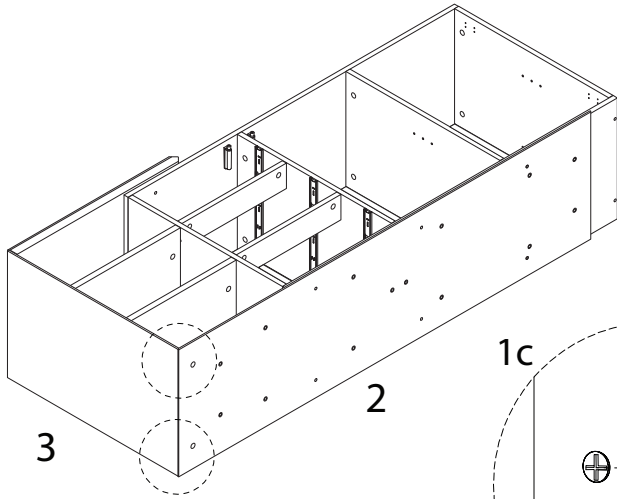


18

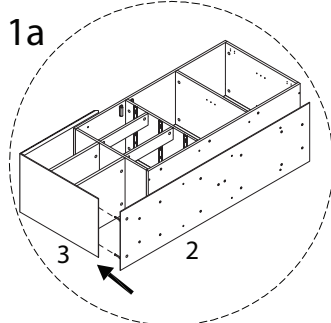
B



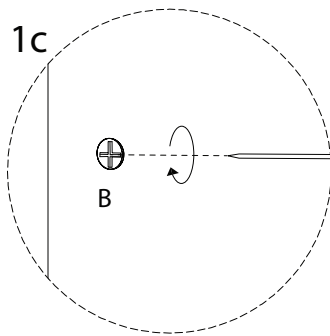
x 2



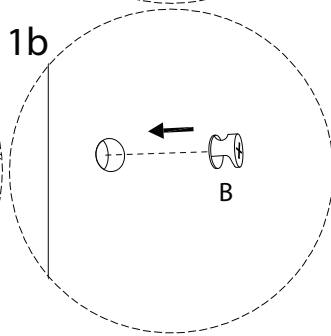
1a



1c



1b



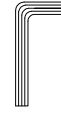
19

J

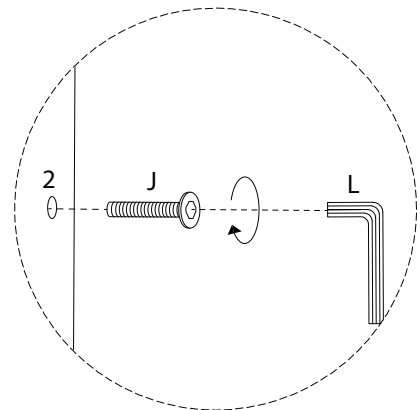
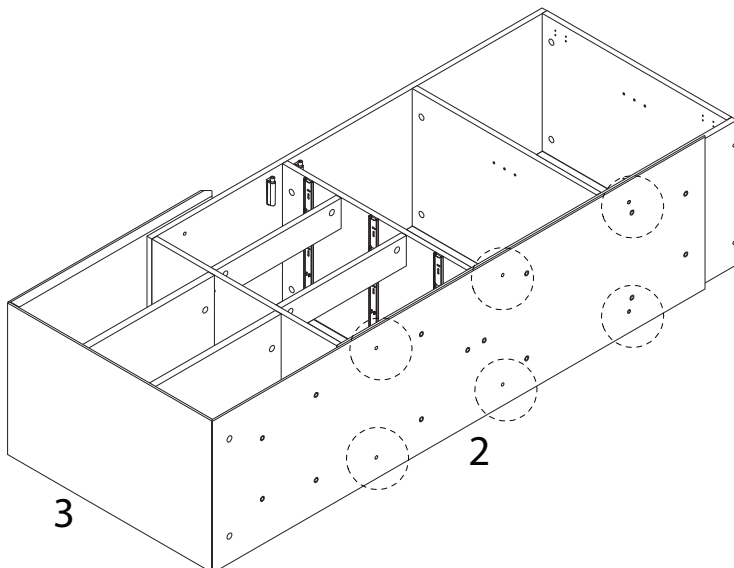


x 6

L

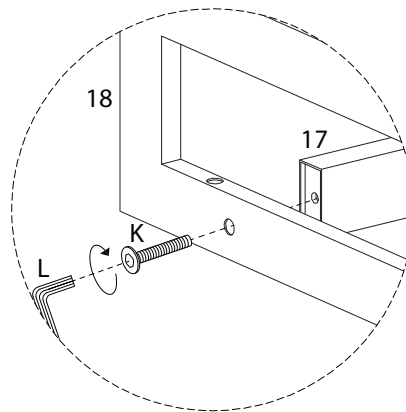
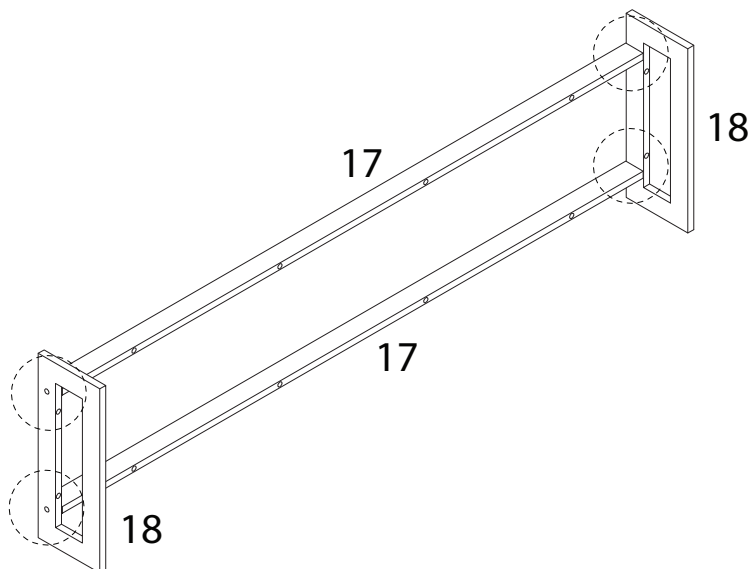
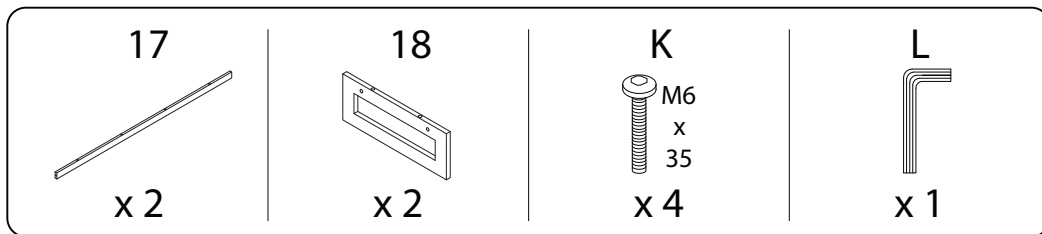


x 1

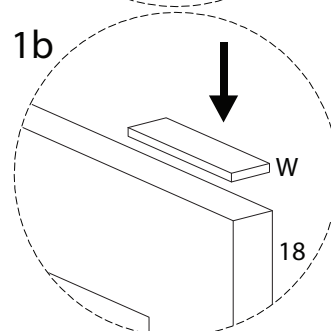
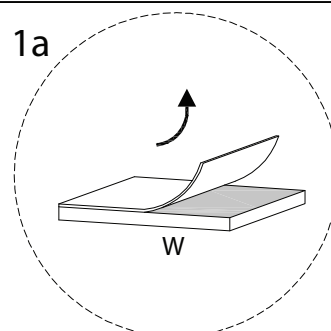
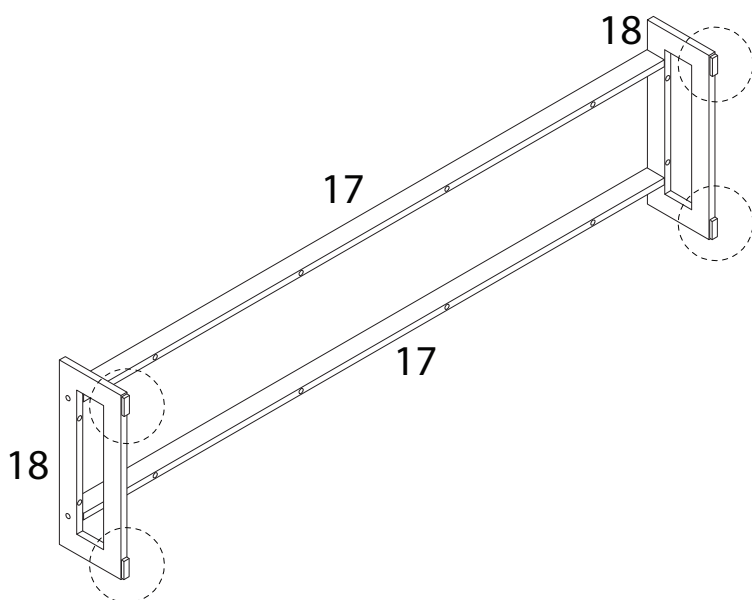
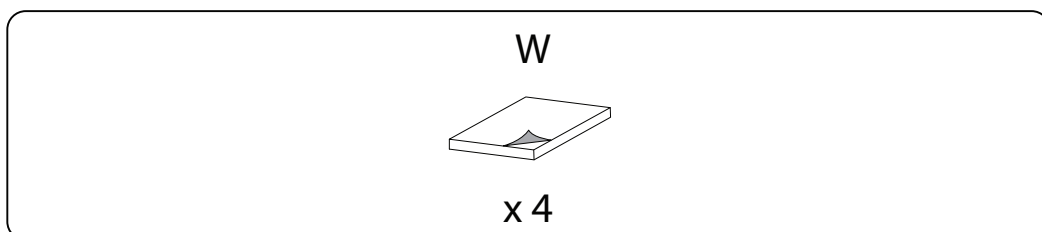




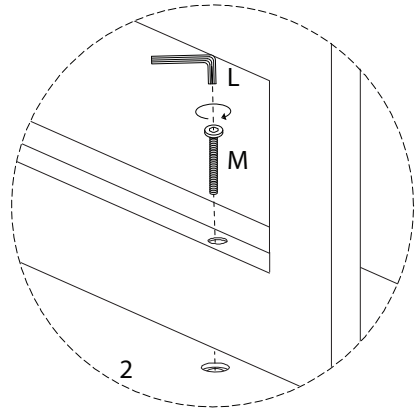
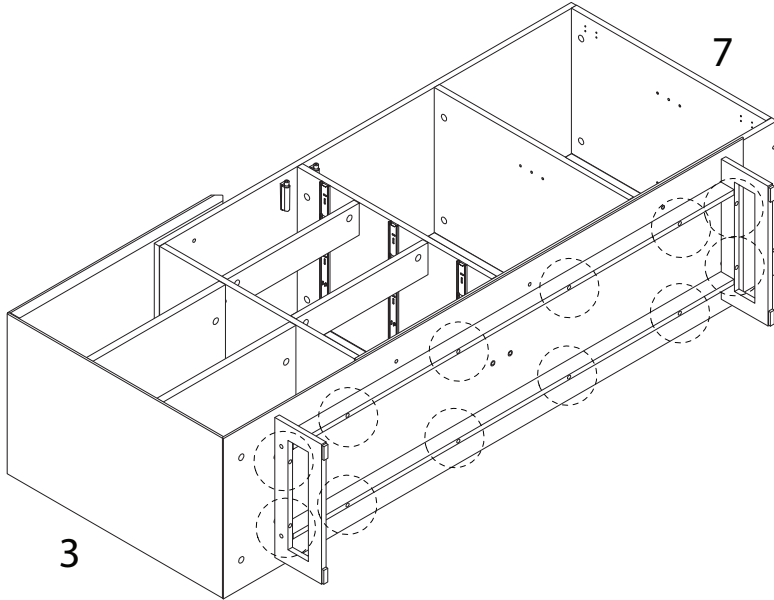
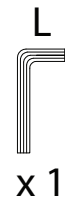
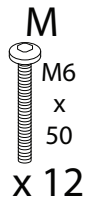
20



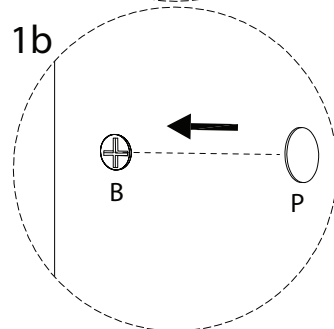
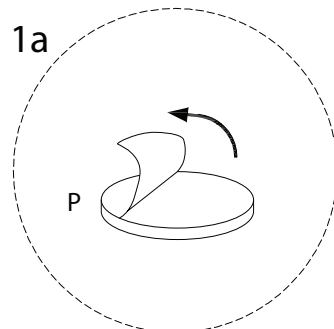
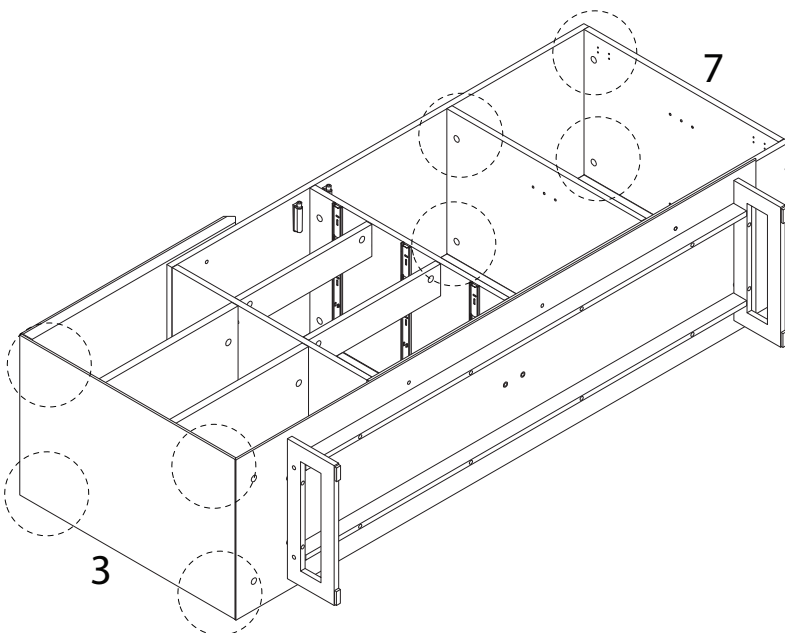
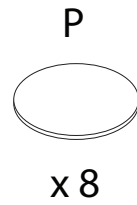
21



22

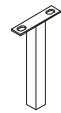


23



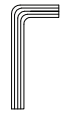
24

19



x 1

L

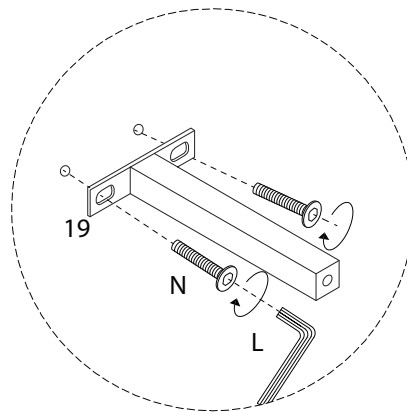
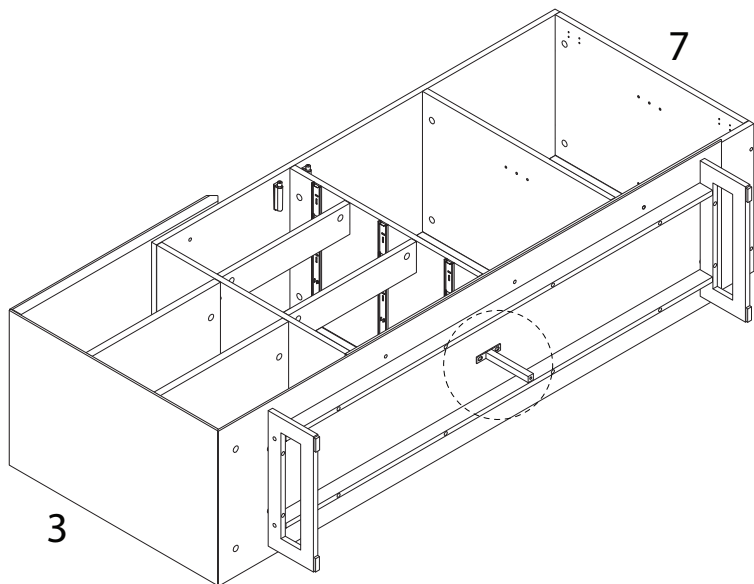


x 1

N



x 2

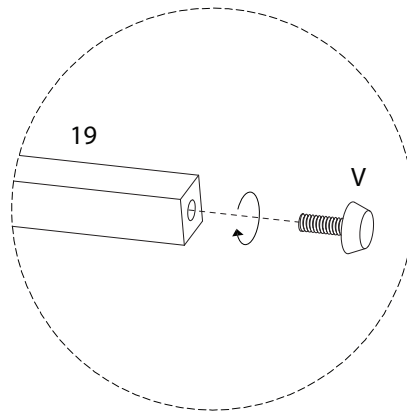
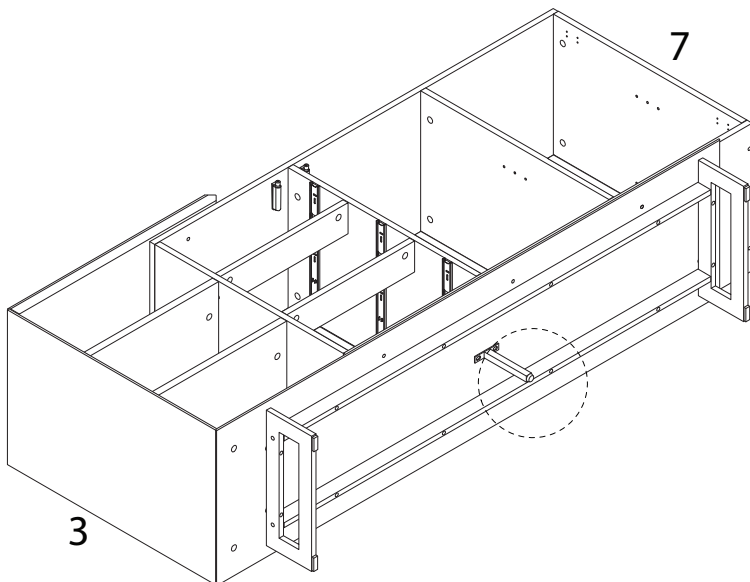


25

V



x 1

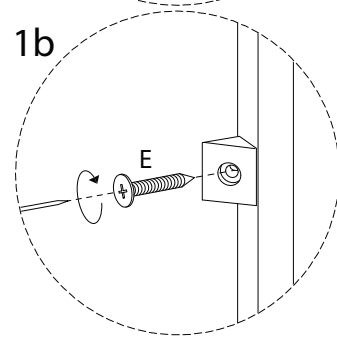
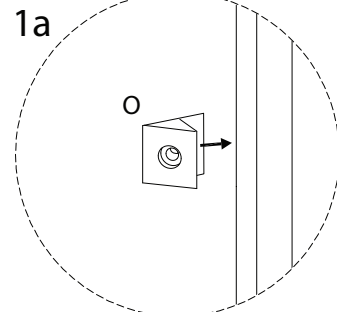
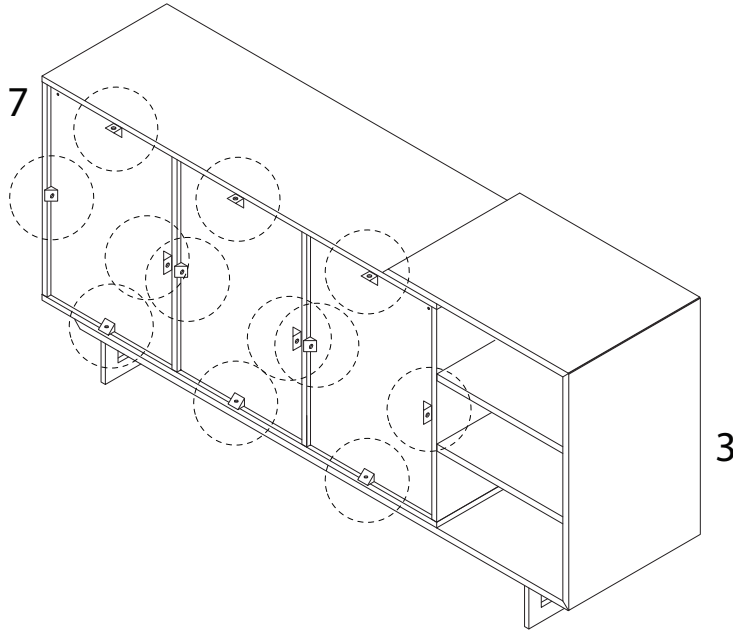


26

E

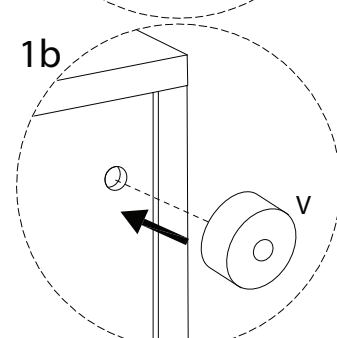
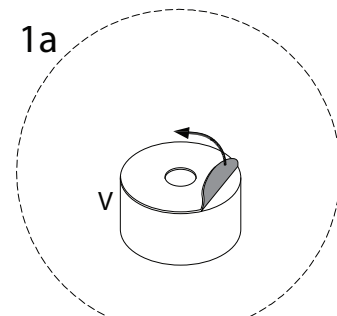
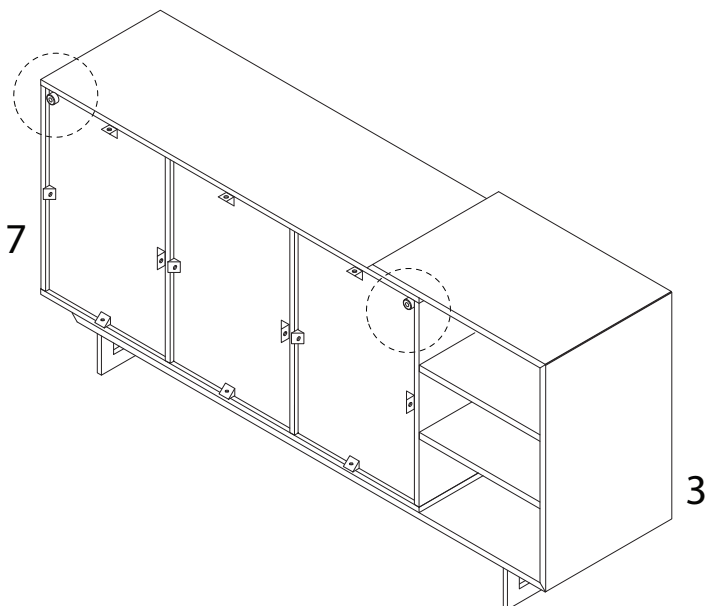


O

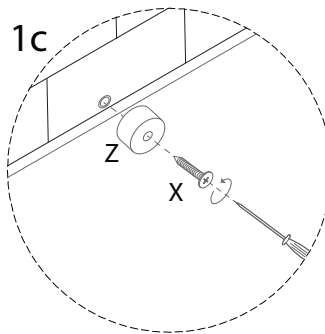
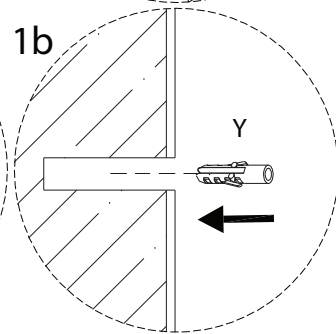
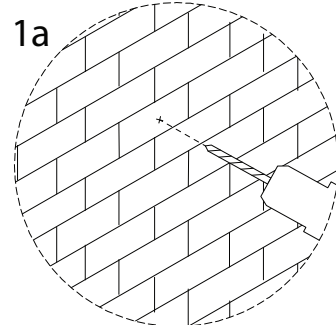
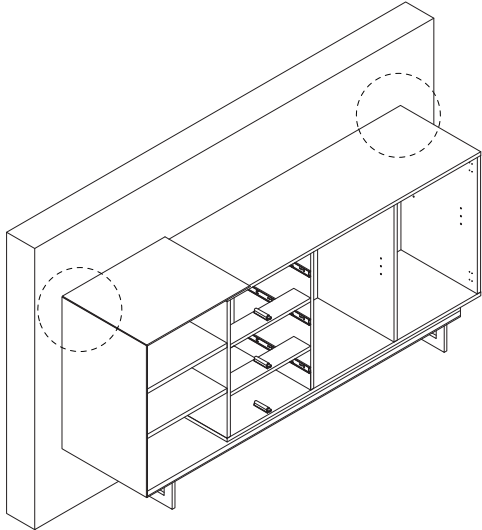
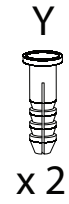
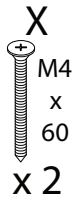


27

Z

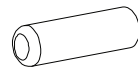


28

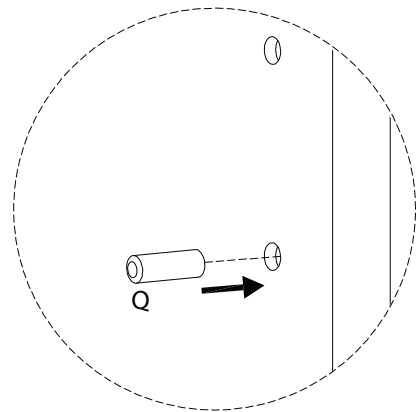
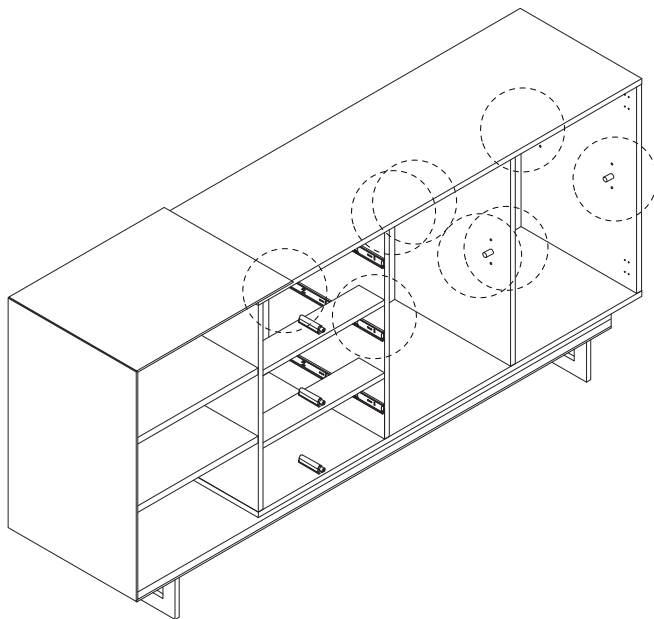


29

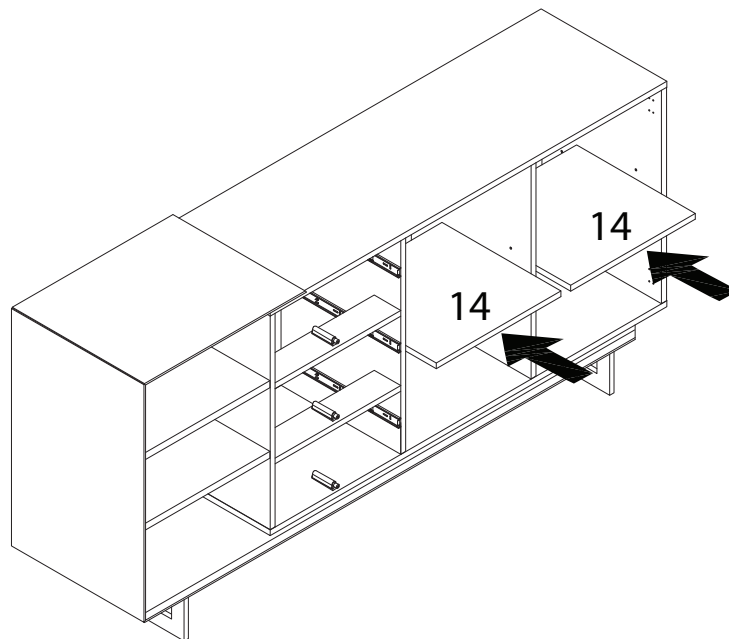
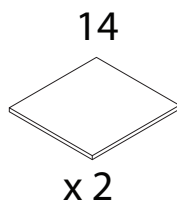
Q



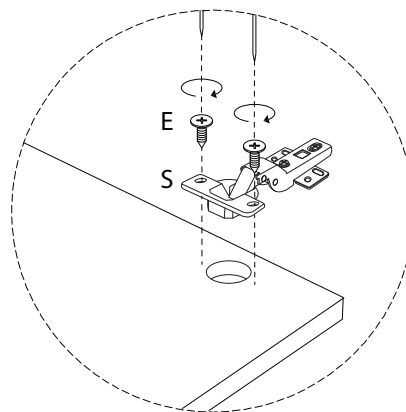
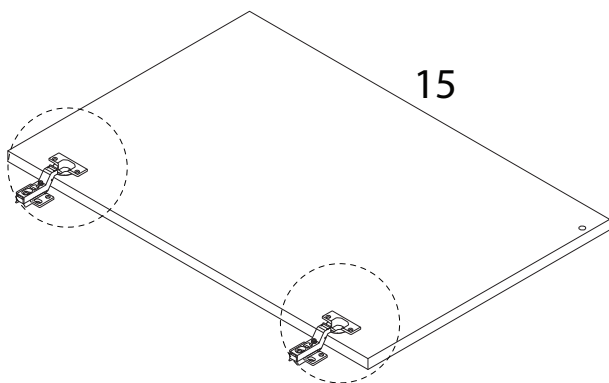
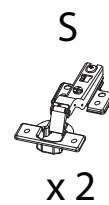
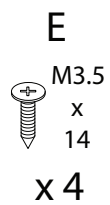
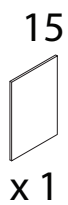
x 8



30



31



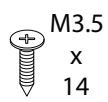
32

16



x 1

E

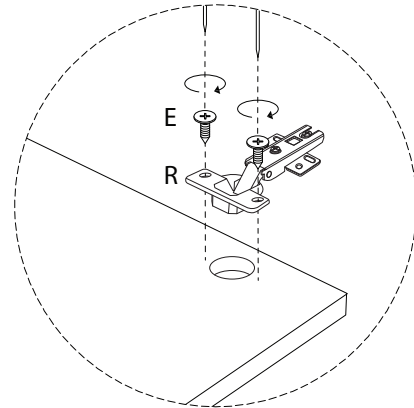
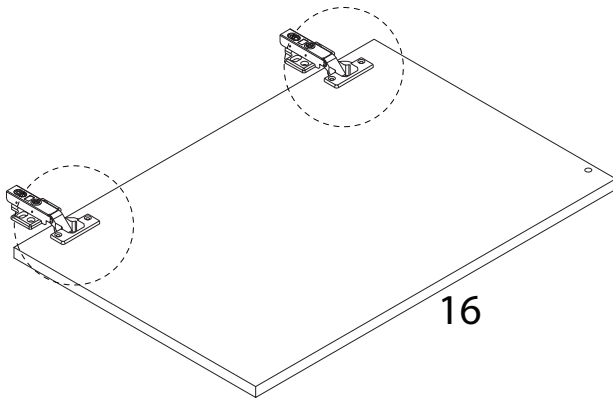


x 4

R

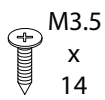


x 2



33

E

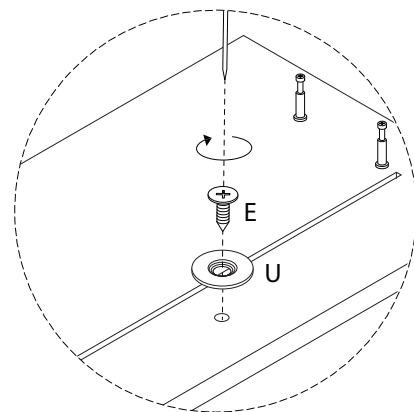
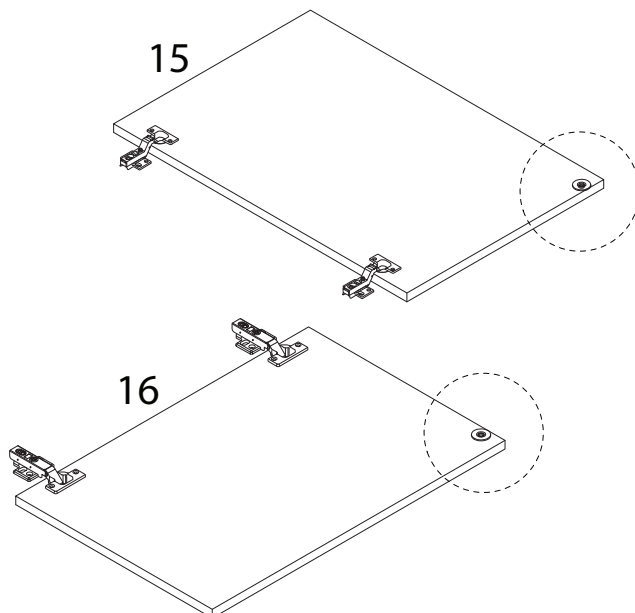


x 2

U

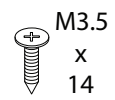


x 2

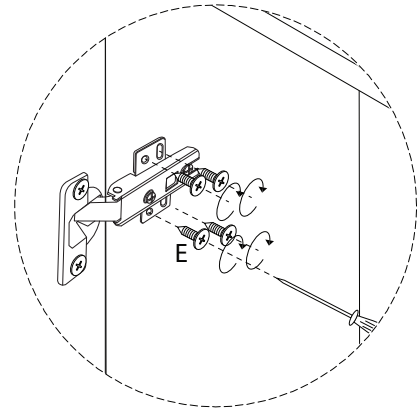
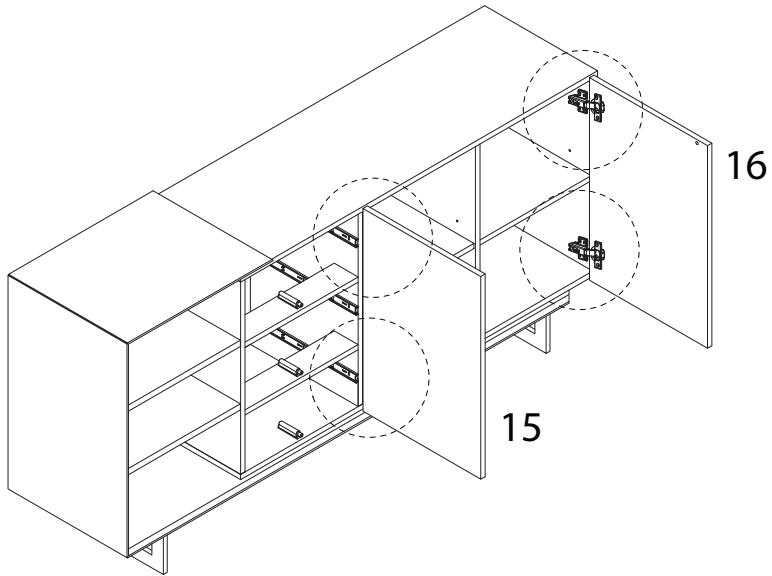


34

E

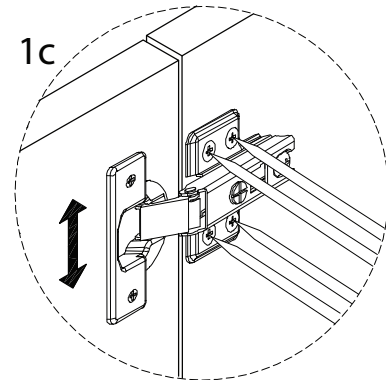
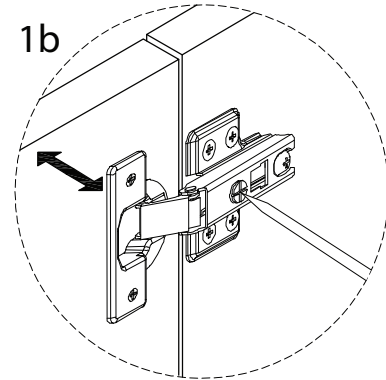
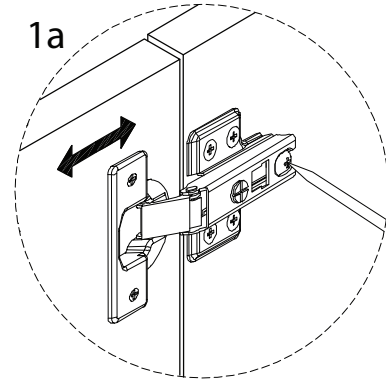
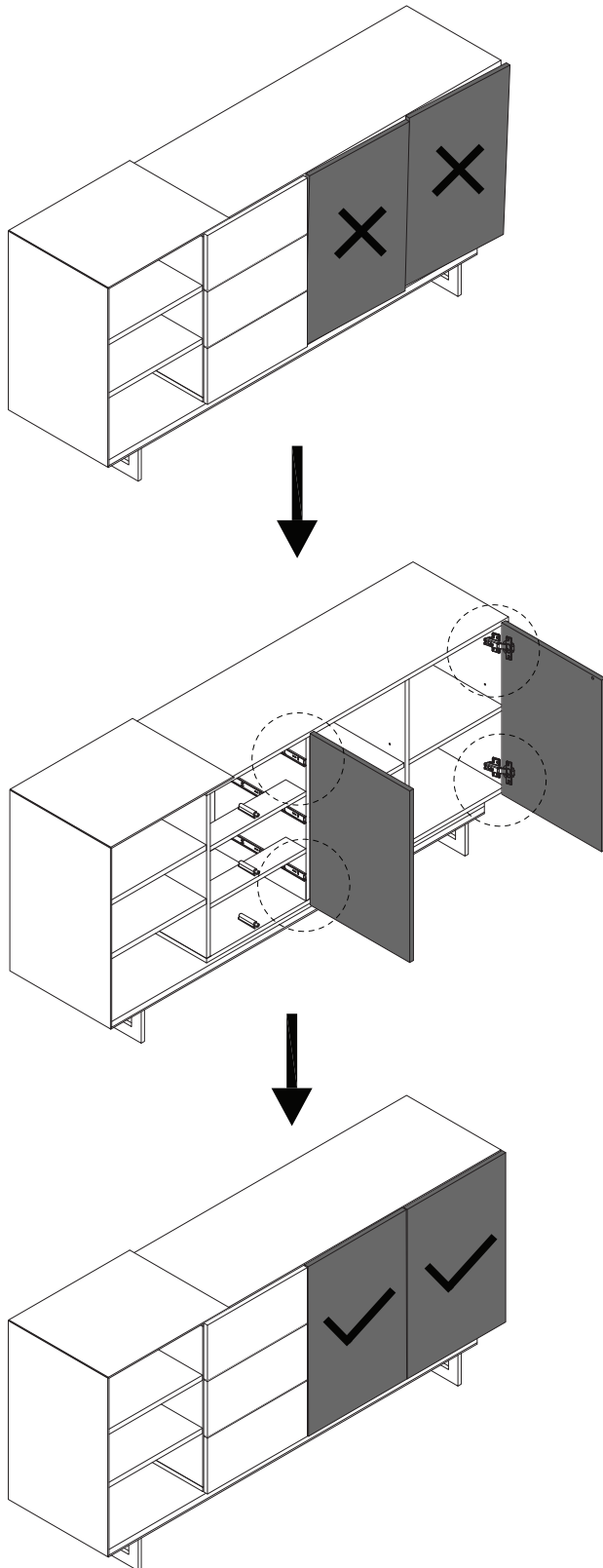


x 16



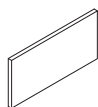


35



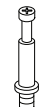
36 x 3

20

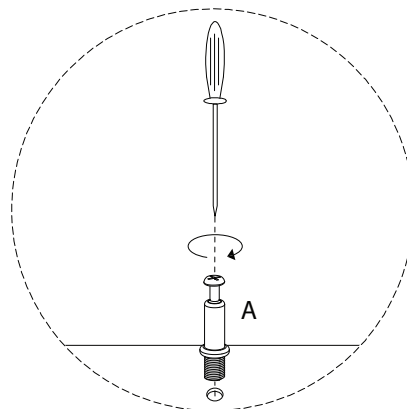
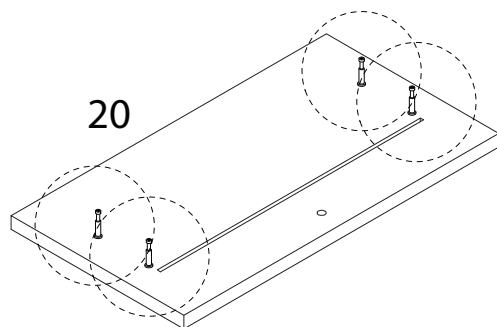


x 1

A

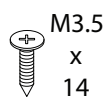


x 4



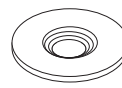
37 x 3

E

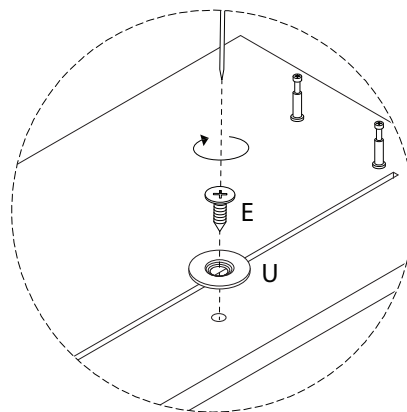
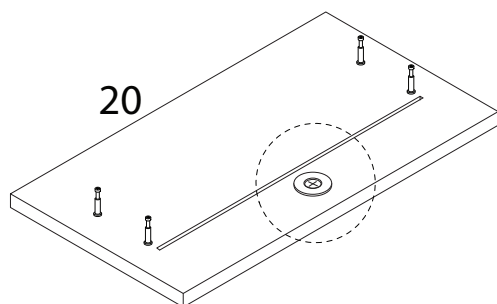


x 1

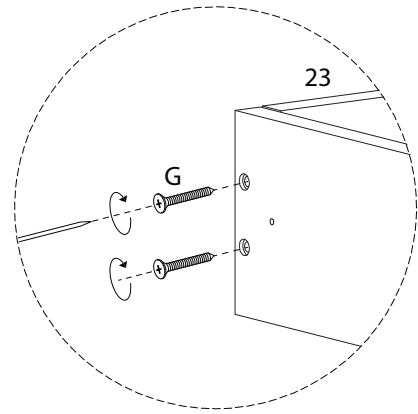
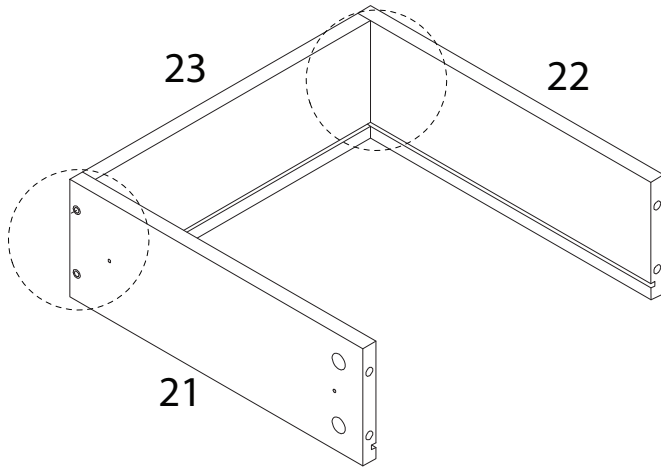
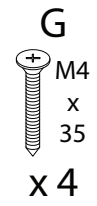
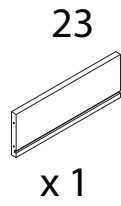
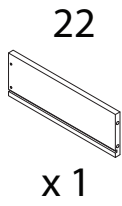
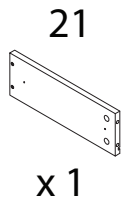
U



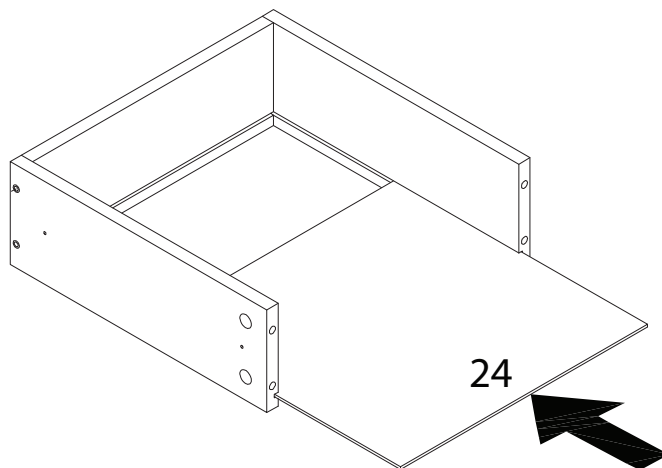
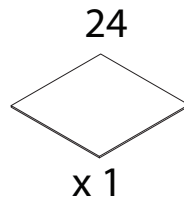
x 1



38 x 3



39 x 3

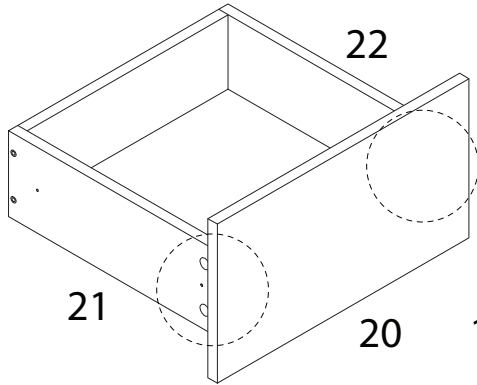


40 x 3

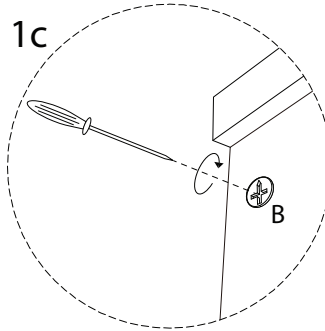
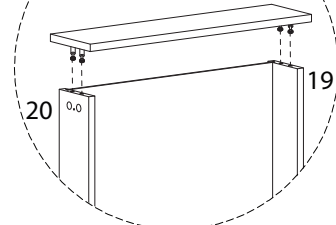
B



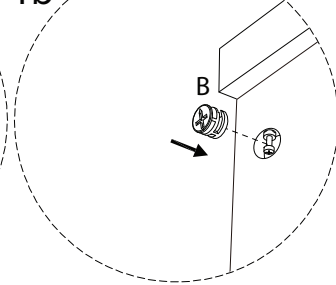
x 4



1a



1b

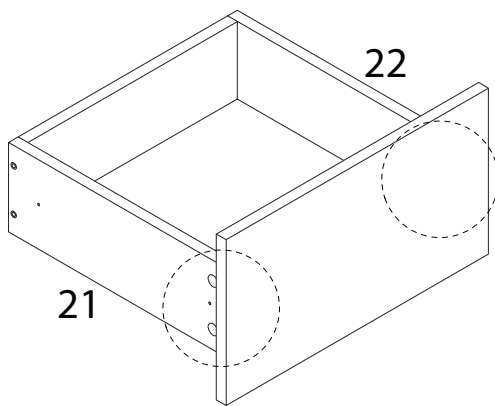


41 x 3

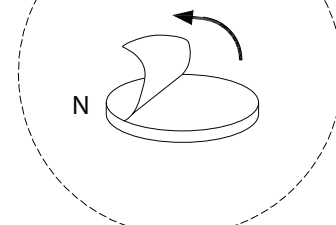
P



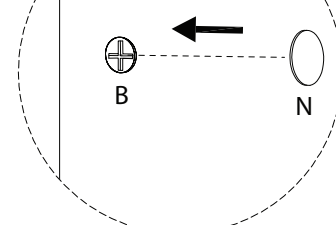
x 4



1a

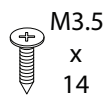


1b



42 x 3

E

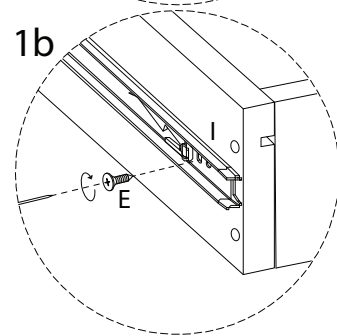
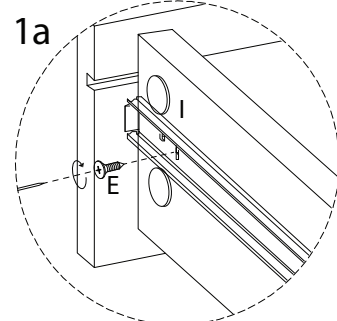
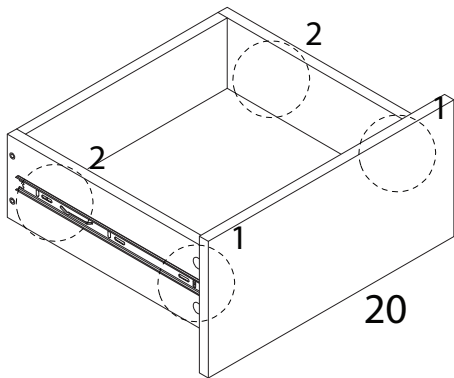


x 4

I



x 2



43

