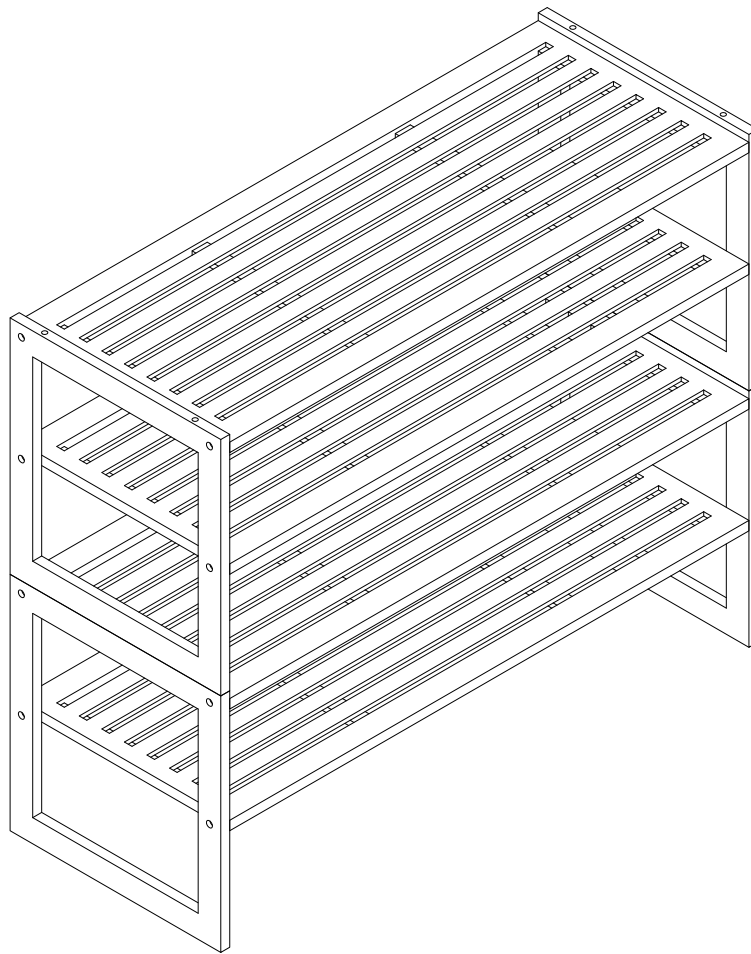


UVALDA



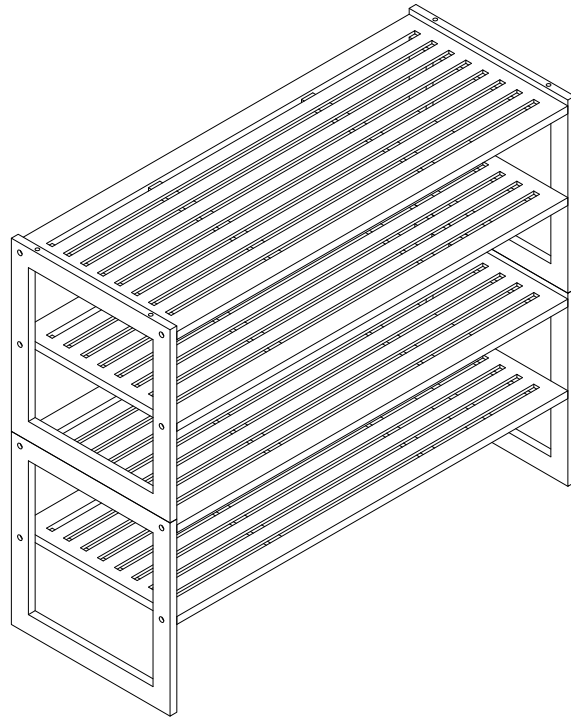
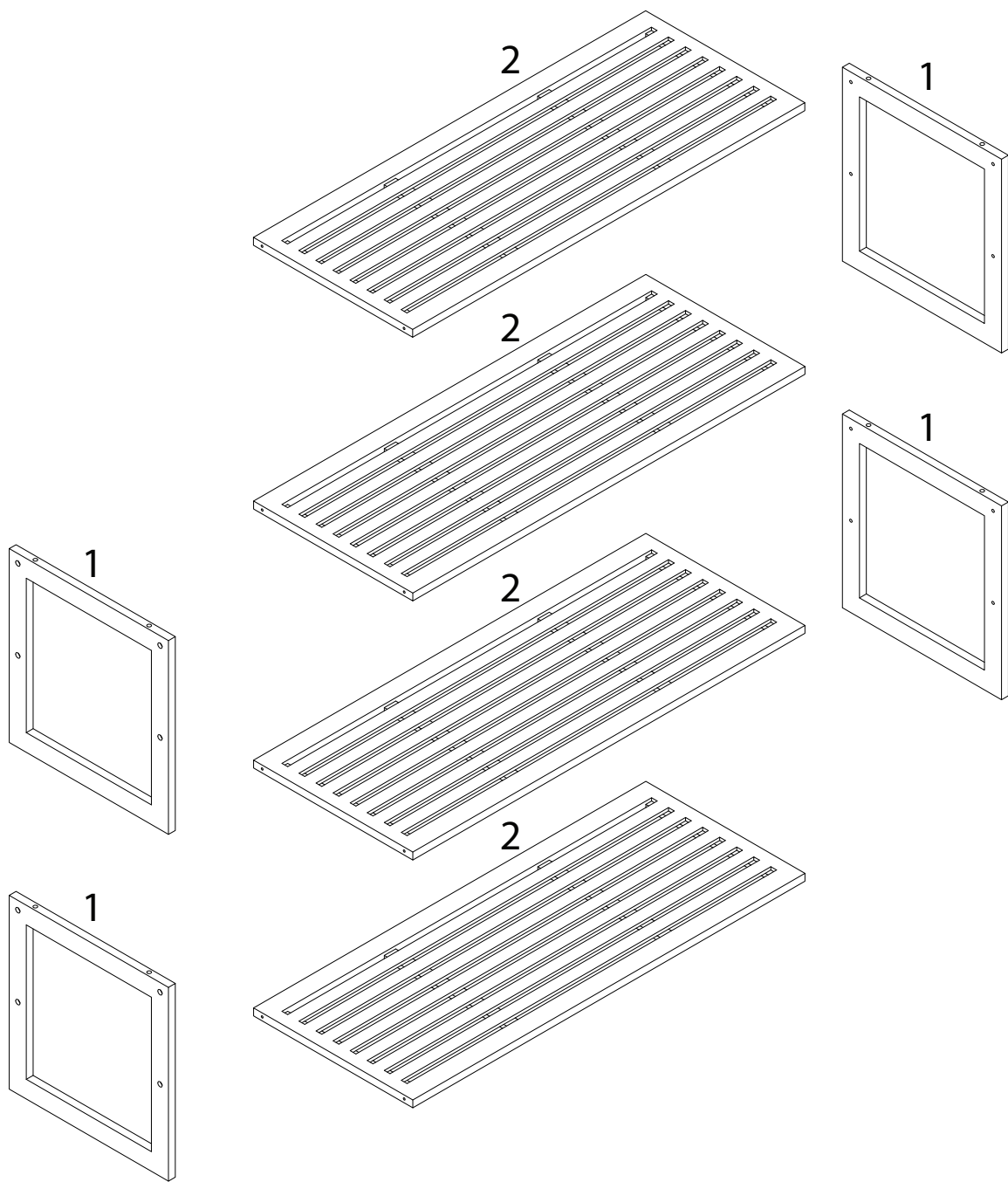
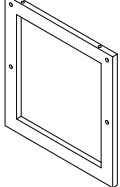
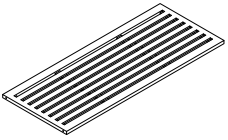
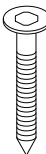

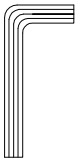


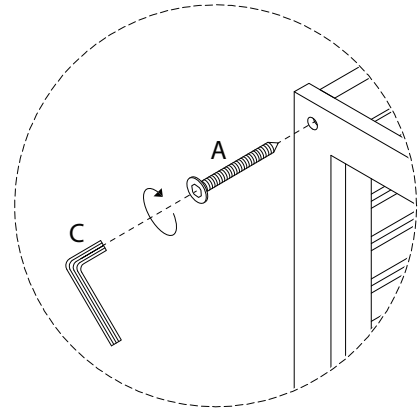
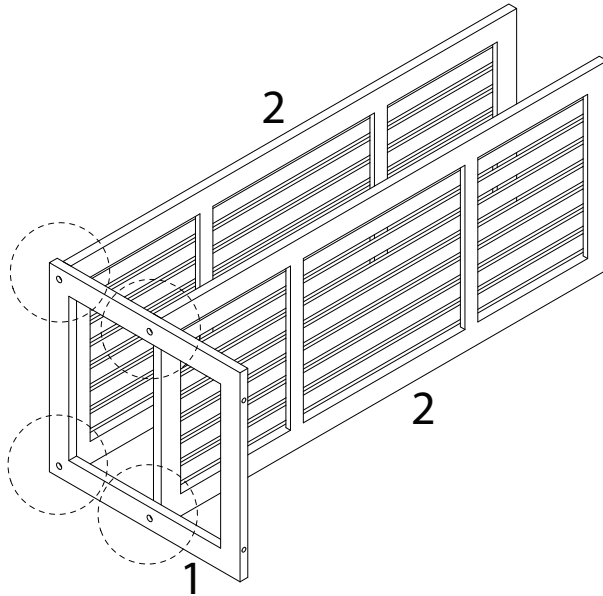
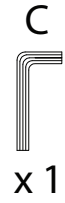
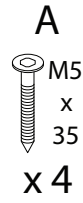
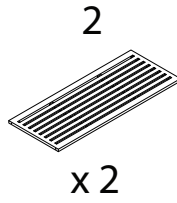
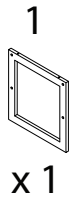
Diagram illustrating assembly instructions and safety warnings:

- Top Section:** Shows an L-shaped metal bracket and a power drill with a slash through it, indicating that a power drill should not be used for this step. A warning triangle with an exclamation mark is positioned to the right.
- Bottom Section:** Shows a rectangular metal plate being placed on a surface and a warning triangle with an exclamation mark, indicating a safety warning.
- Time:** A clock icon is shown next to the text "15'", indicating an estimated assembly time of 15 minutes.
- Personnel:** A person icon is shown next to the number "2", indicating that two people are required for assembly.

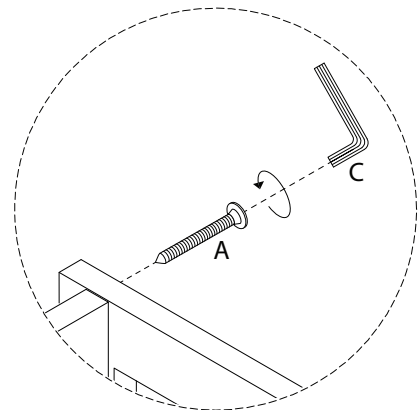
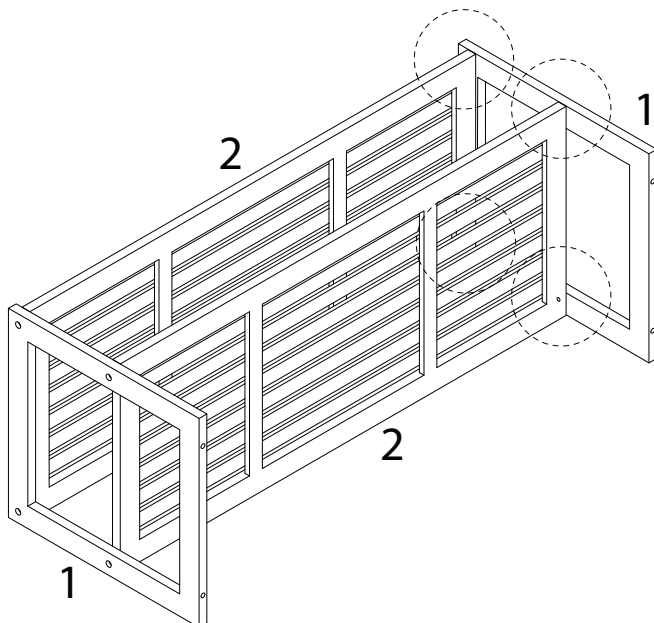
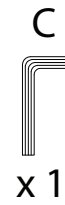
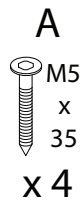


1	2	A	B	C
		 <p>M5 x 35</p>		
x 4	x 4	x 16	x 4	x 1

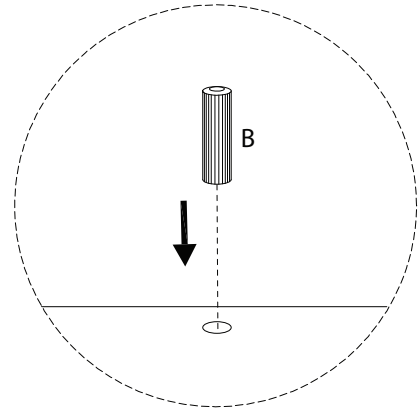
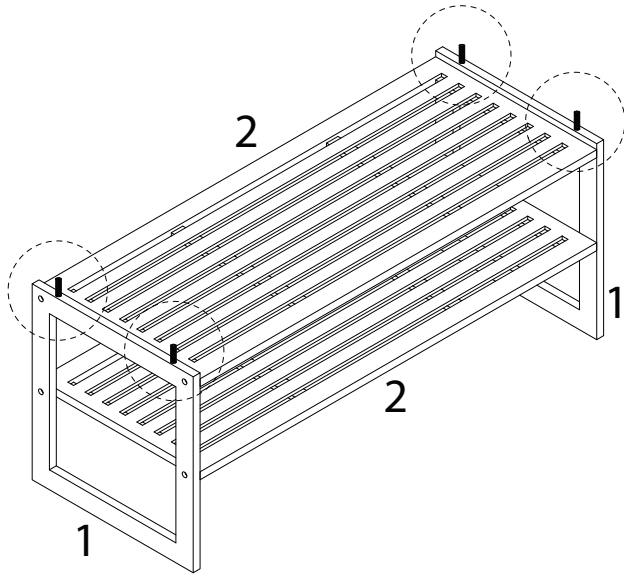
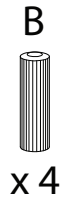
1 x 2



2 x 2



3



4

