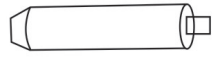


A X4



B X1



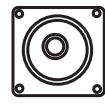
C X1



D X1

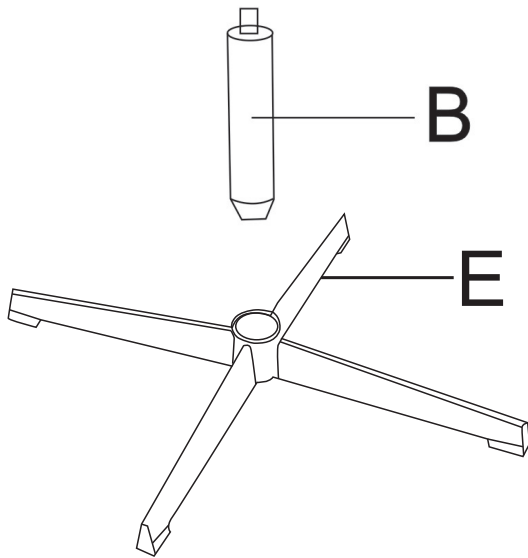


E

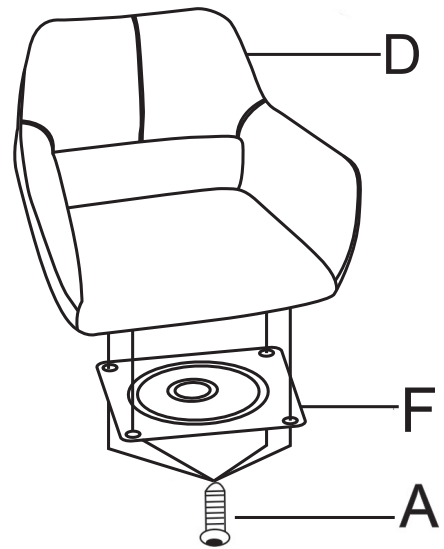


F

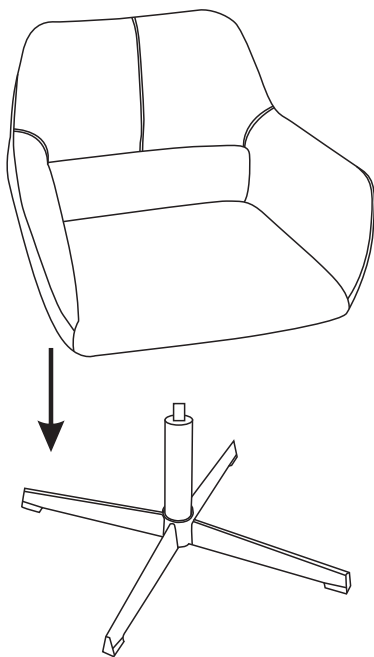
1



2



3



4

