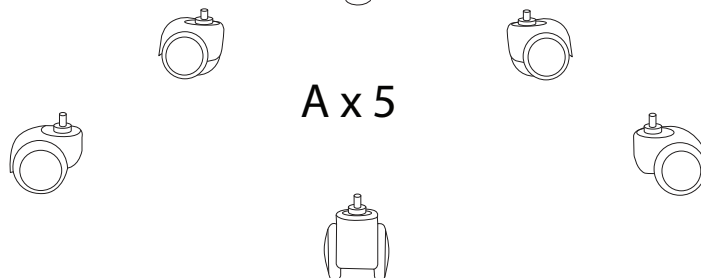
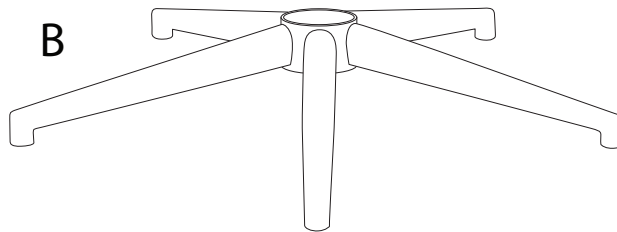
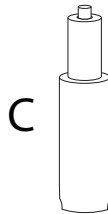
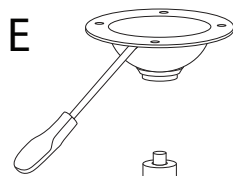
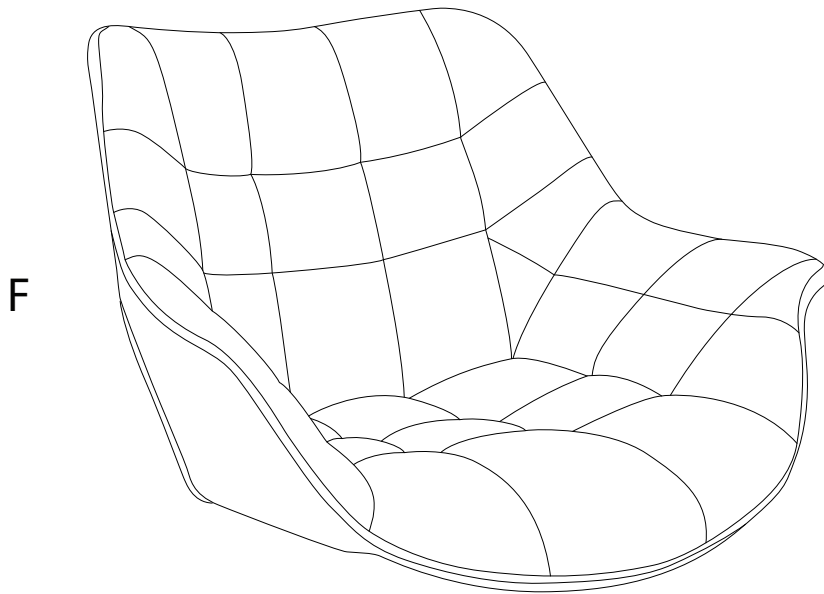


# LABELLE

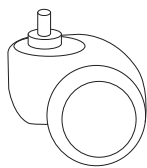




		<p>15'</p>
		<p>1</p>

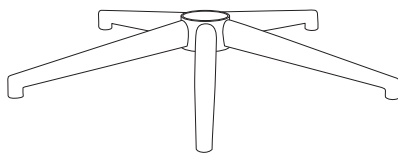


A



x 5

B



x 1

C



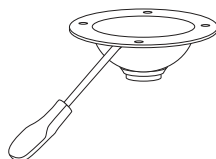
x 1

D



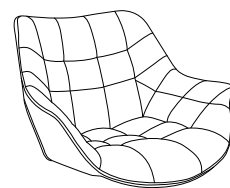
x 1

E



x 1

F



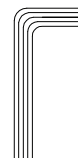
x 1

G



x 4

H



x 1

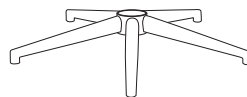
1

A

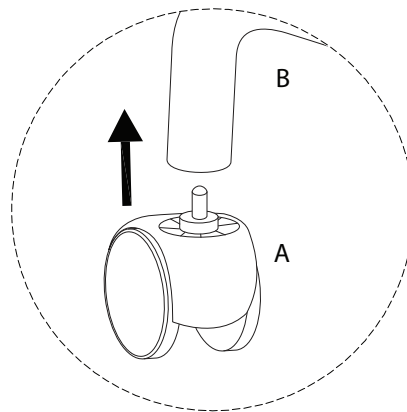
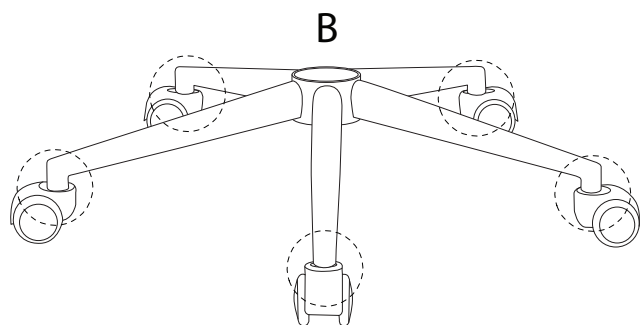


x 5

B

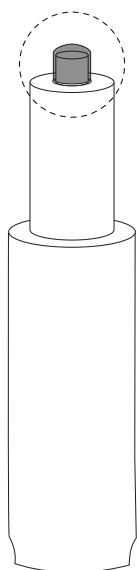


x 1

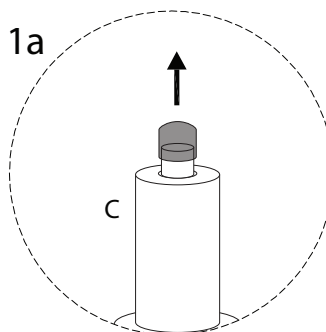


!

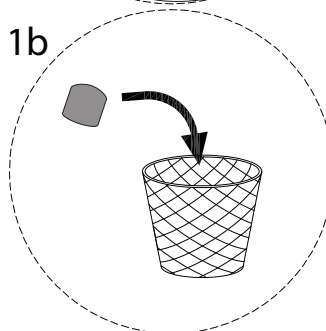
C



1a



1b



2

C

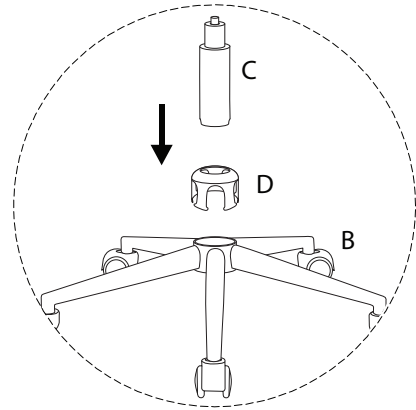
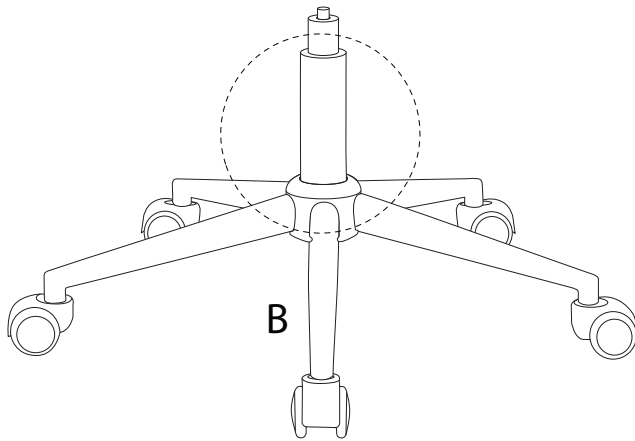


x 1

D



x 1



3

E



x 1

F



x 1

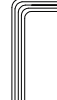
G



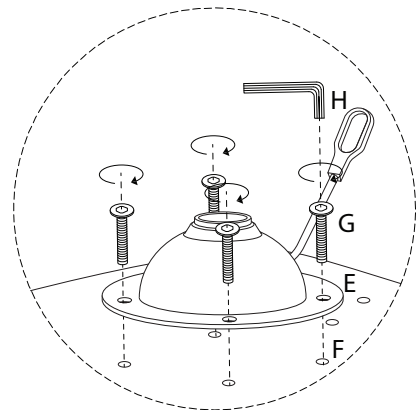
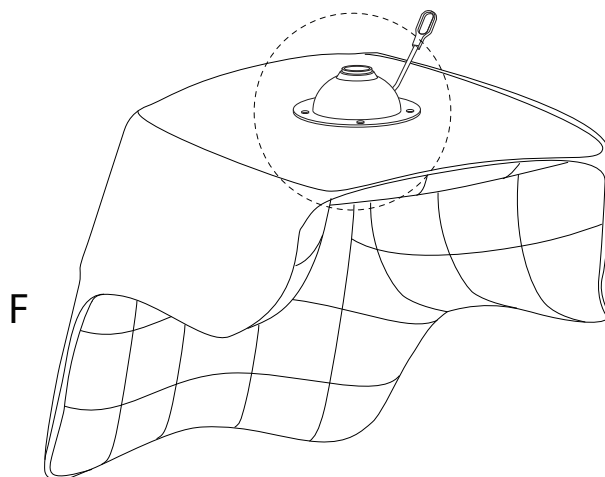
M6  
x  
18

x 4

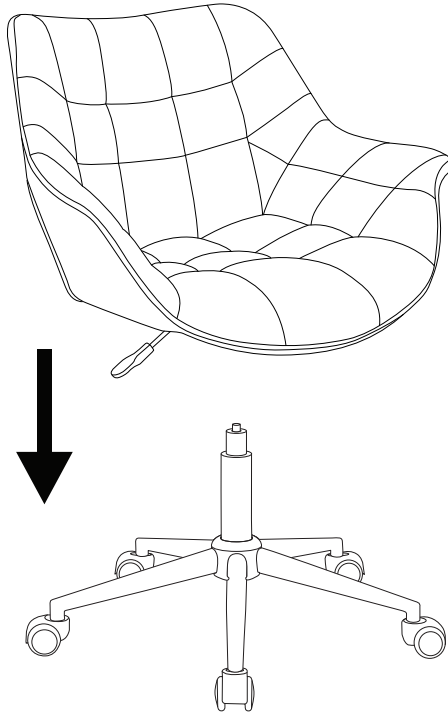
H



x 1



4



!

