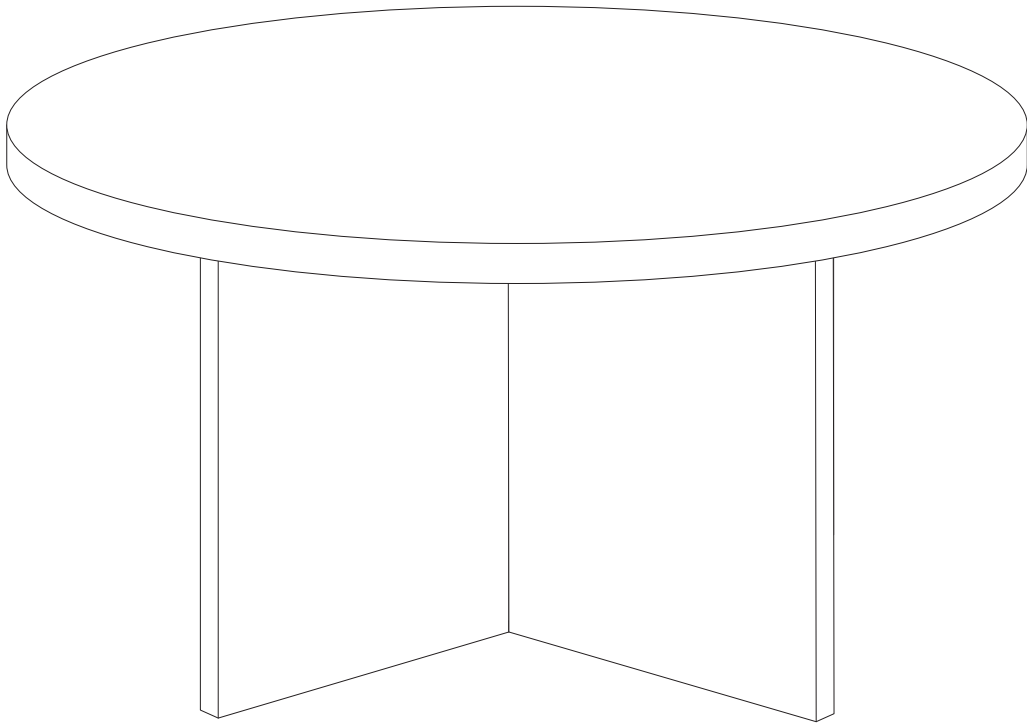
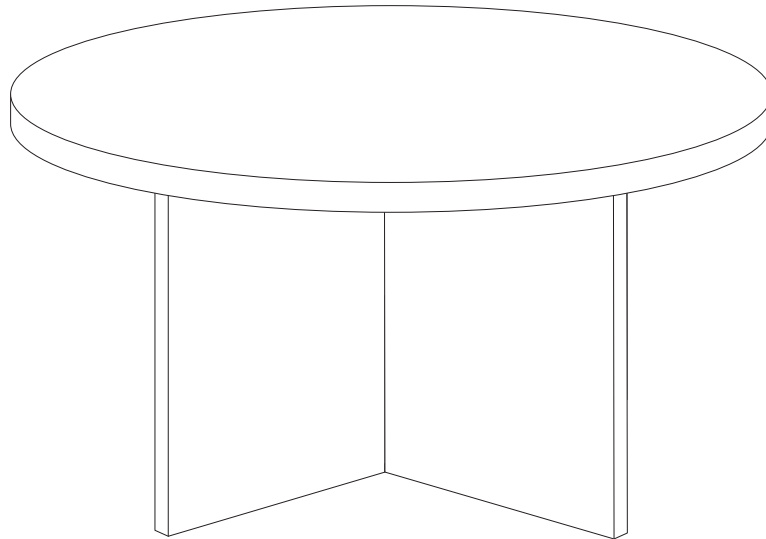
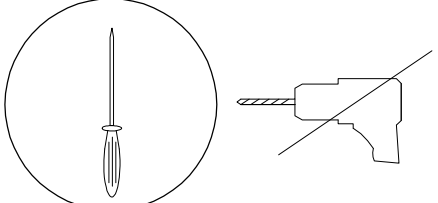

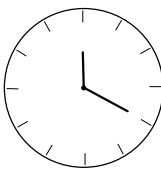
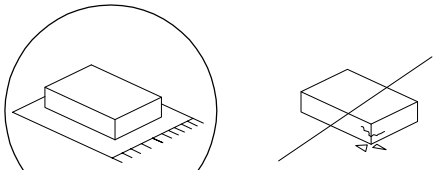


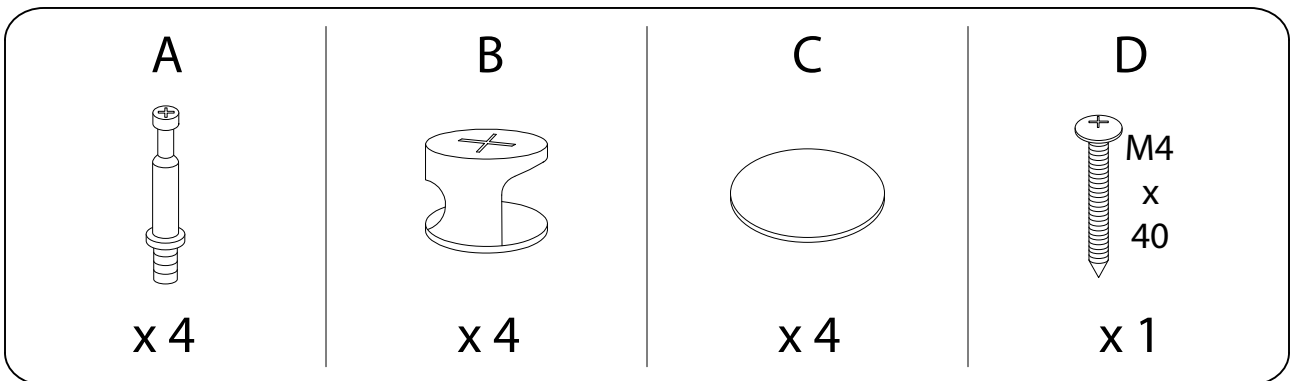
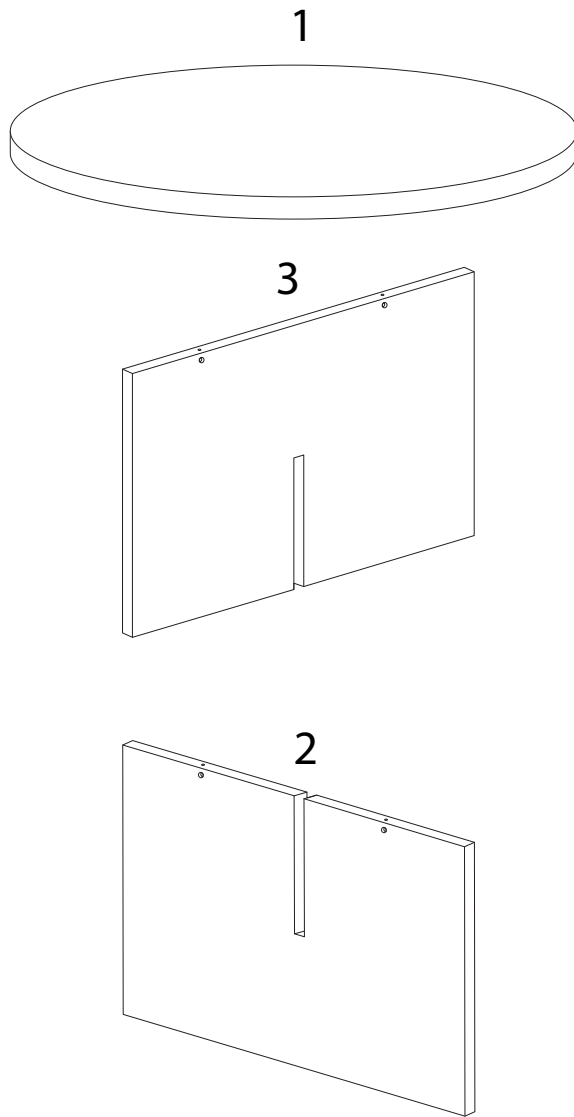
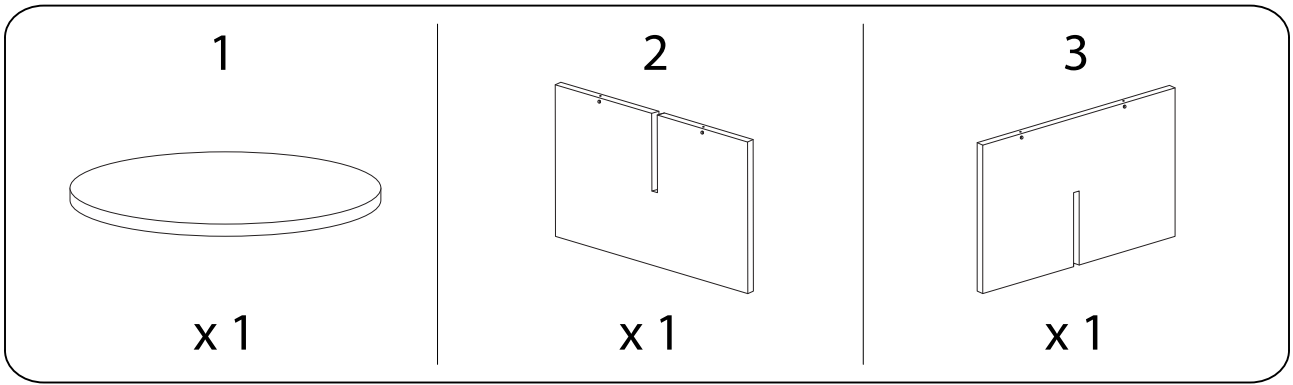


STANTON

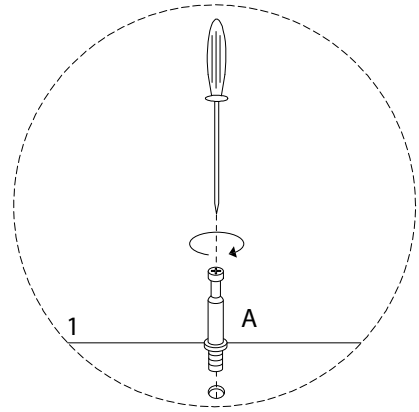
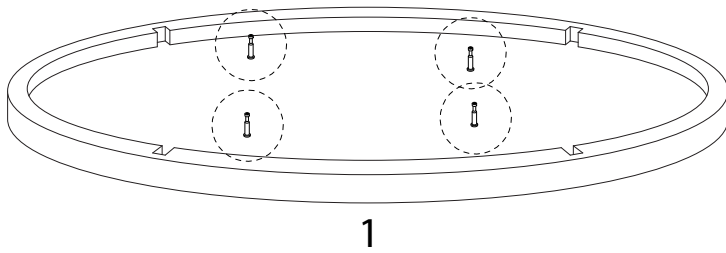
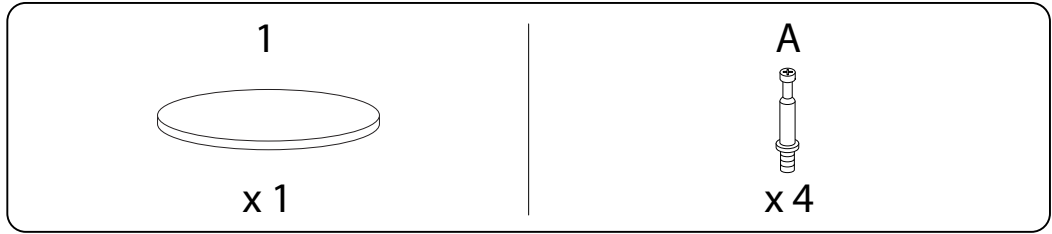




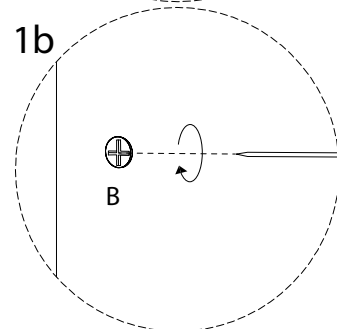
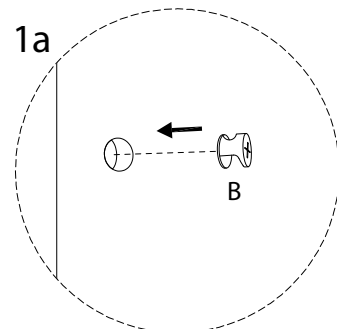
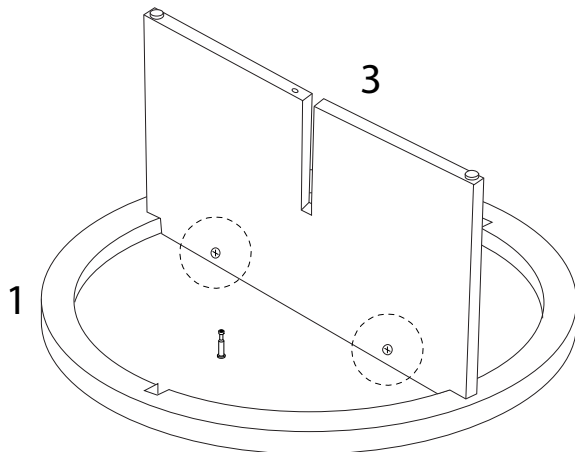
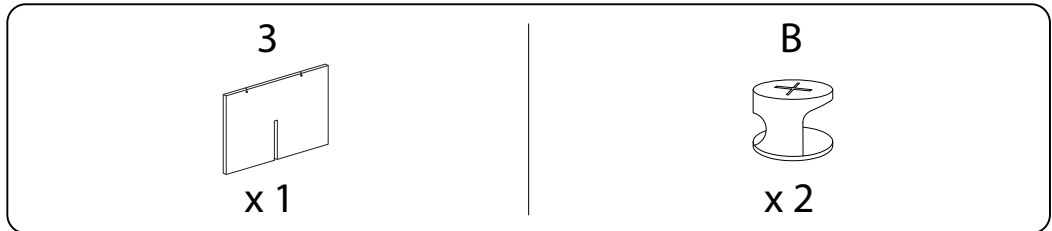
		
		20'
		
		2



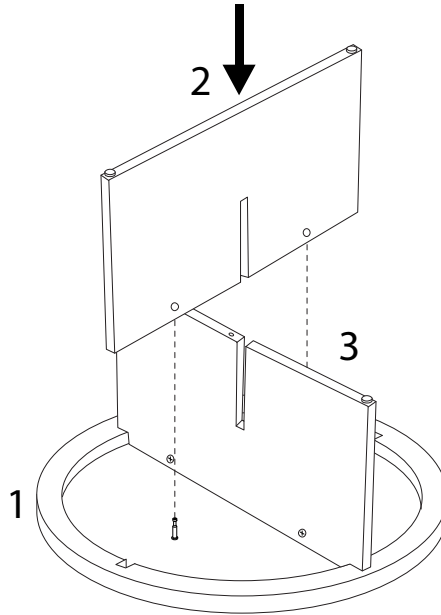
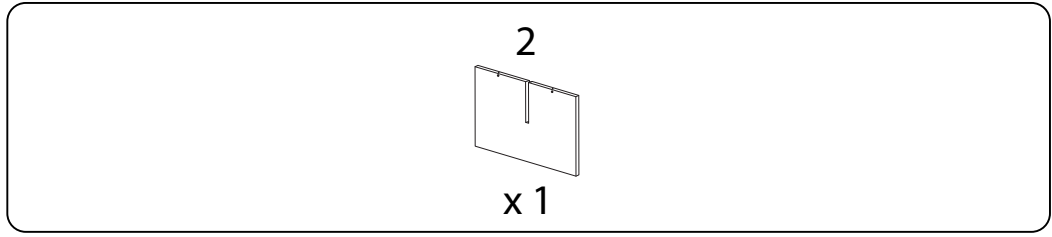
1



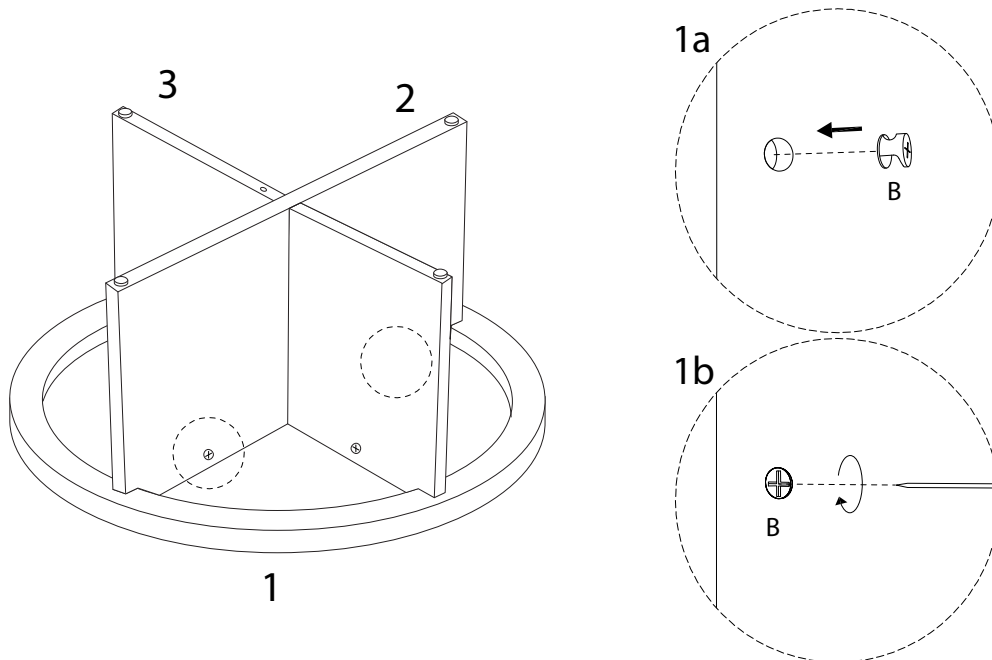
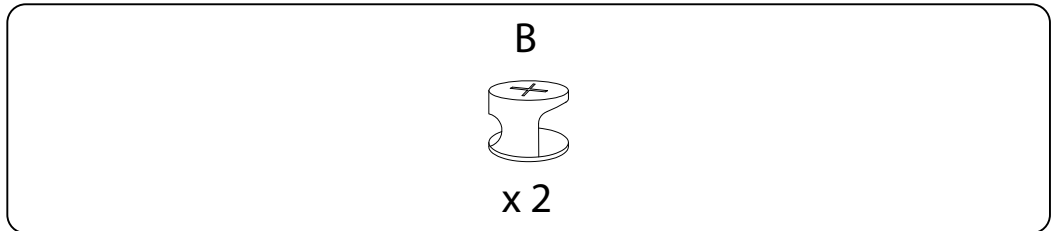
2



3

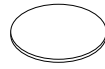


4

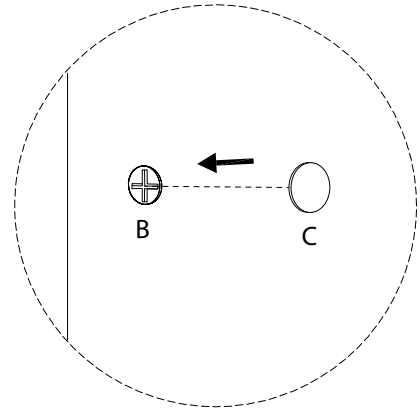
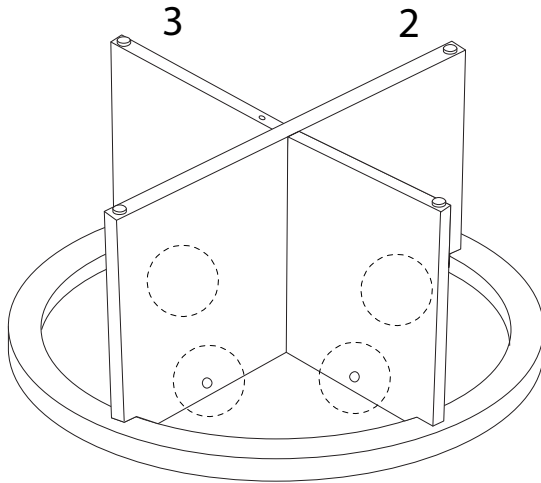


5

C

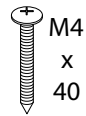


x 4



6

D



x 1

