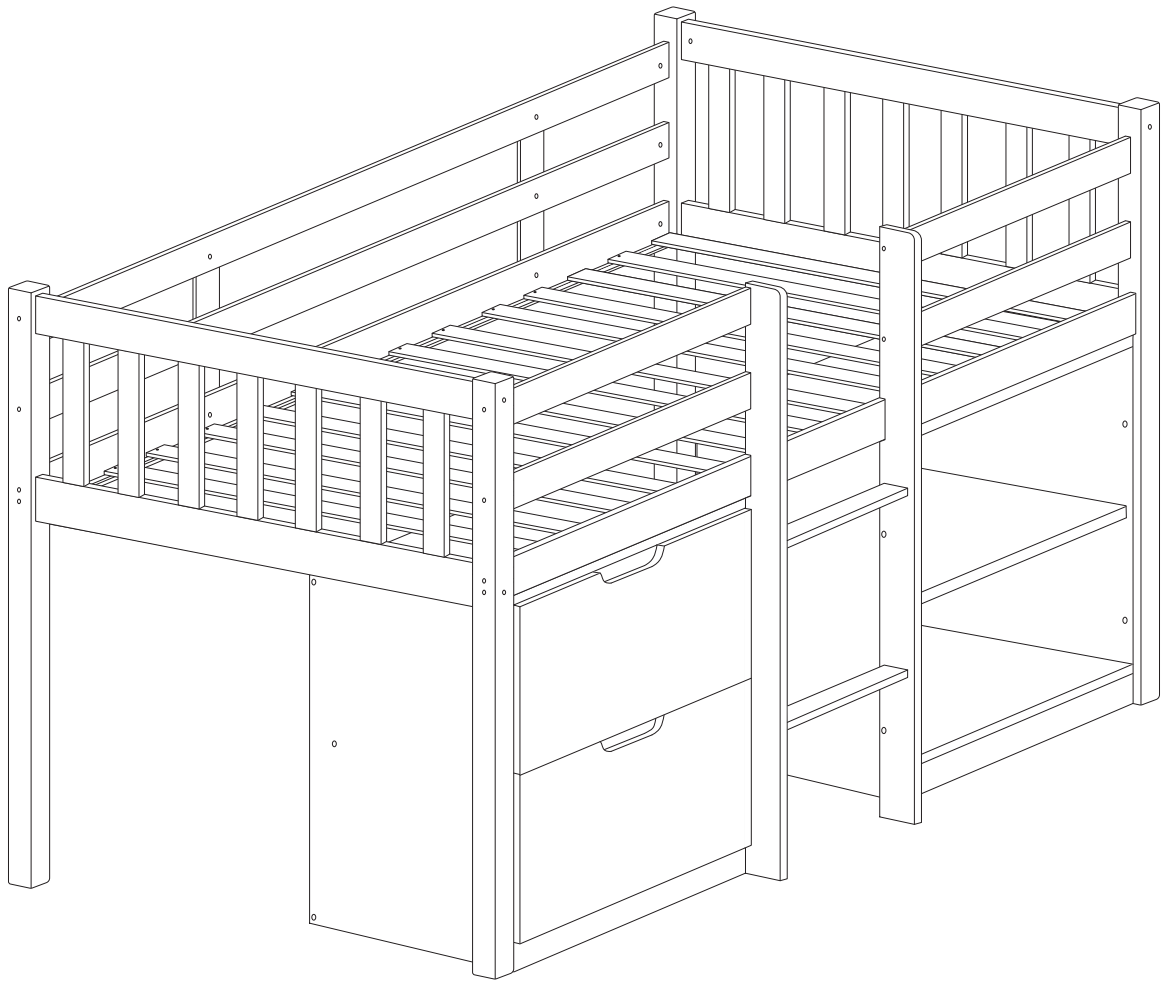
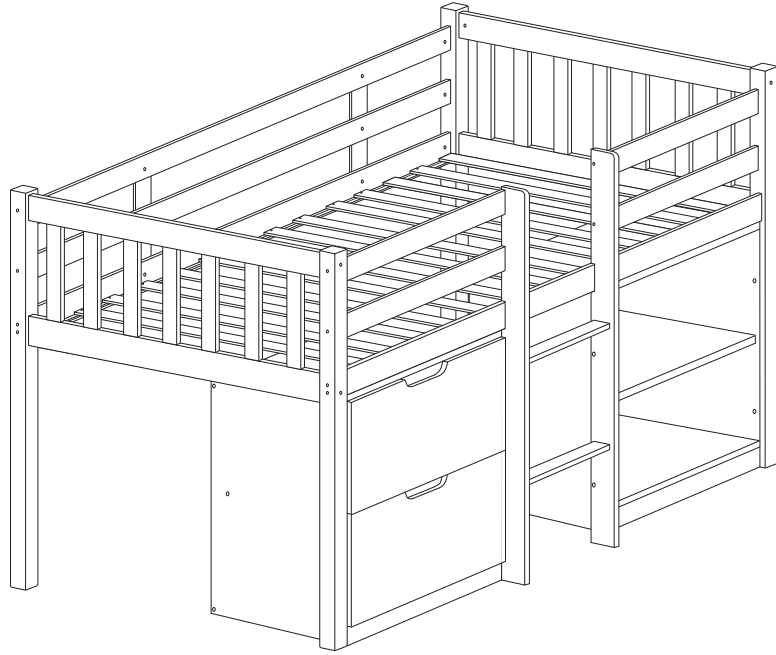
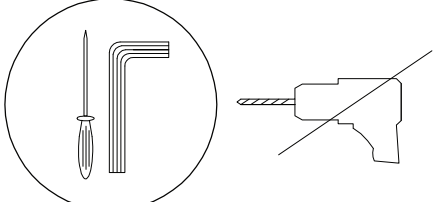

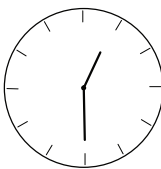
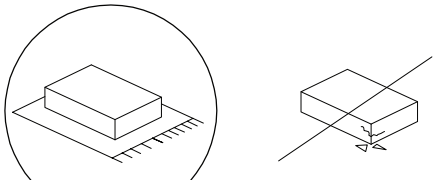


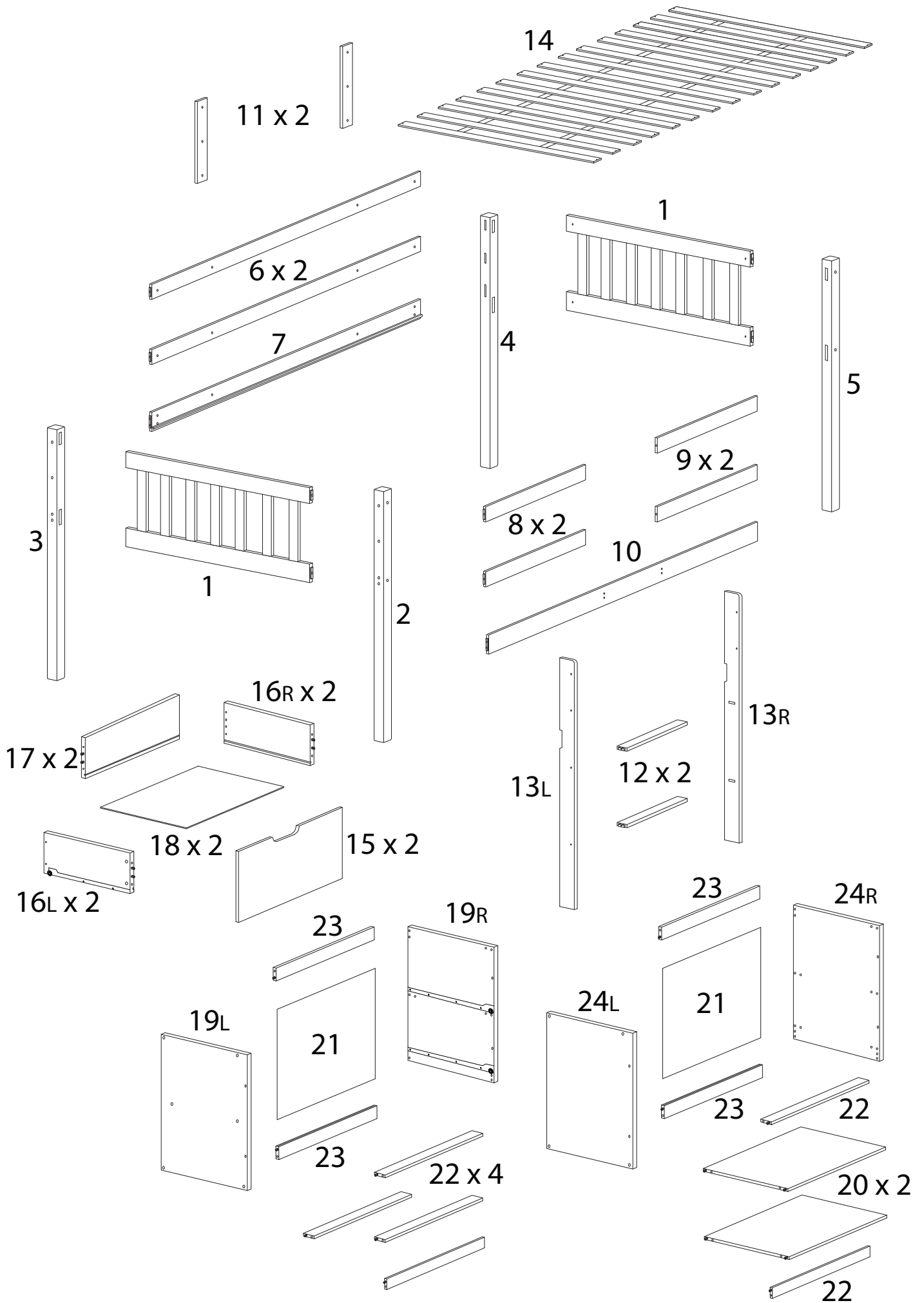


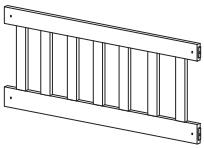




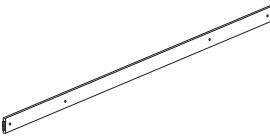
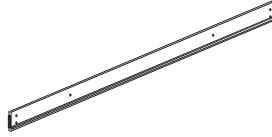


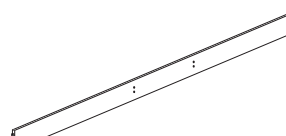





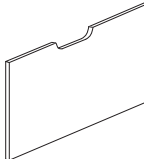
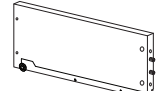

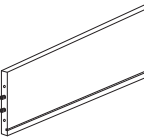

# SUSVILLE



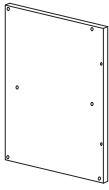


		
		<b>90'</b>
		
		<b>2</b>



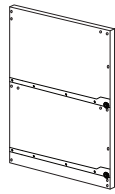
<p>1</p>  <p>x 2</p>	<p>2</p>  <p>x 1</p>	<p>3</p>  <p>x 1</p>	<p>4</p>  <p>x 1</p>
<p>5</p>  <p>x 1</p>	<p>6</p>  <p>x 2</p>	<p>7</p>  <p>x 1</p>	<p>8</p>  <p>x 2</p>
<p>9</p>  <p>x 2</p>	<p>10</p>  <p>x 1</p>	<p>11</p>  <p>x 2</p>	<p>12</p>  <p>x 2</p>
<p>13L</p>  <p>x 1</p>	<p>13R</p>  <p>x 1</p>	<p>14</p>  <p>x 1</p>	<p>15</p>  <p>x 2</p>
<p>16L</p>  <p>x 2</p>	<p>16R</p>  <p>x 2</p>	<p>17</p>  <p>x 2</p>	<p>18</p>  <p>x 2</p>

19L



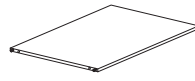
x 1

19R



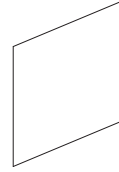
x 1

20



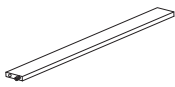
x 2

21



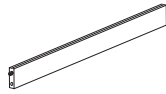
x 2

22



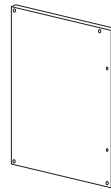
x 6

23



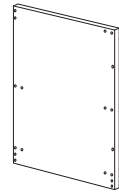
x 4

24L



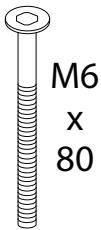
x 1

24R



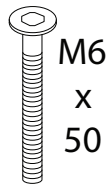
x 1

A



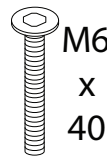
M6  
x  
80  
x 24

B



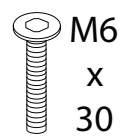
M6  
x  
50  
x 8

C



M6  
x  
40  
x 4

D



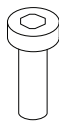
M6  
x  
30  
x 30

E



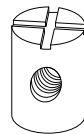
M6  
x  
25  
x 4

F



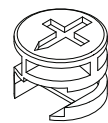
x 4

G



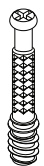
x 32

H



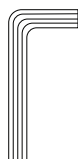
x 16

I



x 16

J



x 2

K



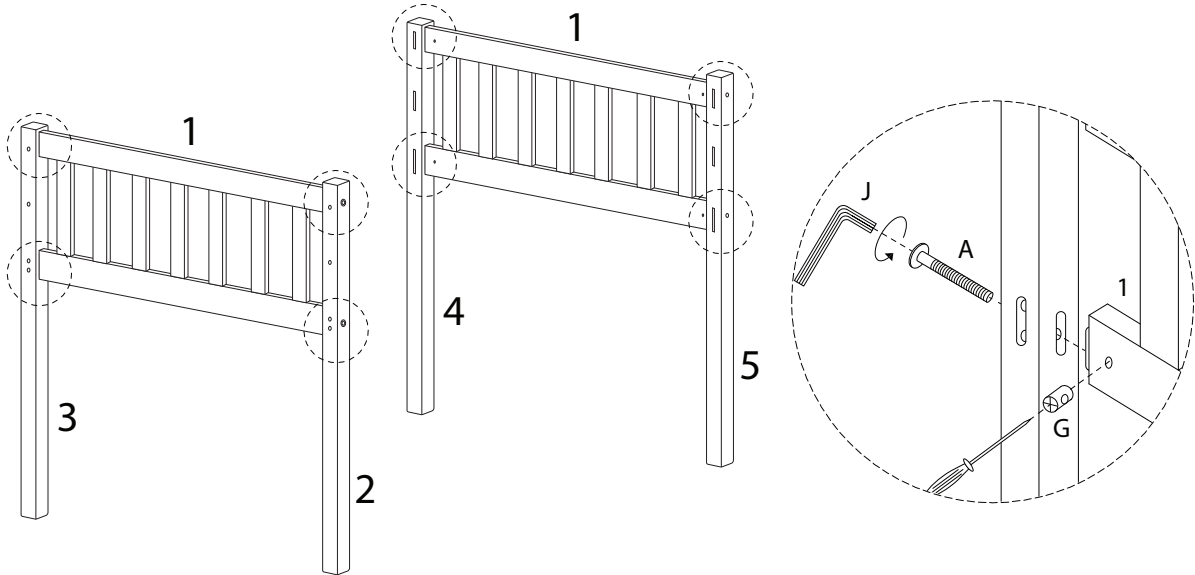
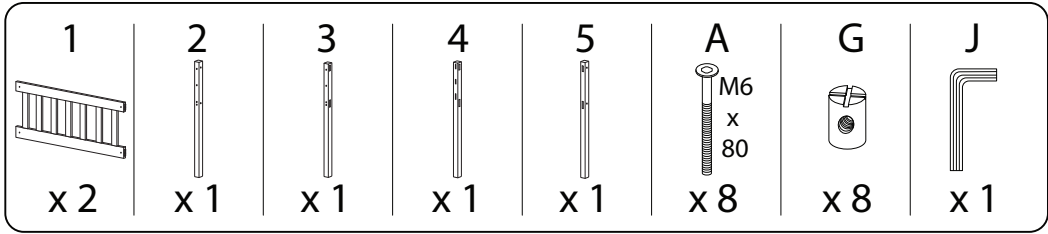
M8  
x  
25  
x 38

L

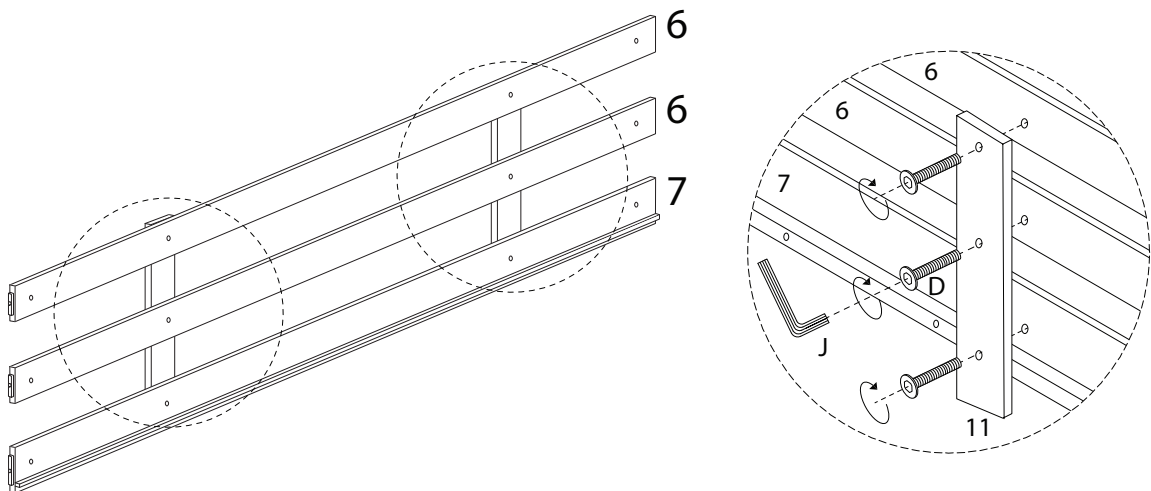
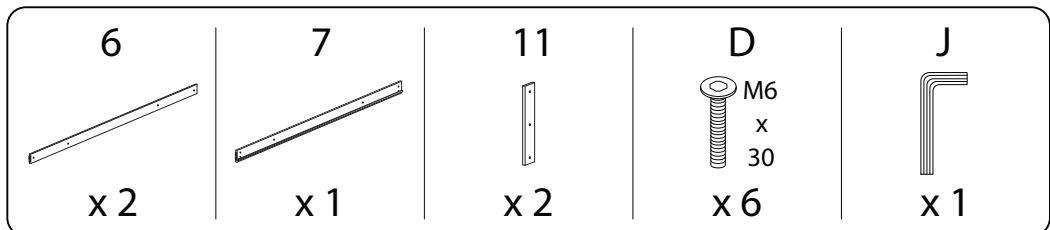


x 24



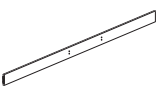



1

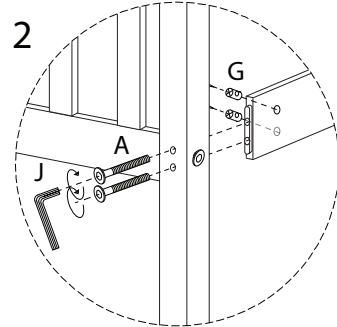
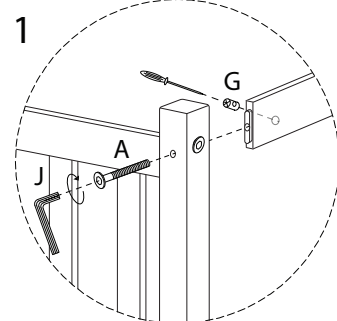
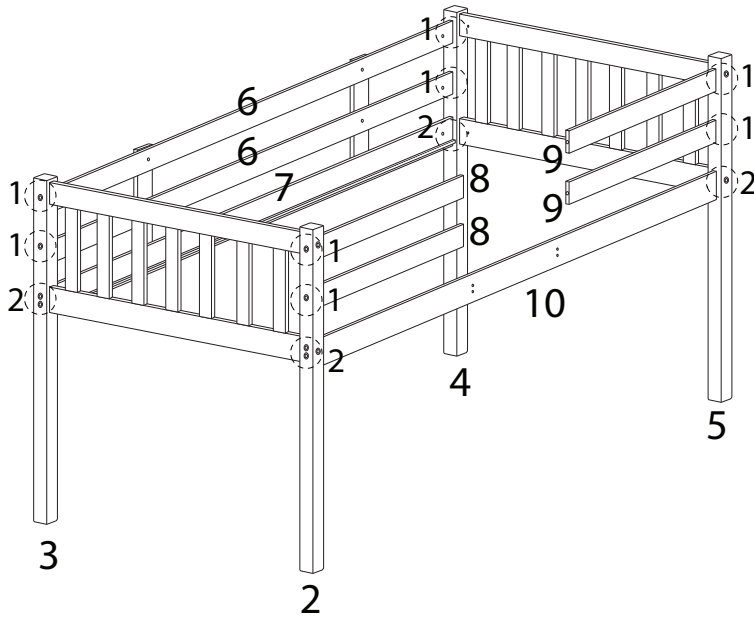


2




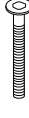




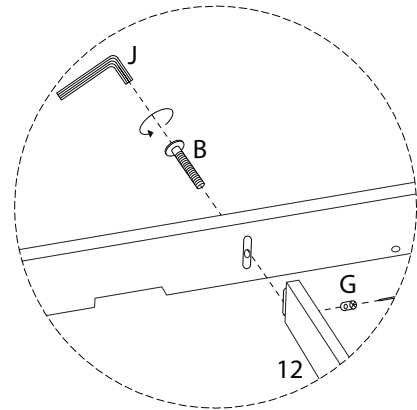
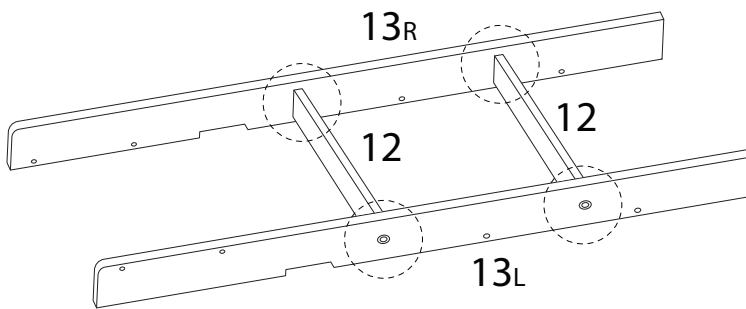
3

8  x 2	9  x 2	10  x 1	A  x 16	G  x 16	J  x 1
---	---	--	--	--	---



4

12  x 2	13L  x 1	13R  x 1	B  x 4	G  x 4	J  x 1
--	---	---	---	---	---



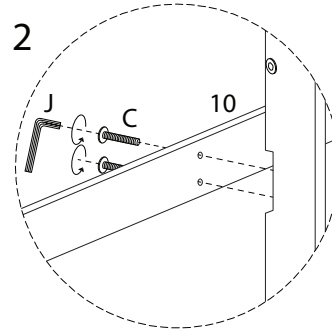
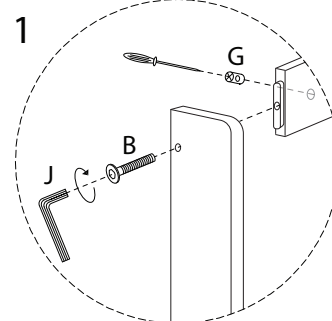
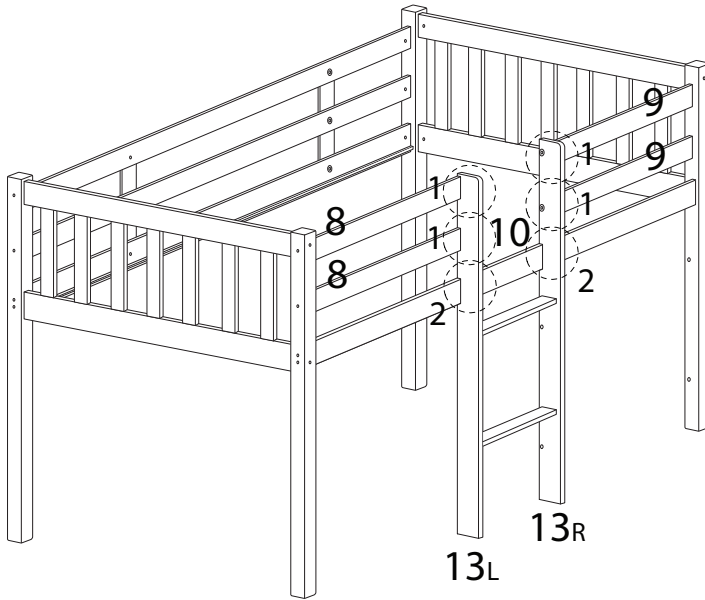
5

**B**  
M6  
x  
50  
x 4

**C**  
M6  
x  
40  
x 4

**G**  
x 4

**J**  
x 1

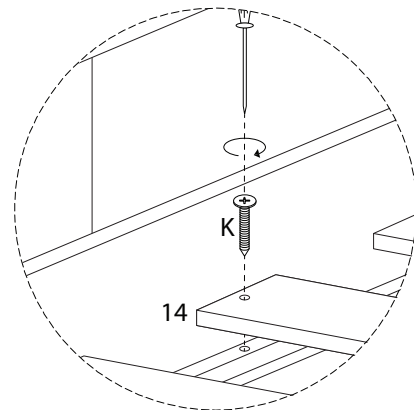
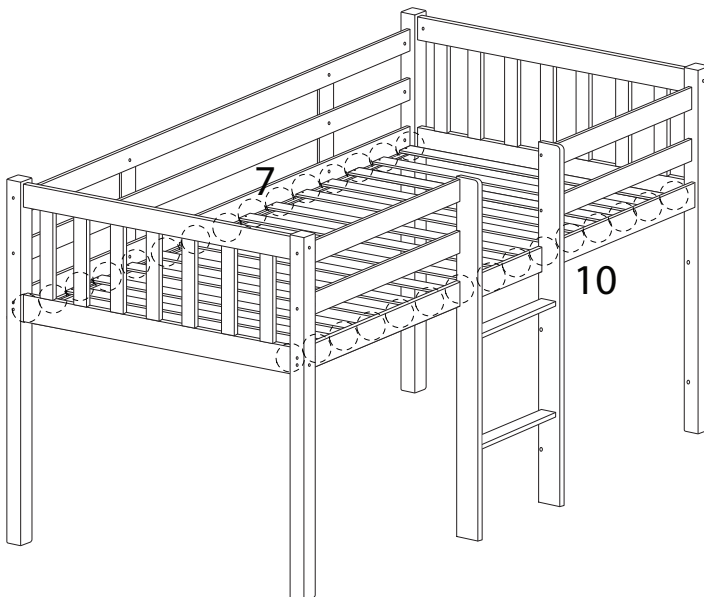


6

14  
x 1



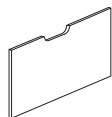
**K**  
M8  
x  
25  
x 30





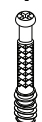
7 x 2

15

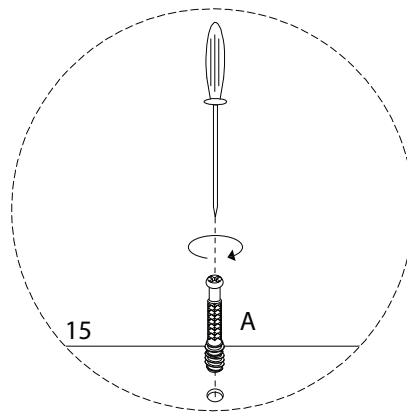
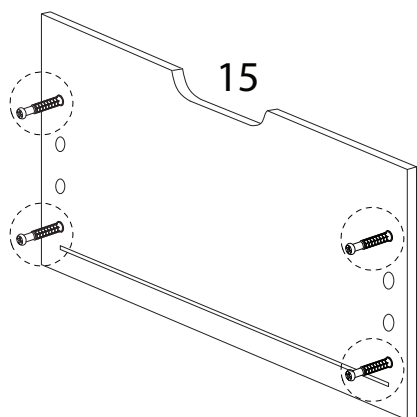


x 1

I



x 4



8 x 2

16L

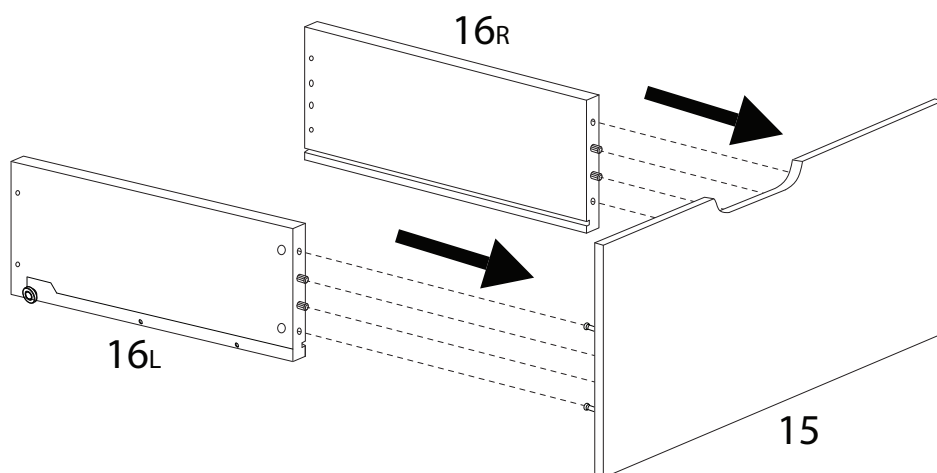


x 1

16R



x 1

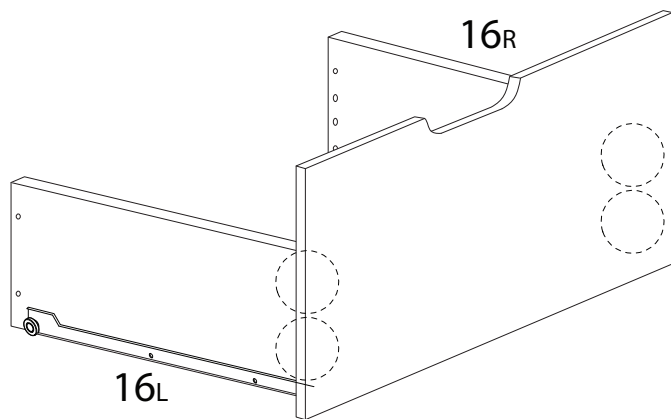


9 x 2

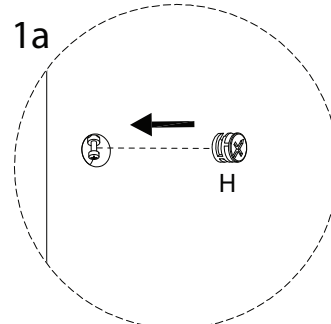
H



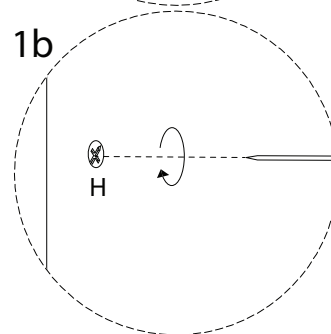
x 4



1a

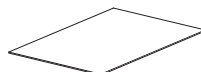


1b

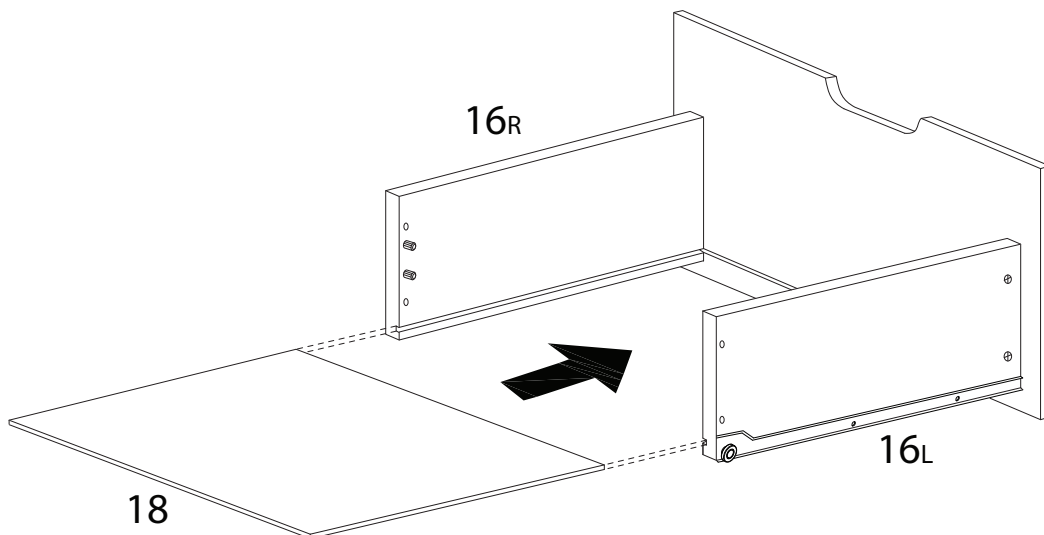


10 x 2

18

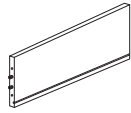


x 1



11 x 2

17

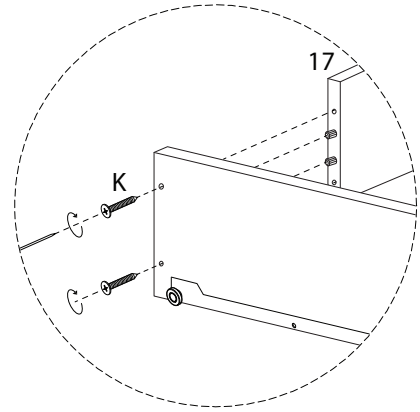
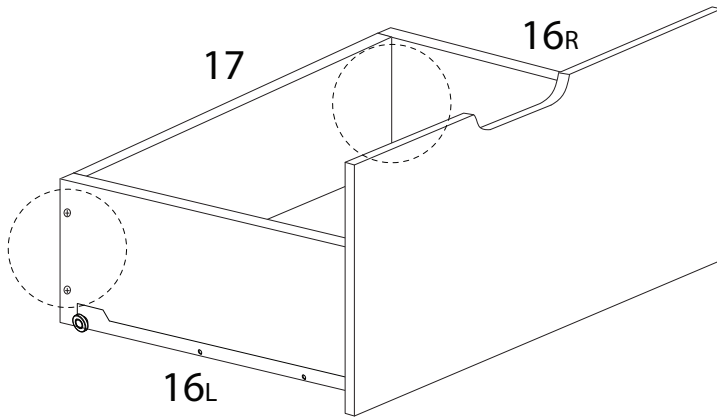


x 1

K



x 4



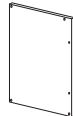
12

23



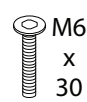
x 2

24L



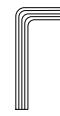
x 1

D

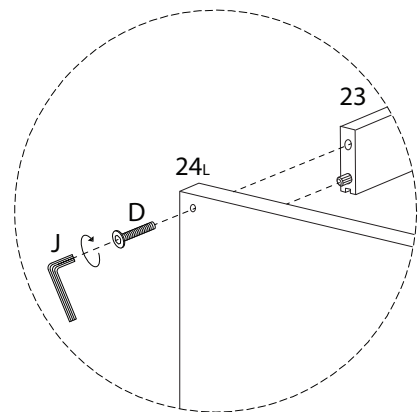
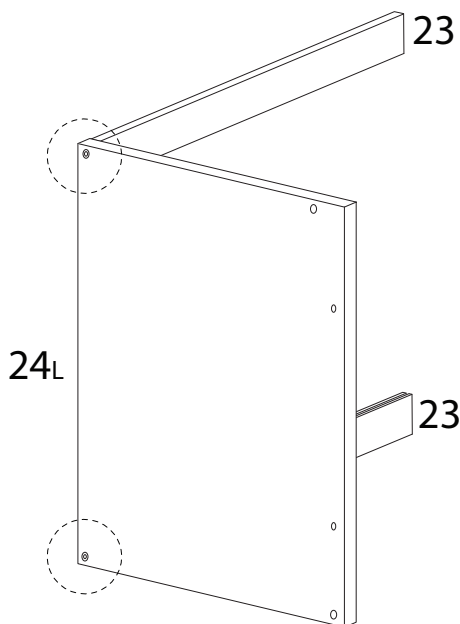


x 2

J

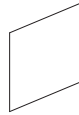


x 1

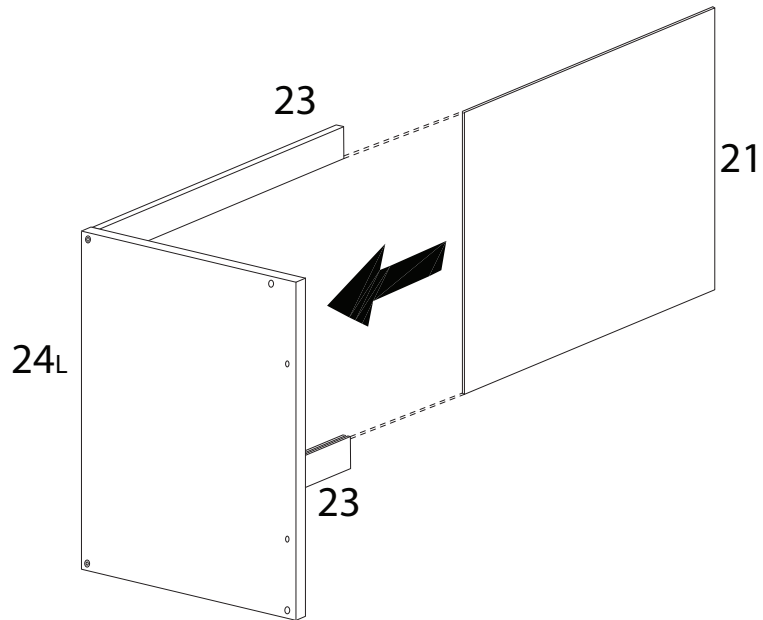


13

21



x 1

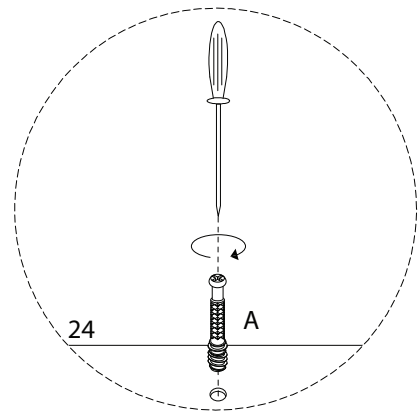
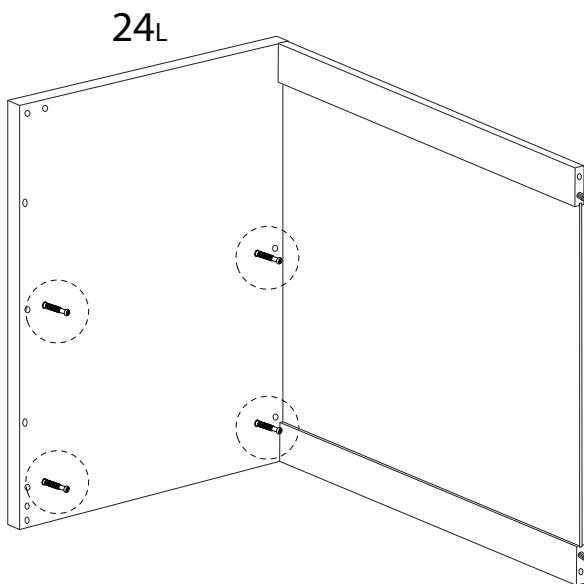


14

I



x 4



15

20

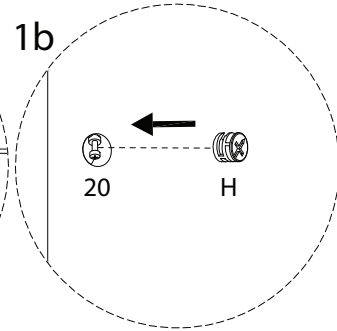
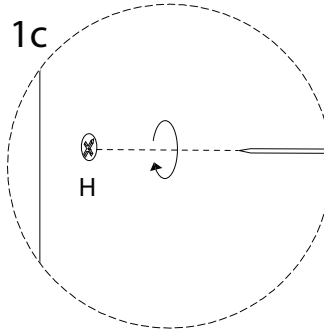
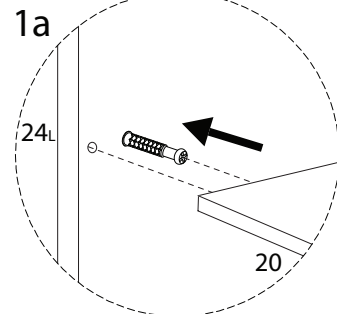
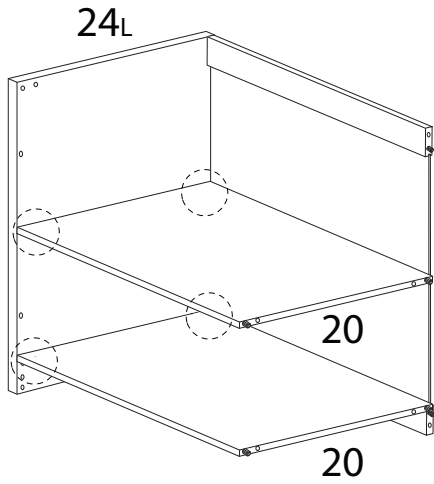


x 2

H



x 4



16

22



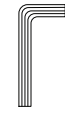
x 2

D

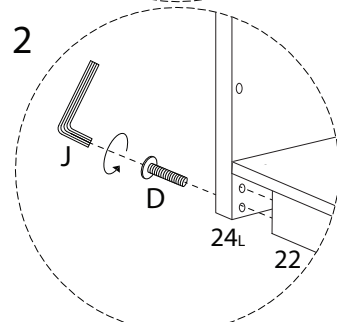
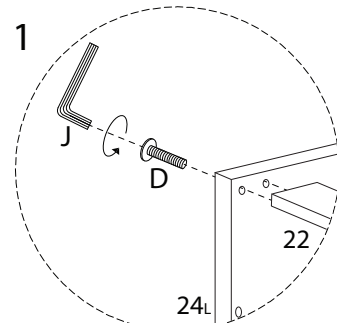
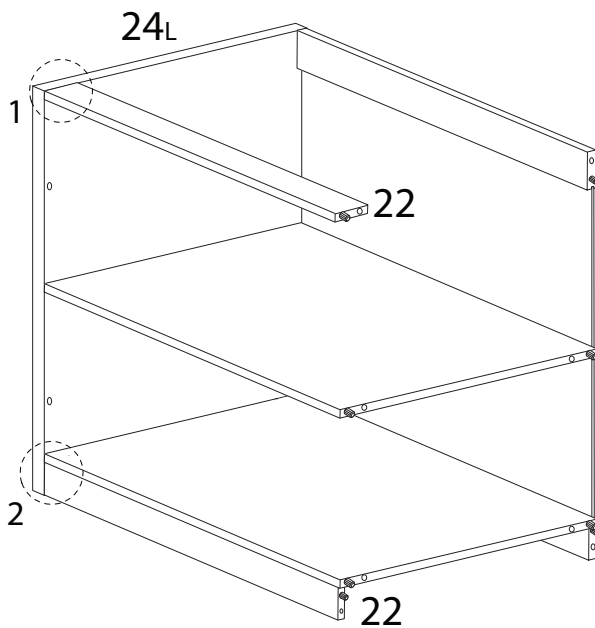


x 2

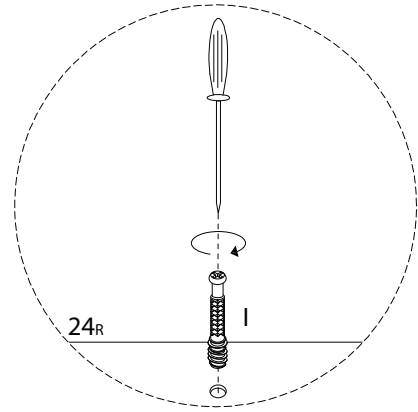
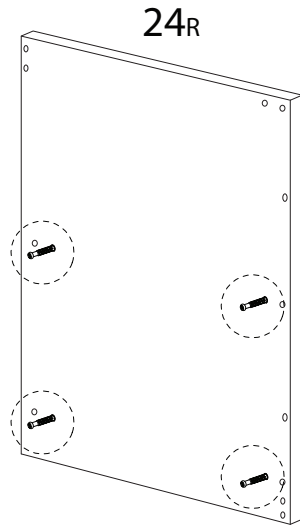
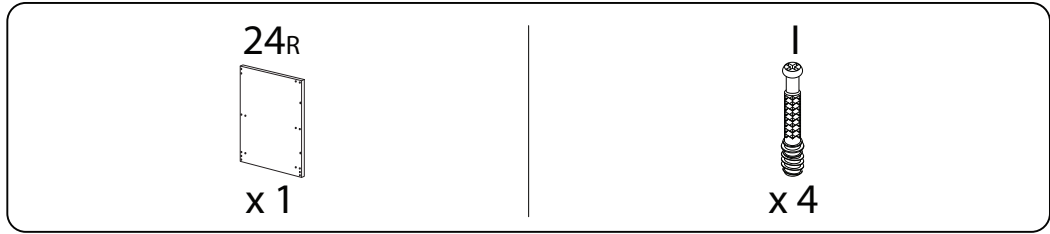
J



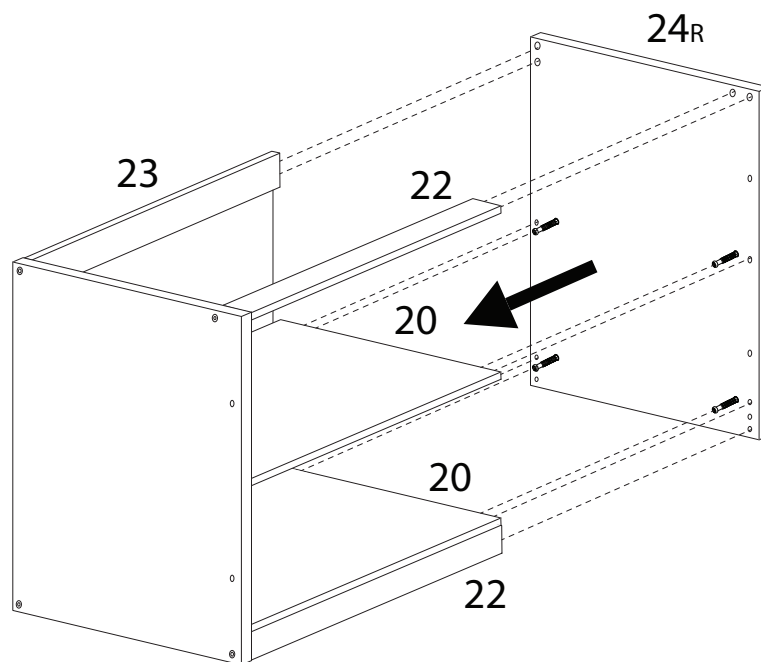
x 1



17

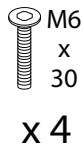


18

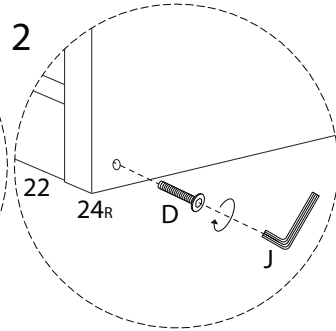
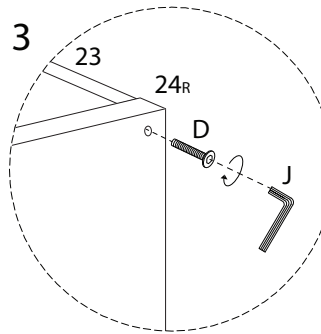
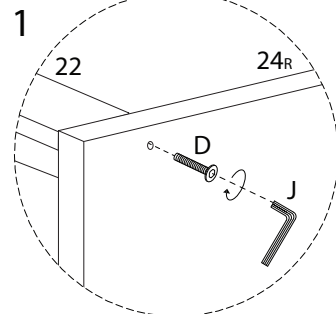
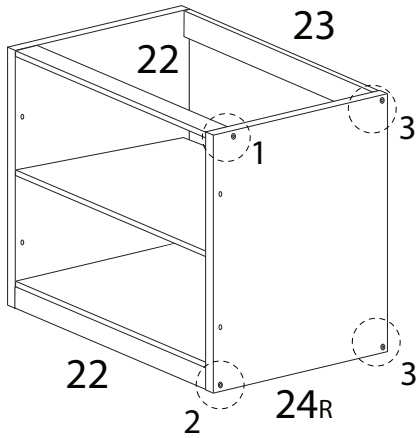


19

D

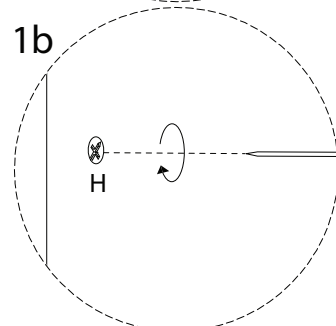
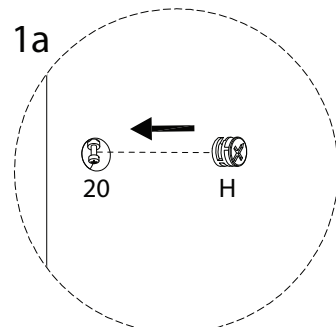
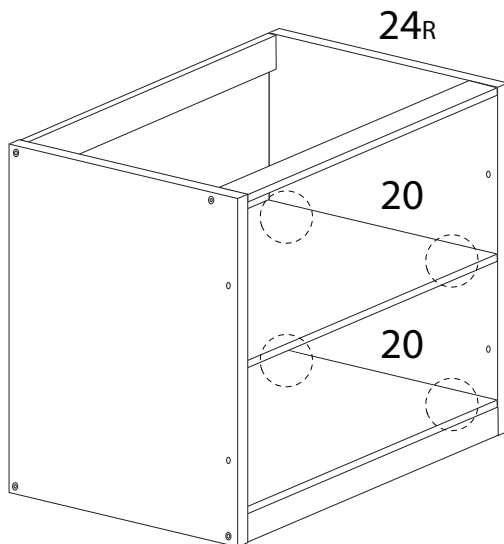


J

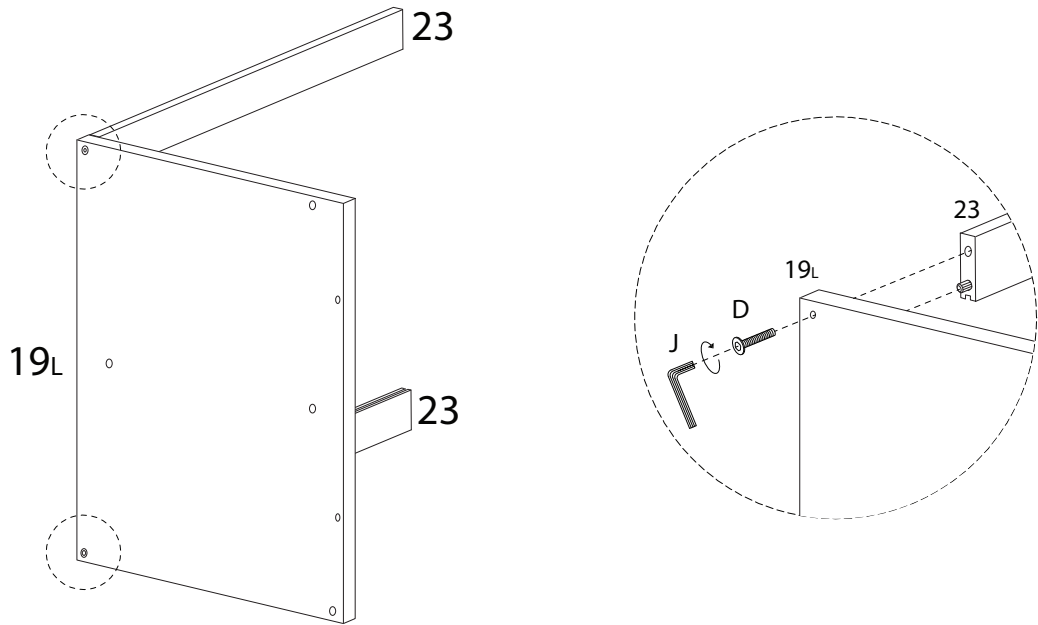
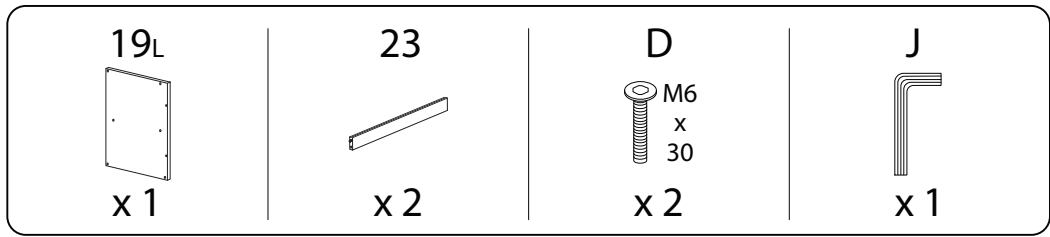


20

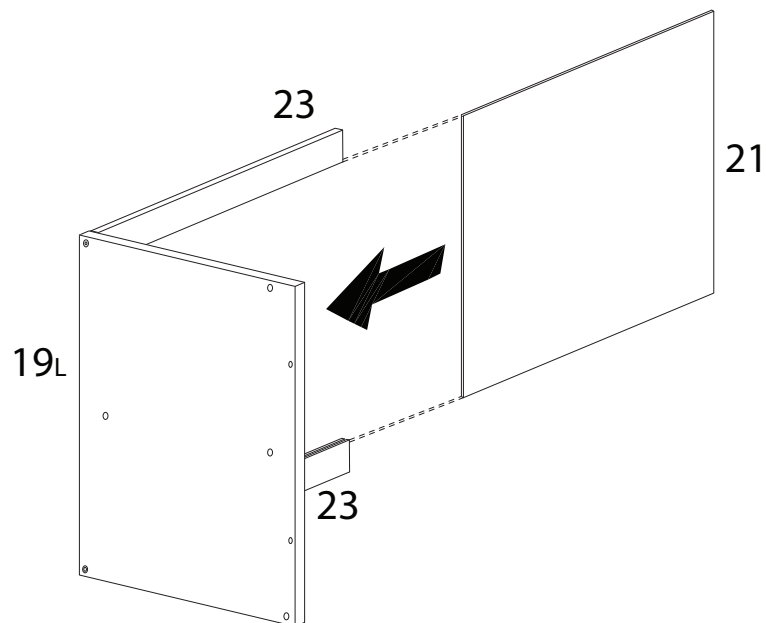
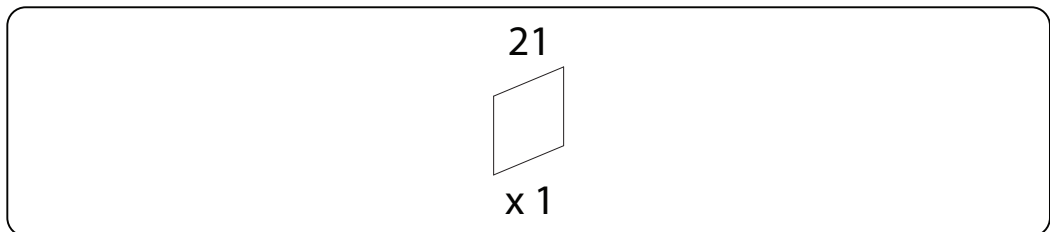
H



21

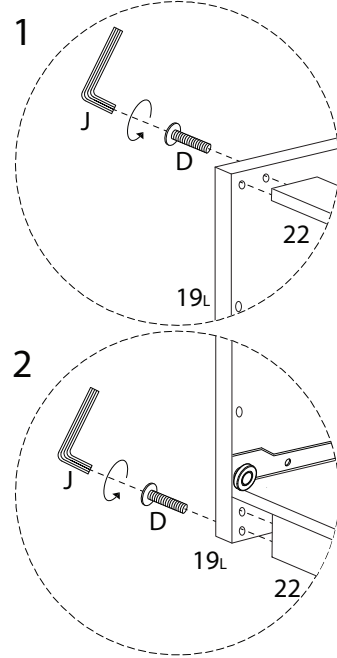
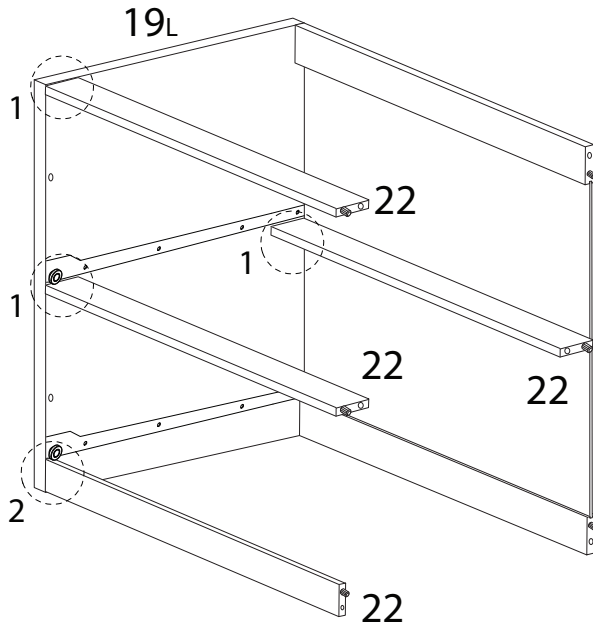
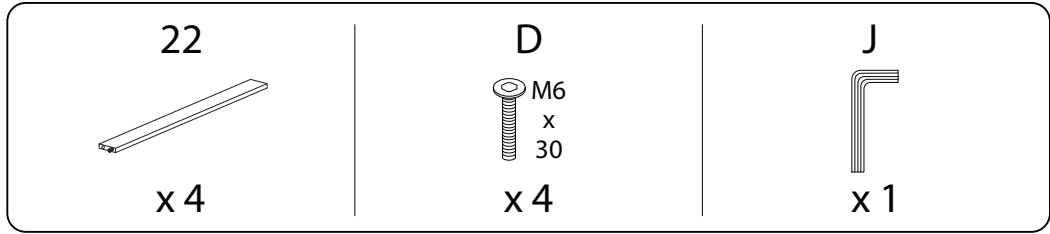


22

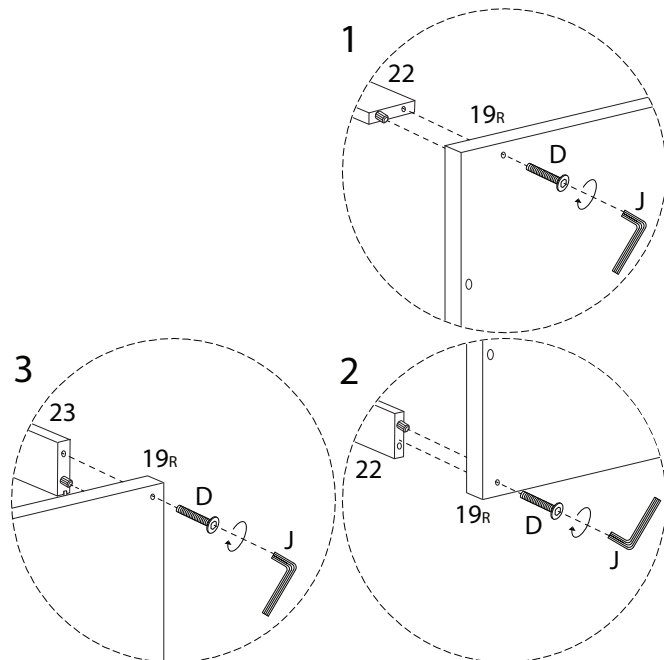
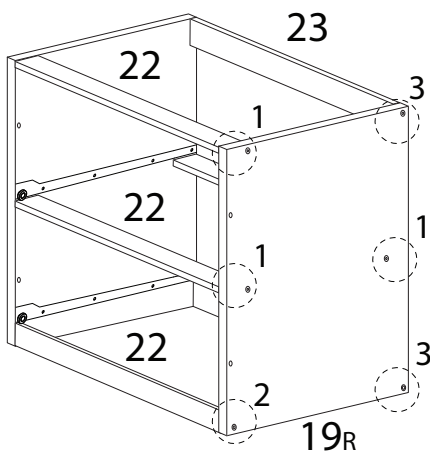
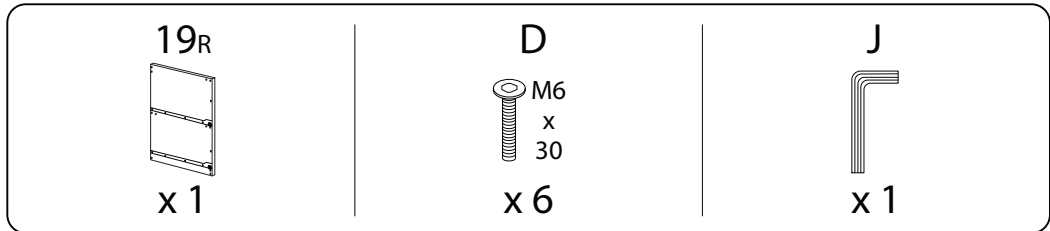




# 23



# 24

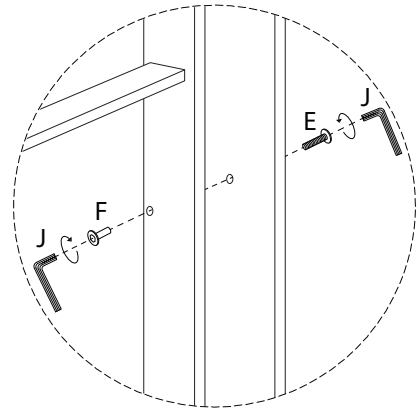
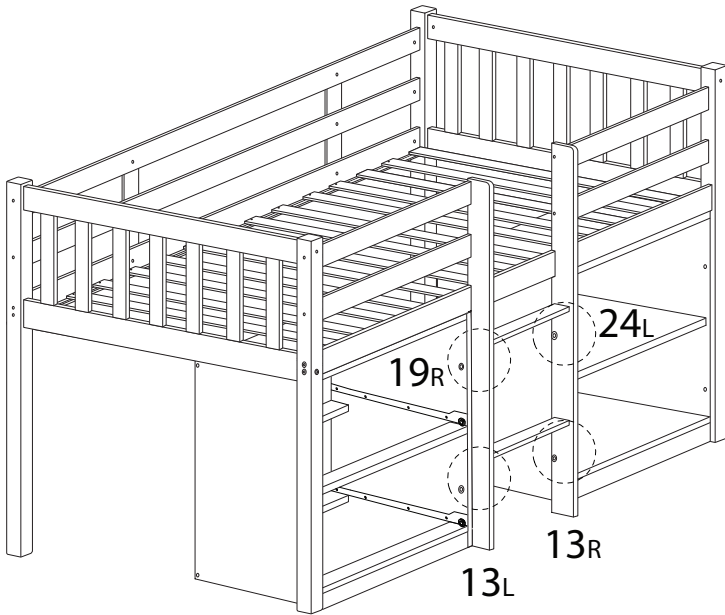


25

E  
M6  
x  
25  
x 4

F  
x 4

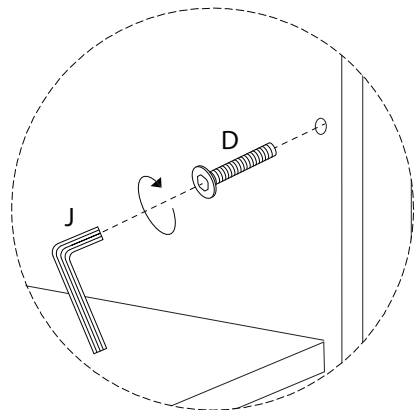
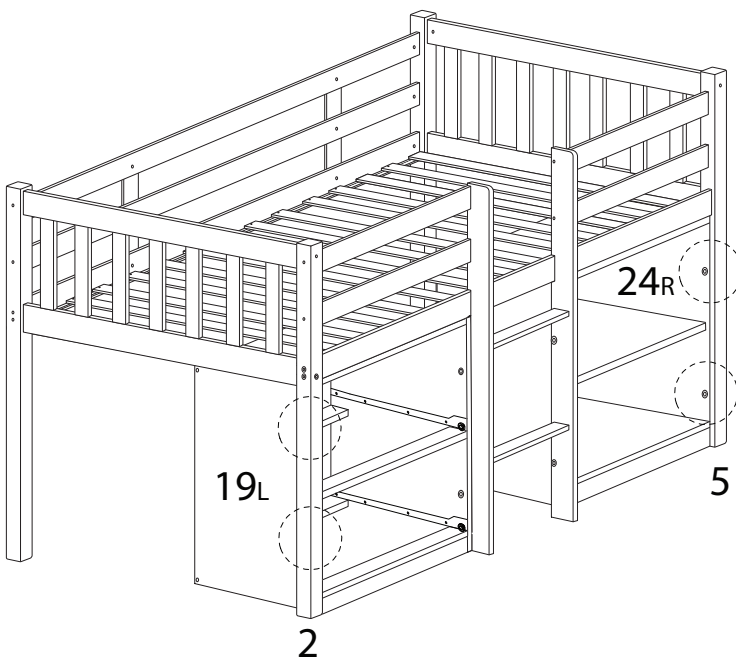
J  
x 2



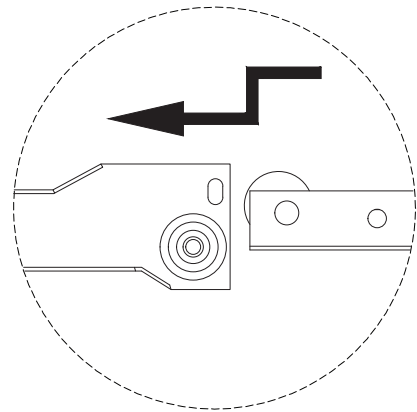
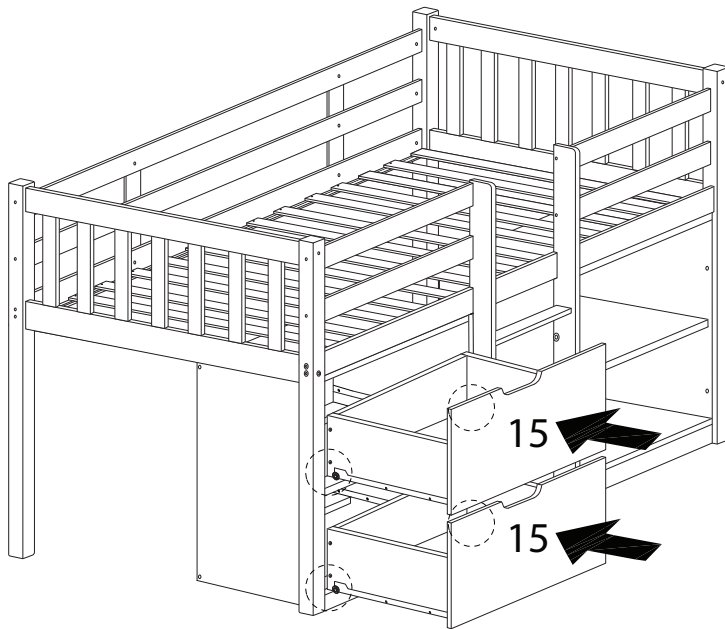
26

D  
M6  
x  
30  
x 4

J  
x 1



27

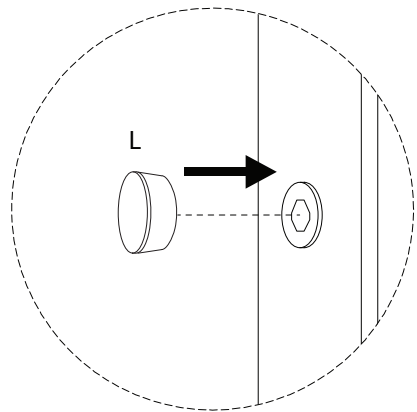
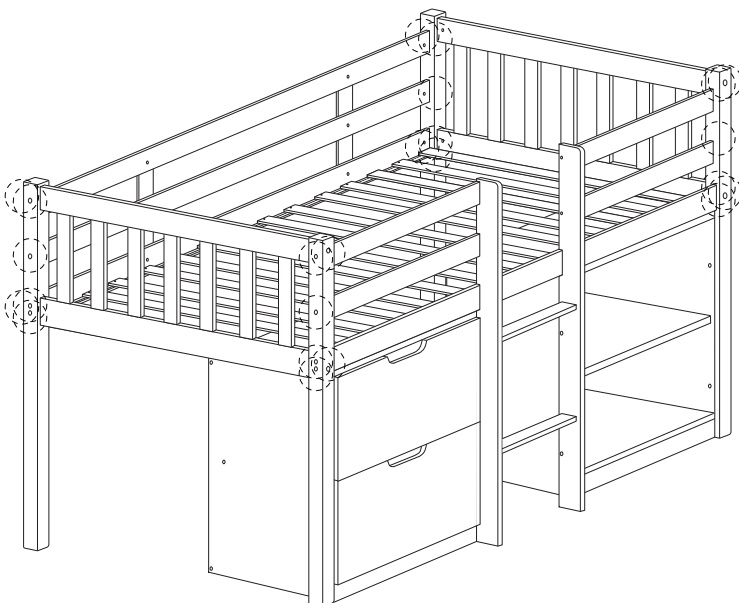


28

L



x 24



!

