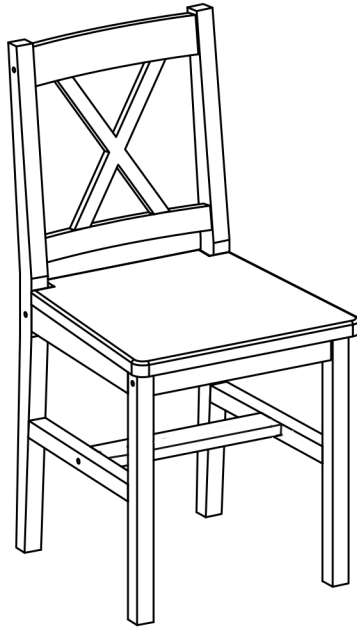


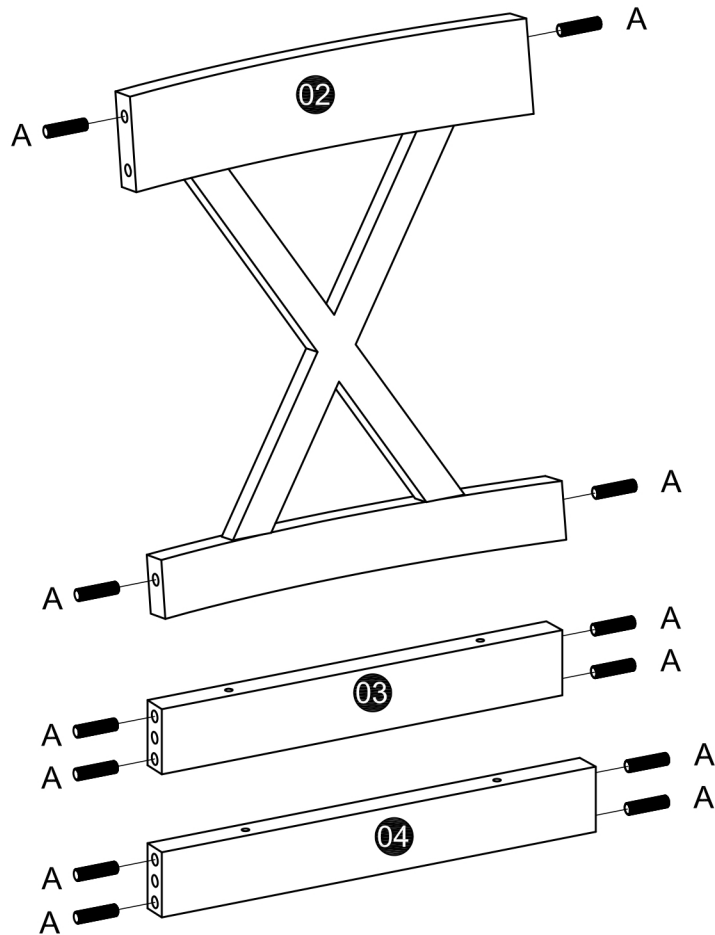
ASSEMBLY INSTRUCTION



Part list:

ITEM	PHOTO	PCS	ITEM	PHOTO	PCS
1		2 PCS	7		2 PCS
2		2 PCS	A		24 PCS
3		2 PCS	B		16PCS
4		2 PCS	C		8PCS
5		2 PCS	D		1PC
6		2 PCS			

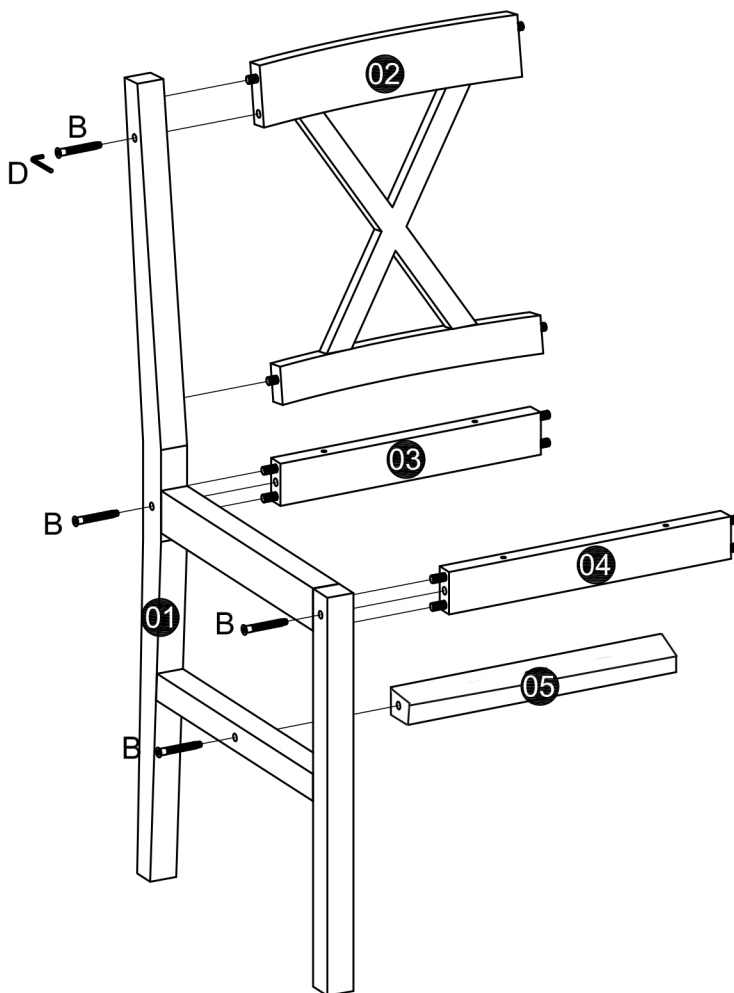
01



A x12



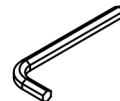
02



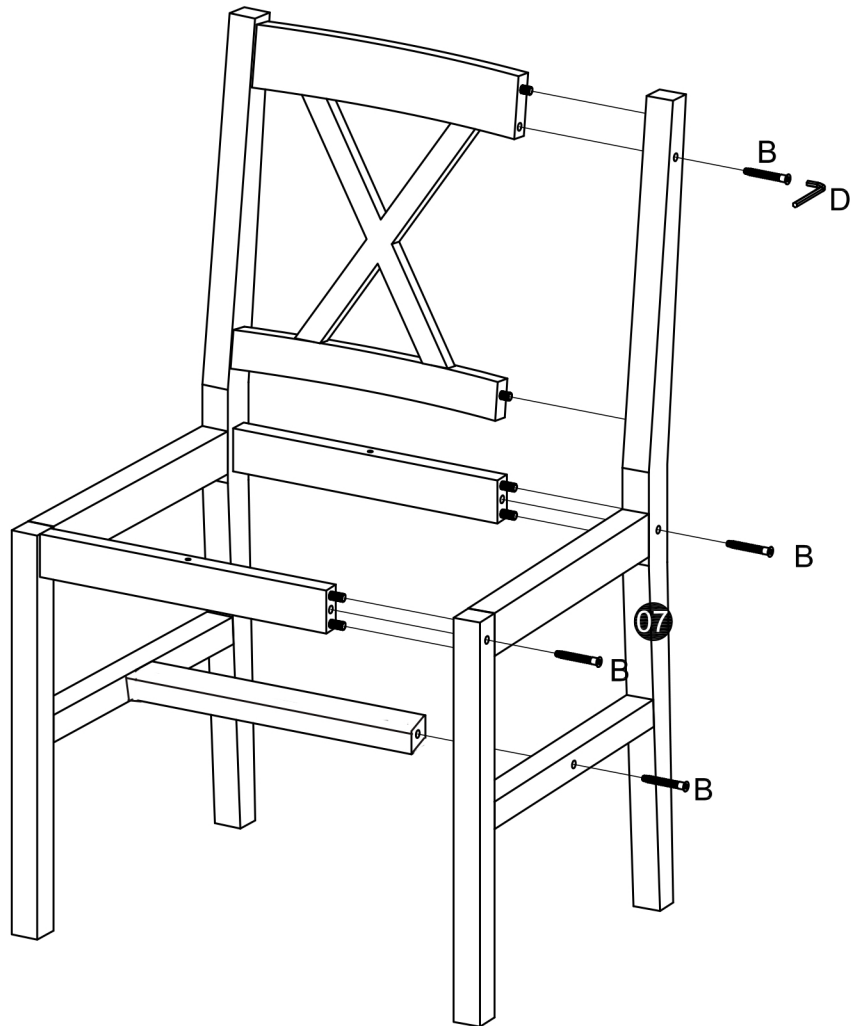
B x4



D x1



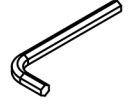
03



B x4

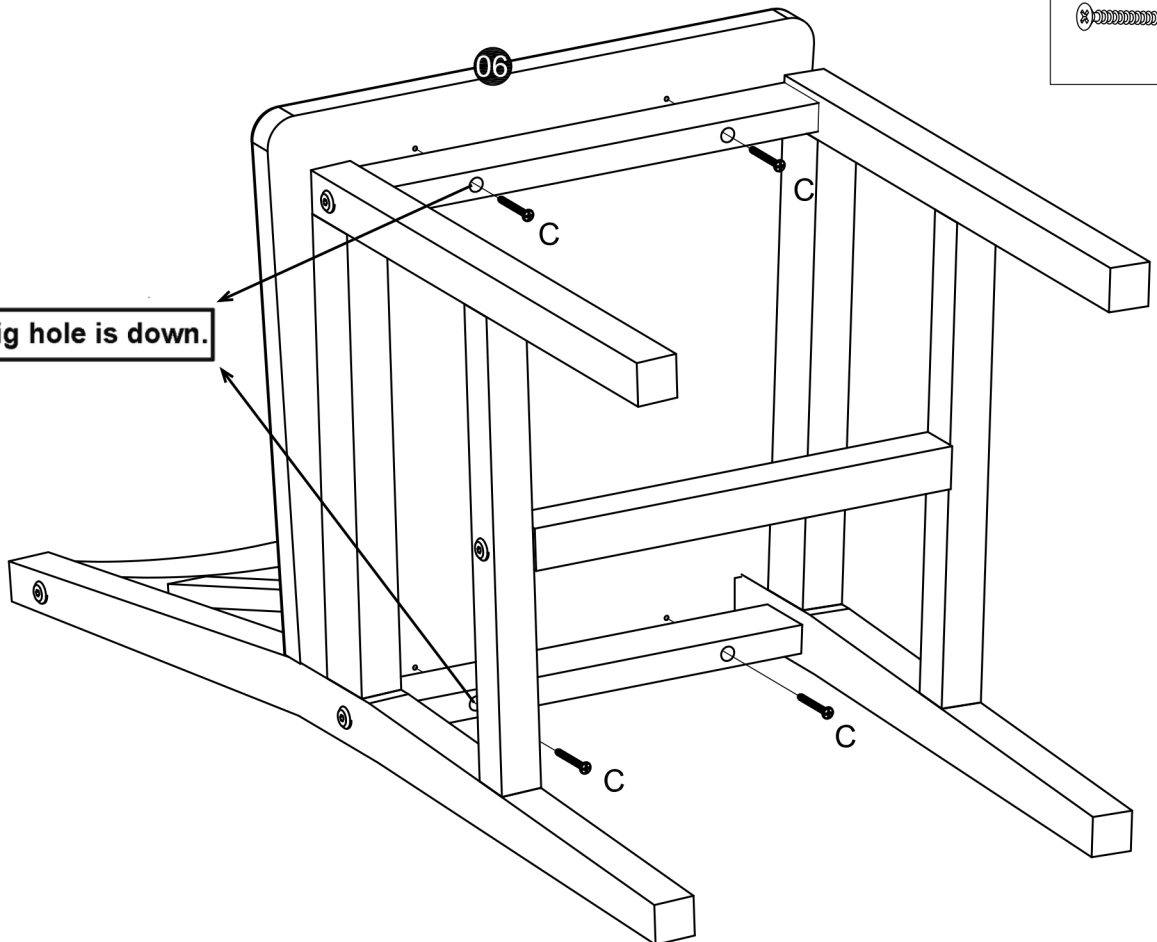


D x1



04

Pls note: The big hole is down.



C x4

