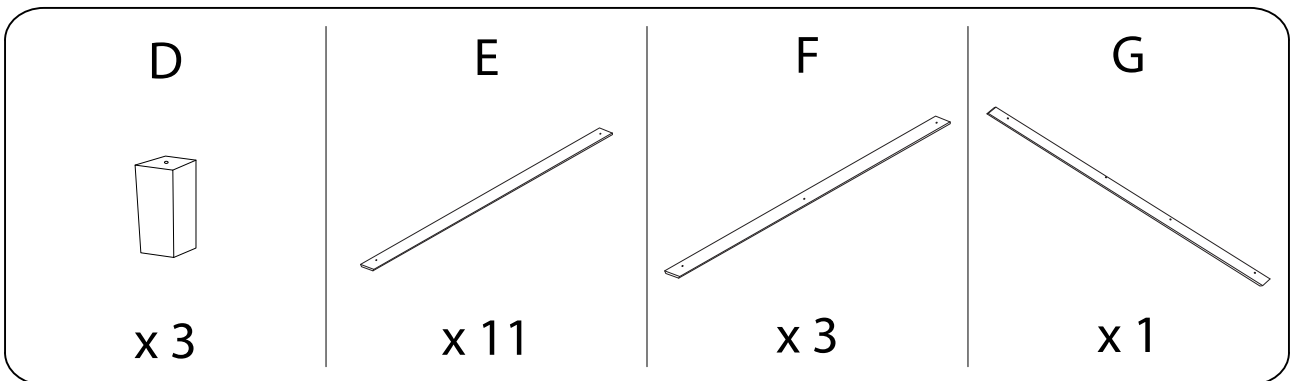
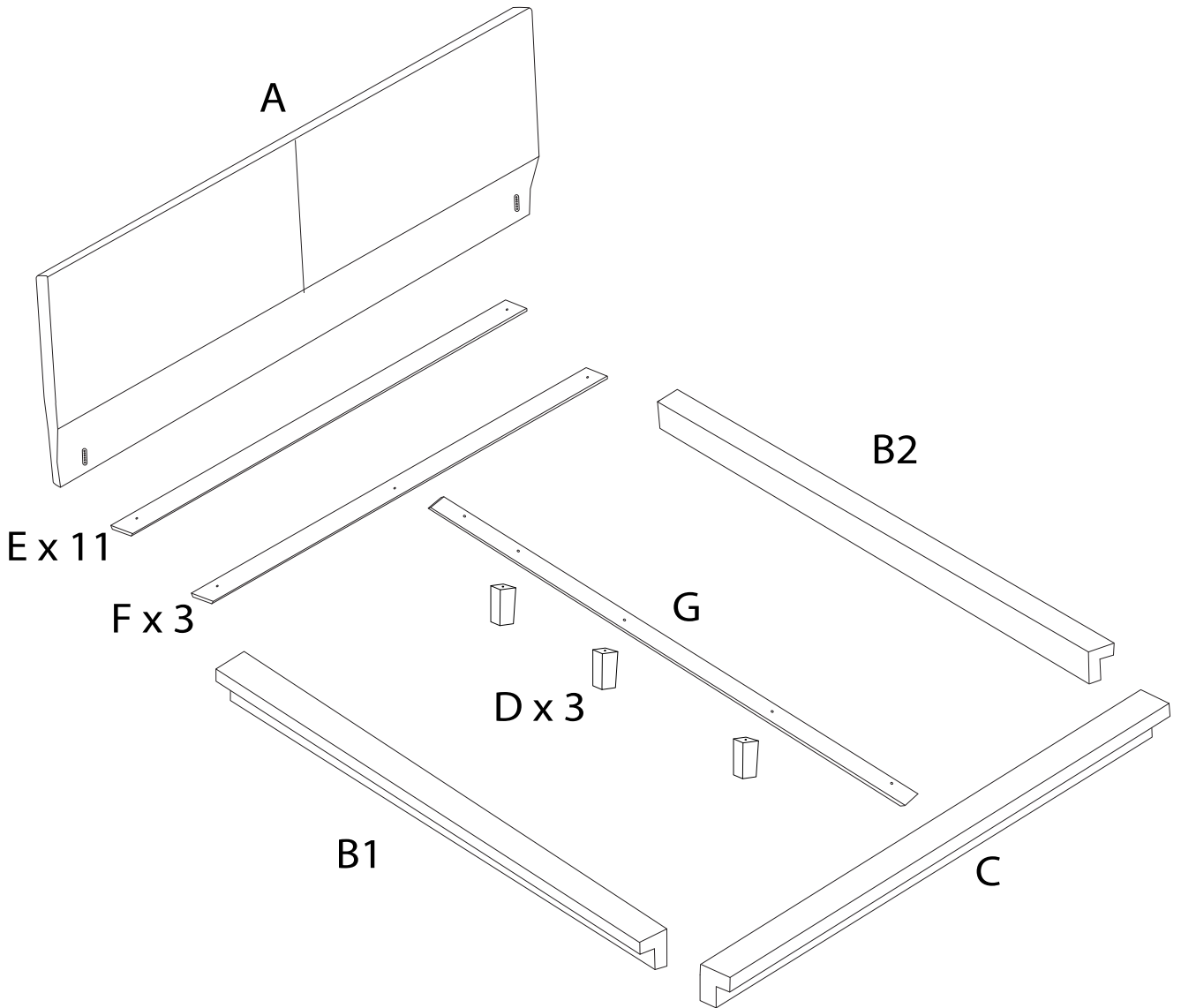
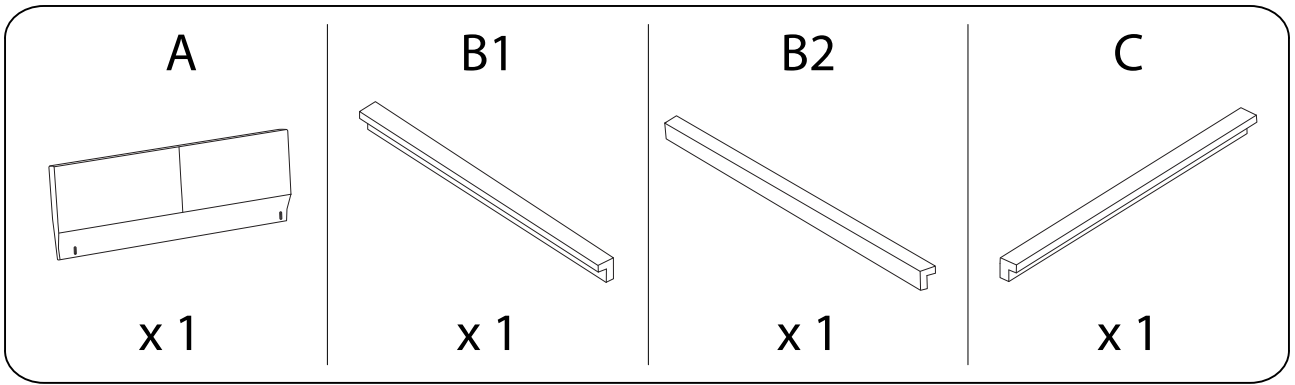


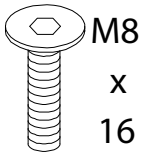
Assembly instructions for step 1/8:

- Tools: A screwdriver and an Allen key are shown in a circle. A power drill is shown with a diagonal line through it, indicating it should not be used.
- Warning: A triangle with an exclamation mark indicates a warning.
- Time: A clock icon indicates a time of 75 minutes.
- Personnel: A person icon indicates that 2 people are required.

# A

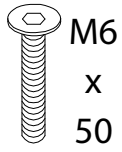


1



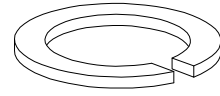
x 8

2



x 3

3



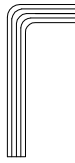
x 5

4



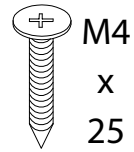
x 1

5



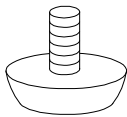
x 1

6



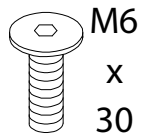
x 28

7



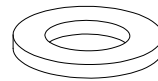
x 3

8



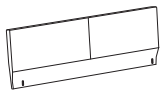
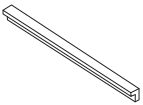
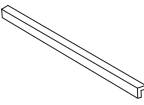
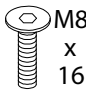

x 2

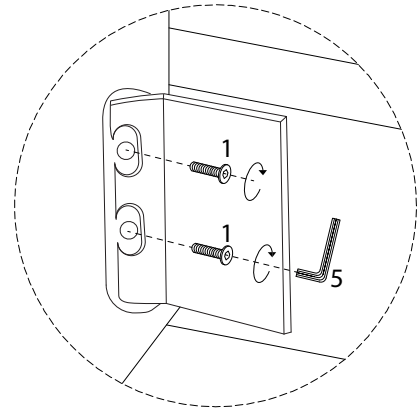
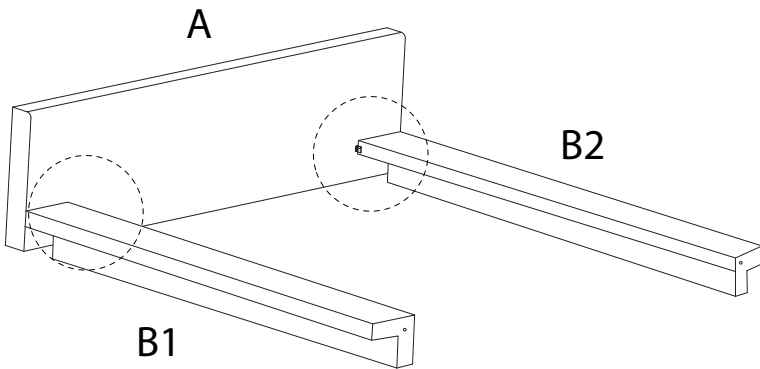
9



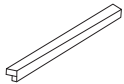


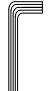

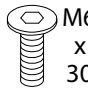

x 2

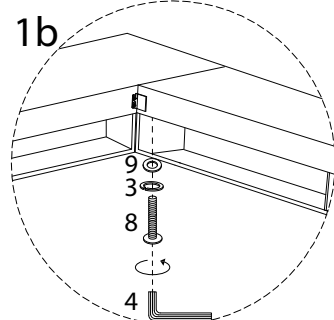
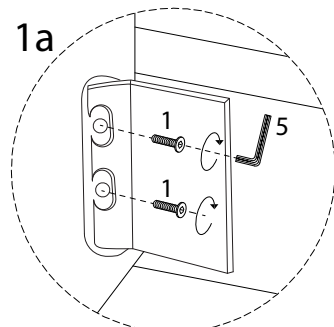
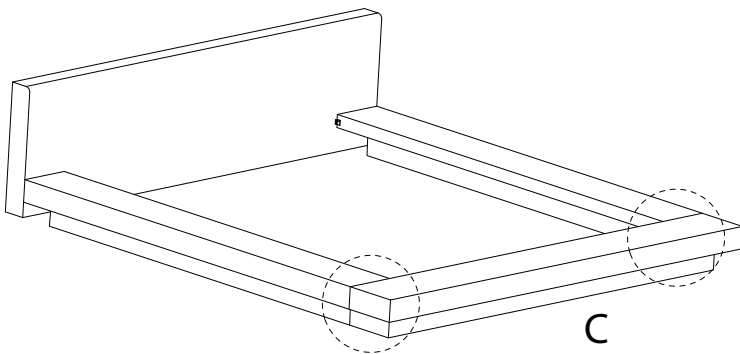
1

<b>A</b>  x 1	<b>B1</b>  x 1	<b>B2</b>  x 1	<b>1</b>  x 4	<b>5</b>  x 1
--	---	---	--	--

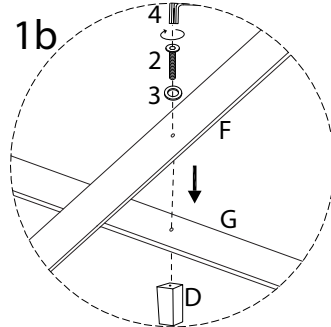
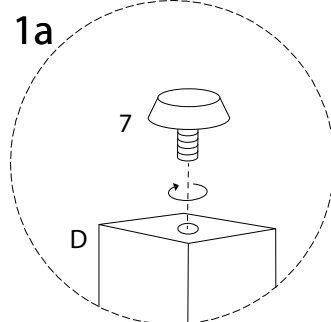
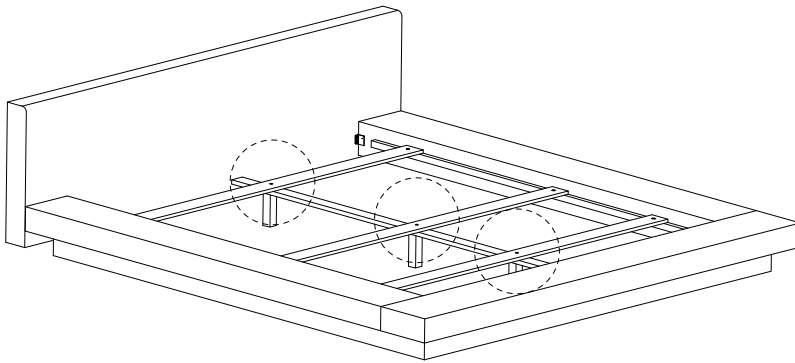
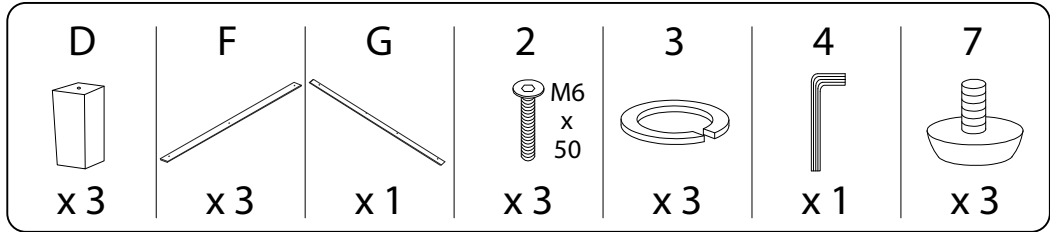


2

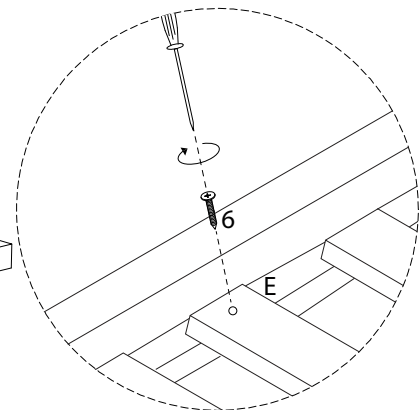
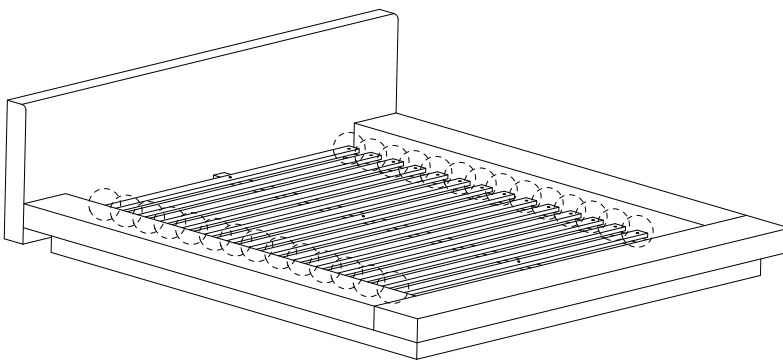
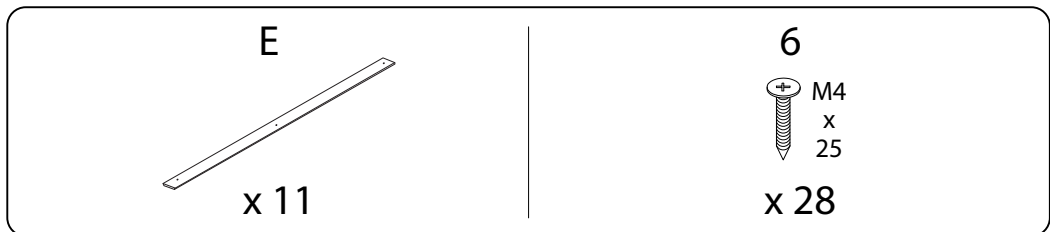
<b>C</b>  x 1	<b>1</b>  x 4	<b>3</b>  x 2	<b>4</b>  x 1	<b>5</b>  x 1	<b>8</b>  x 2	<b>9</b>  x 2
--	--	--	--	--	--	--



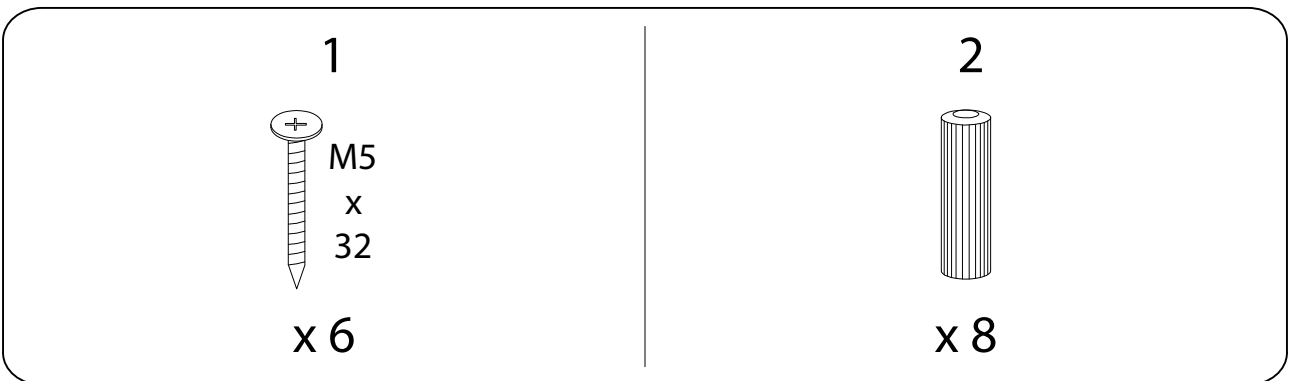
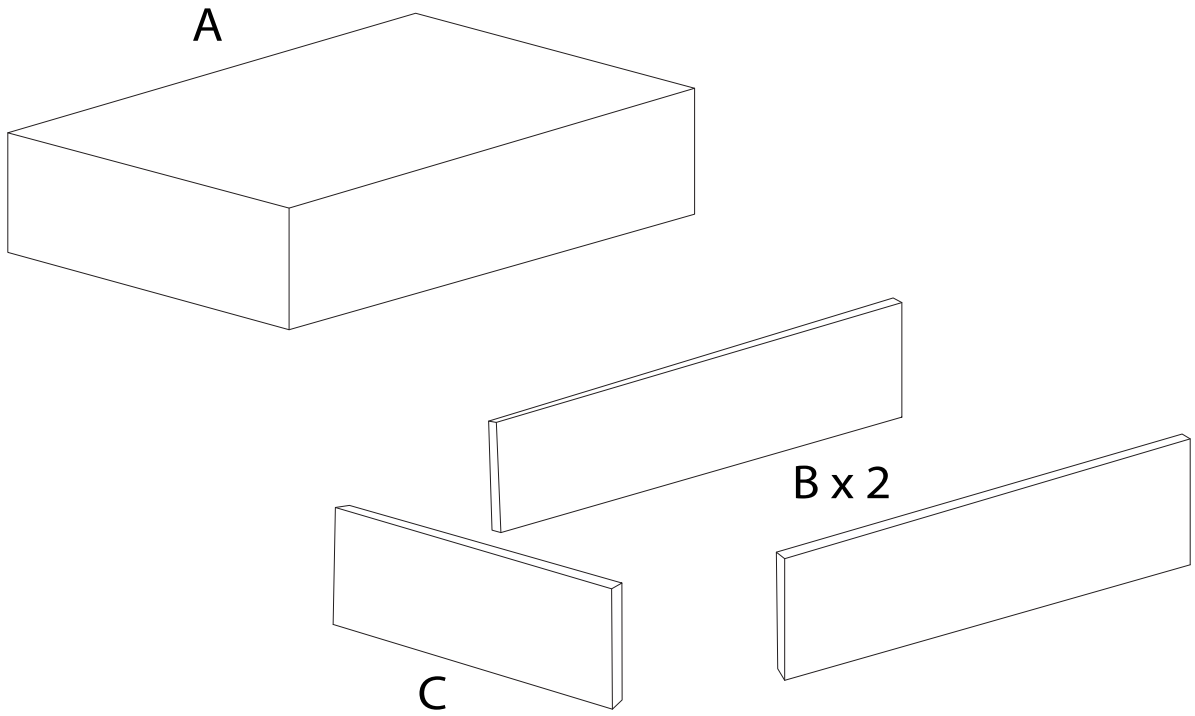
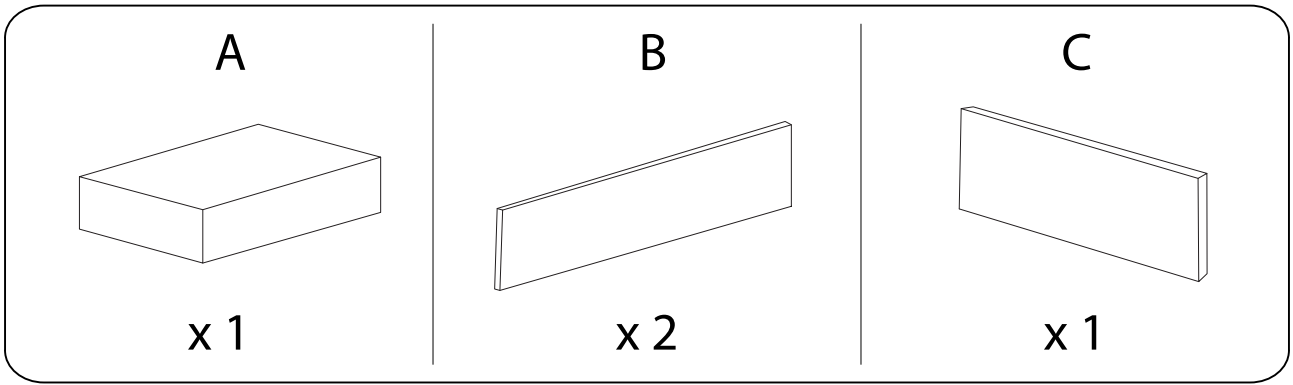
3



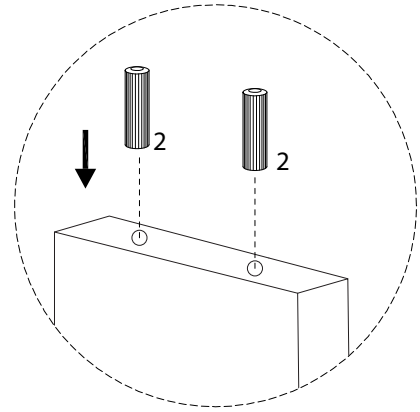
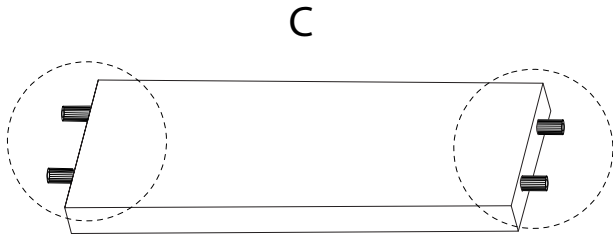
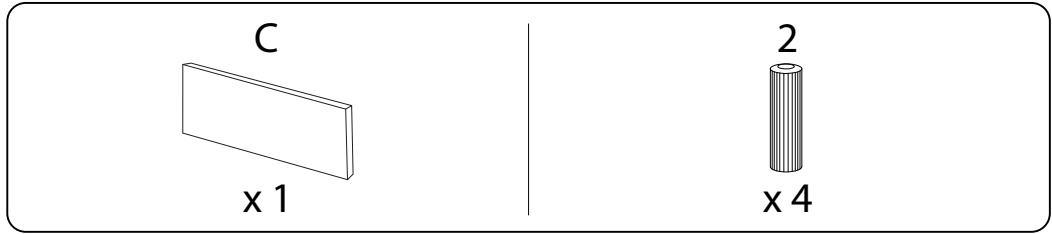
4



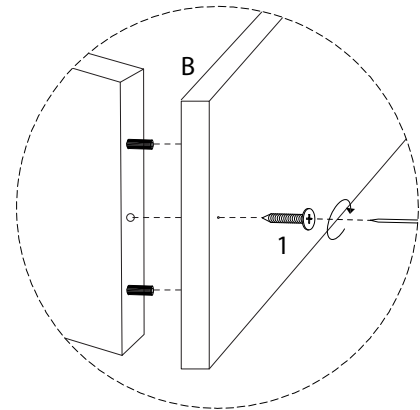
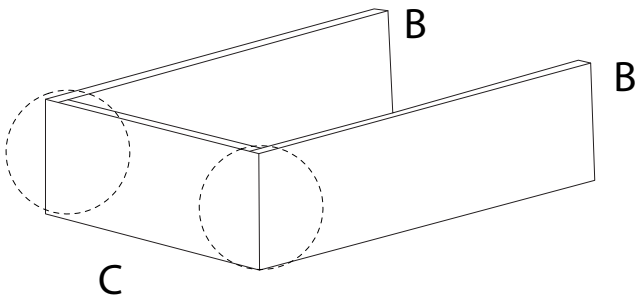
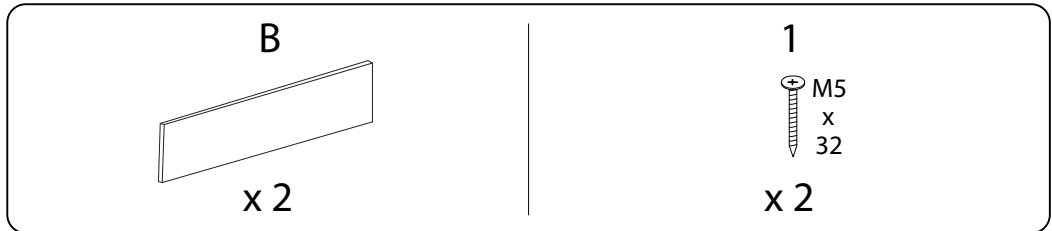
# B x 2



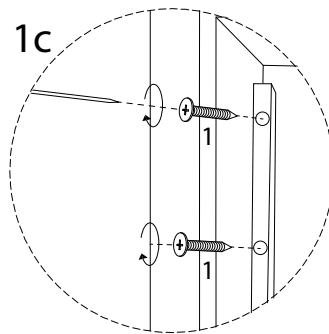
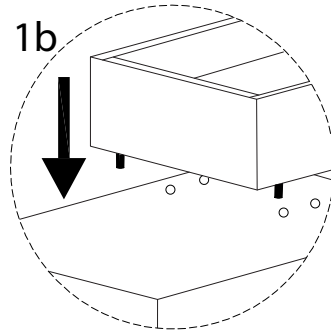
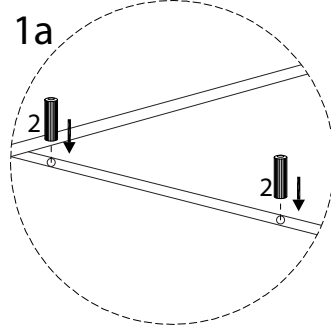
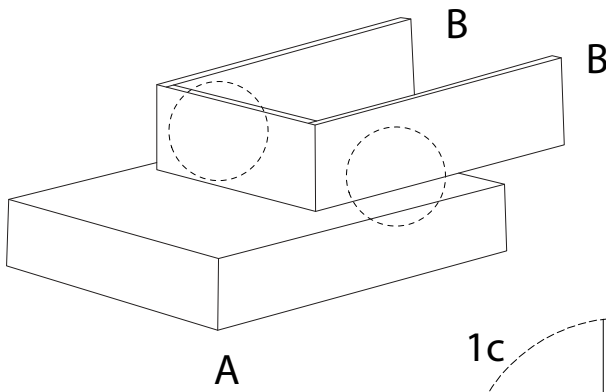
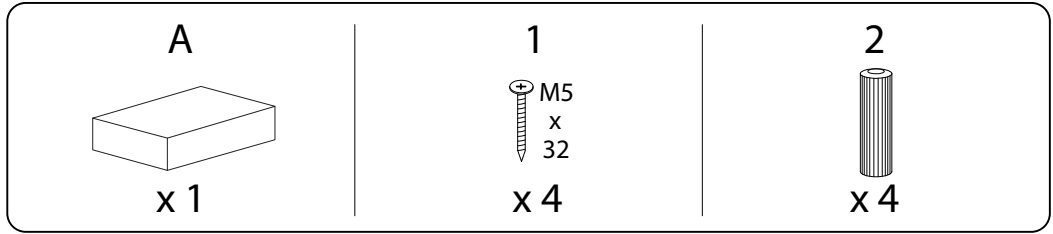
1



2



3



4

