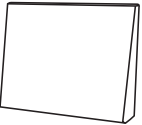
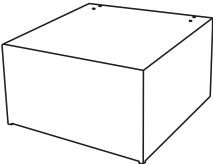

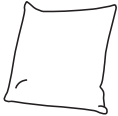



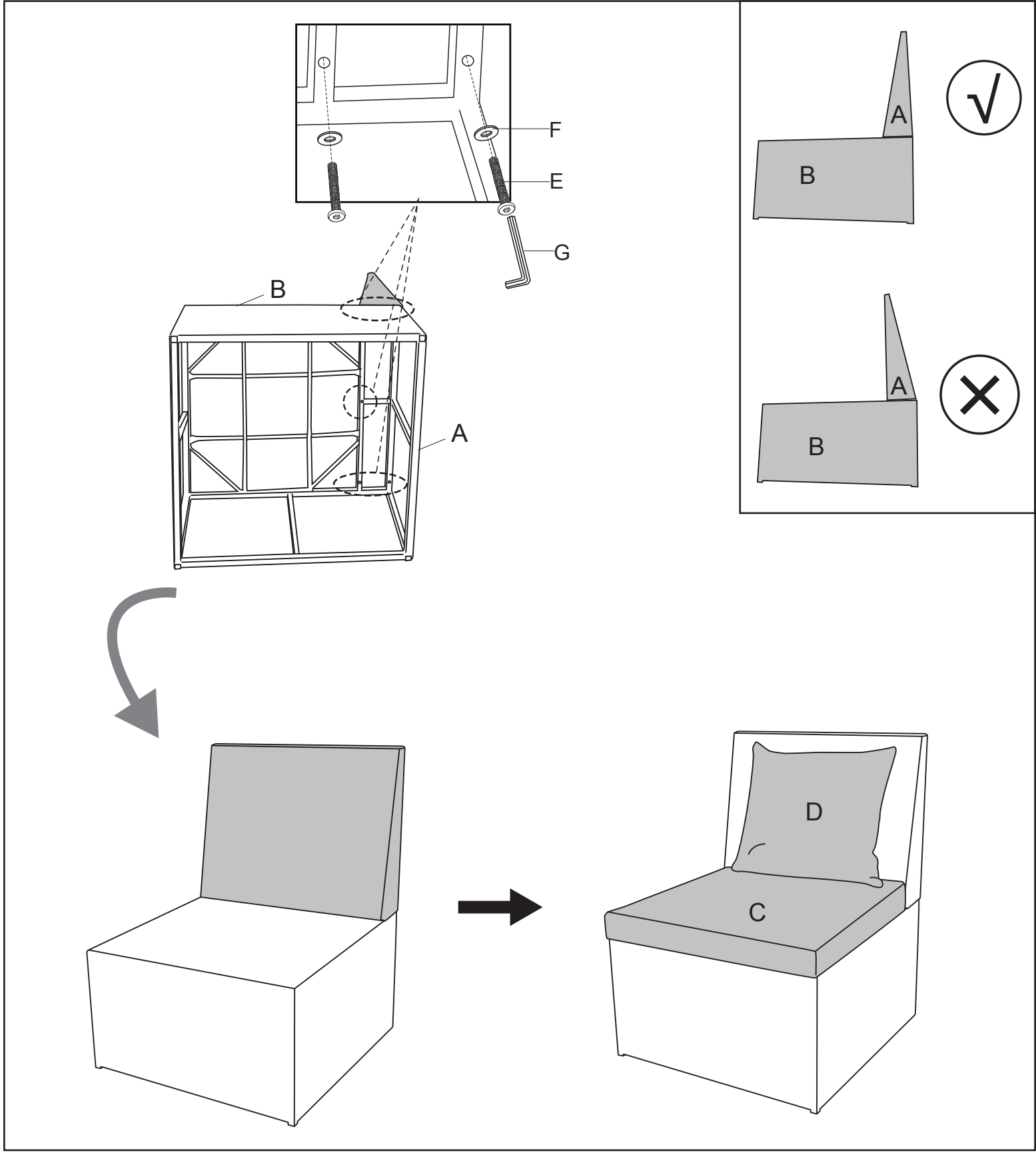
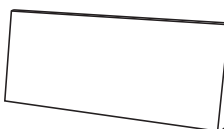
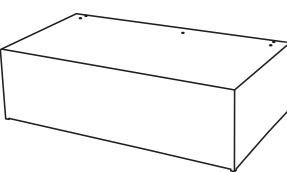
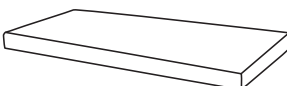
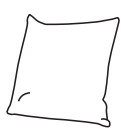



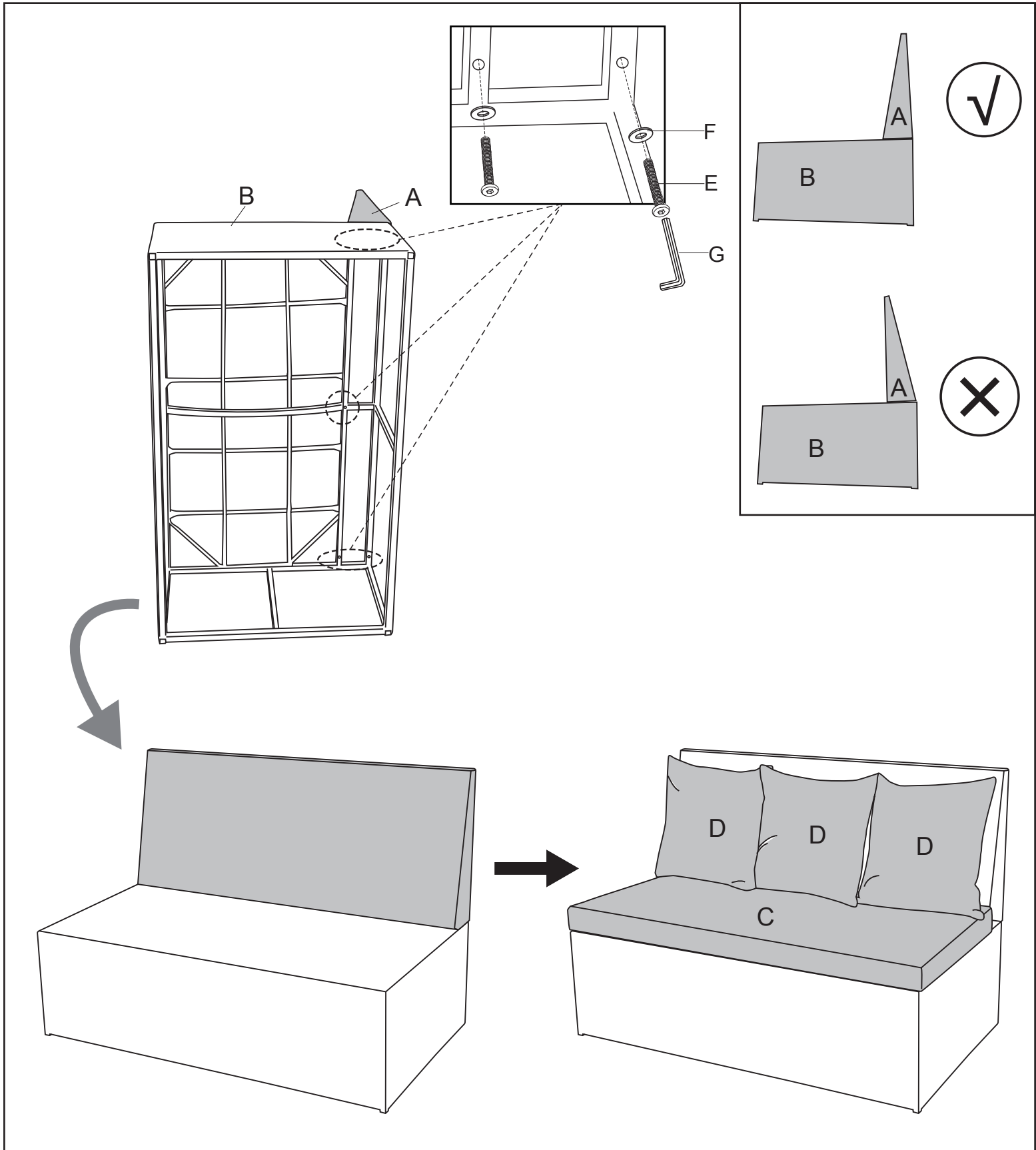
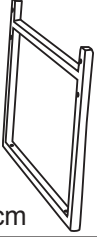
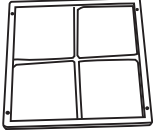

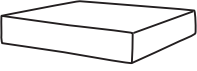






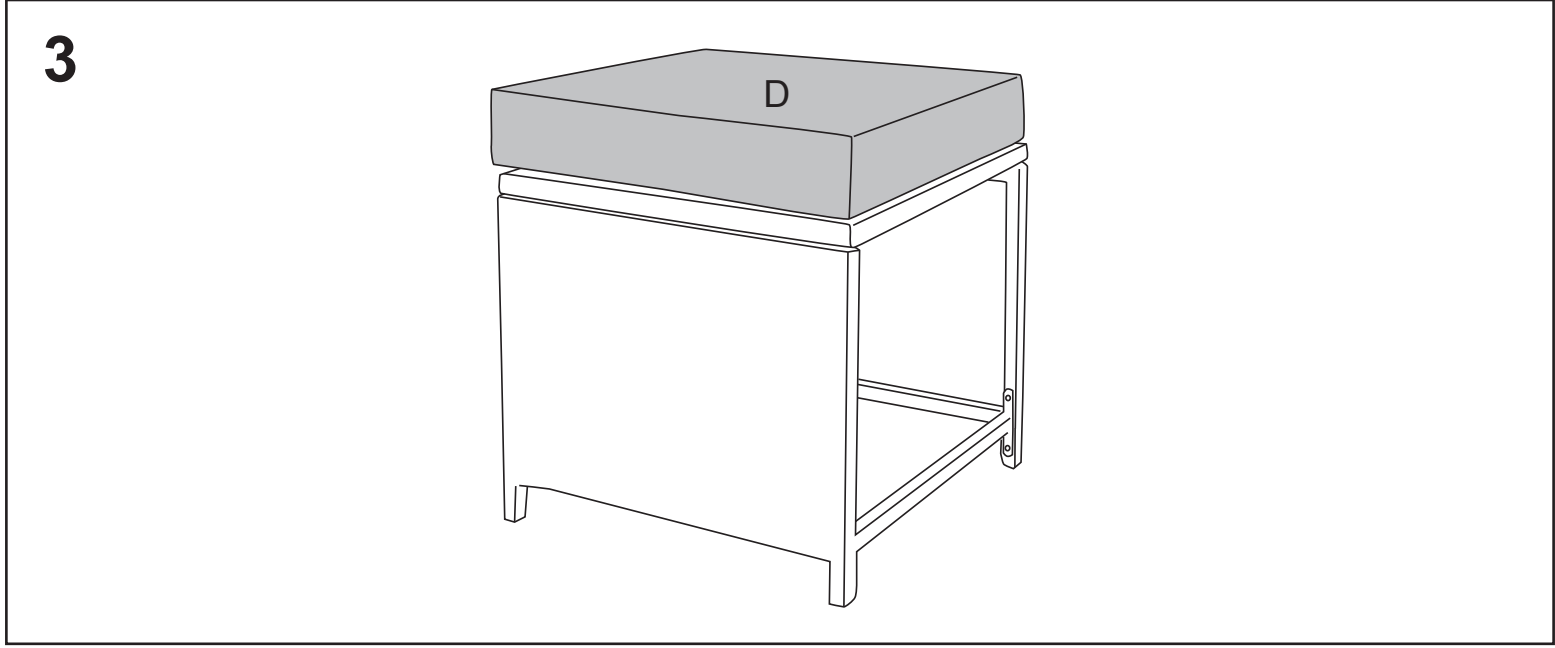
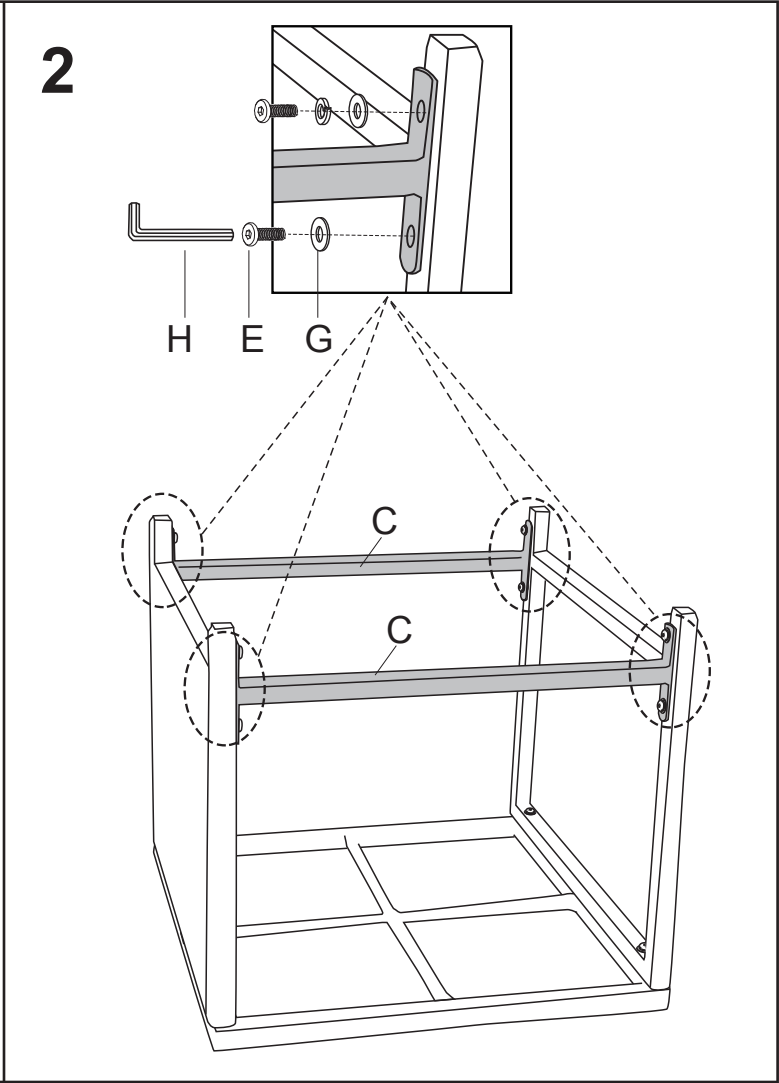
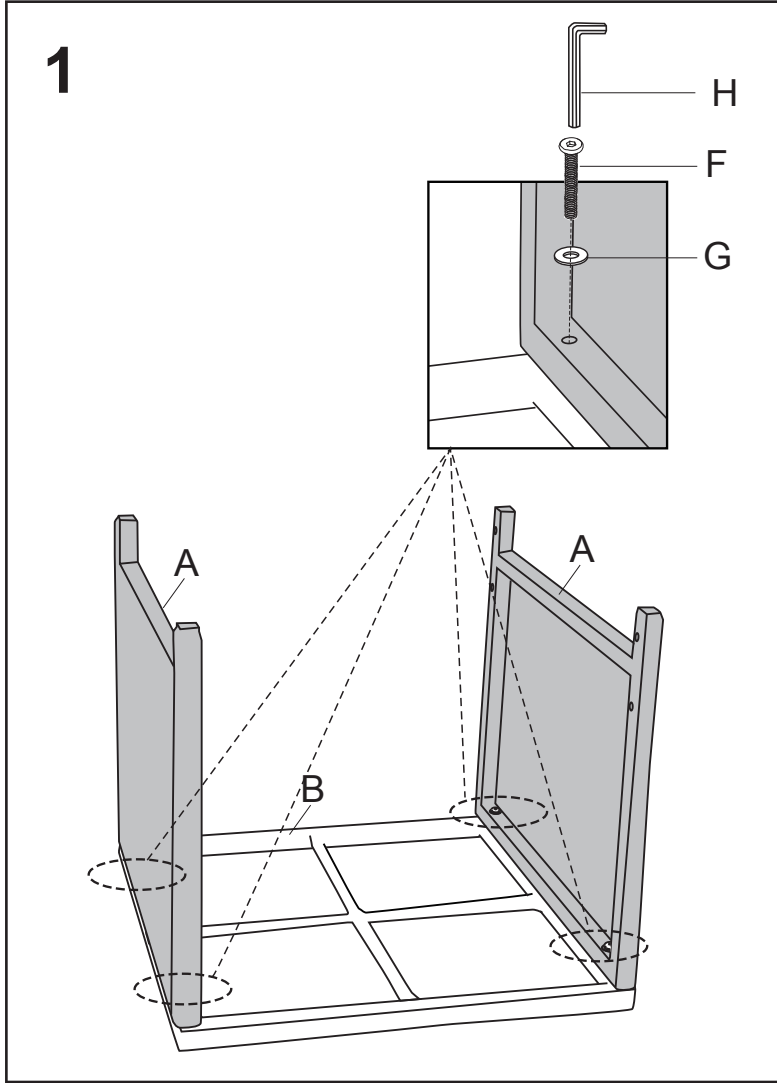
<p>A x1</p>  <p>60x12x50cm</p>	<p>B x1</p>  <p>60X70X35cm</p>	<p>C x1</p>  <p>60X58X7cm</p>	<p>D x1</p> 	<p>E x5</p>  <p>M6*35mm</p> <p>F x5</p>  <p>φ6.5*1.0*φ13mm</p>	<p>G x1</p> 
--	---	--	---	--	---

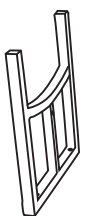
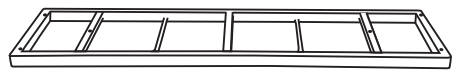



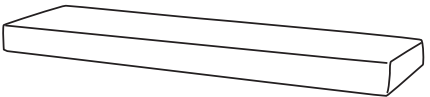




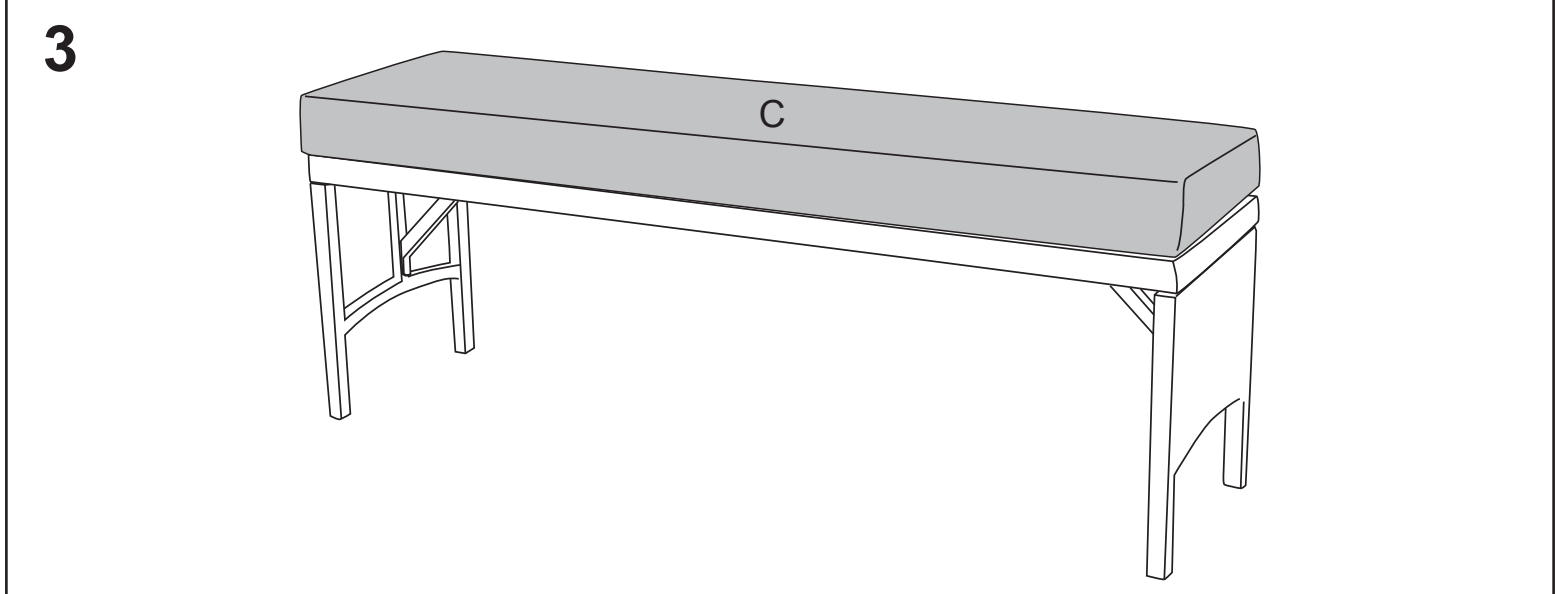
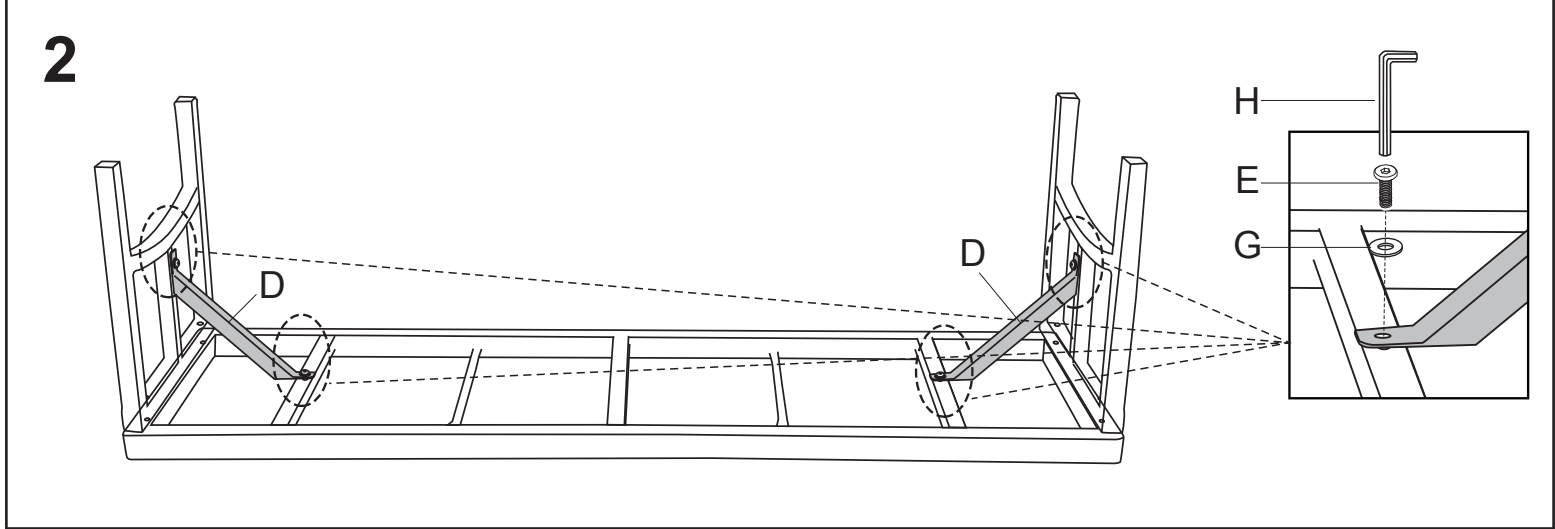
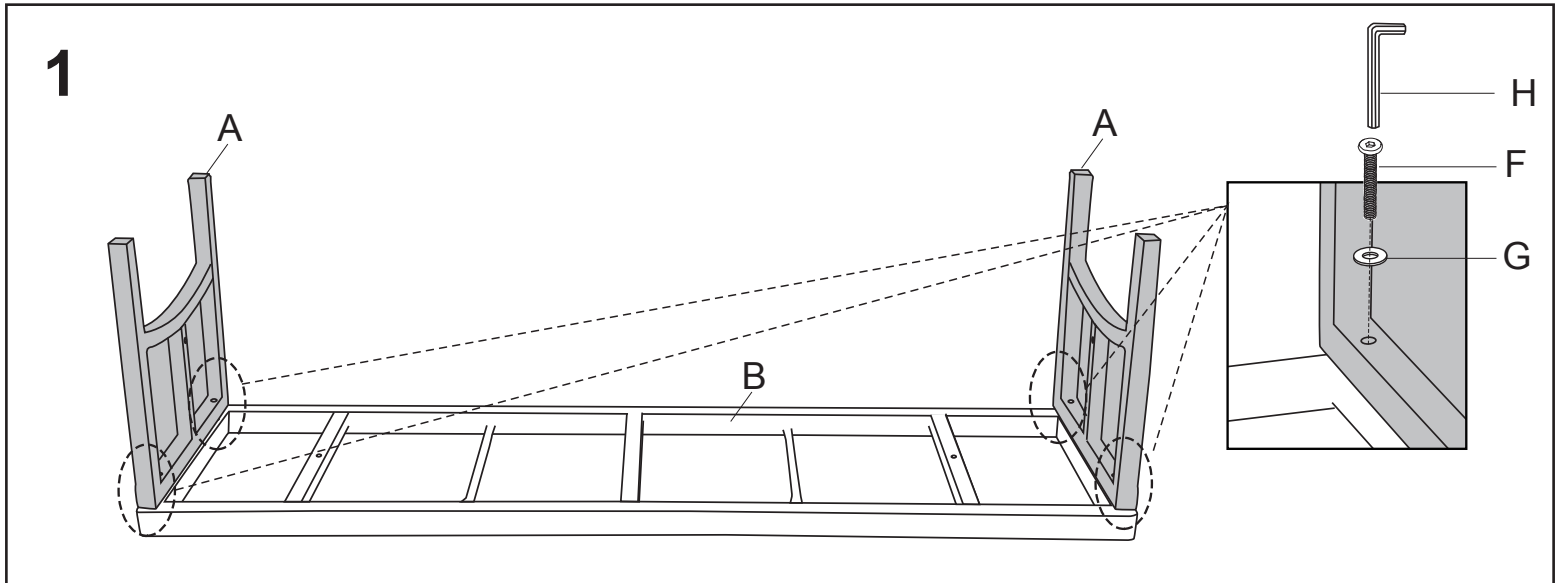
<p>A x1</p>  <p>120x12x50cm</p>	<p>B x1</p>  <p>120X70X36cm</p>	<p>C x1</p>  <p>120X58X7cm</p>	<p>D x3</p> 	<p>E x5</p>  <p>M6*35mm</p> <p>F x5</p>  <p>ø6.5*1.0*ø13mm</p>	<p>G x1</p> 
---	--	---	--	--	---



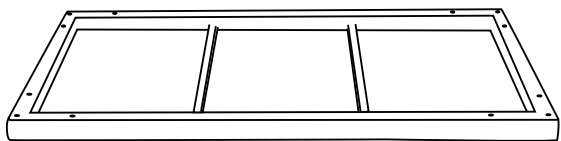
<p>A x2</p>  <p>40x23cm</p>	<p>B x1</p>  <p>40X40cm</p>	<p>C x1</p>  <p>8.5x36cm</p>	<p>D x1</p> 	<p>E x8</p>  <p>M6*15mm</p> <p>F x4</p>  <p>M6*30mm</p>	<p>G x12</p>  <p>φ6.5*1.0*φ13mm</p> <p>H x1</p> 
--	--	---	---	---	--



<p>A x2</p>  <p>30x31.5cm</p>	<p>B x1</p>  <p>112x30cm</p>	<p>D x2</p> 	<p>E x4</p>  <p>M6*15mm</p>	<p>G x8</p>  <p>φ6.5*1.0*φ13mm</p>
<p>C x1</p>  <p>112x31x7cm</p>	<p>F x4</p>  <p>M6*35mm</p>	<p>H x1</p> 		

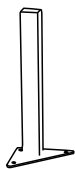


A x1



80x50cm

B x4



8x27cm

C x12



M6\*15mm

D x12

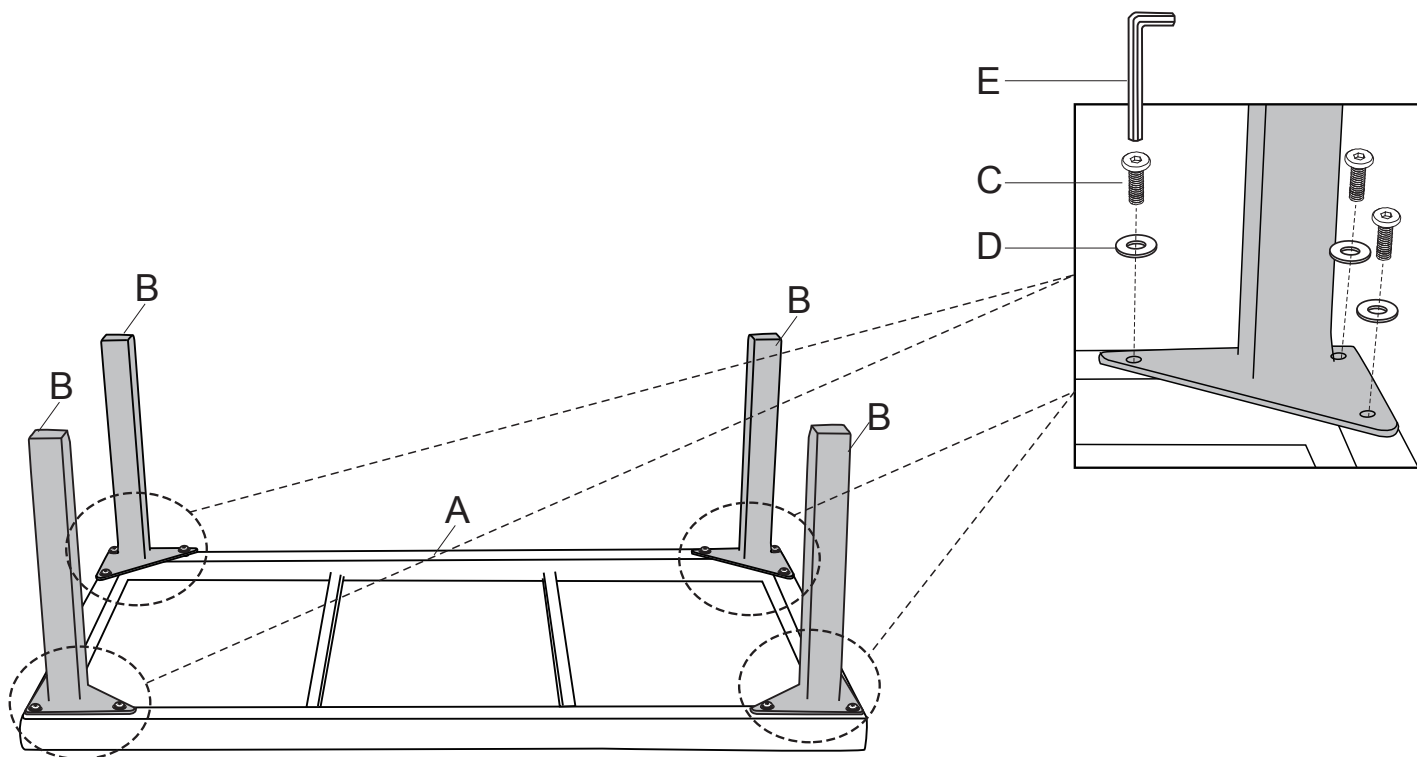


$\phi 6.5 * 1.0 * \phi 13 \text{mm}$

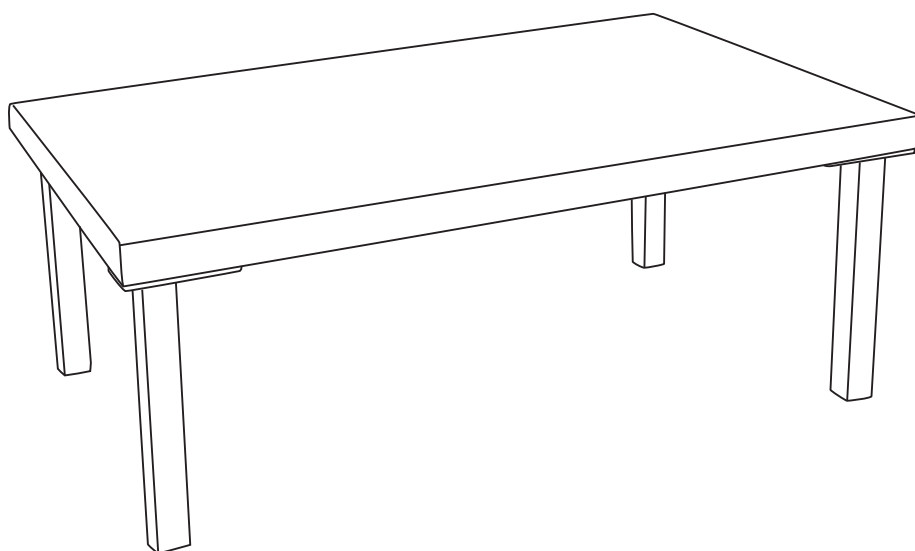
E x1

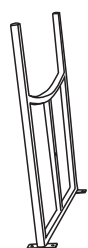
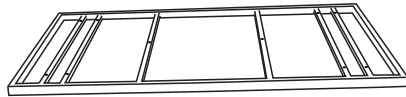
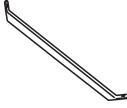





1



2



<p>A x1</p>  <p>48x66cm</p>	<p>B x1</p>  <p>112x60cm</p>	<p>C x2</p> 	<p>D x12</p>  <p>M6*15mm</p>	<p>E x12</p>  <p>φ6.5*1.0*φ13mm</p>	<p>F x1</p> 
--	---	---	---	--	---

