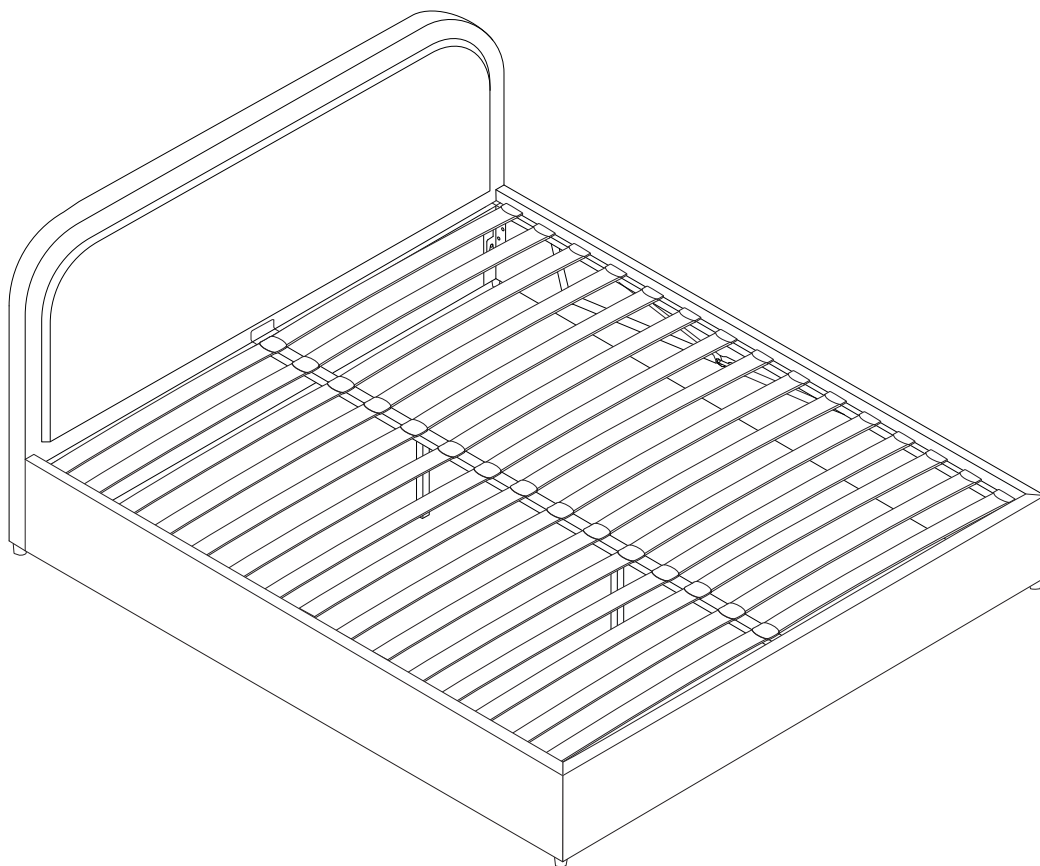
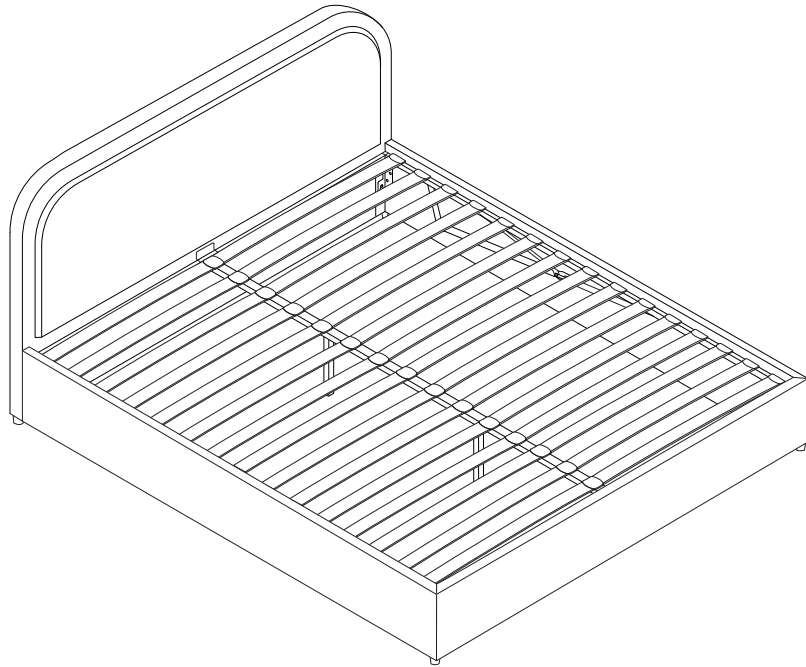
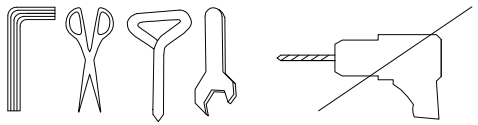
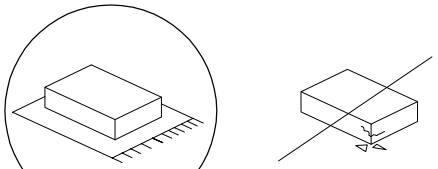


# QUILLIEN



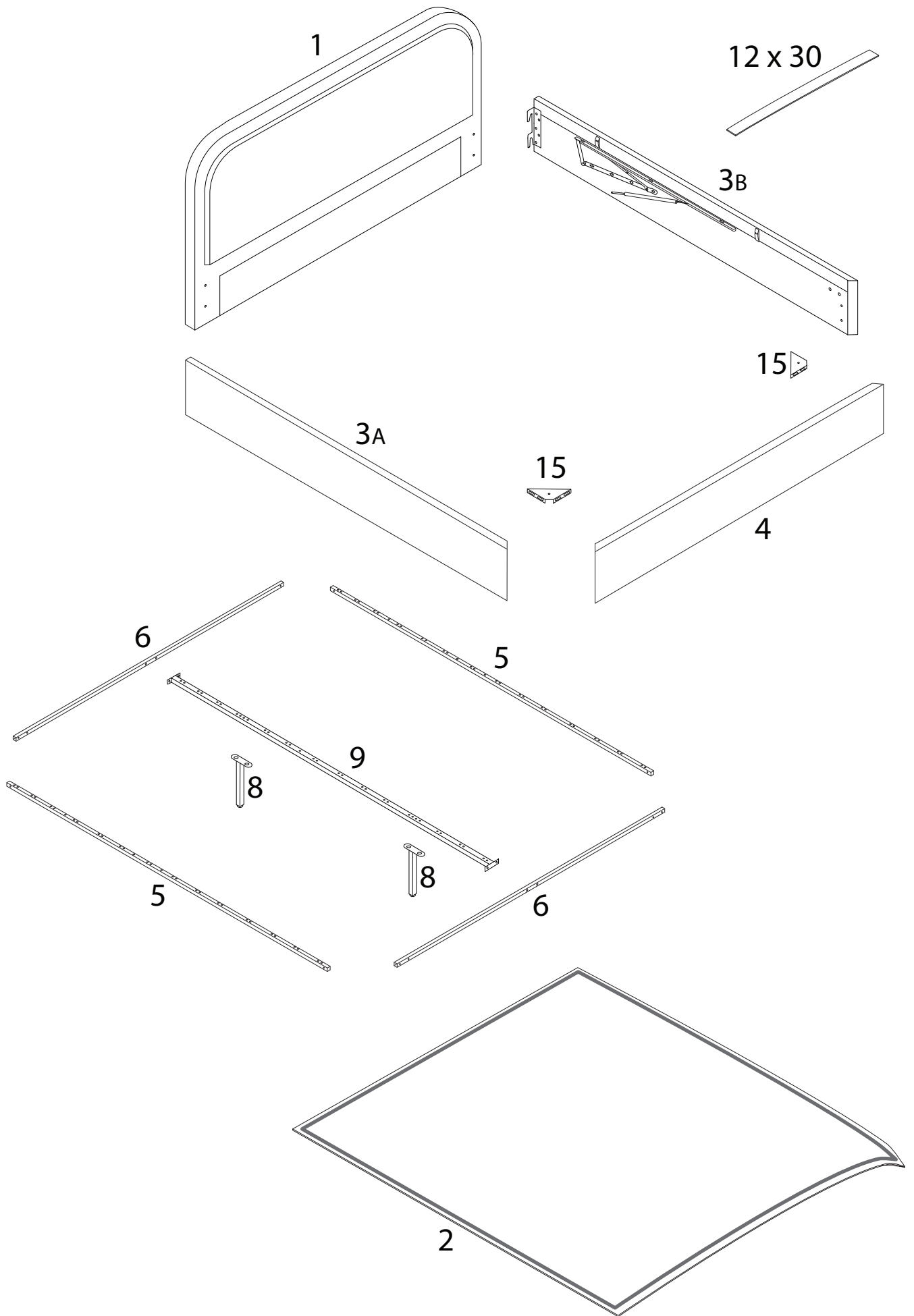


! 

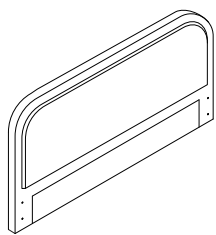
! 

45'

2

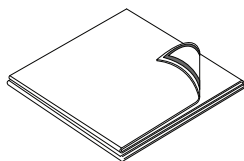


1



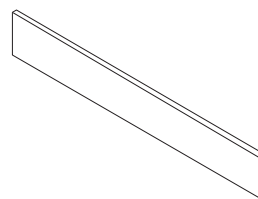
x 1

2



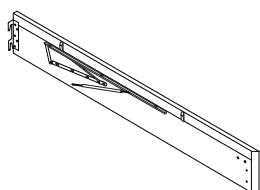
x 1

3A



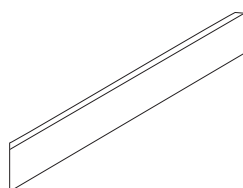
x 1

3B



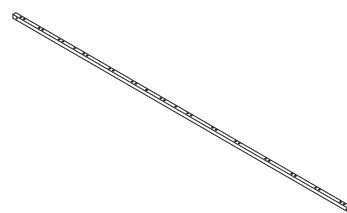
x 1

4



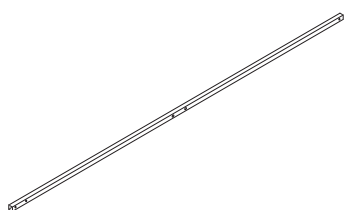
x 1

5



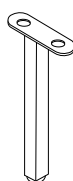
x 2

6



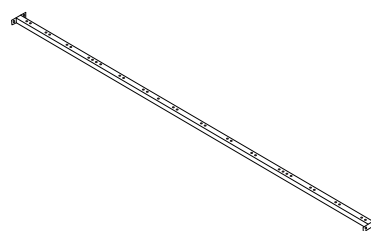
x 2

8



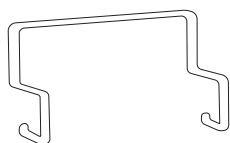
x 2

9



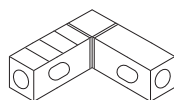
x 1

10



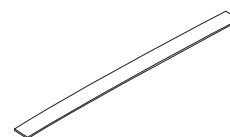
x 1

11



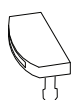
x 4

12



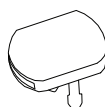
x 30

13



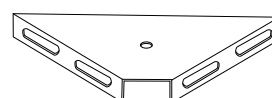
x 30

14



x 15

15



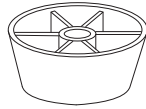
x 2

16



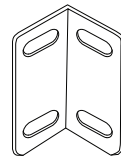
x 1

17



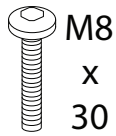
x 4

18



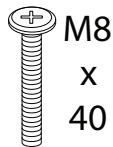
x 2

A



x 20

B



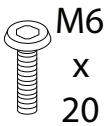
x 14

C



x 2

D1



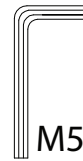
x 8

D2



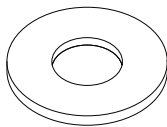
x 8

E



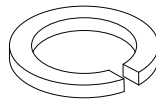
x 2

F



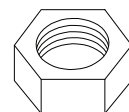
x 12

G



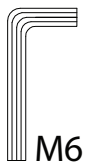
x 4

H



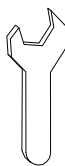
x 14

I



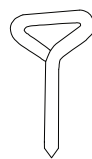
x 1

J



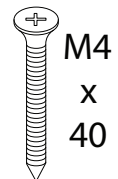
x 1

K



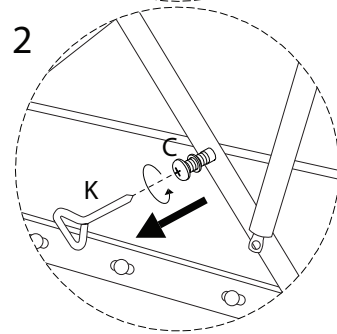
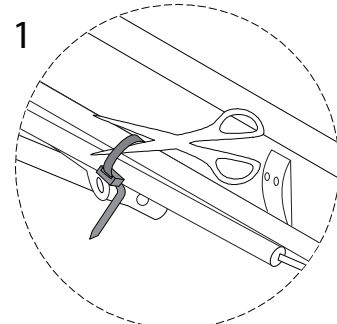
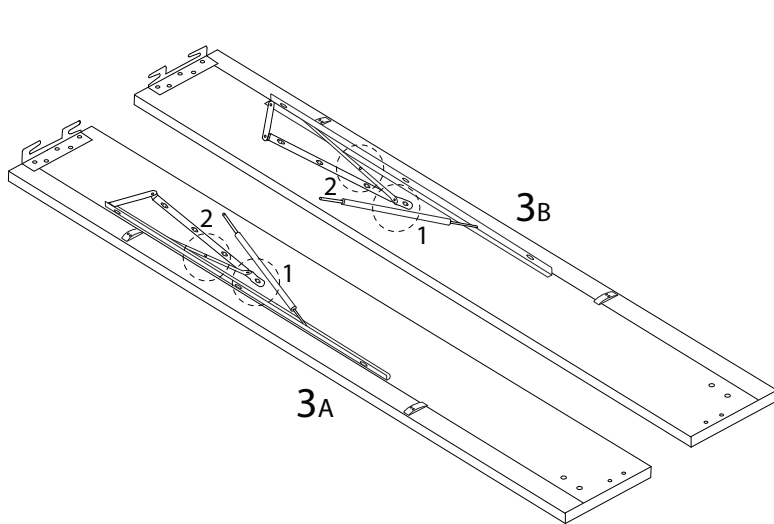
x 1

M



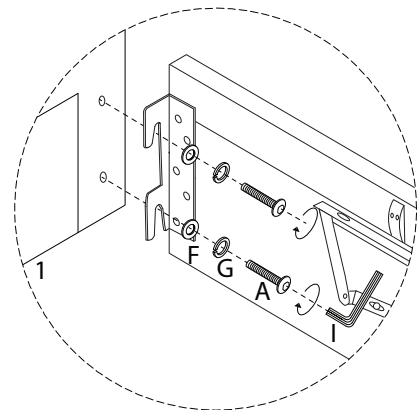
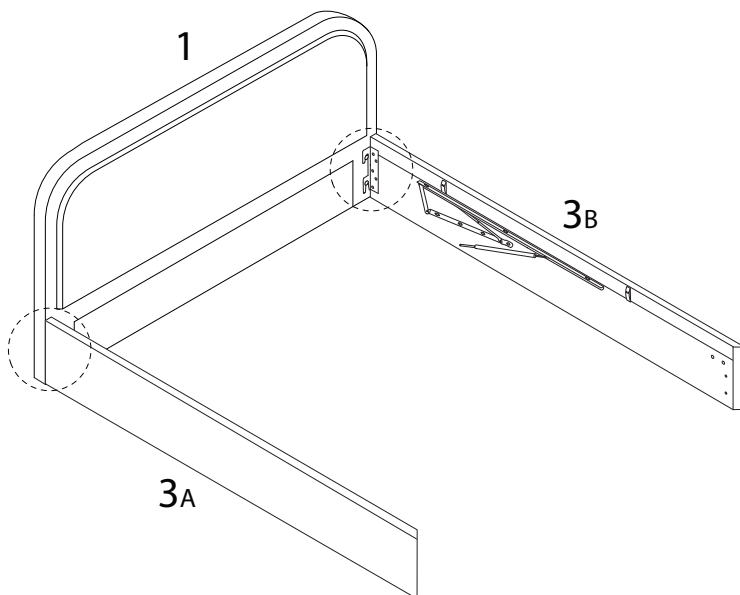
x 4

!

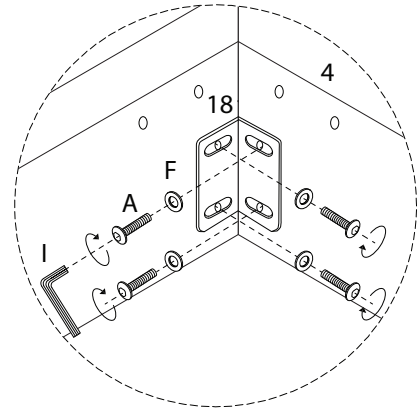
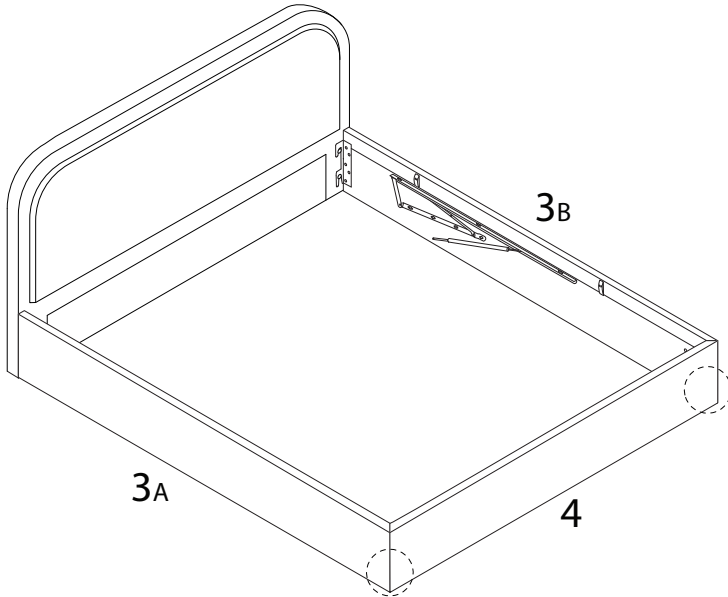
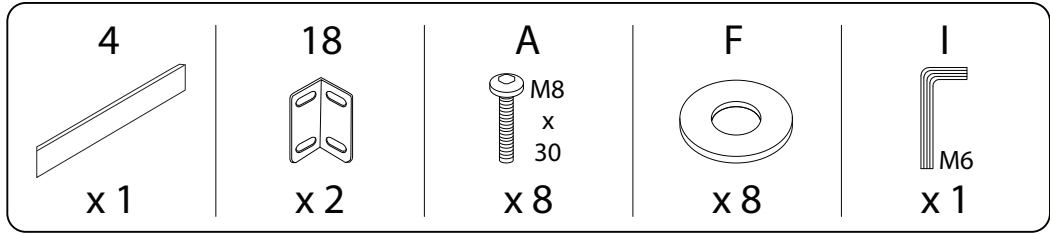


1

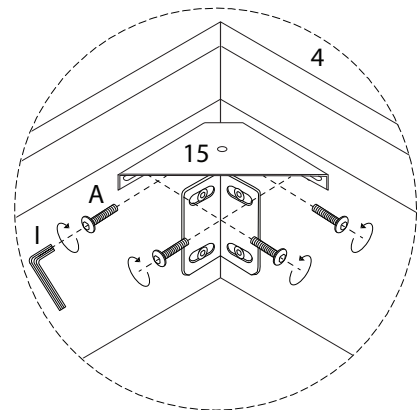
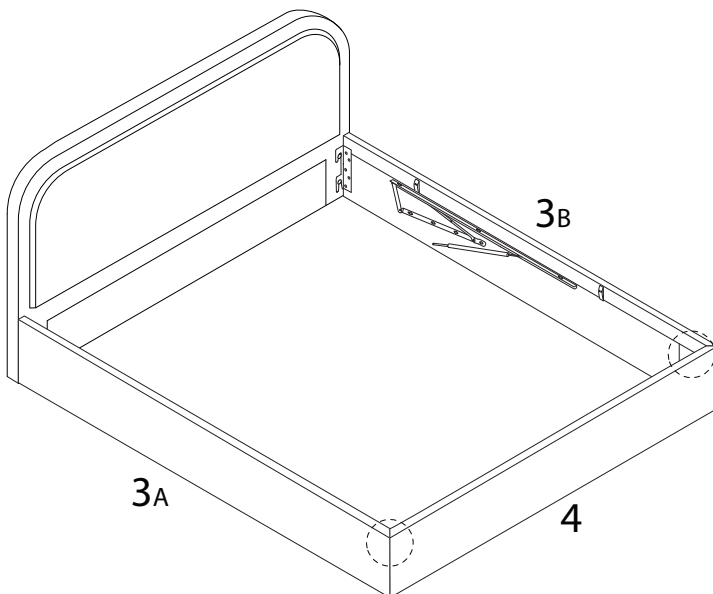
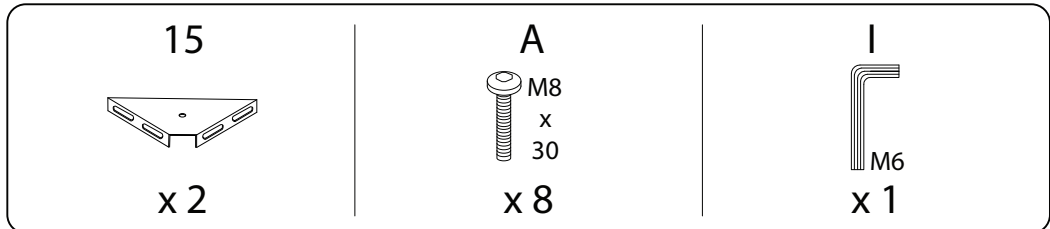
 1 x 1	 3A x 1	 3B x 1	 A M8 x 30 x 4	 F x 4	 G x 4	 I M6 x 1
--------------	---------------	---------------	-------------------------------	--------------	--------------	--------------------



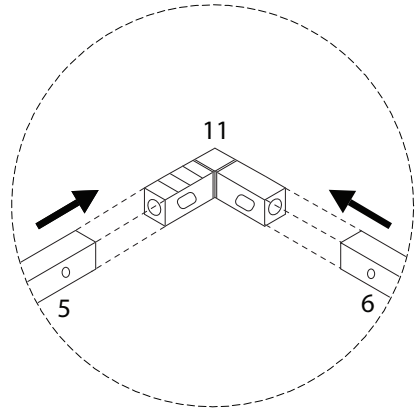
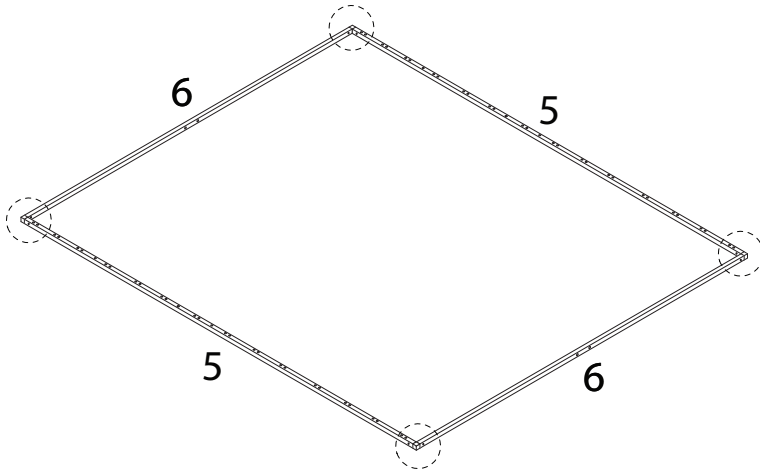
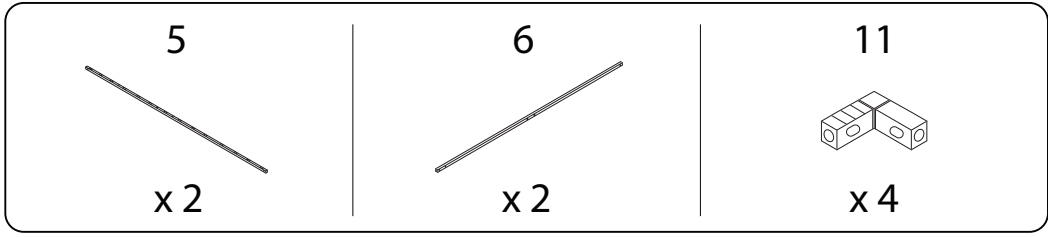
2



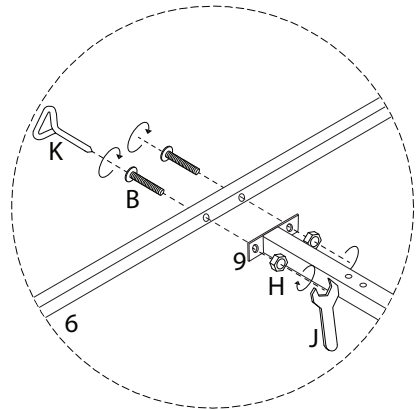
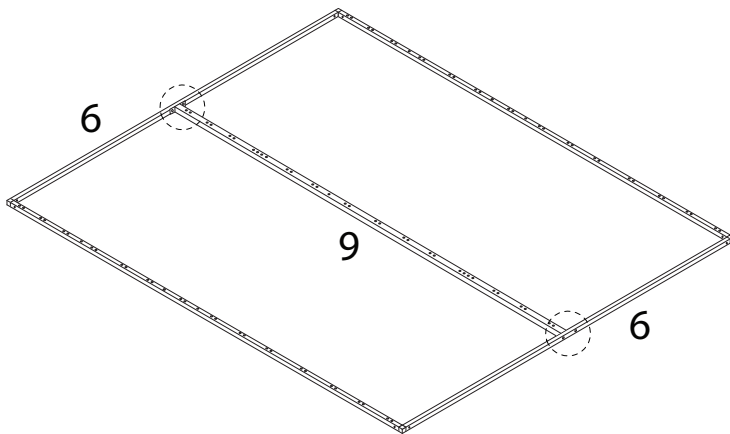
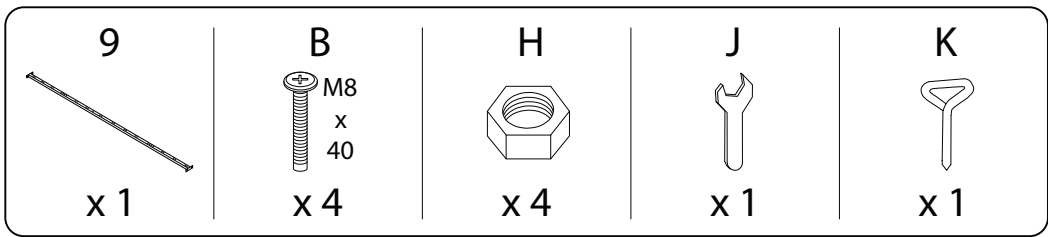
3



4



5



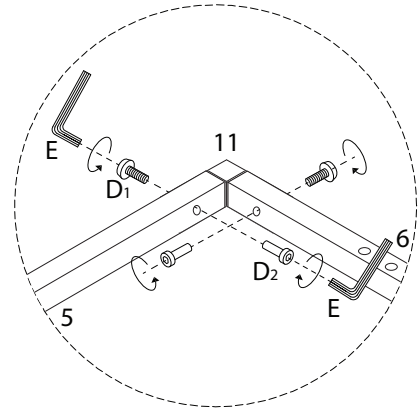
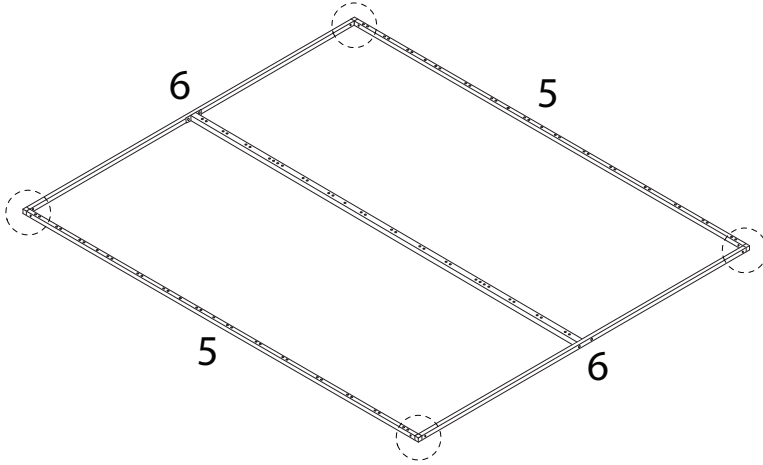


6

D1  
M6  
x  
20  
x 8

D2  
x 8

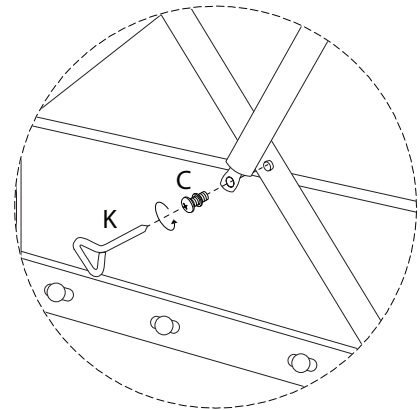
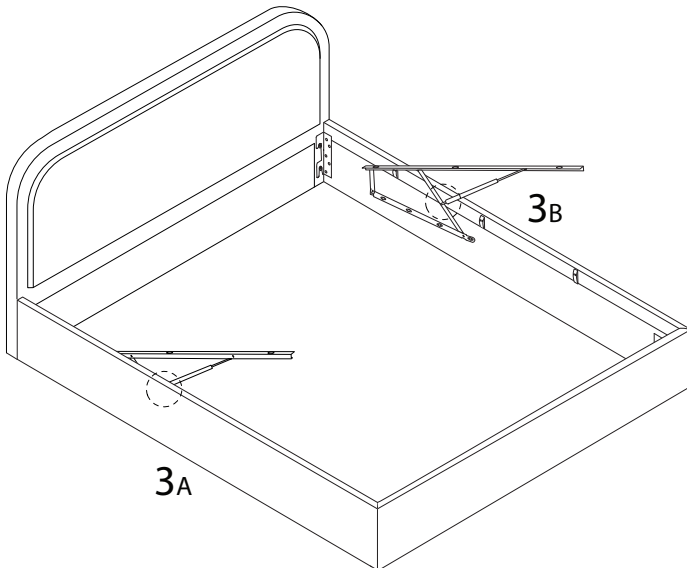
E  
M5  
x 2



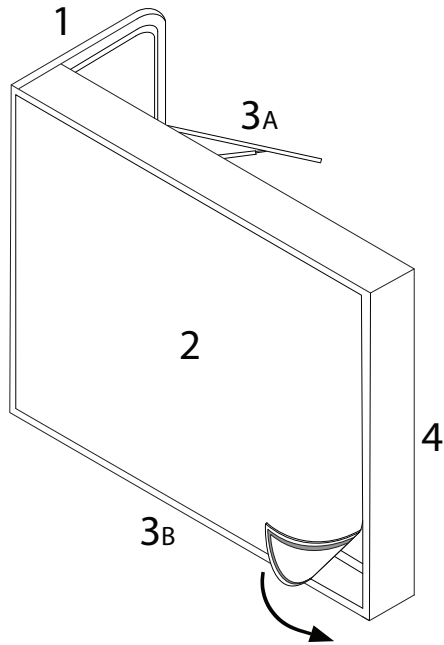
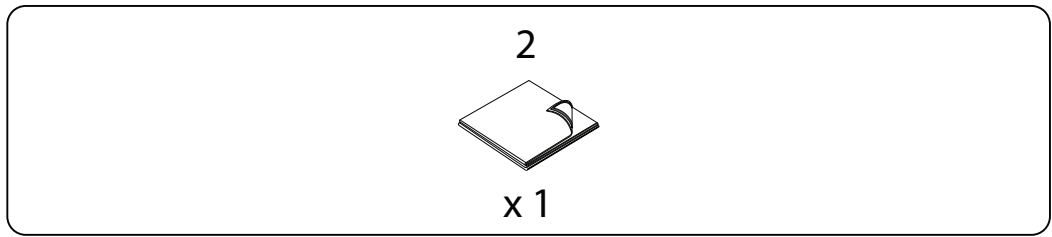
7

C  
x 2

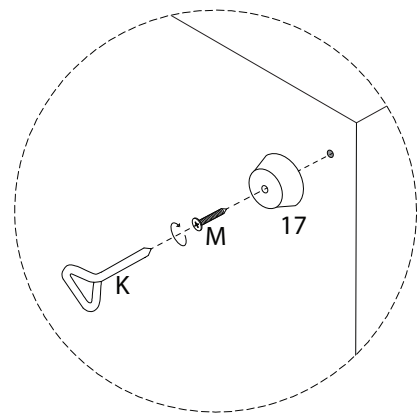
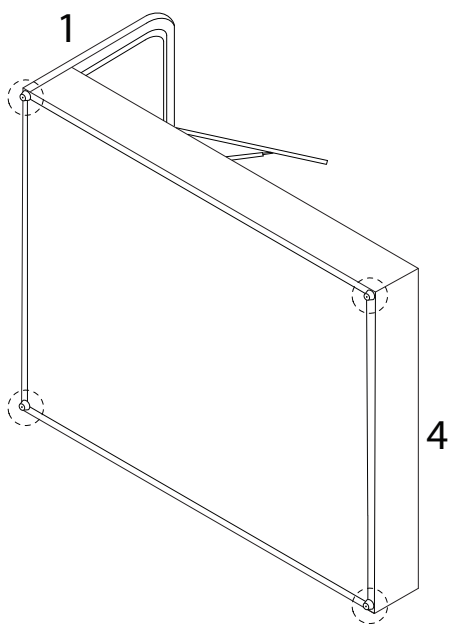
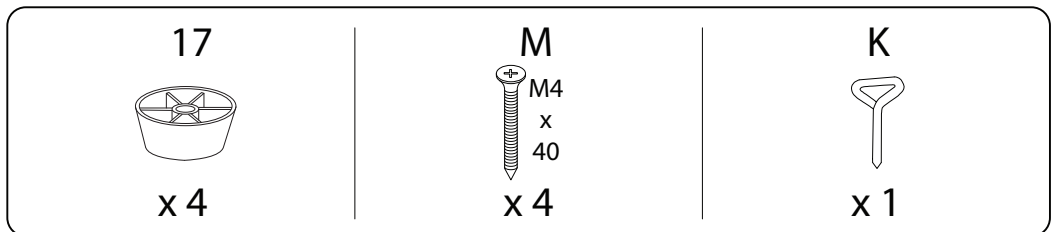
K  
x 1



8



9



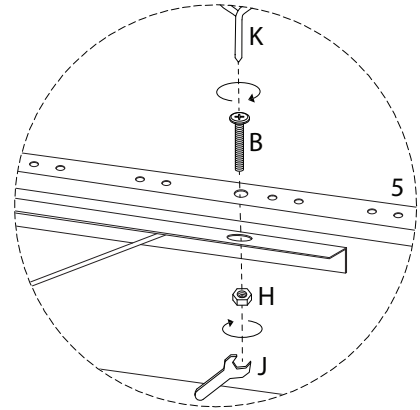
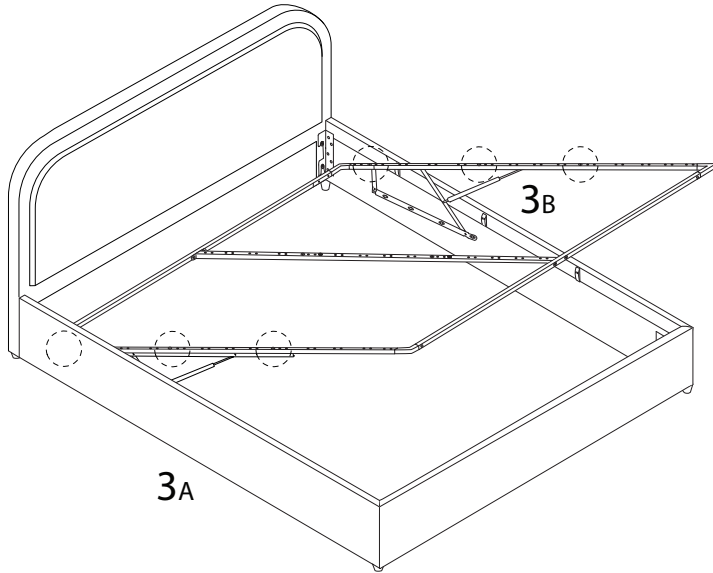
10

**B**  
M8  
x  
40  
x 6

**H**  
x 6

**J**  
x 1

**K**  
x 1



11

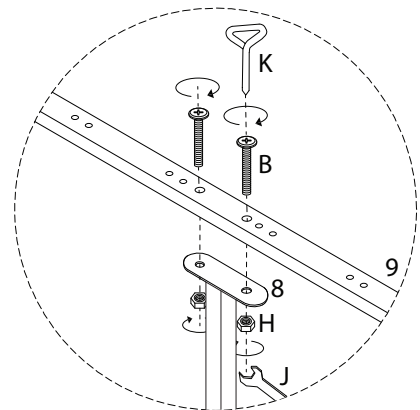
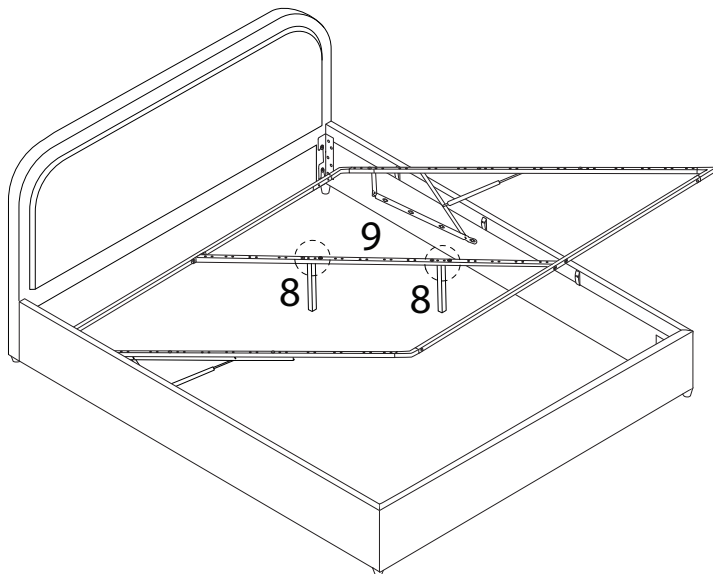
**8**  
x 2

**B**  
M8  
x  
40  
x 4

**H**  
x 4

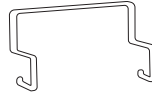
**J**  
x 1

**K**  
x 1

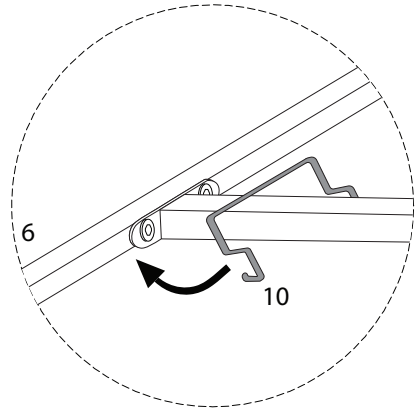
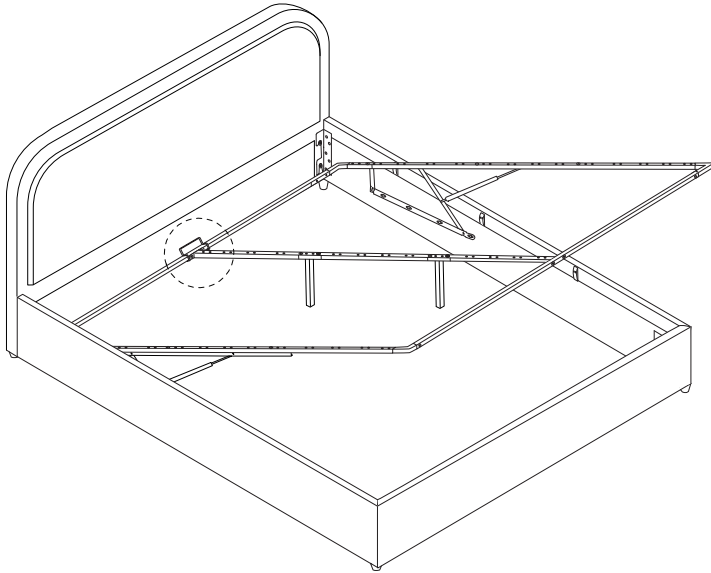


12

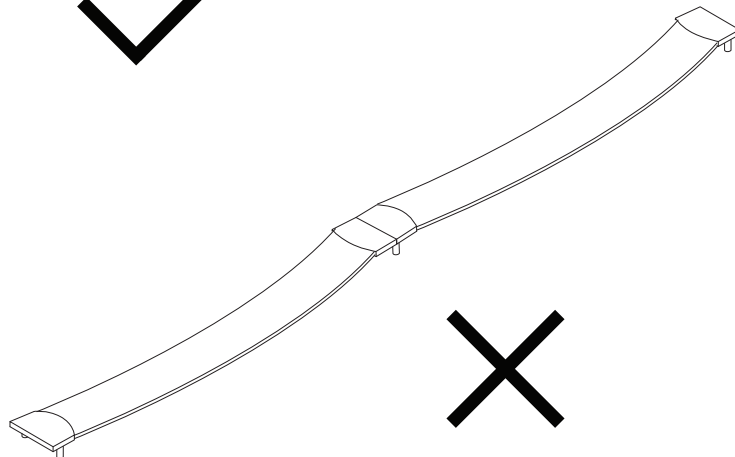
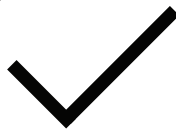
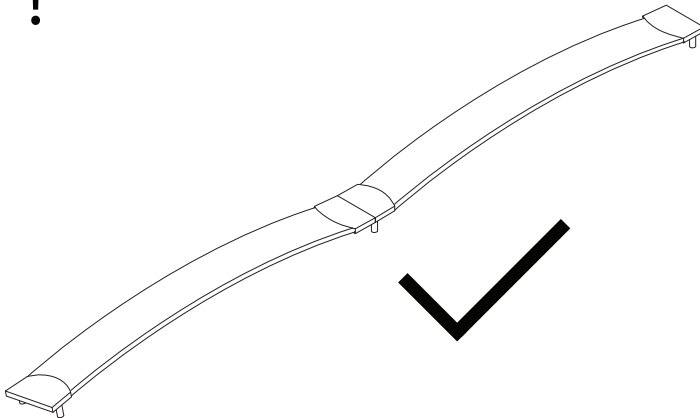
10



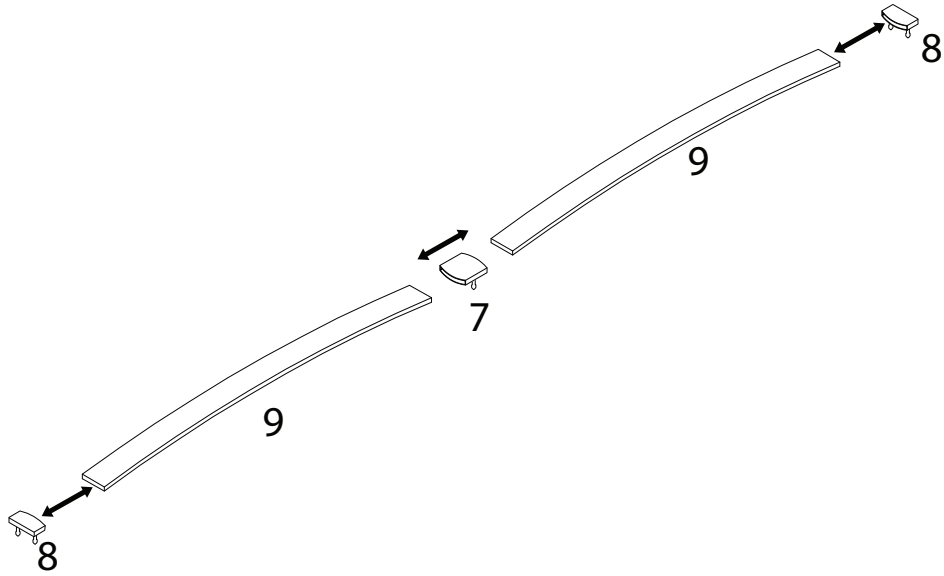
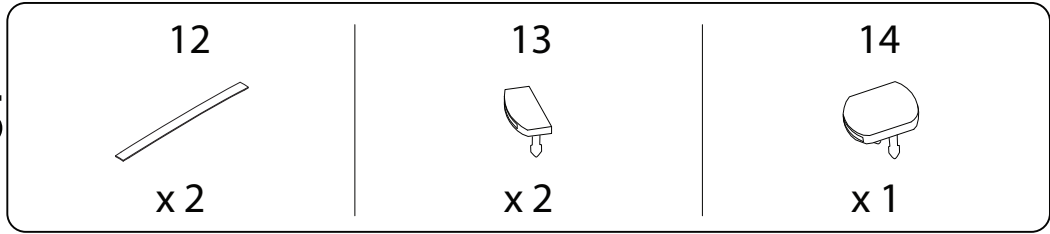
x 1



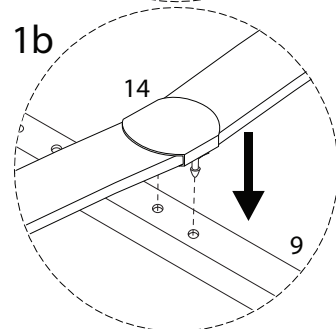
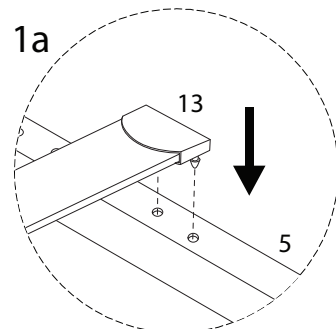
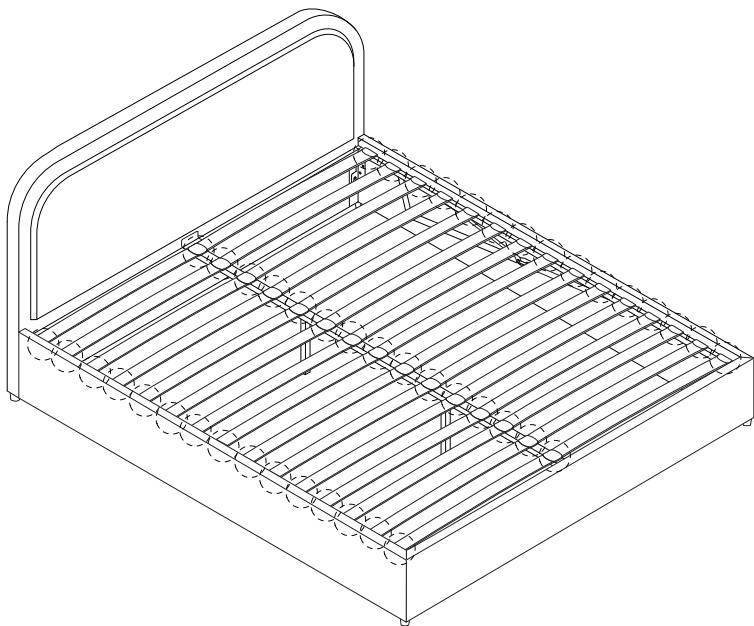
!



13 x 15



14



15

16



x 1

