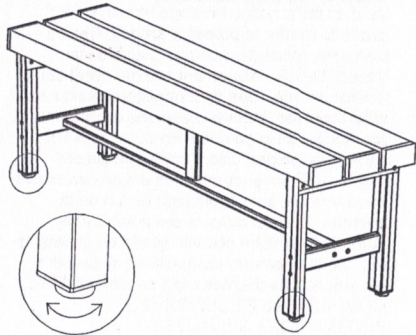


Item:94663

# ASSEMBLY INSTRUCTION



Thank you for your purchase of this product. Please read this manual to the end before using it, and use it correctly for a long time. This manual should not be thrown away after assembly. Please keep it well.

### Warning

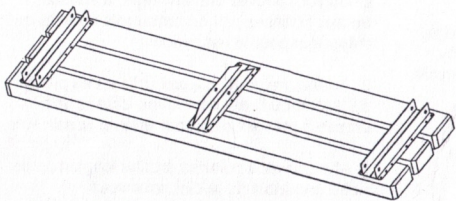
Asset should be done where there is cloth or carpet on the floor, and be careful not to scratch the product, floor or existing furniture. Assemble while maintaining balance in a flat place. Tighten the various screws temporarily, and tighten the parts firmly after assembly for easier assembly. Please prepare gloves + cross Screw lot. Please make sure the parts are complete before assembly.



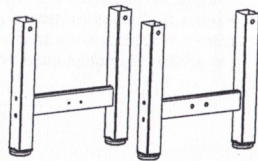
bring your own device  
(Gloves + cross Screw lot)

Please check the bolts regularly as loosening may occur on the bolts while using the product. Do not scratch the product with sharp knives or rough surfaces. The paint may cause rust due to peeling. Please pay attention to the product depression and deformation caused by falling. Also, when installing, be careful not to contact the wall. It may cause scratches and dents.

①x1PC



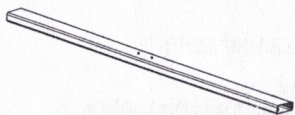
②x2PCS



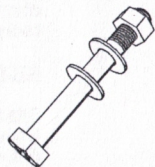
③x1PC



④x1PC



⑤x5PCS



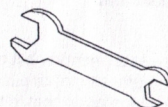
⑥x6PCS



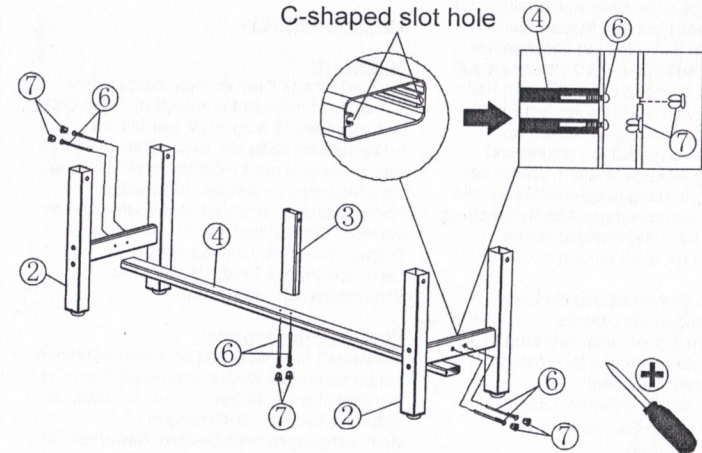
⑦x6PCS



⑧x2PCS



**Step 1.** First the transverse pipe ④ and ③ reinforcing tube fixed by ⑥, and then the ② foot fixed by ⑥, all according to the figure aligned with the C-shaped slot hole, with the cross screw batch after tightening the ⑦ into the hole.



**Step 2.** First screw the screw washer and nut out, and then put the ① panel flat according to the figure, the first step installed the tripod into the panel ① slot, with the ⑤ in turn according to the figure to load the hole, and with spanner ⑧ tightening, set complete. 2. First screw the screw meson and nut out, and then put the ① panel flat according to the figure, the first step installed the tripod into the panel ① slot, with the ⑤ in turn according to the figure to load the hole, and use spanner ⑧ tightening, set complete.

