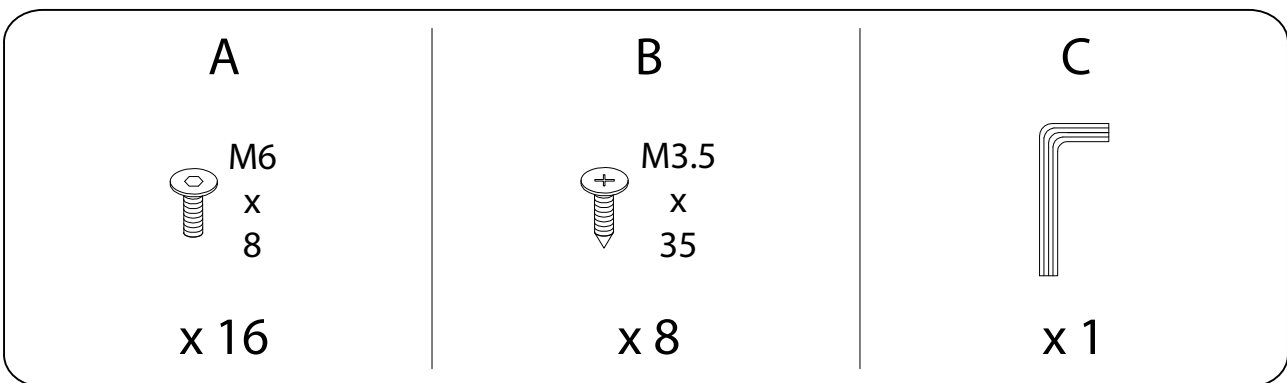
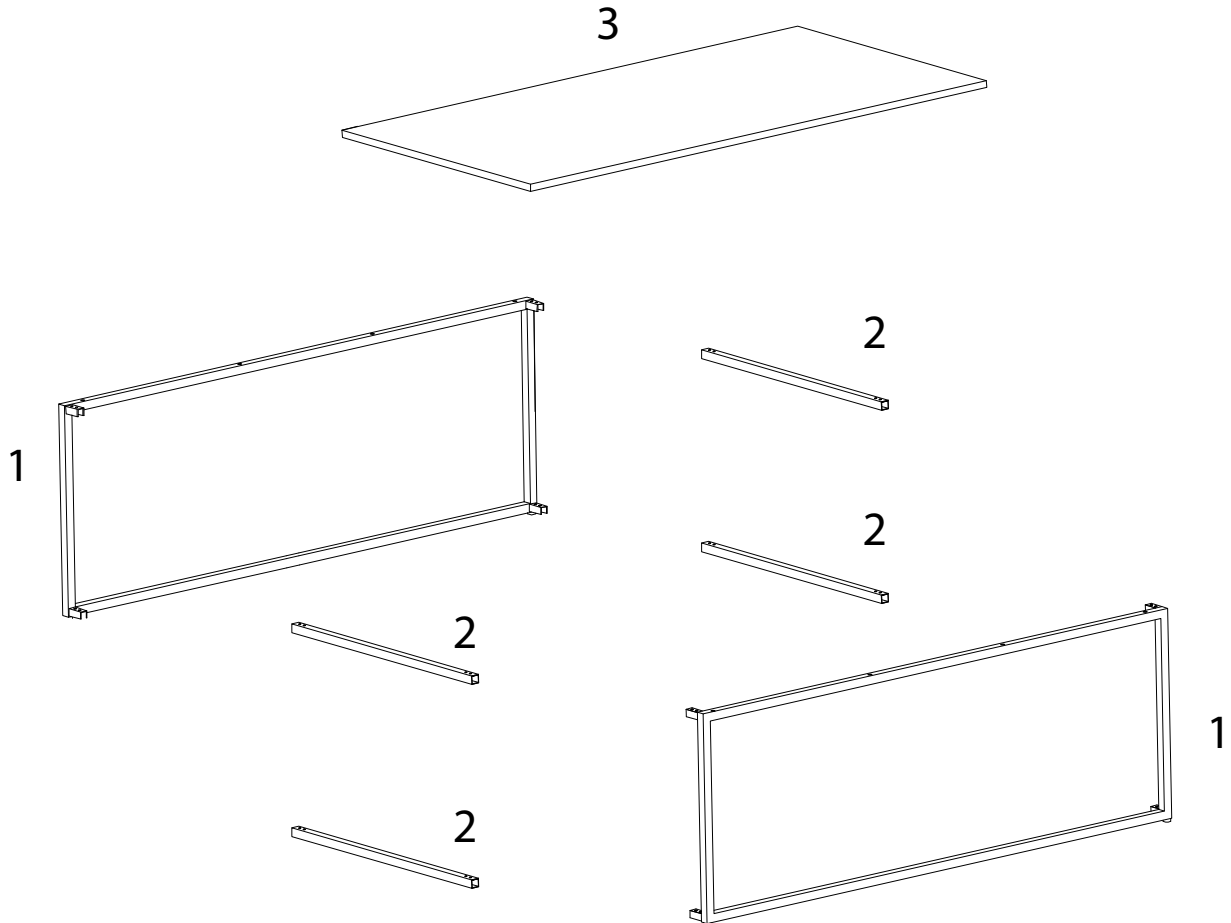
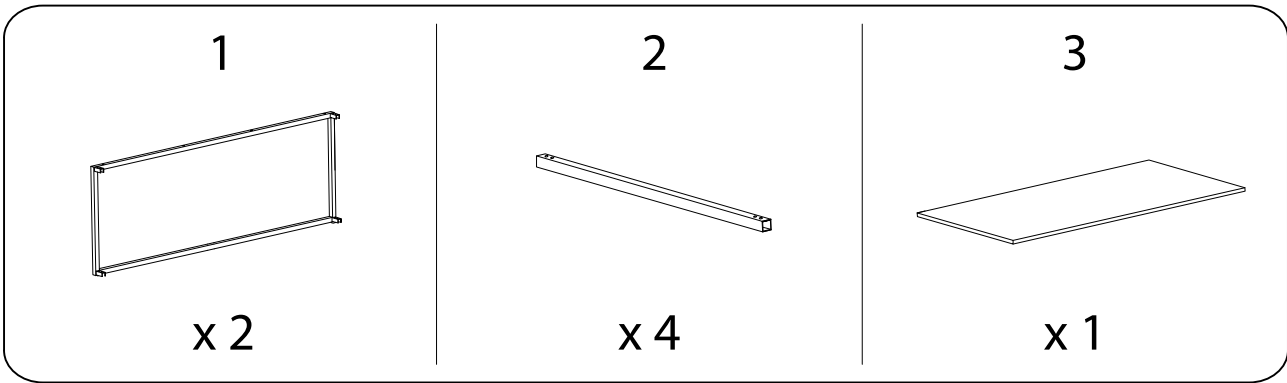
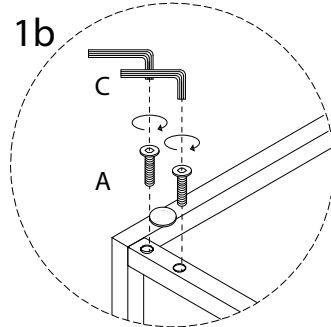
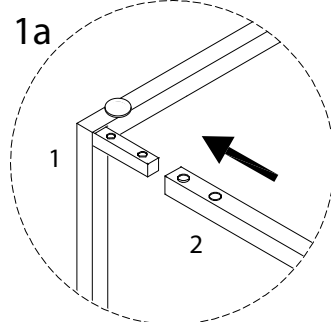
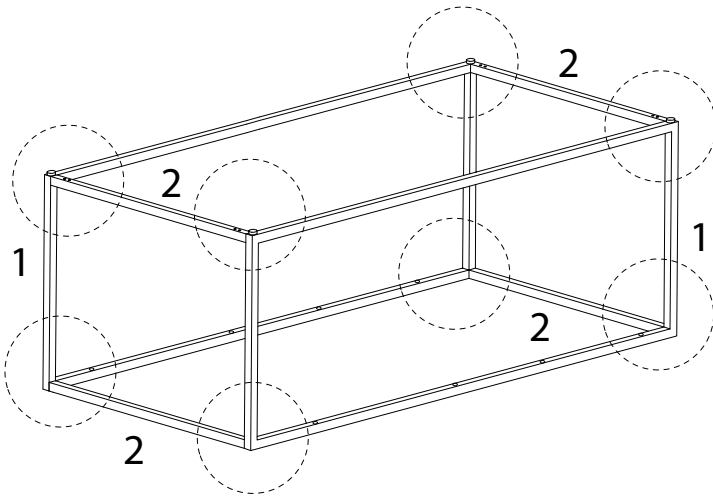
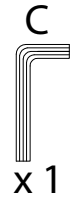
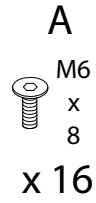
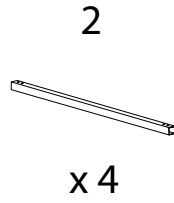
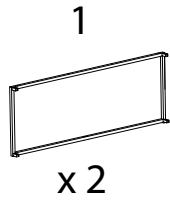


Diagram illustrating assembly steps and safety warnings:

- Step 1:** Shows an L-shaped metal bracket being secured with a power drill. A warning triangle with an exclamation mark is present.
- Step 2:** Shows a rectangular panel being placed on a surface. A warning triangle with an exclamation mark is present.
- Time:** A clock icon indicates a duration of **30'**.
- Personnel:** A person icon indicates that **1** person is required for this step.



1



2

