

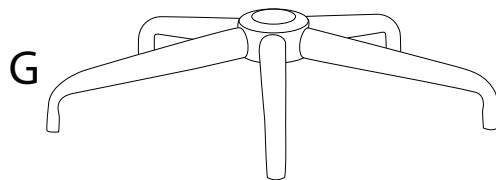
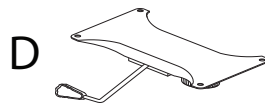
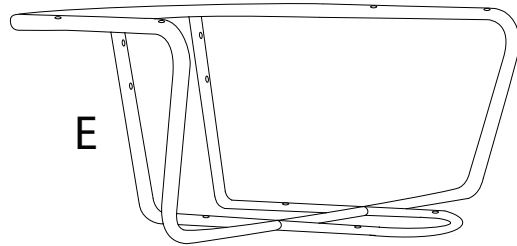
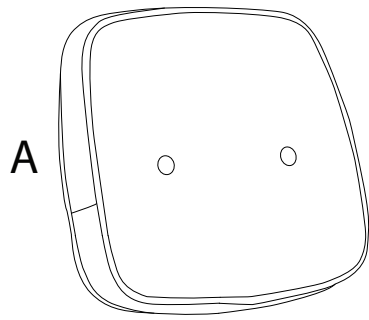
PAWNEE





Diagram illustrating assembly instructions and safety warnings:

- Warning 1:** A warning triangle with an exclamation mark is positioned above a box containing an L-shaped bracket and a crossed-out power drill, indicating that a power drill should not be used for this step.
- Warning 2:** A second warning triangle with an exclamation mark is positioned above a box containing a rectangular block being placed on a textured surface and a crossed-out block being placed on a smooth surface, indicating that the chair should be placed on a textured surface.
- Time:** A clock icon is shown next to the text "30'", indicating the estimated assembly time.
- Person:** A person icon is shown next to the number "1", indicating that one person is required for assembly.



A



x 1

B



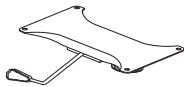
x 1

C



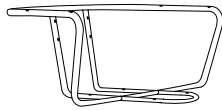
x 2

D



x 1

E



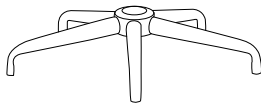
x 1

F



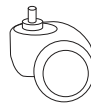
x 1

G



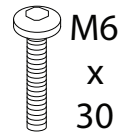
x 1

H



x 5

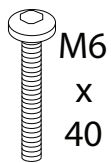
I



M6
x
30

x 4

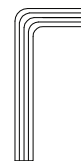
J



M6
x
40

x 8

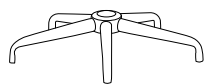
K



x 1

1

G

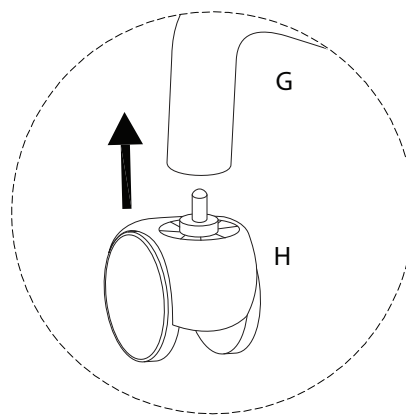
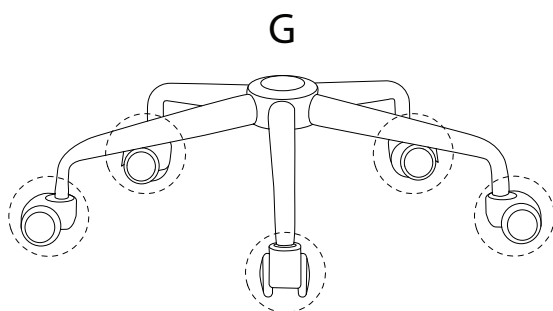


x 1

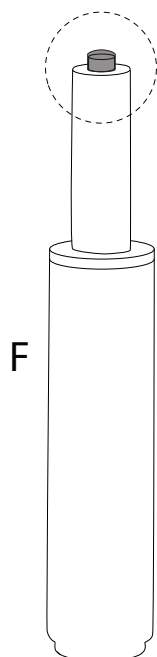
H



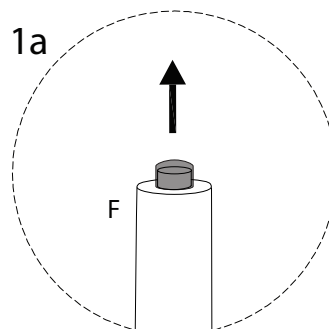
x 5



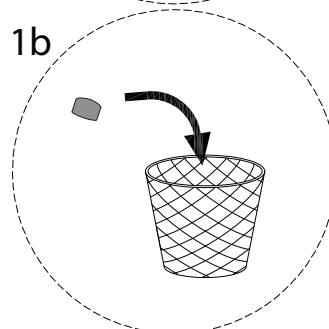
!



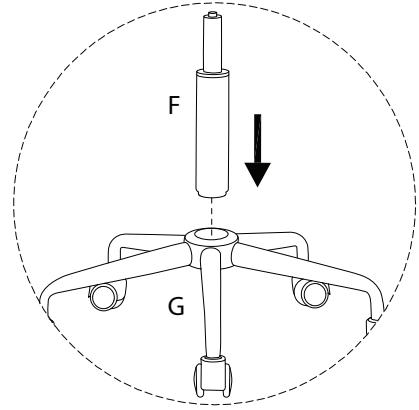
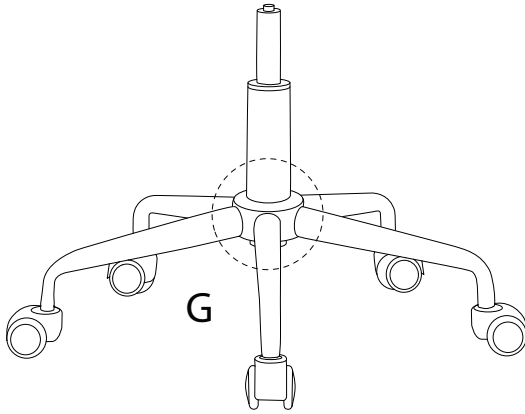
1a



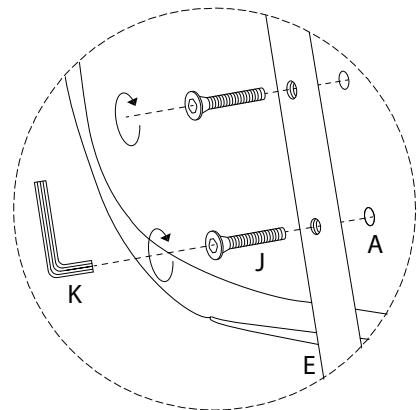
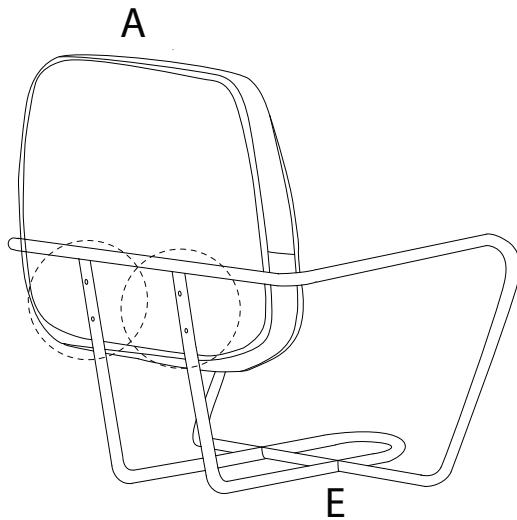
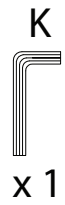
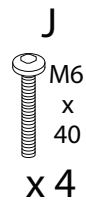
1b



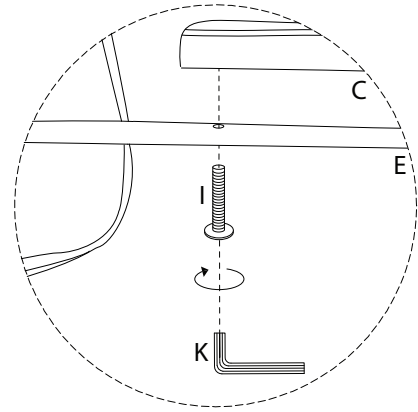
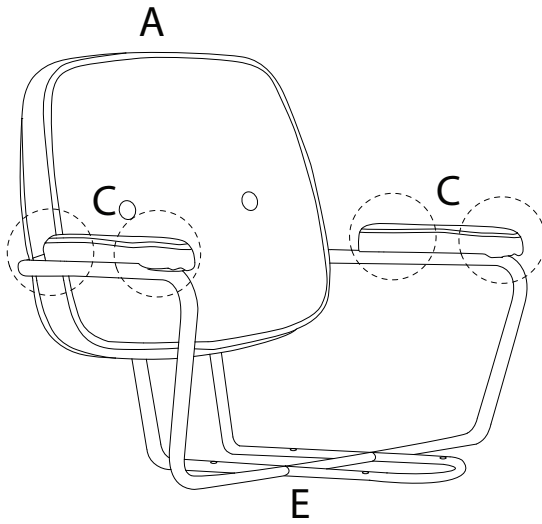
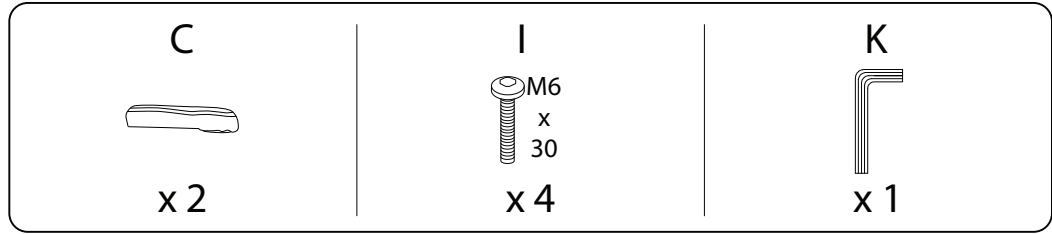
2



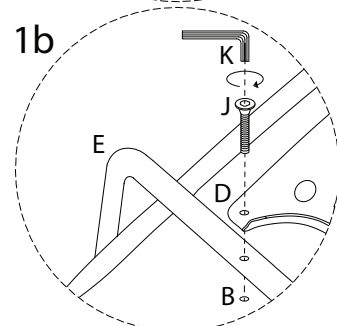
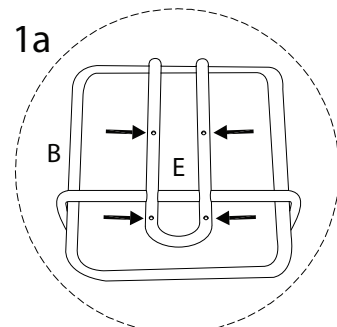
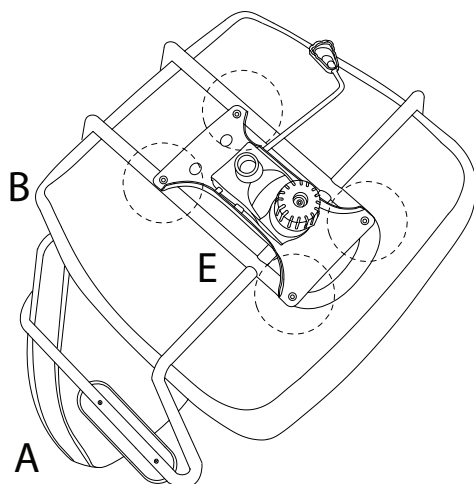
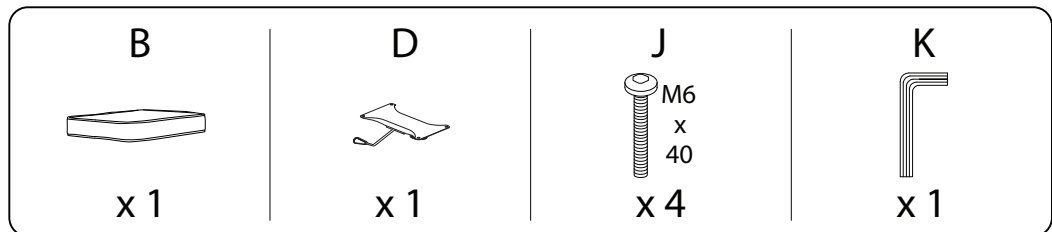
3



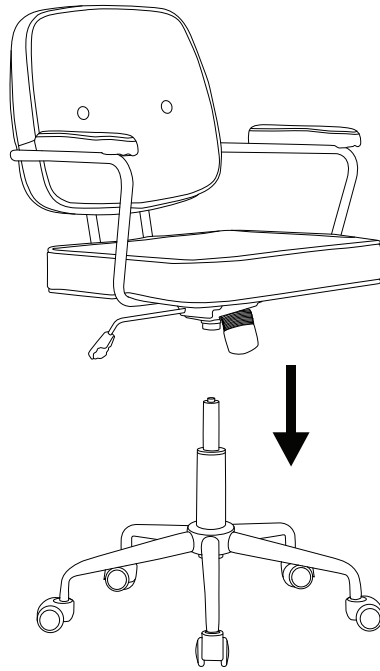
4



5



6



!

