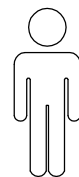
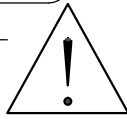
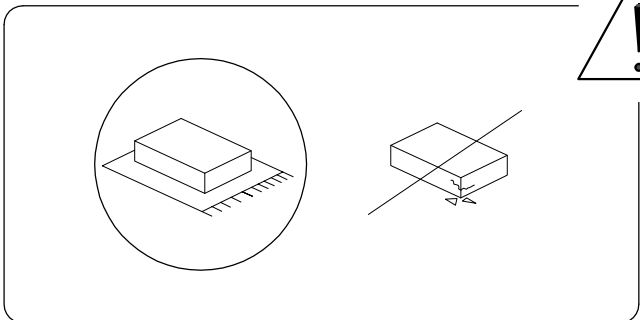
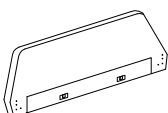
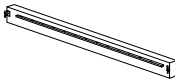


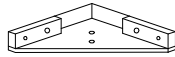

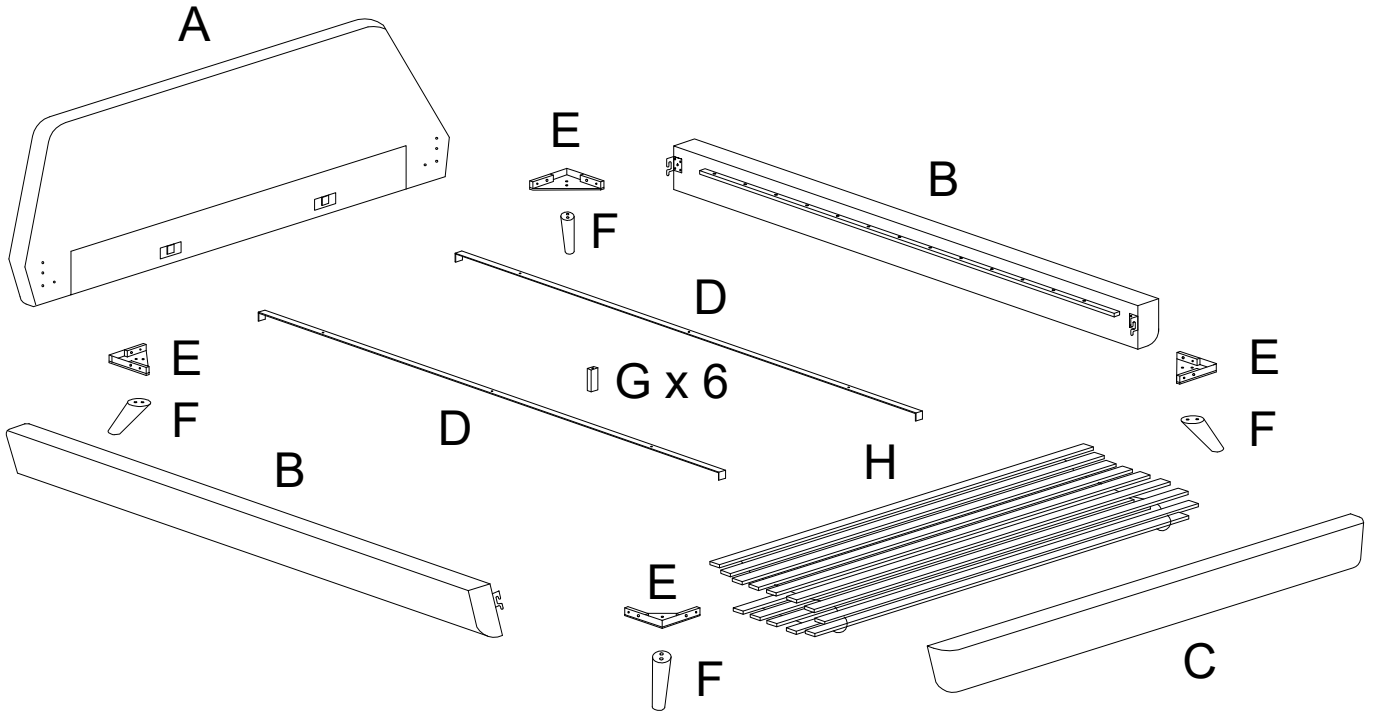




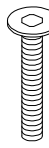
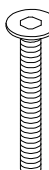
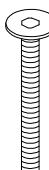
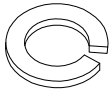
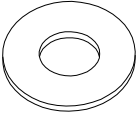
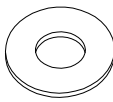
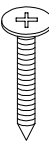
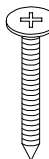
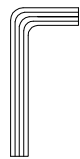

60'



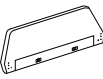


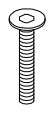
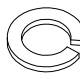

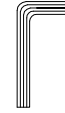
2

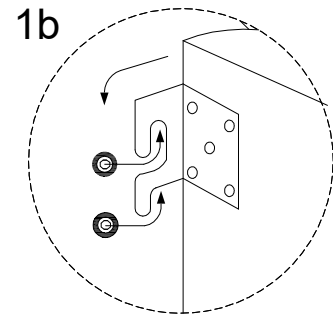
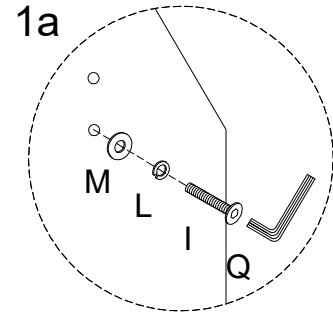
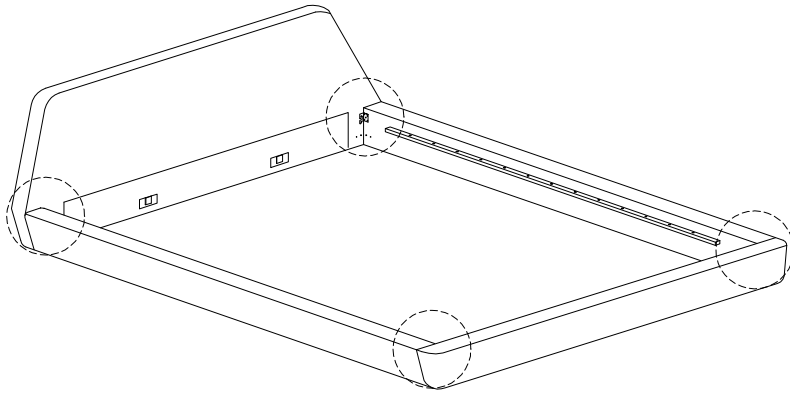
A  x 1	B  x 2	C  x 1	D  x 2	E  x 4	F  x 4
--	--	--	--	--	--



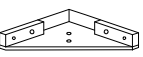
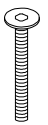


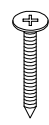
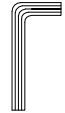
G  x 6	H  x 1	I  M8 x 40 x 8	J  M8 x 50 x 8	K  M6 x 50 x 28	L  x 44
M  x 32	N  x 12	O  M4 x 30 x 46	P  M4 x 38 x 16	Q  x 1	R  x 1

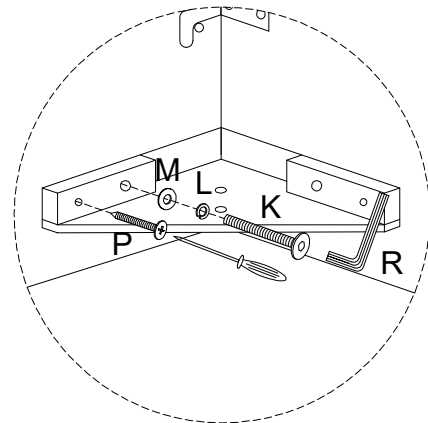
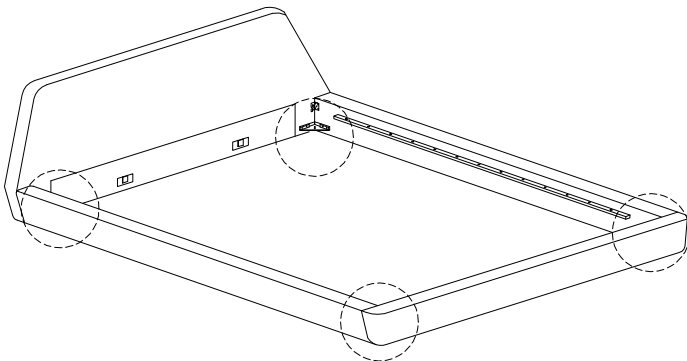
1

A  x 1	B  x 2	C  x 1	I  M8 x 40 x 8	L  x 8	M  x 8	Q  x 1
--	--	--	--	---	--	--

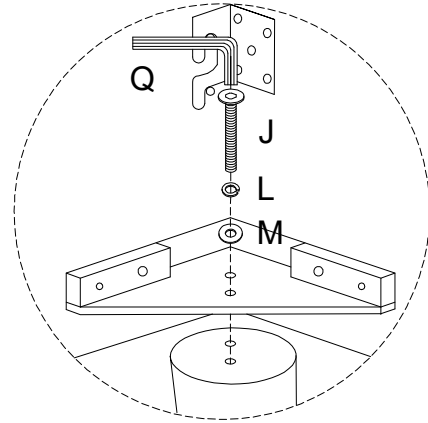
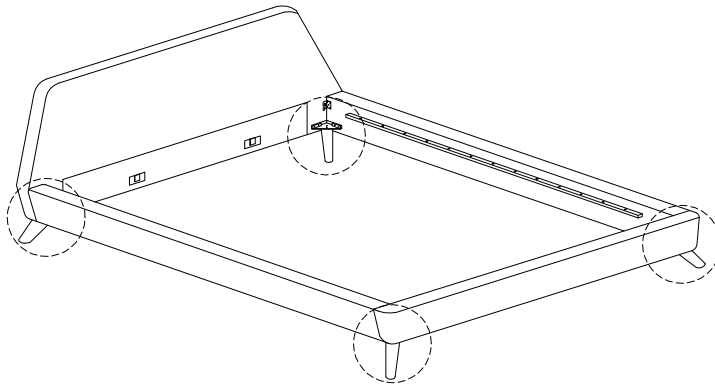
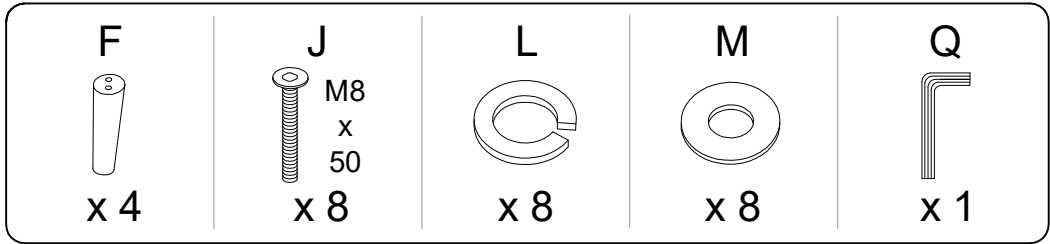


2

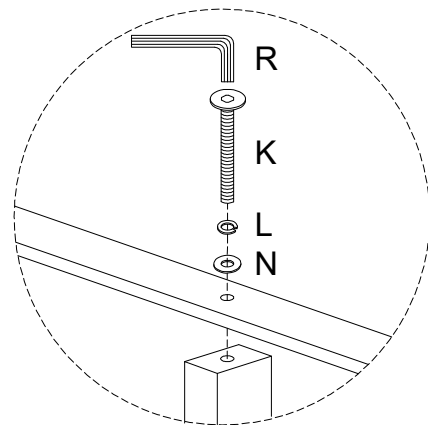
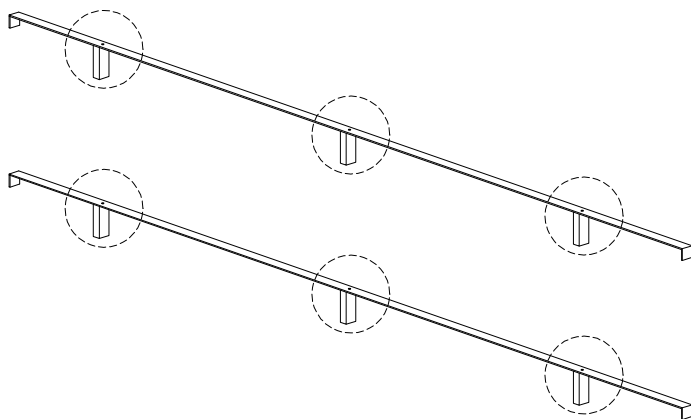
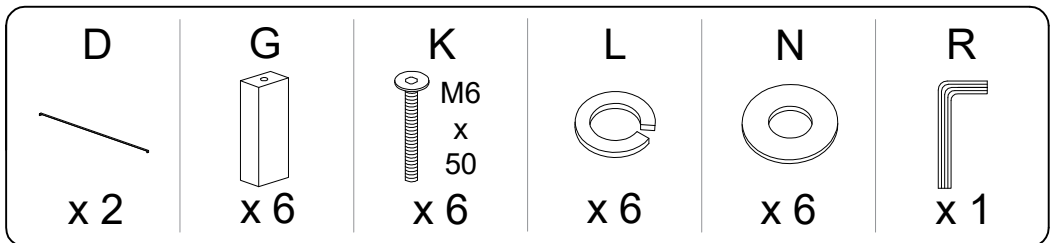
E  x 4	K  M6 x 50 x 16	L  x 16	M  x 16	P  M4 x 38 x 16	R  x 1
--	---	---	--	---	--



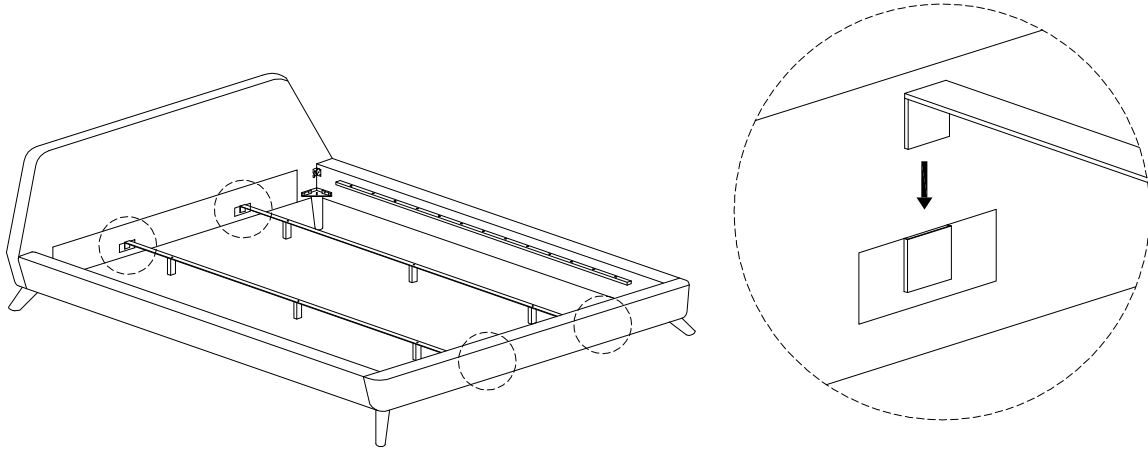
3



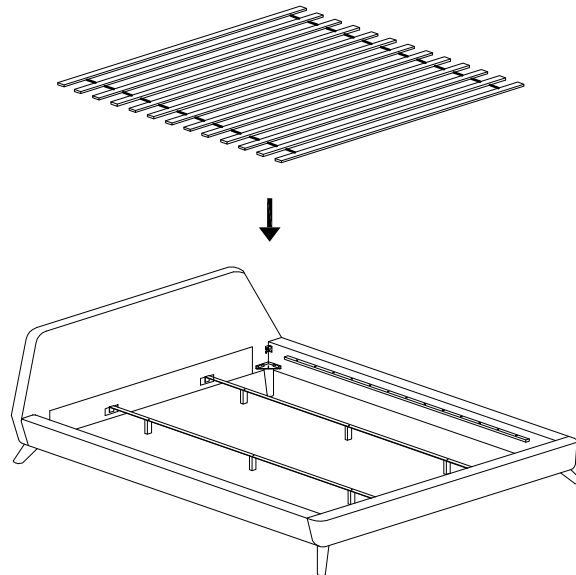
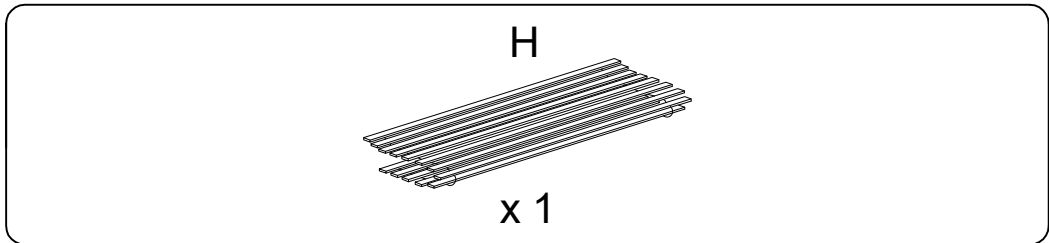
4



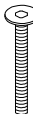


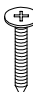
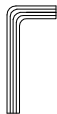
5



6



7

K  M6 x 50 x 6	L  x 6	N  x 6	O  M4 x 30 x 46	R  x 1
---	--	--	--	--

