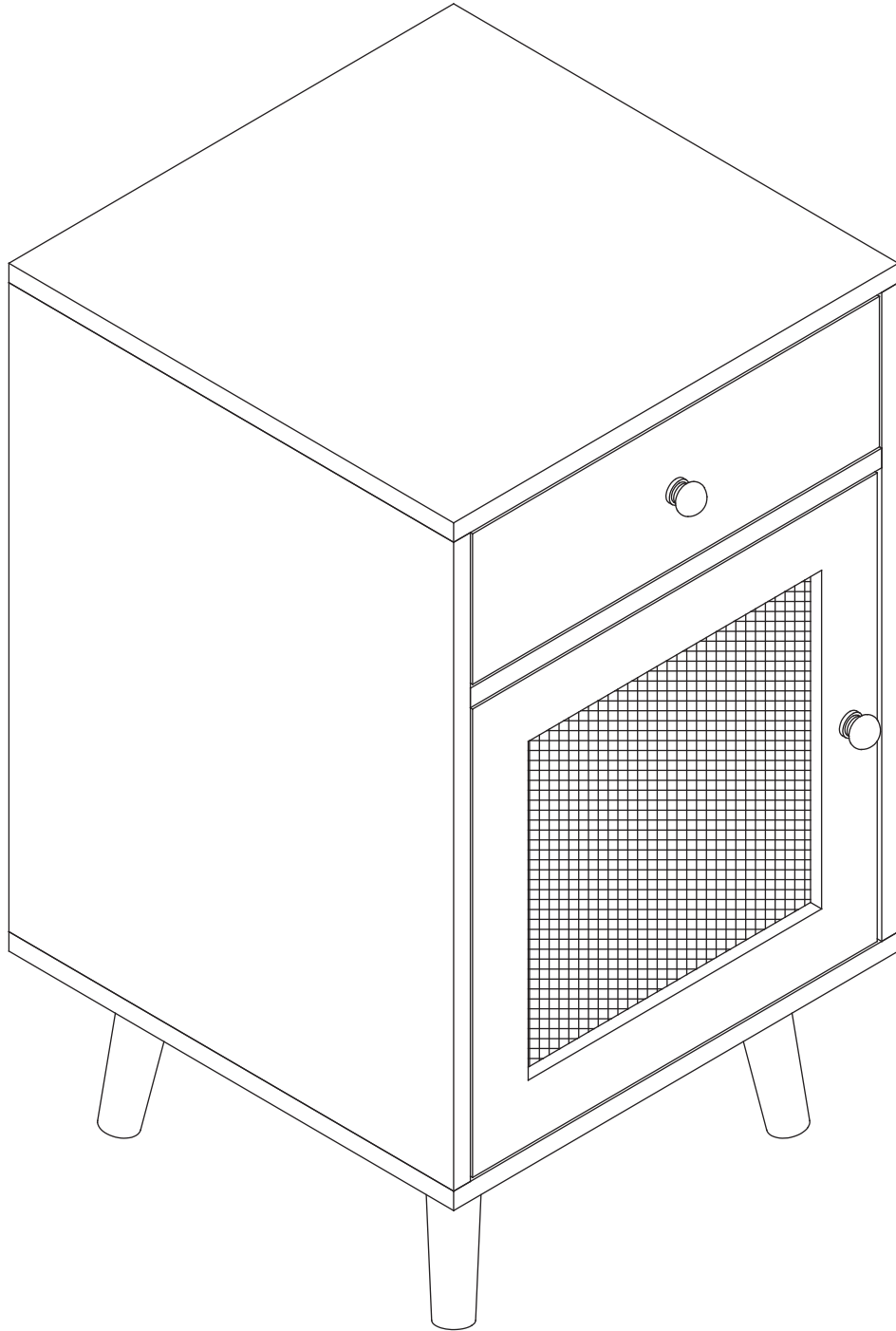
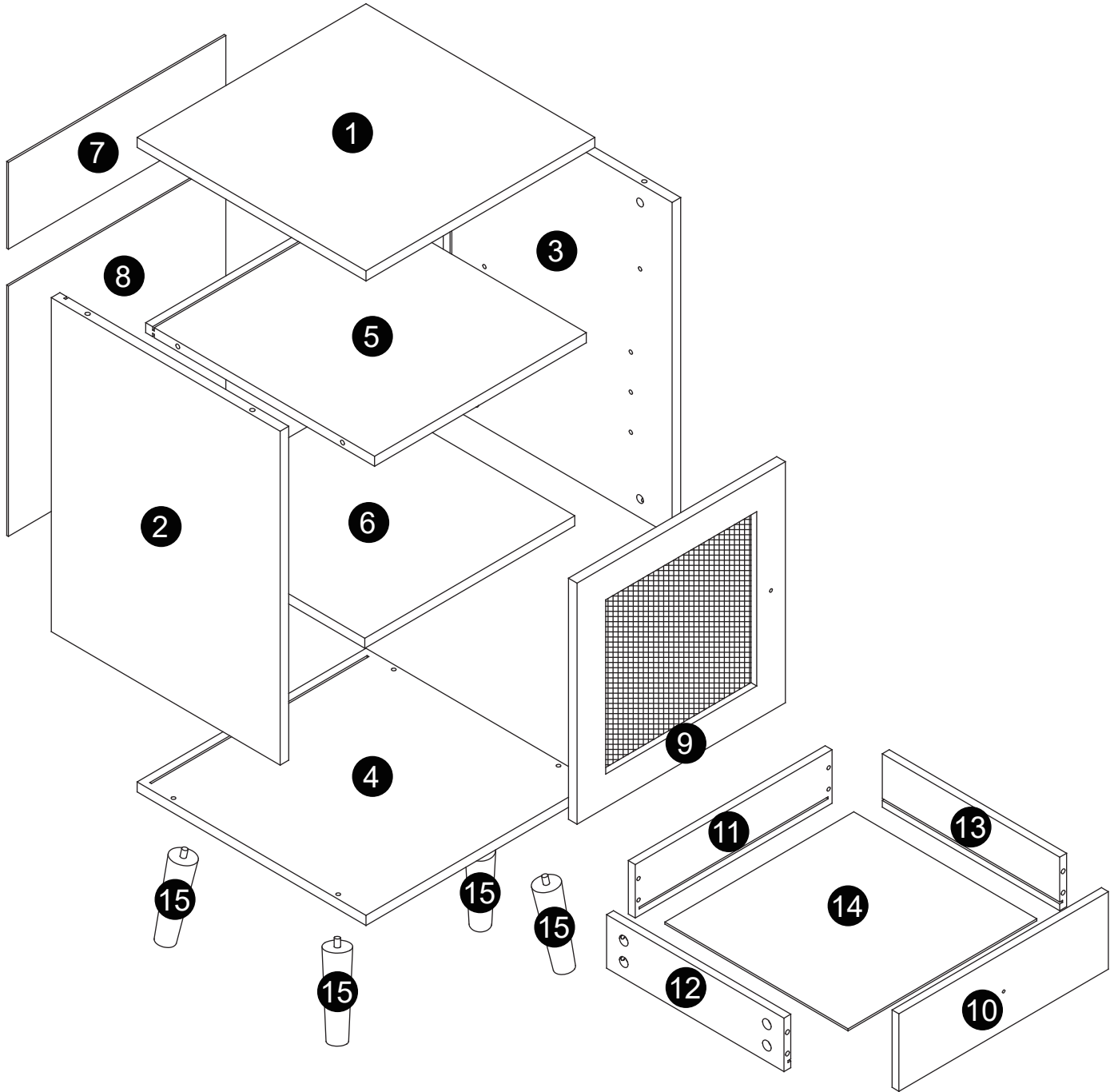




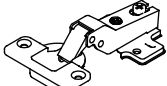
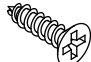

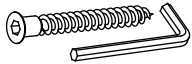



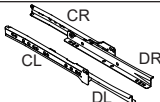
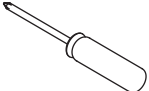
# ASSEMBLY INSTRUCTION



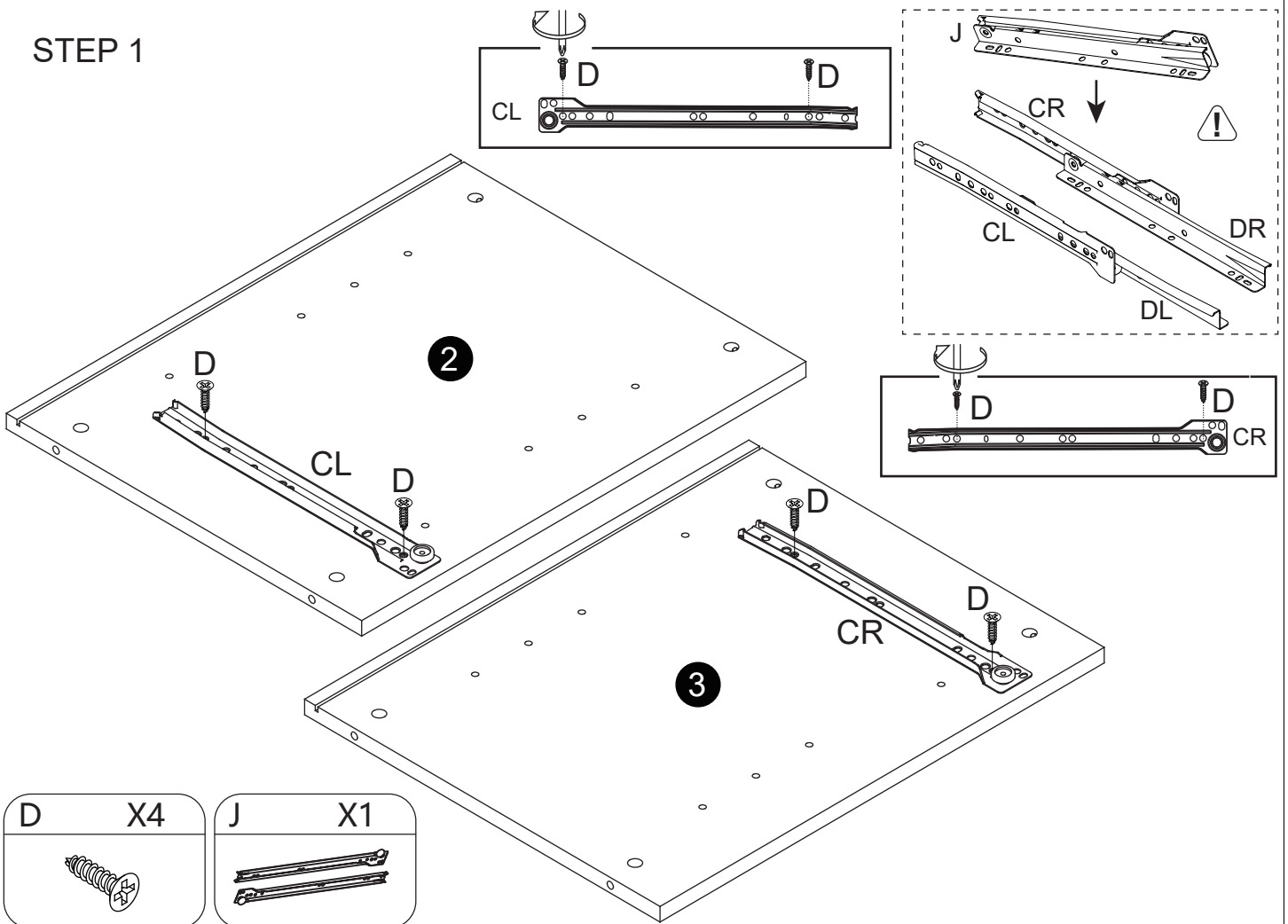
# PART LIST



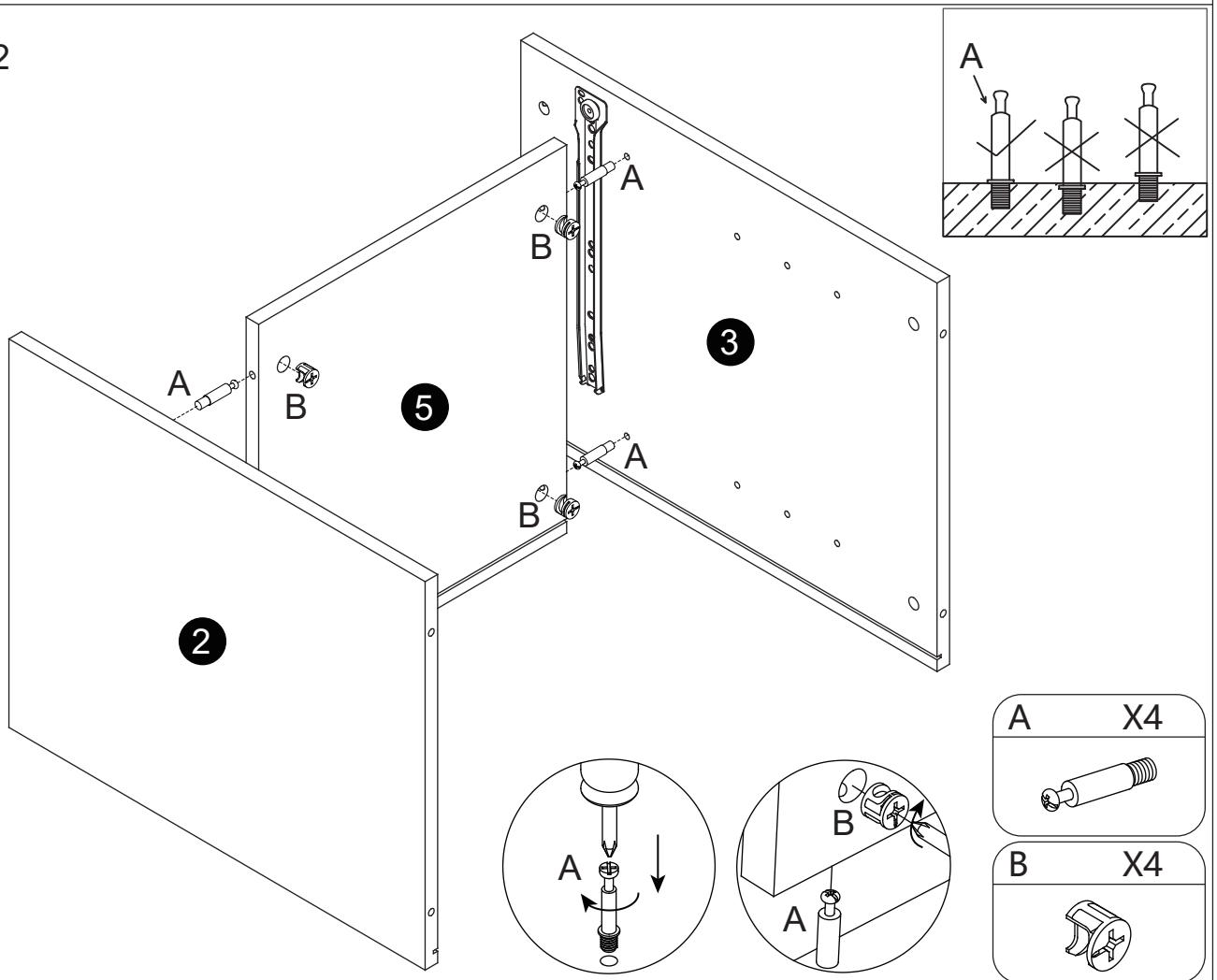
# HARDWARE LIST

<p><b>A</b> X16</p>  <p>M6*40mm</p>	<p><b>B</b> X16</p>  <p>15*11mm</p>	<p><b>C</b> X2</p> 	<p><b>D</b> X46</p>  <p>M3.5*12mm</p>	<p><b>E</b> X4</p>  <p>60*80mm</p>
<p><b>F</b> X4</p>  <p>M4*40mm</p>	<p><b>G</b> X2</p>  <p>M4*18mm</p>	<p><b>H</b> X6</p>  <p>10*10mm</p>	<p><b>I</b> X4</p> 	<p><b>J</b> X1</p>  <p>CR CL DR DL</p>
<p><b>K</b> X1</p> 				

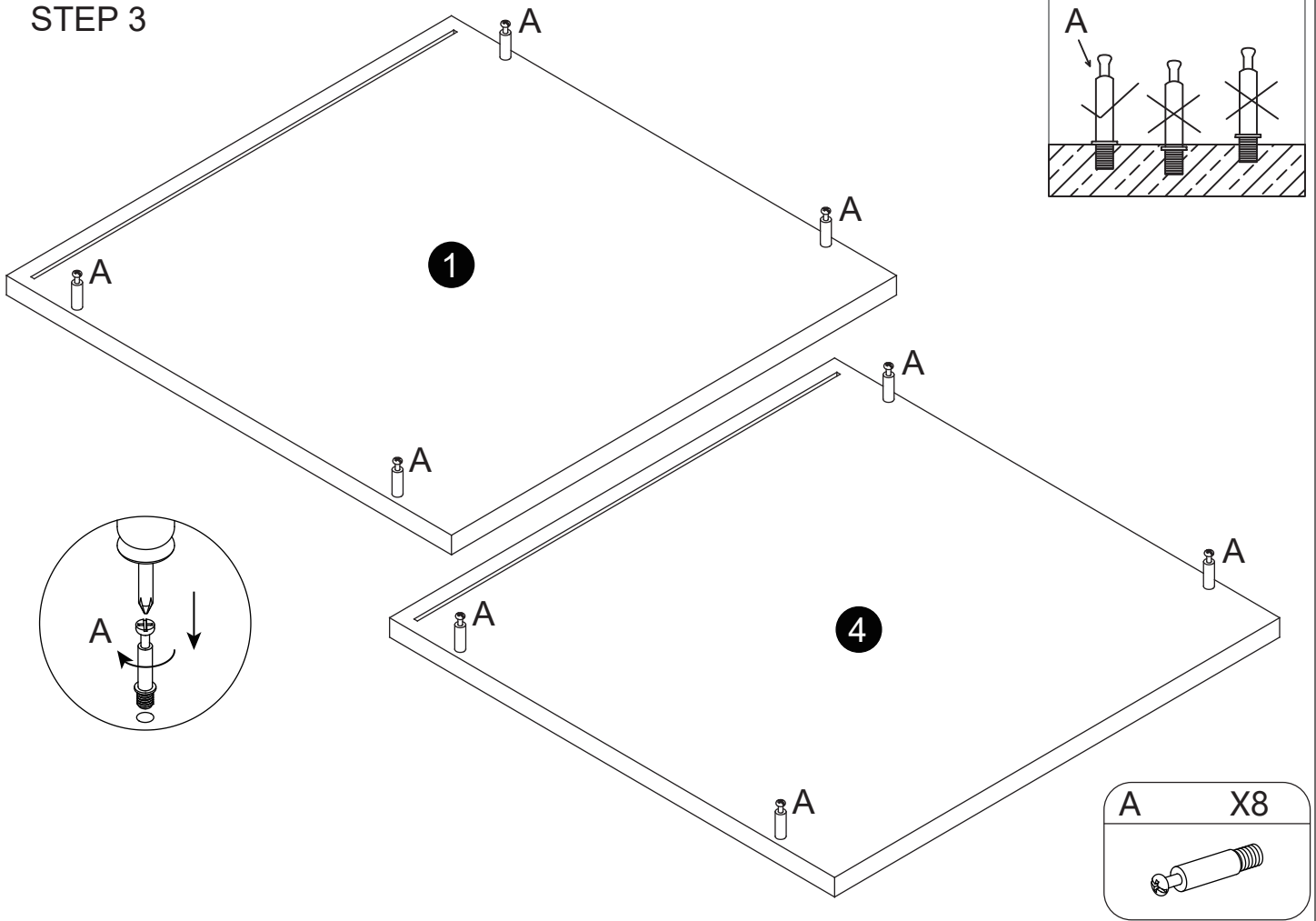
# STEP 1



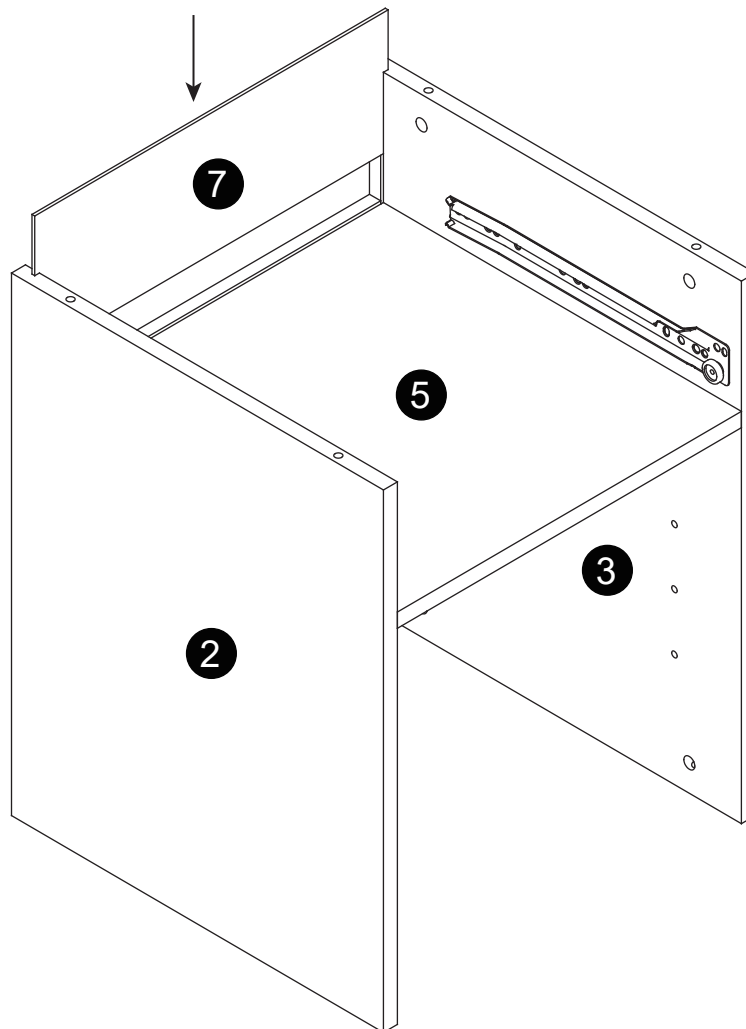
# STEP 2



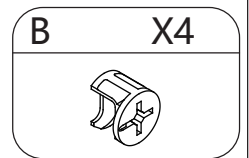
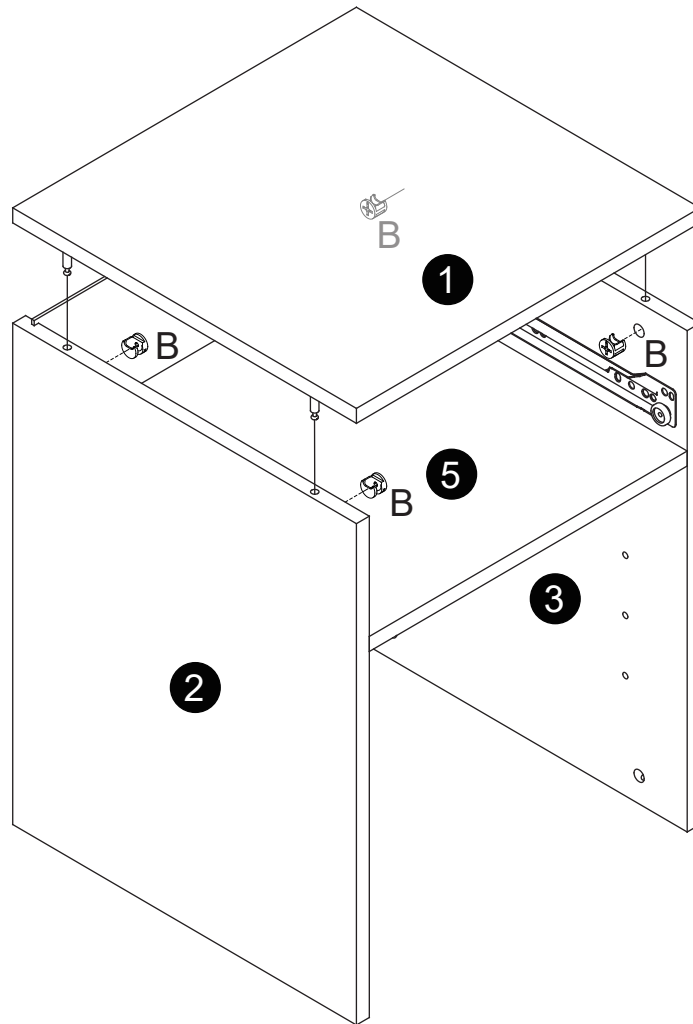
### STEP 3



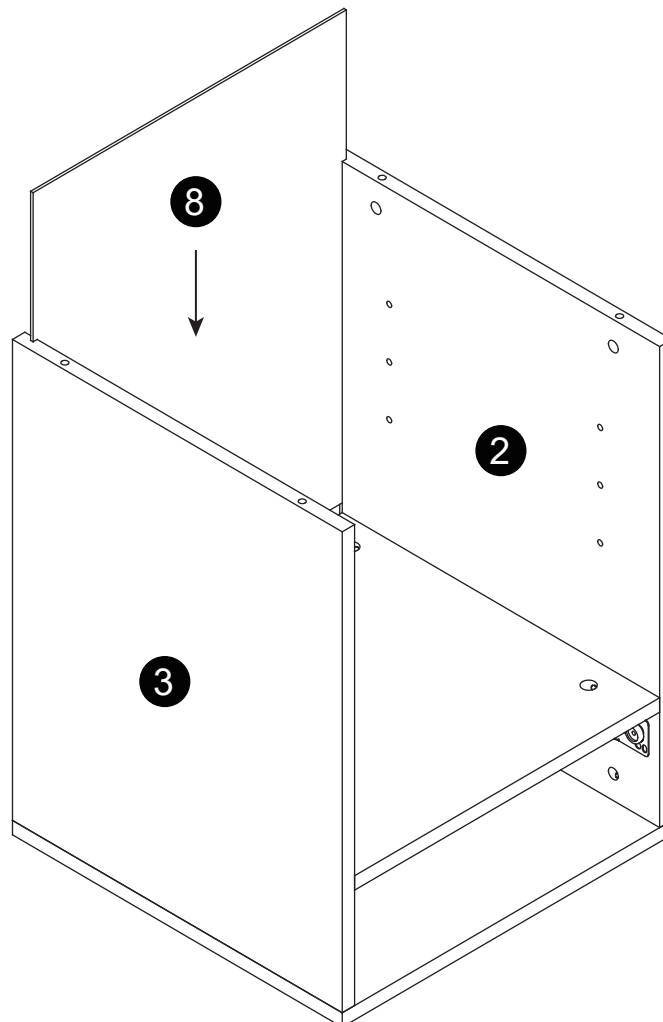
### STEP 4



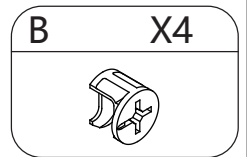
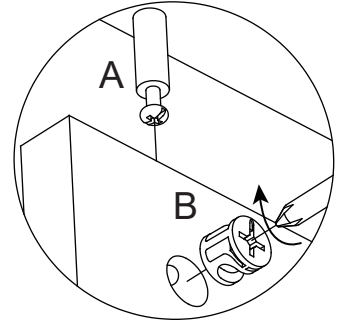
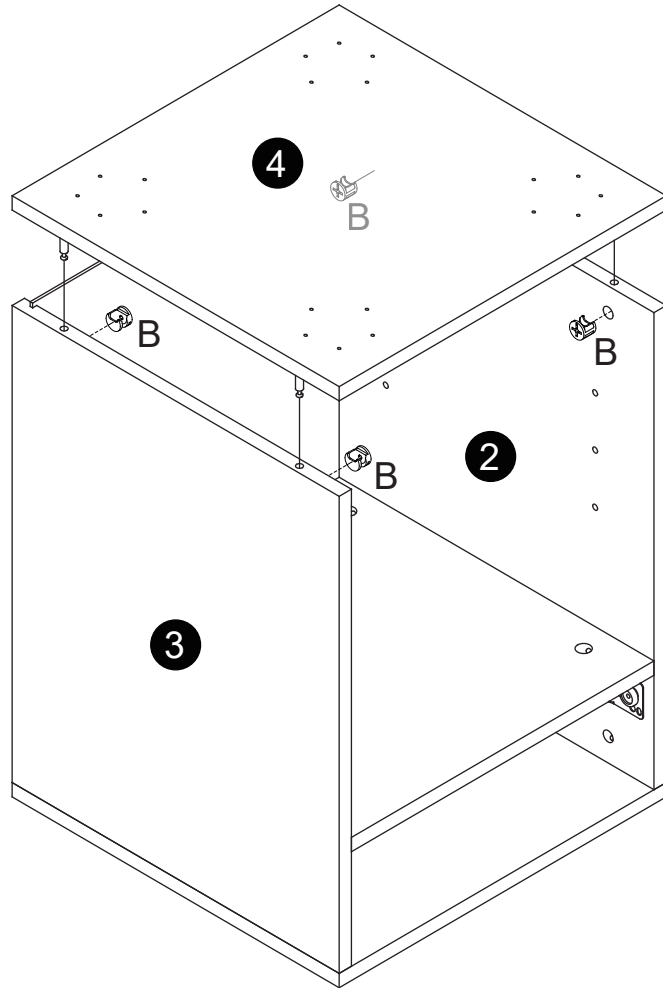
# STEP 5



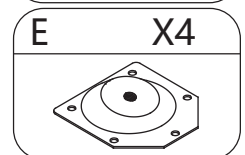
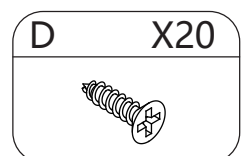
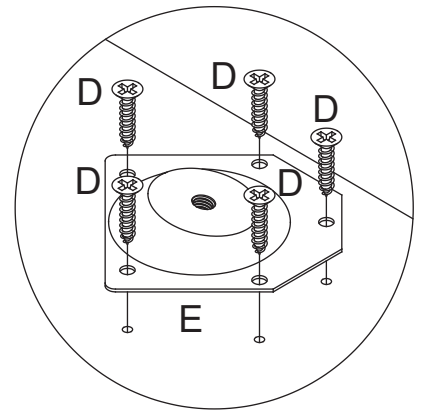
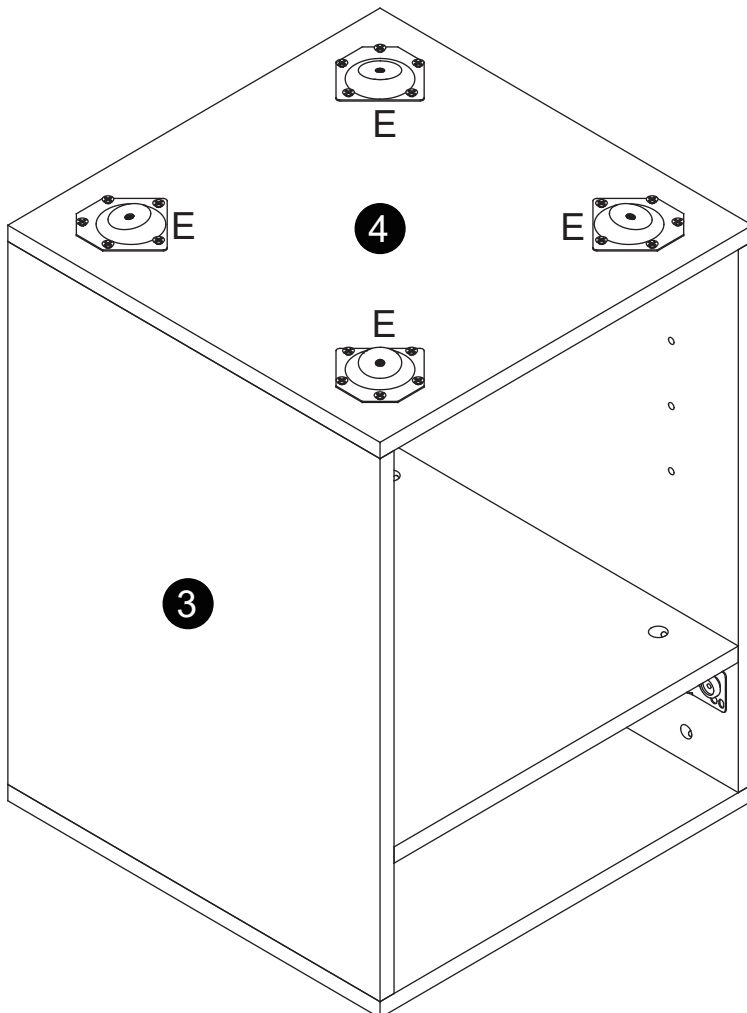
# STEP 6



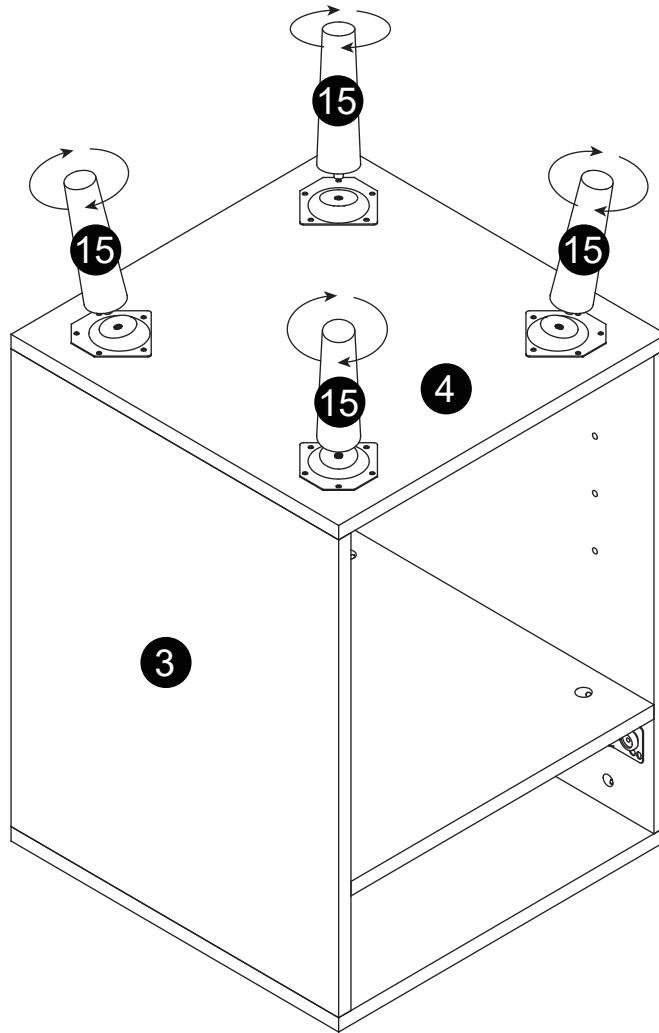
# STEP 7



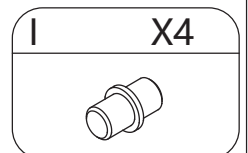
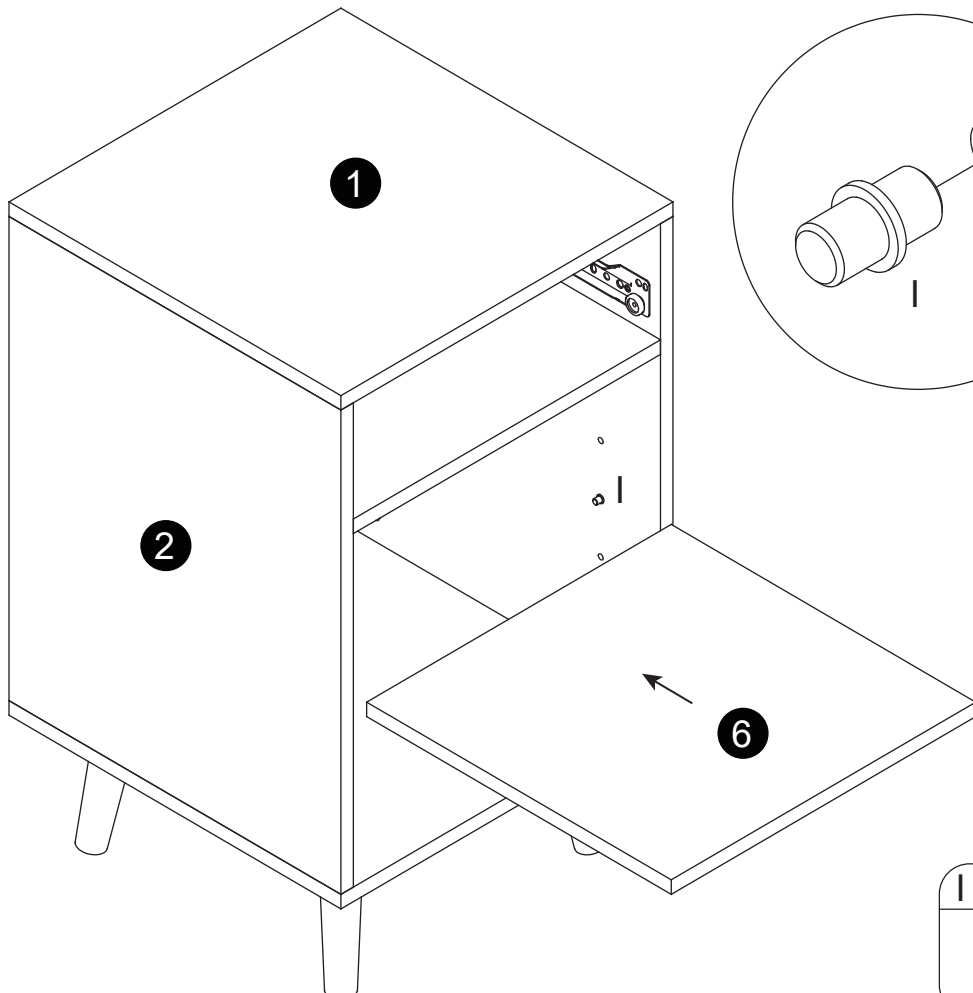
# STEP 8



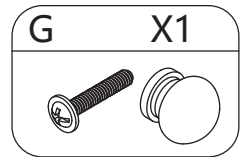
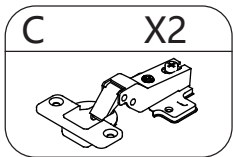
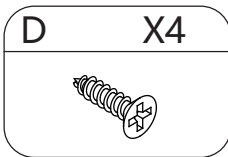
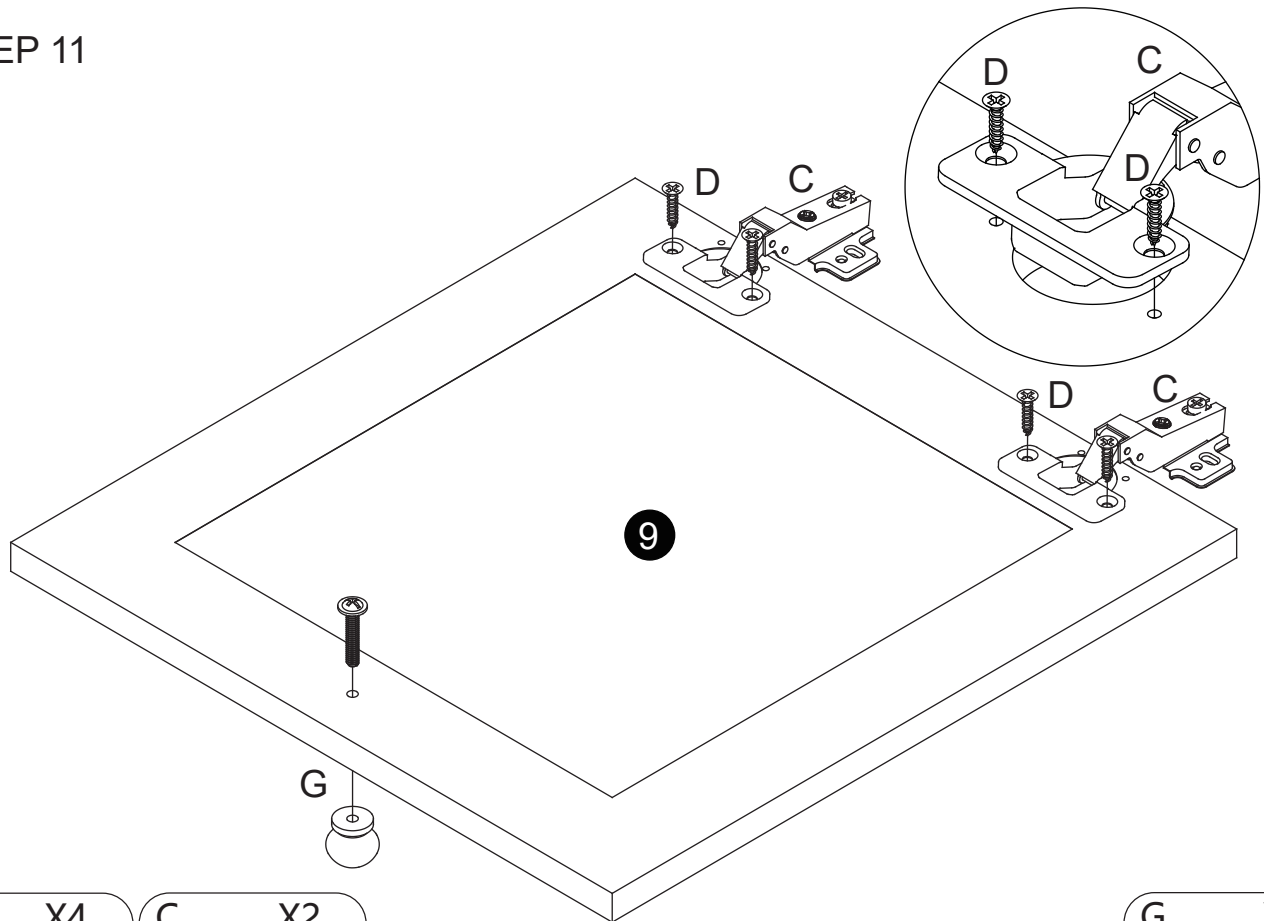
STEP 9



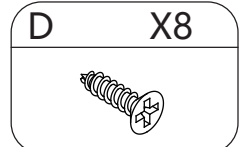
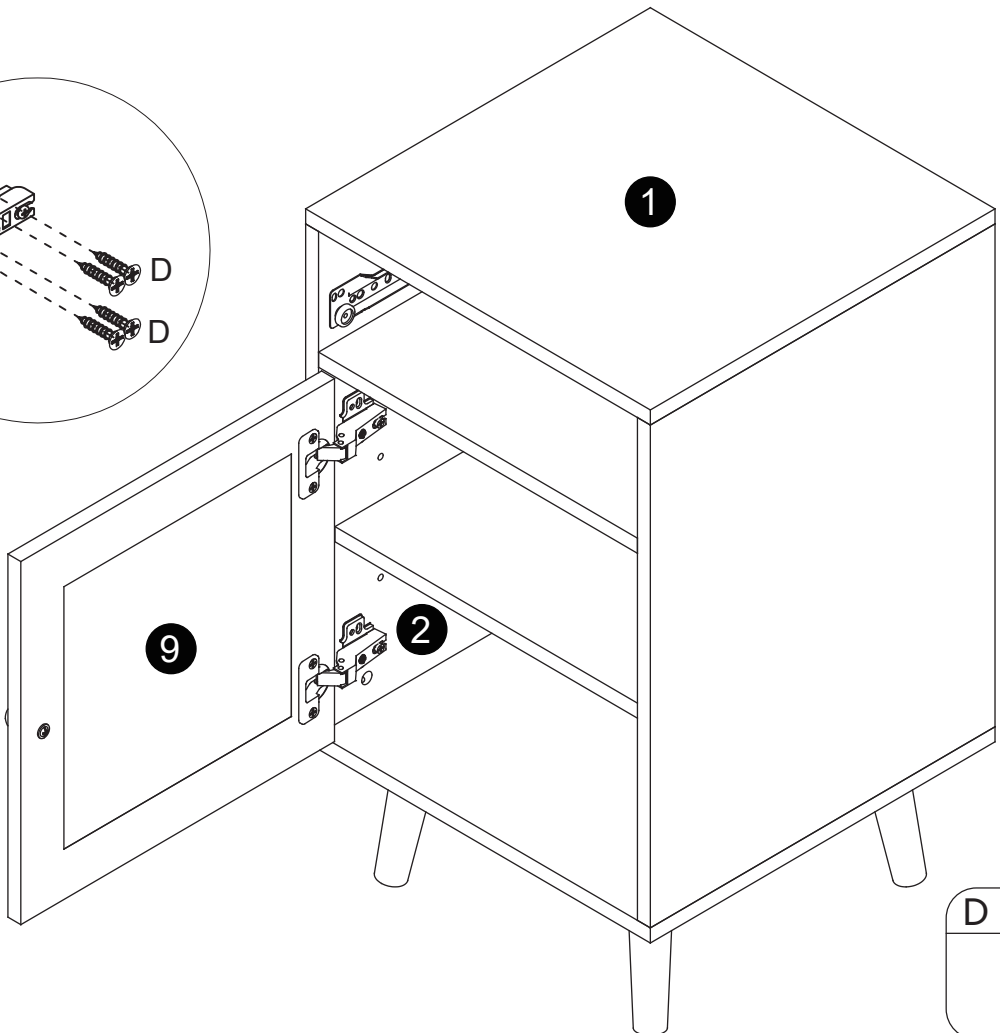
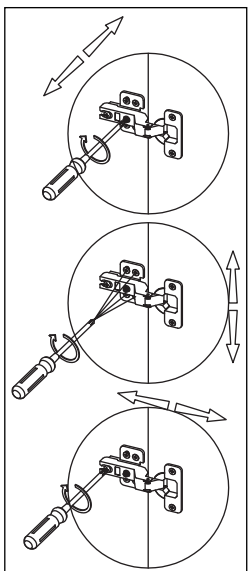
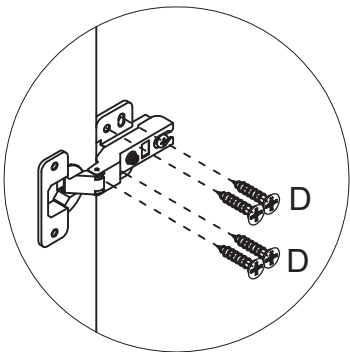
STEP 10



# STEP 11

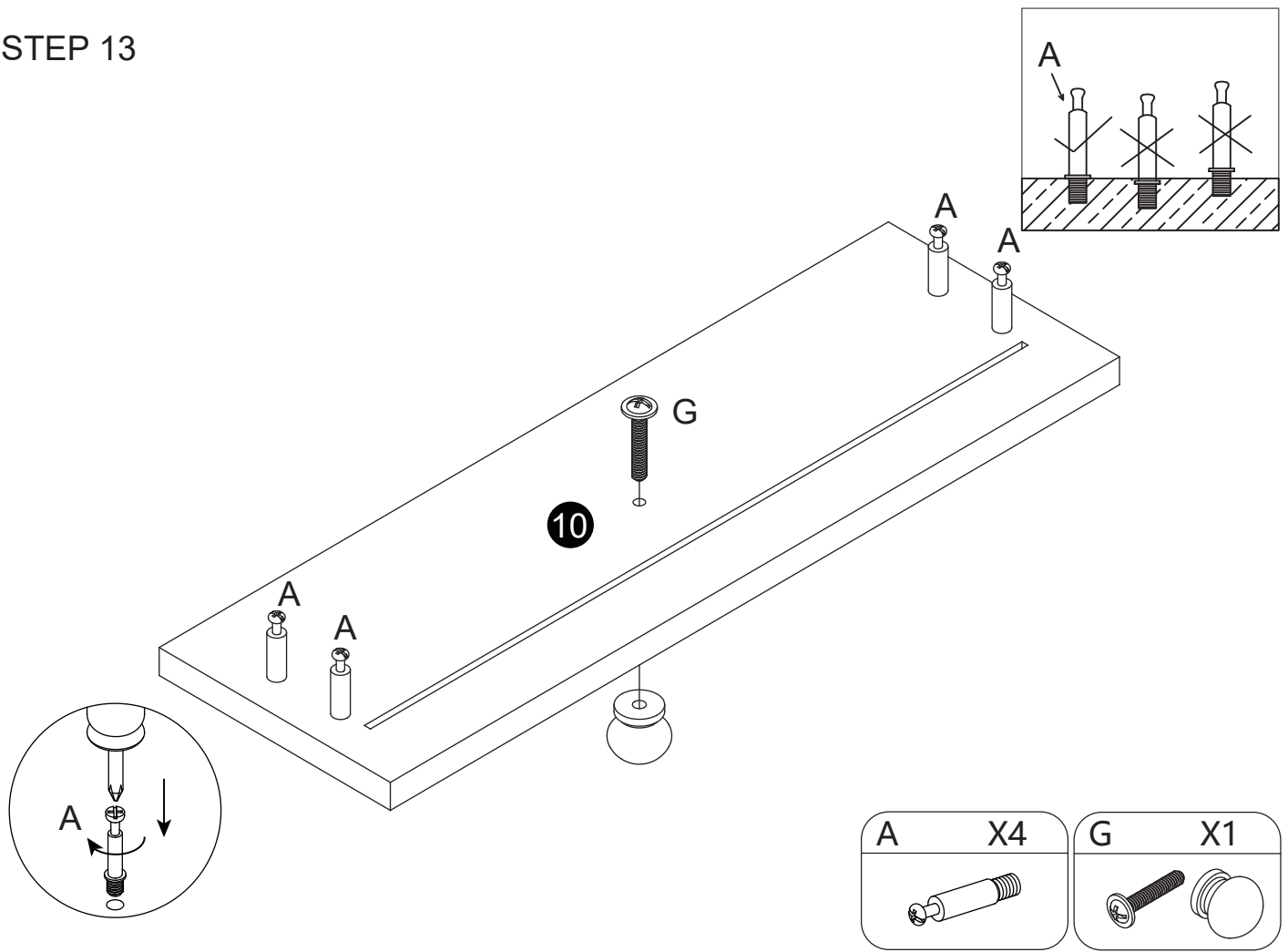


# STEP 12

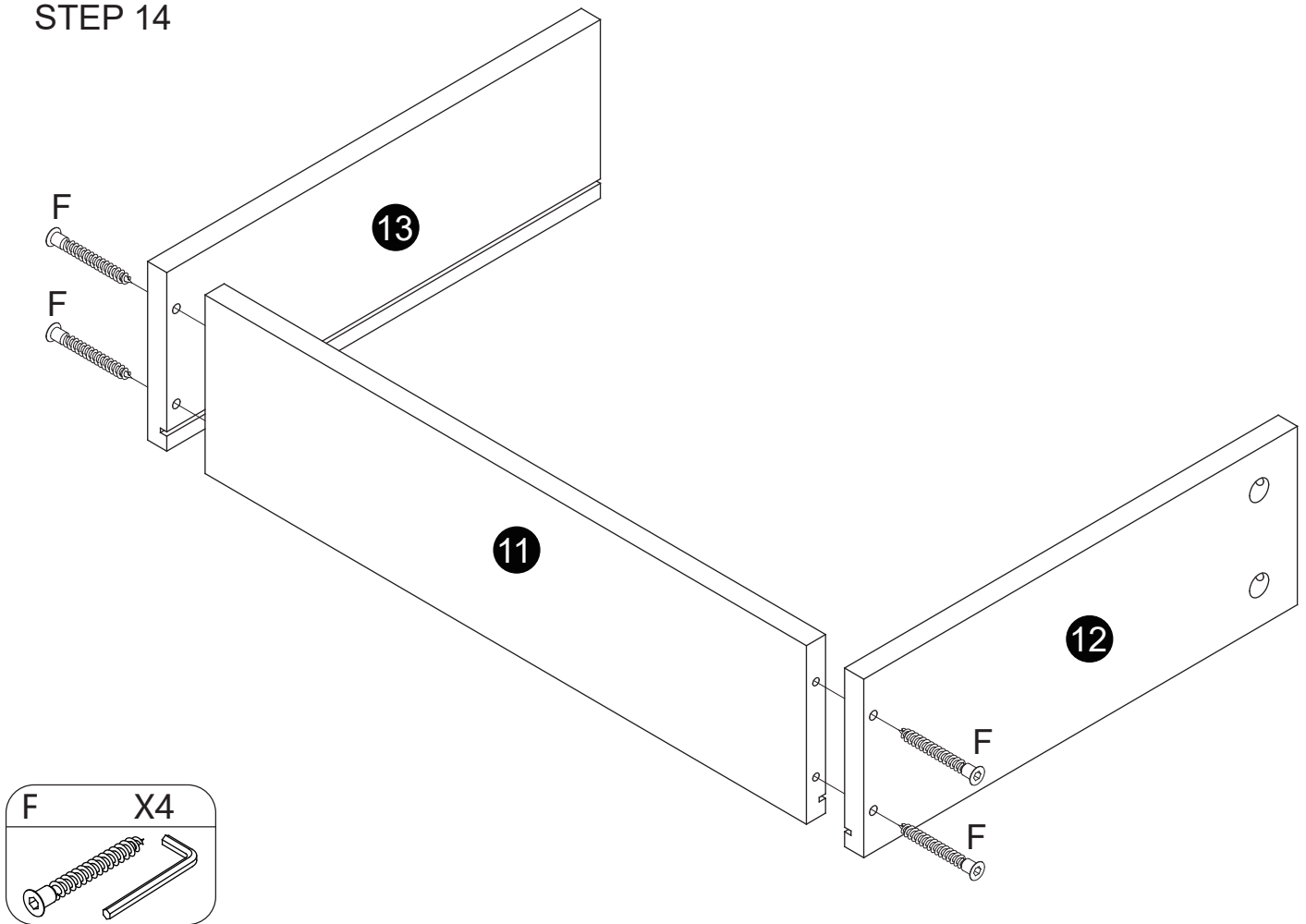




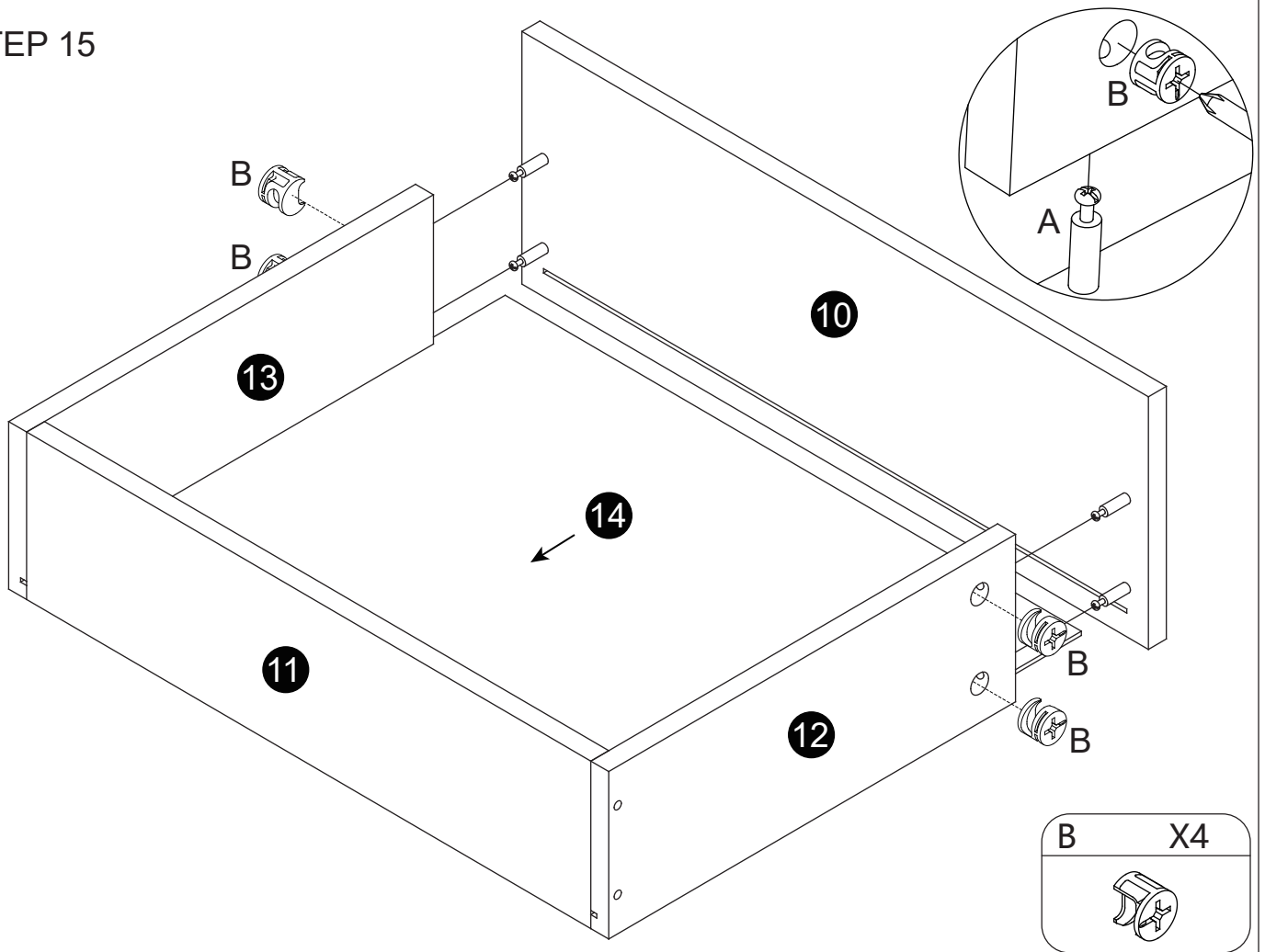
# STEP 13



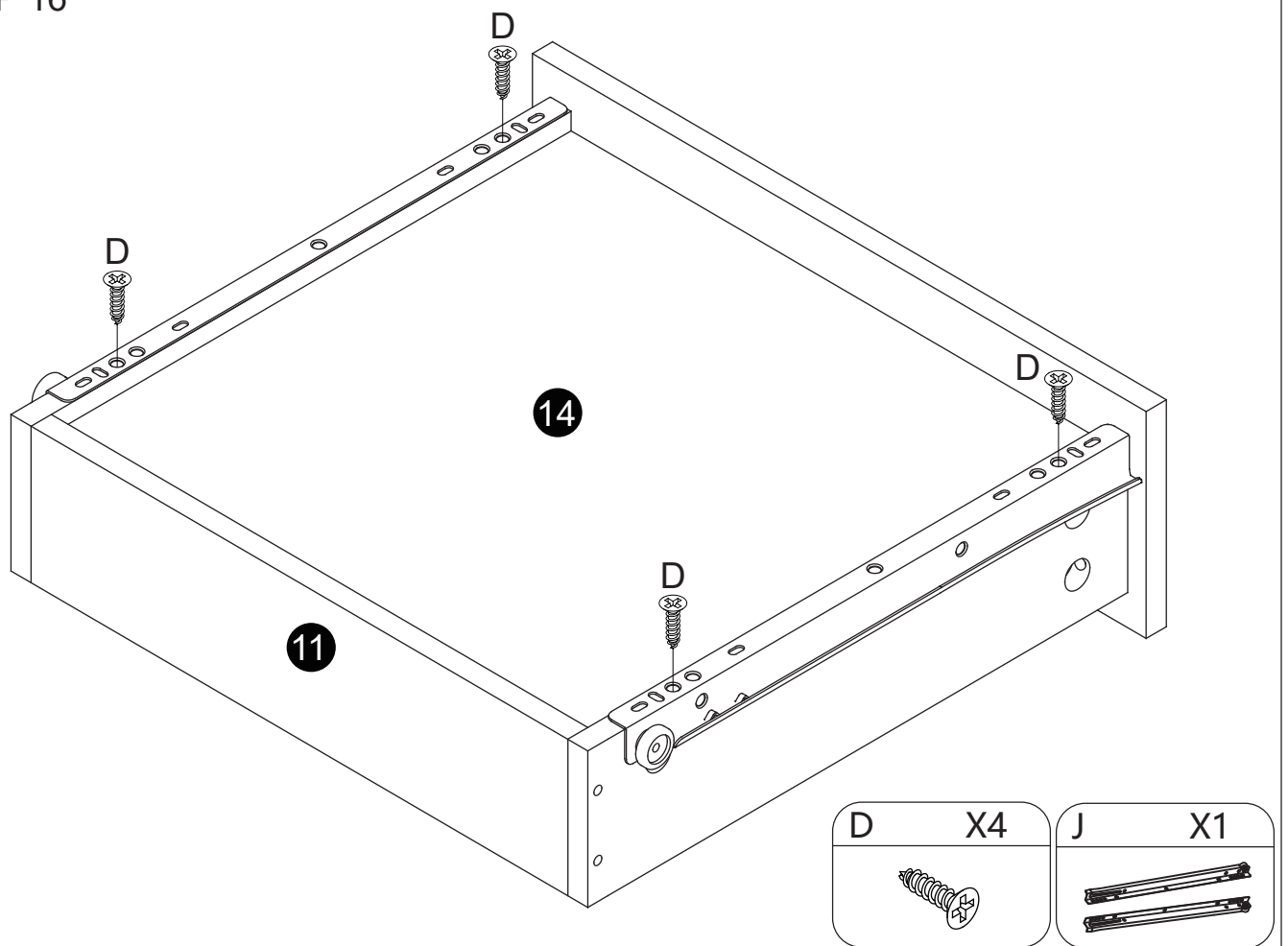
# STEP 14



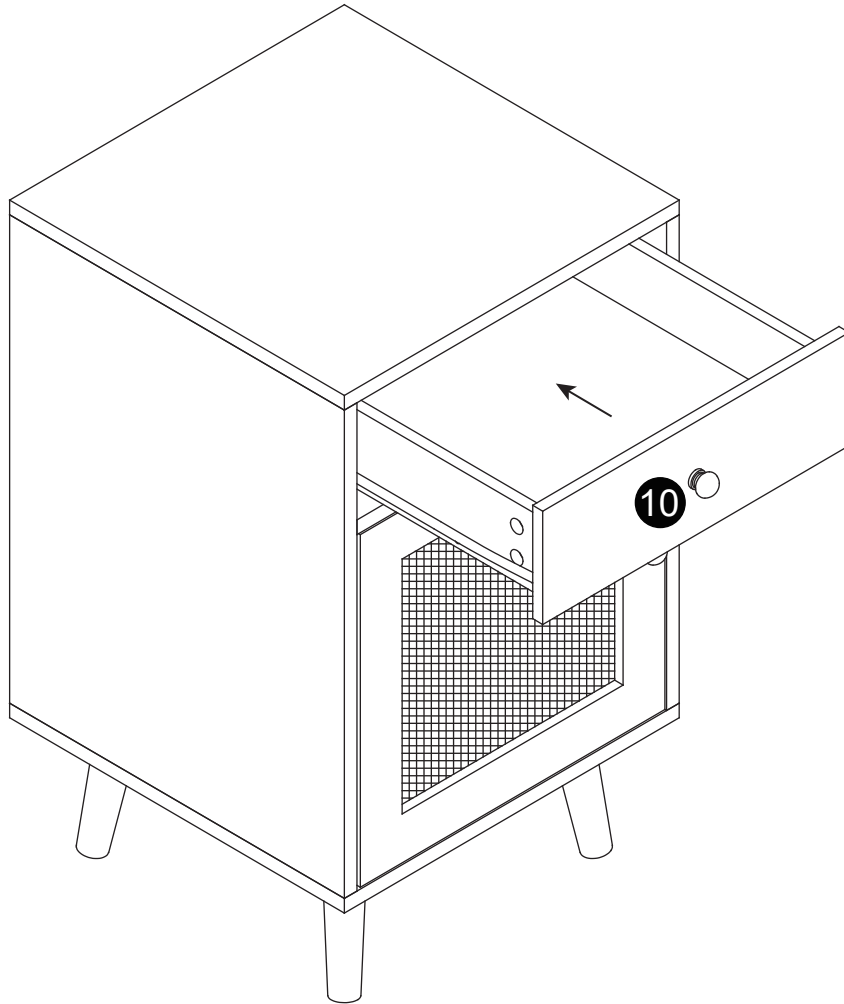
# STEP 15



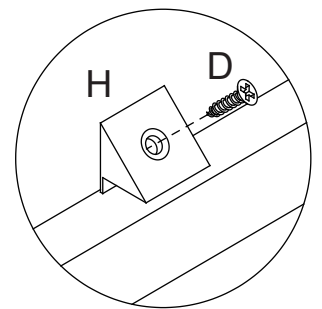
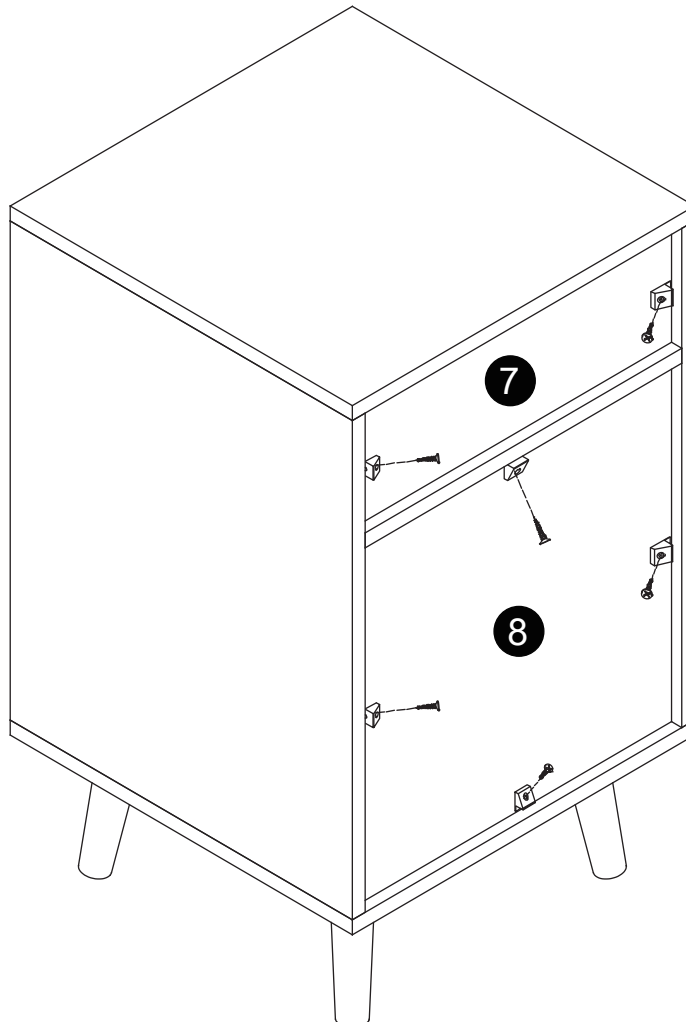
# STEP 16

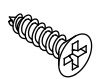


# STEP 17



# STEP 18



D	X6
	
H	X6
