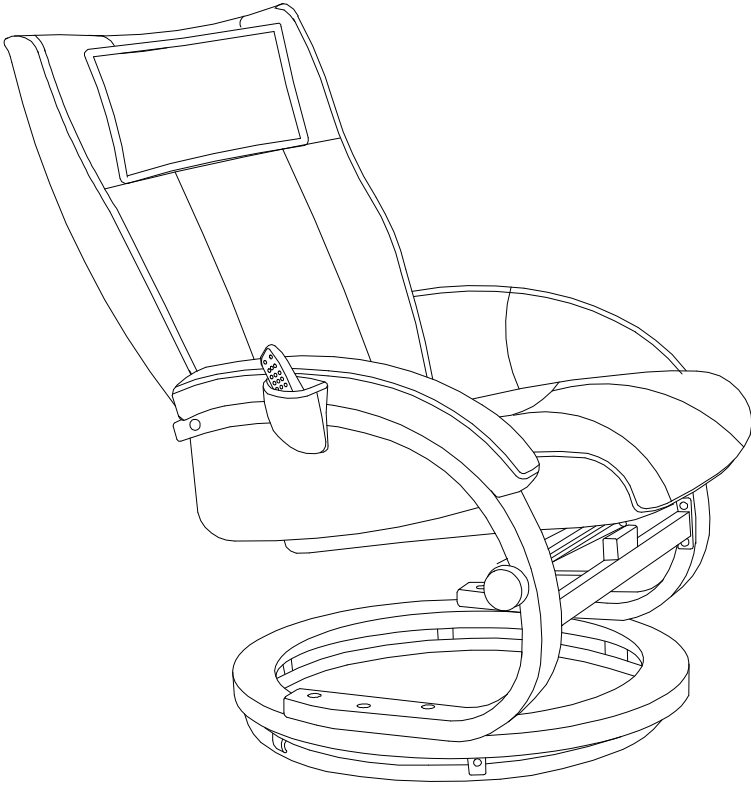
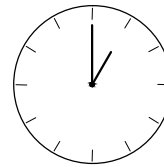
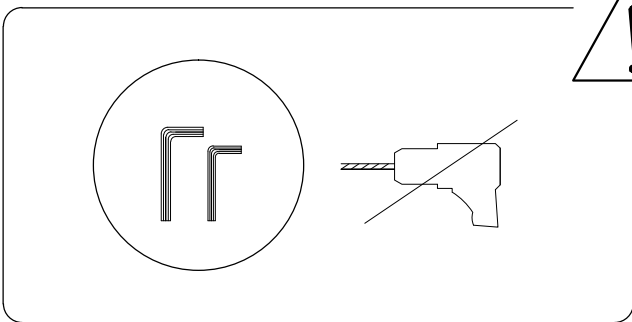
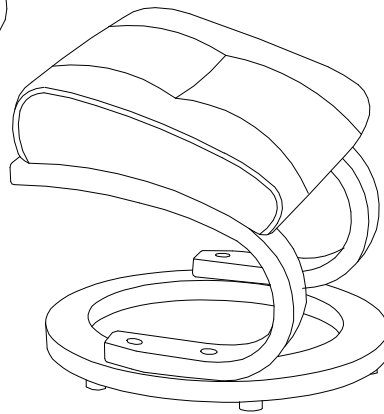


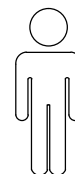
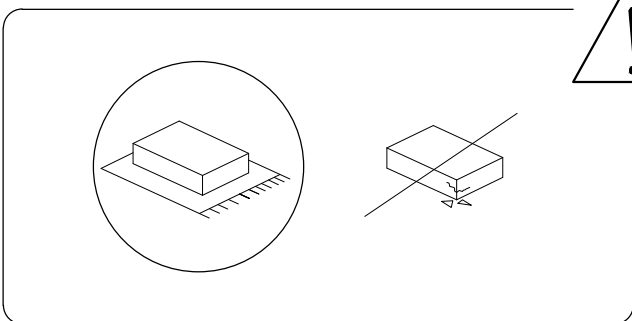
A



B

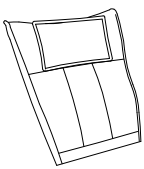
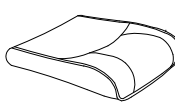
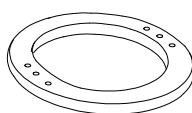
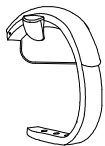

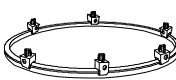


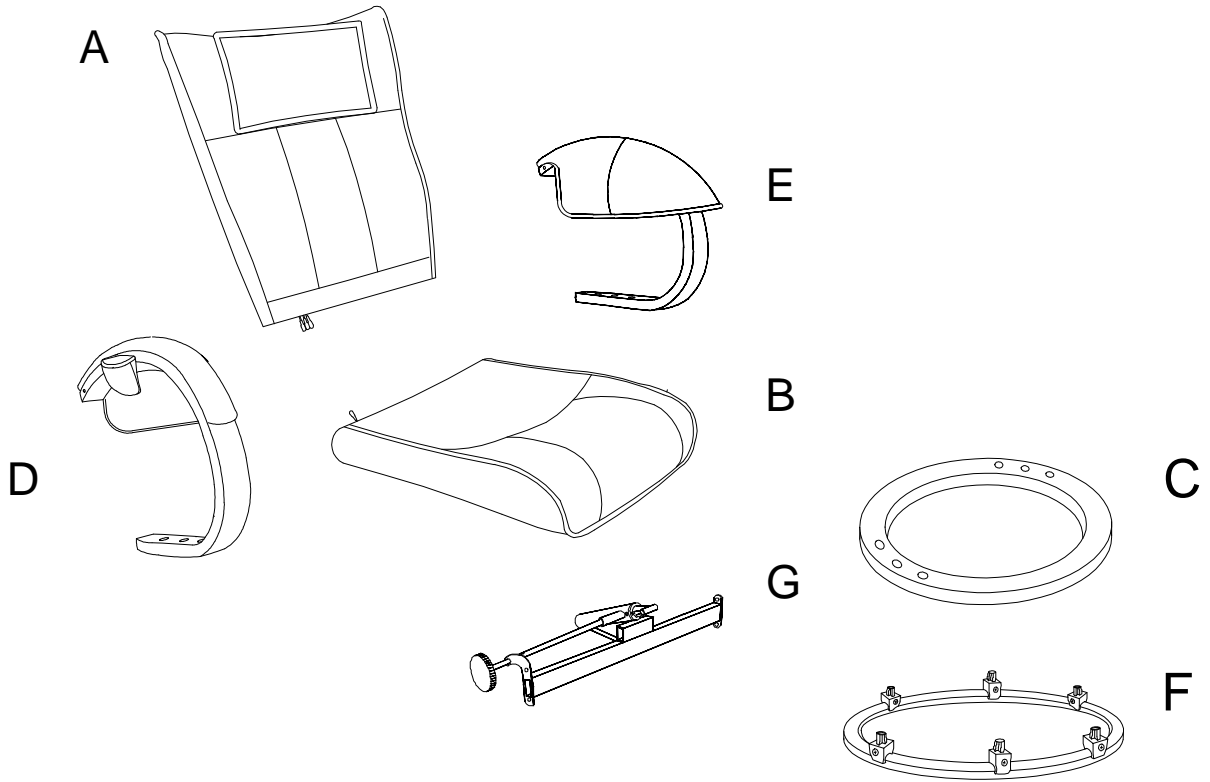
60

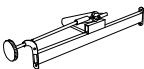




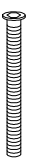



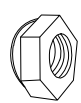

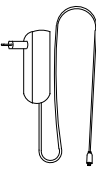


1

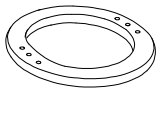


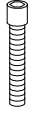

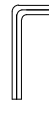
A

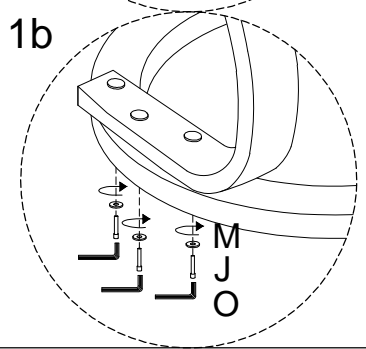
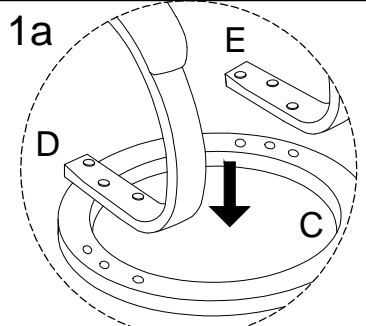
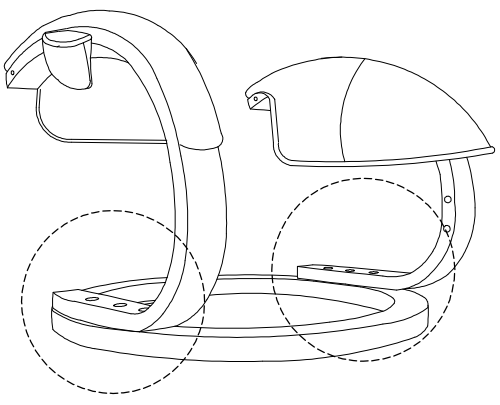
<p>A</p>  <p>x 1</p>	<p>B</p>  <p>x 1</p>	<p>C</p>  <p>x 1</p>	<p>D</p>  <p>x 1</p>	<p>E</p>  <p>x 1</p>	<p>F</p>  <p>x 1</p>
---------------------------------------------------------------------------------------------------------------------	---------------------------------------------------------------------------------------------------------------------	---------------------------------------------------------------------------------------------------------------------	---------------------------------------------------------------------------------------------------------------------	-----------------------------------------------------------------------------------------------------------------------	-----------------------------------------------------------------------------------------------------------------------



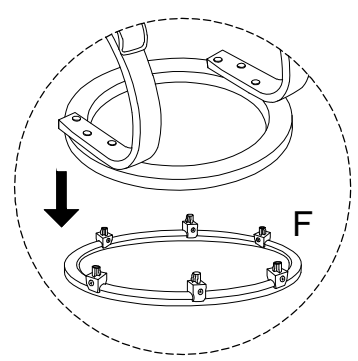
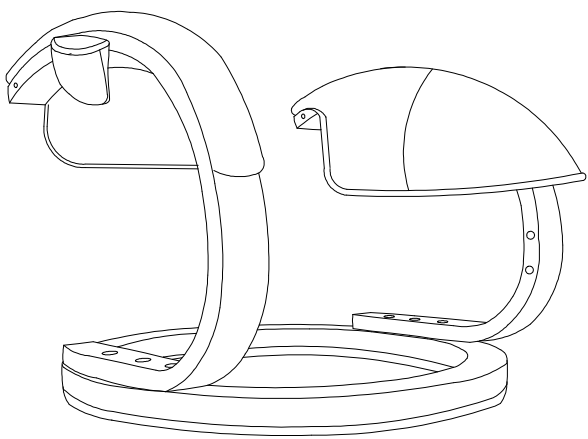
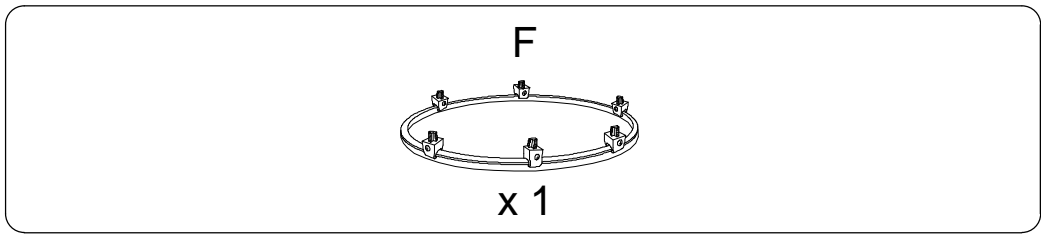
<p>G</p>  <p>x 1</p>	<p>H</p> <p>M8 x 75</p>  <p>x 2</p>	<p>I</p> <p>M8 x 60</p>  <p>x 1</p>	<p>J</p> <p>M8 x 40</p>  <p>x 6</p>	<p>K</p> <p>M8 x 30</p>  <p>x 2</p>	<p>L</p> <p>M6 x 45</p>  <p>x 4</p>
<p>M</p>  <p>x 6</p>	<p>N</p> <p>M6</p>  <p>x 1</p>	<p>O</p> <p>M8</p>  <p>x 1</p>	<p>P</p> <p>M8</p>  <p>x 3</p>	<p>R</p>  <p>x 1</p>	<p>S</p>  <p>x 1</p>

1

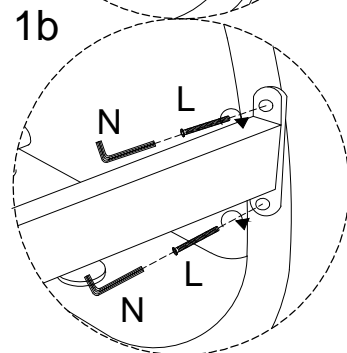
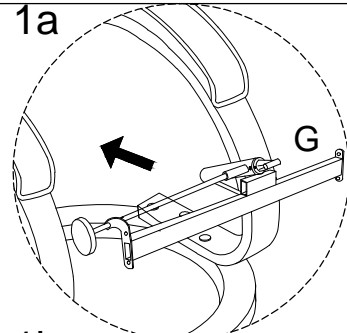
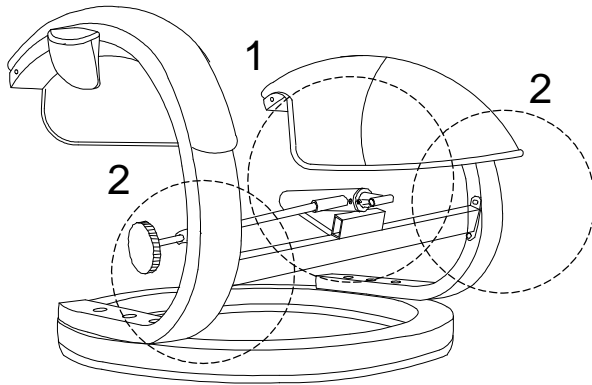
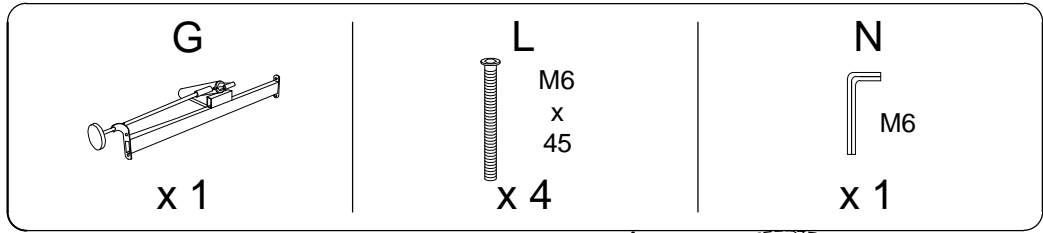
C  x 1	D  x 1	E  x 1	J  M8 x 40 x 6	M  x 6	O  M8 x 1
------------------------------------------------------------------------------------------------------	------------------------------------------------------------------------------------------------------	------------------------------------------------------------------------------------------------------	-----------------------------------------------------------------------------------------------------------------	--------------------------------------------------------------------------------------------------------	-----------------------------------------------------------------------------------------------------------



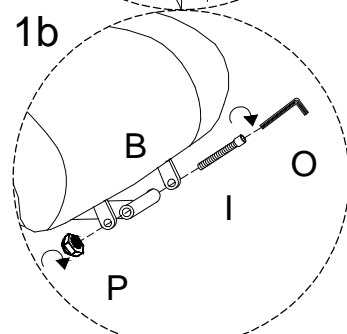
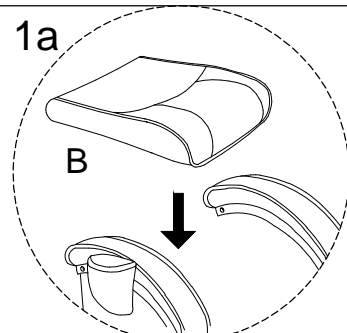
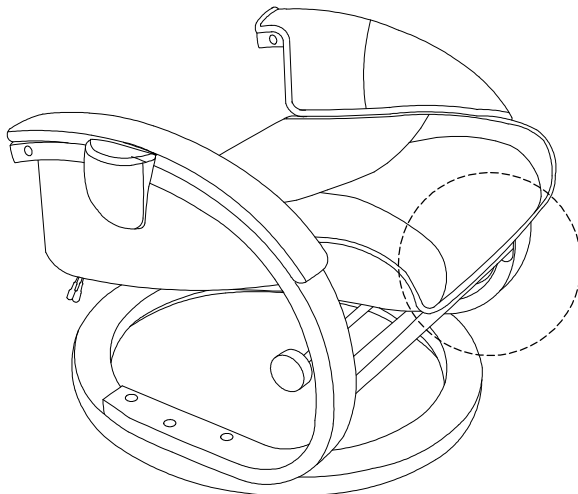
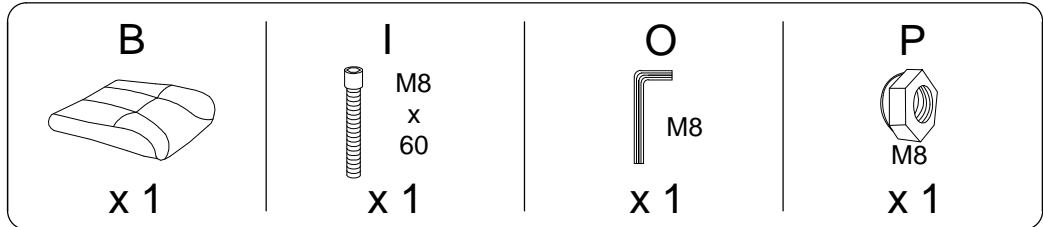
2



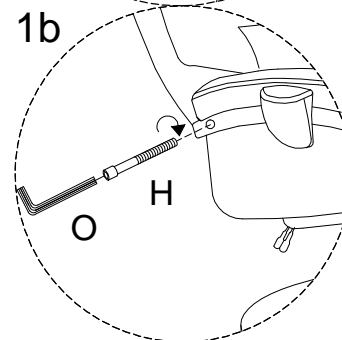
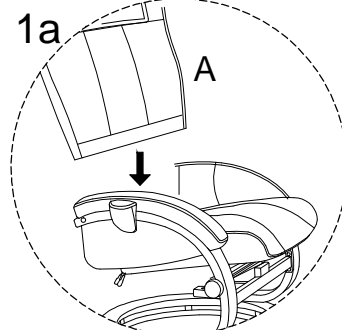
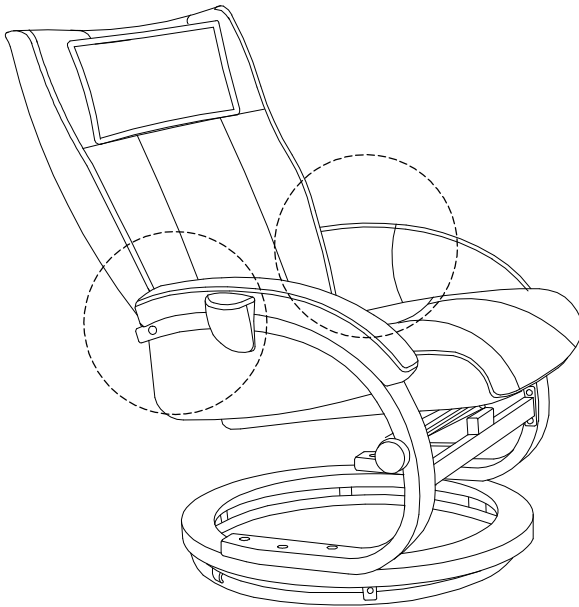
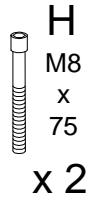
3



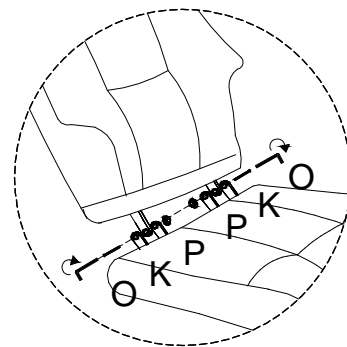
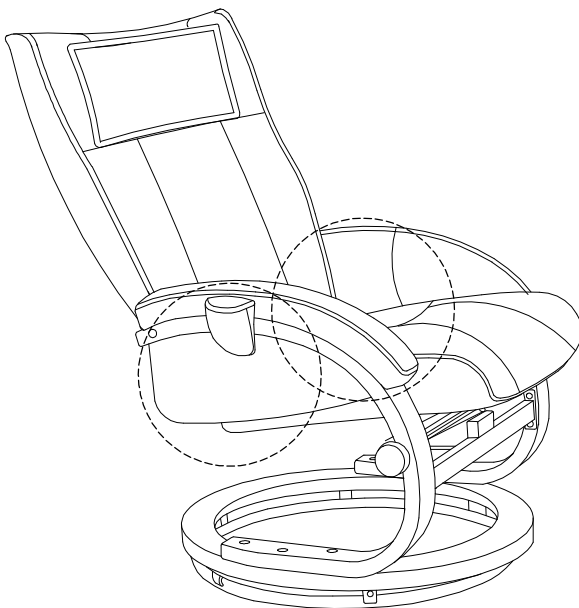
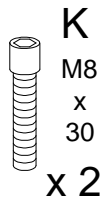
4



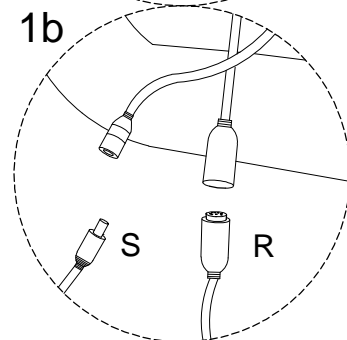
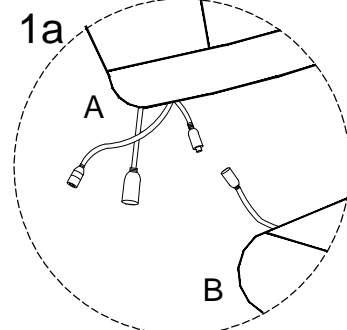
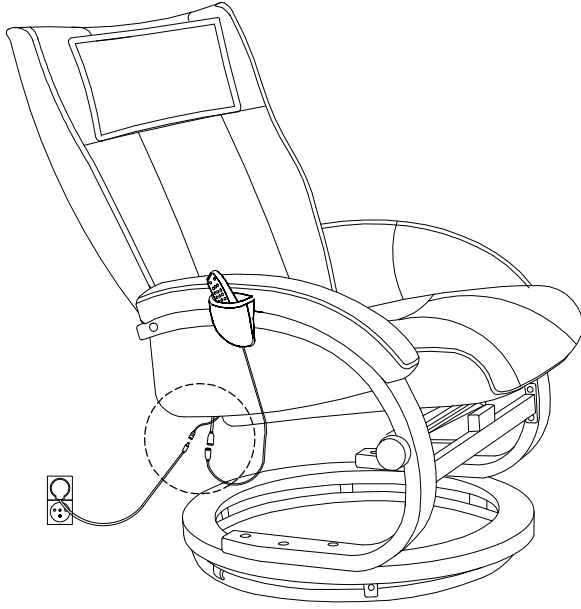
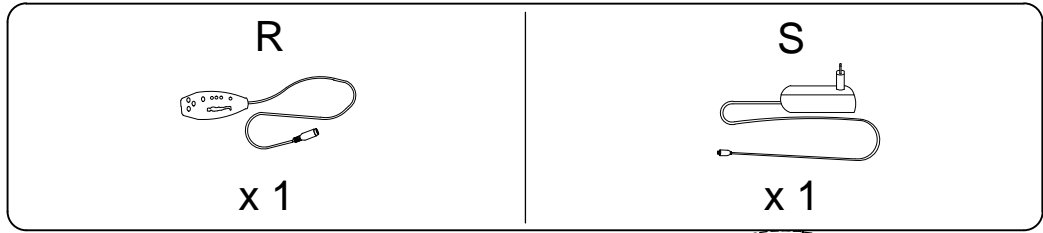
5



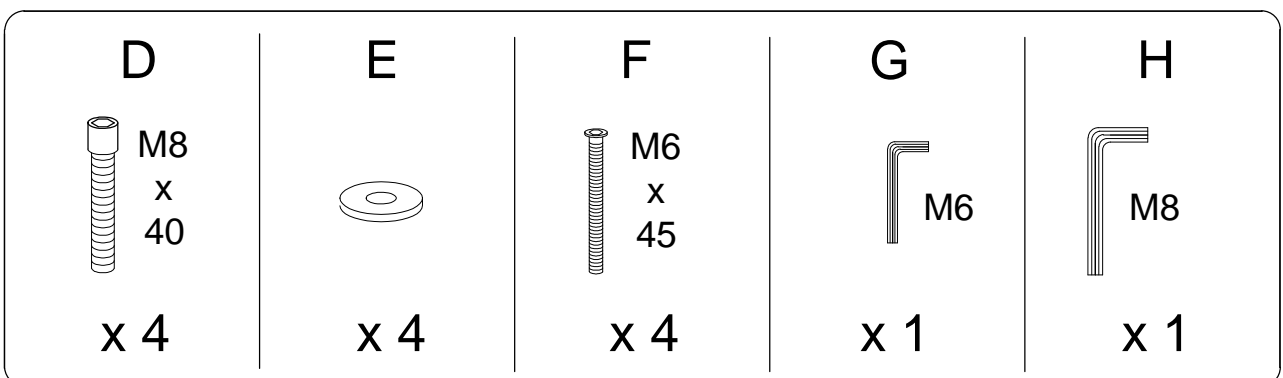
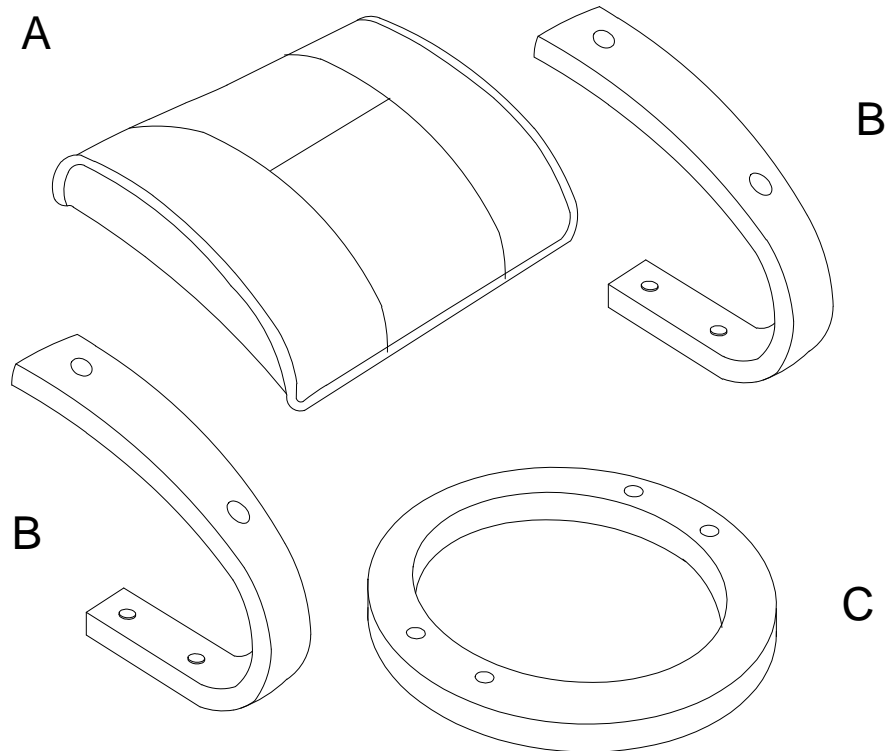
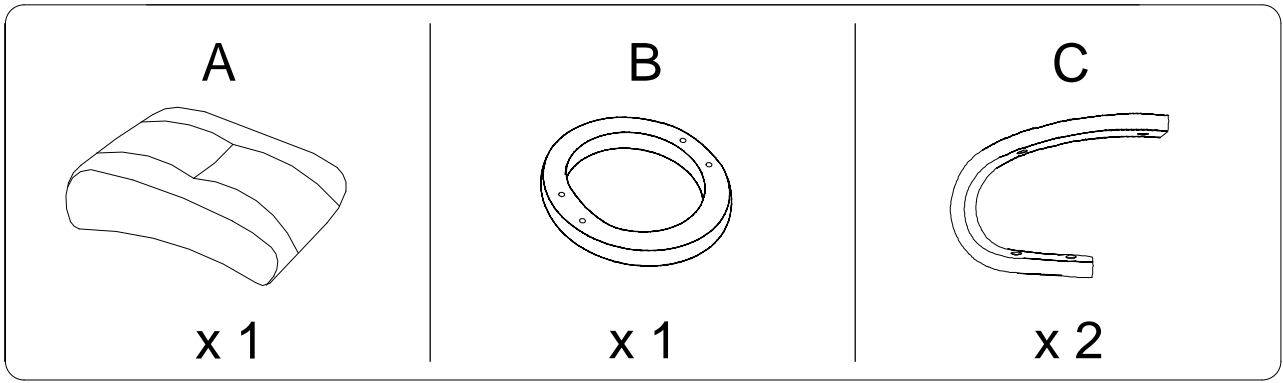
6



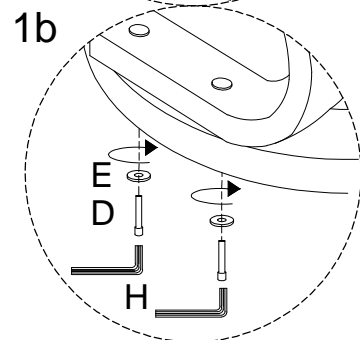
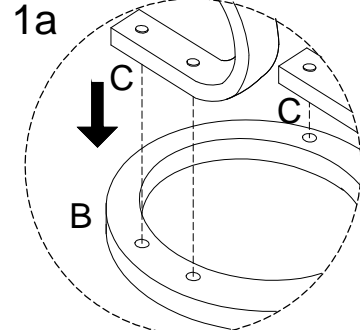
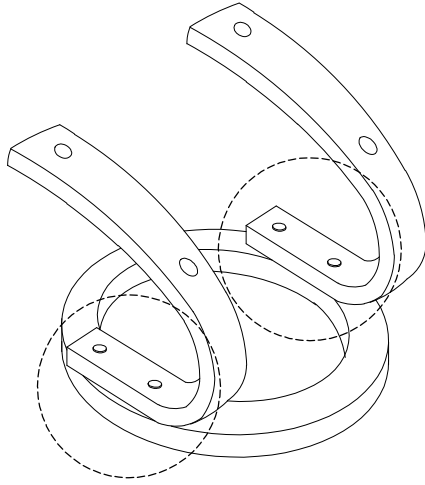
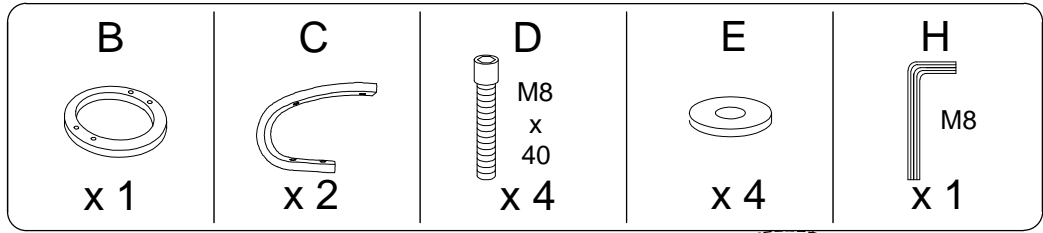
7



B



1



2

