

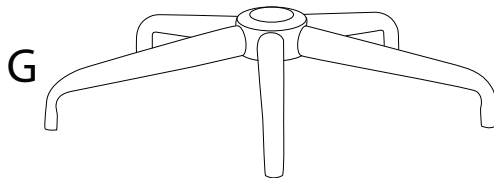
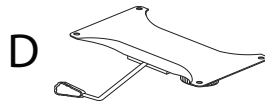
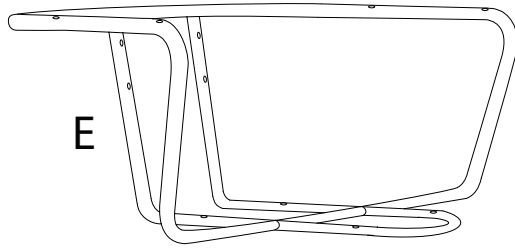
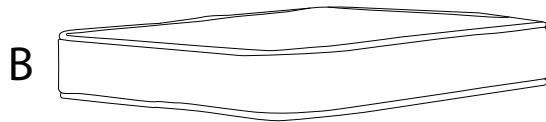
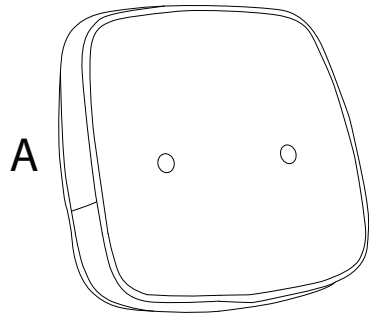
PAWNEE





Diagram illustrating assembly warnings:

- Warning 1:** Do not use a power drill to tighten the L-shaped bracket. (Icon: L-shaped bracket, crossed-out power drill, warning triangle)
- Warning 2:** Do not use a power drill to tighten the rectangular plate. (Icon: Rectangular plate, crossed-out power drill, warning triangle)
- Time:** 30' (Icon: Clock)
- Personnel:** 1 (Icon: Person)



A



x 1

B



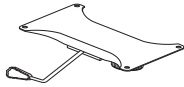
x 1

C



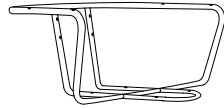
x 2

D



x 1

E



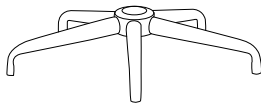
x 1

F



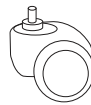
x 1

G



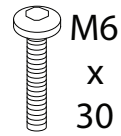
x 1

H



x 5

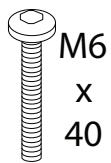
I



M6
x
30

x 4

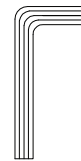
J



M6
x
40

x 8

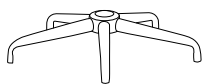
K



x 1

1

G

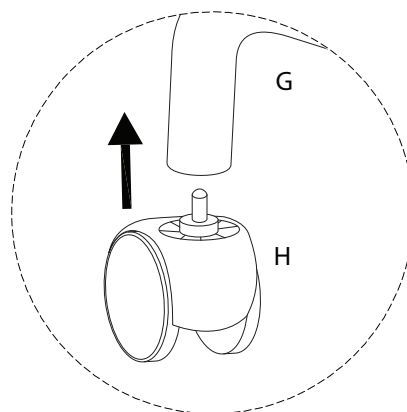
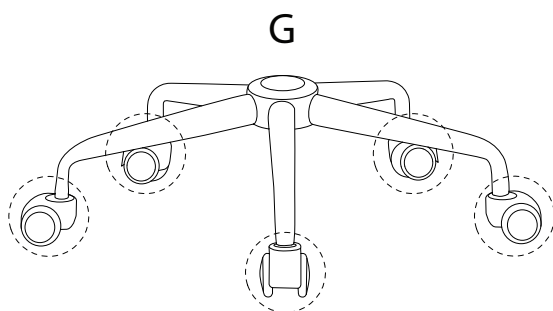


x 1

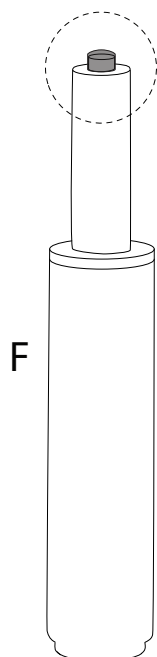
H



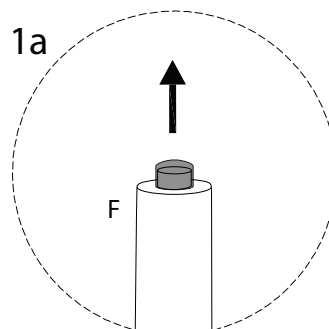
x 5



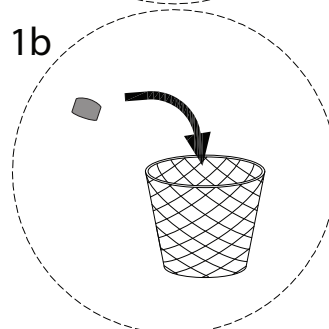
!



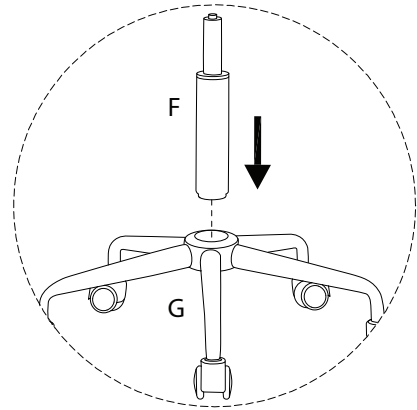
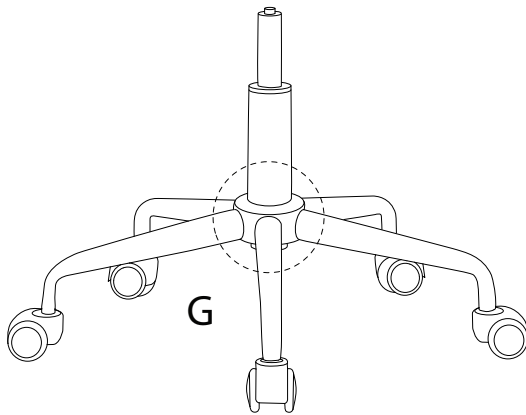
1a



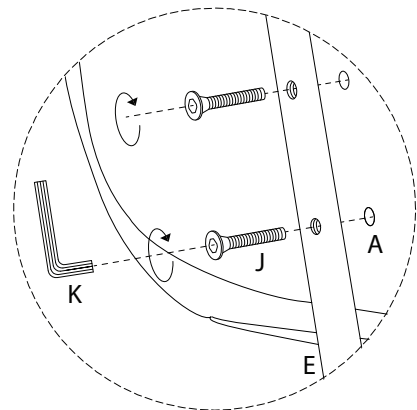
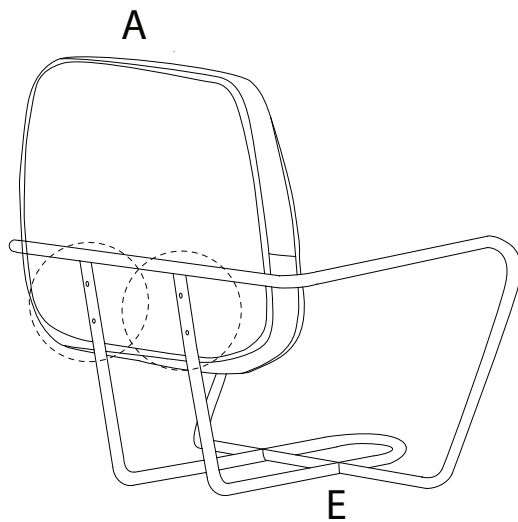
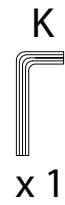
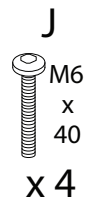
1b



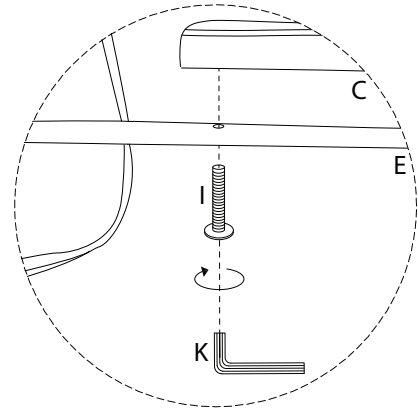
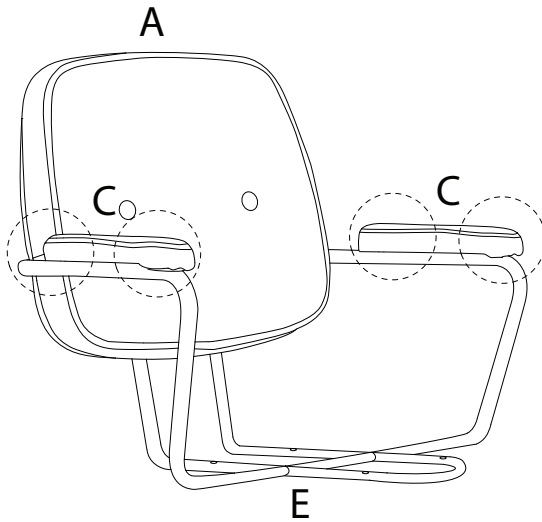
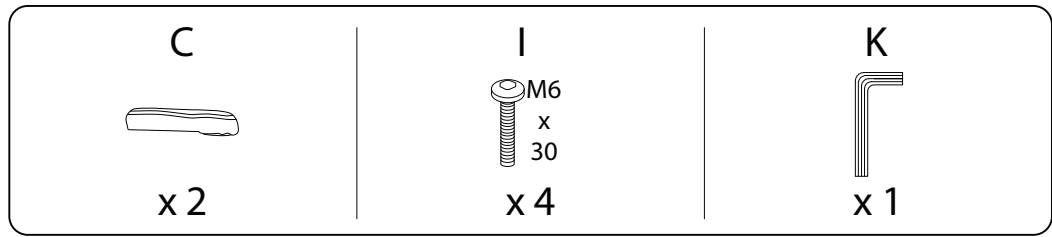
2



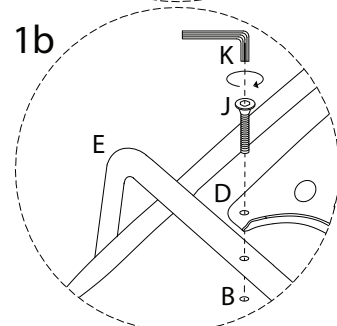
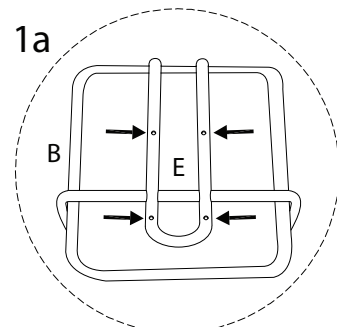
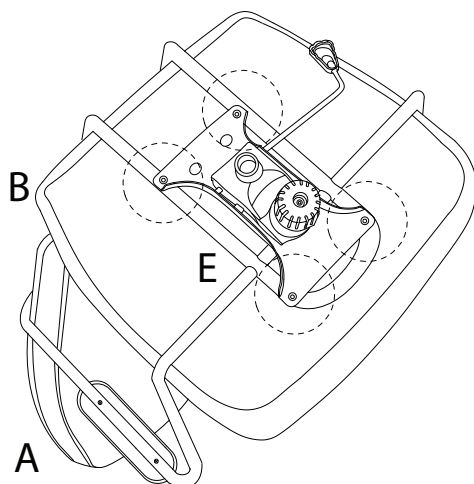
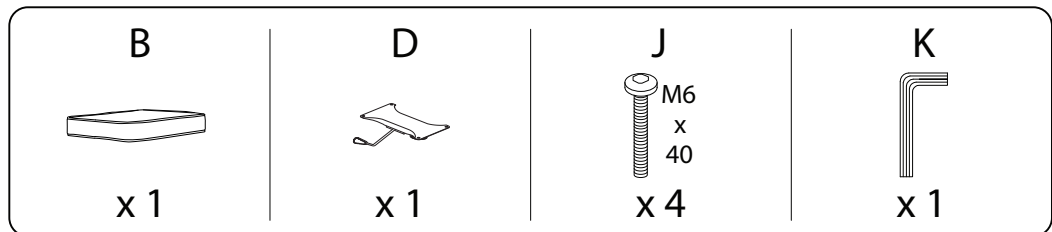
3



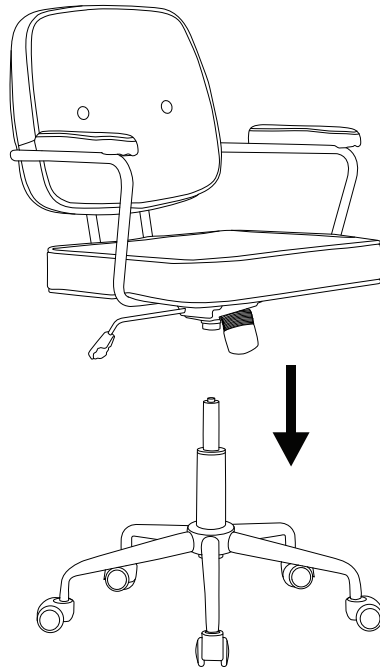
4



5



6



!

