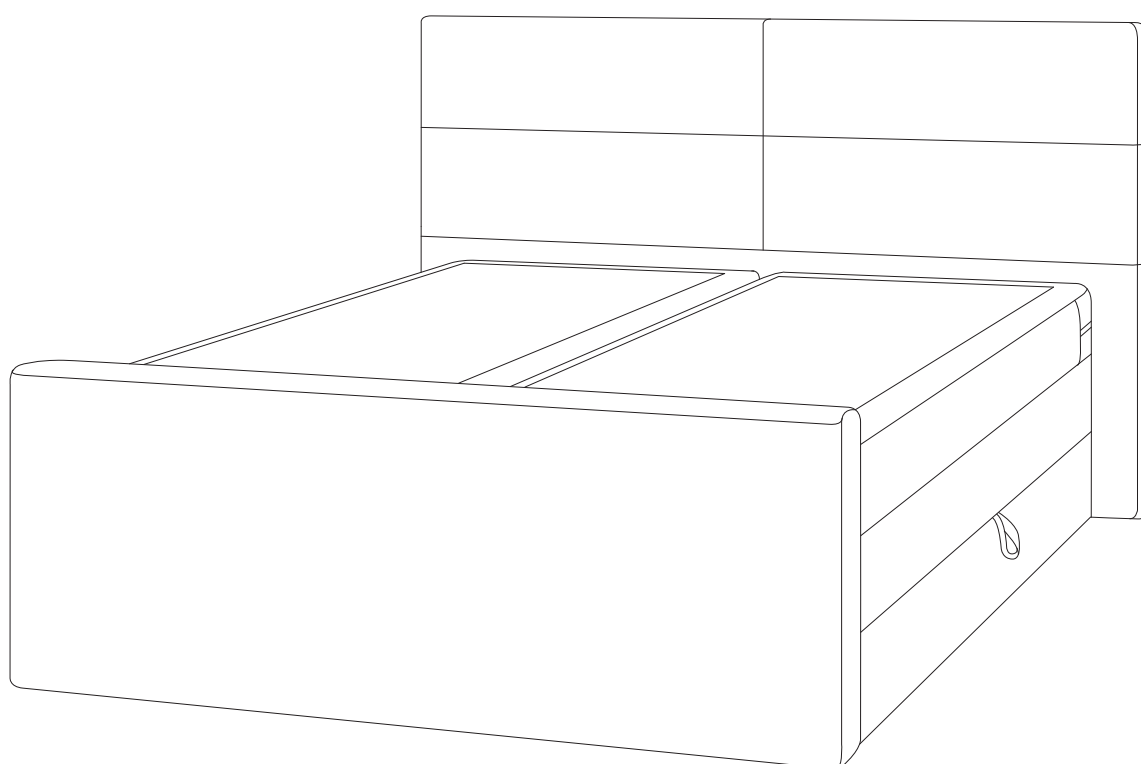
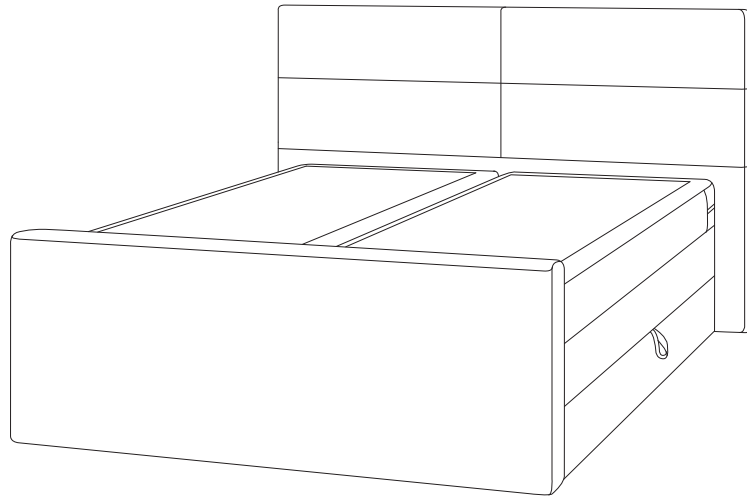
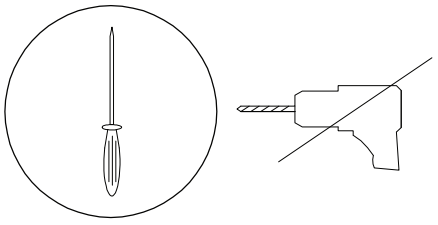

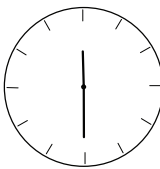
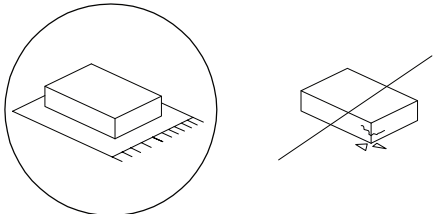




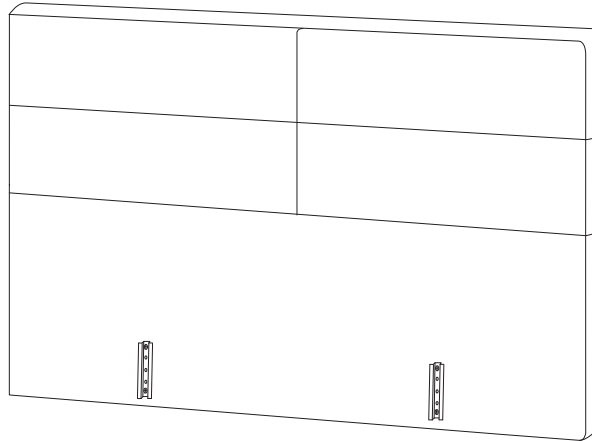
# ARISTOCRAT



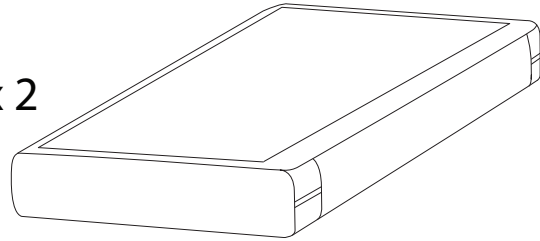
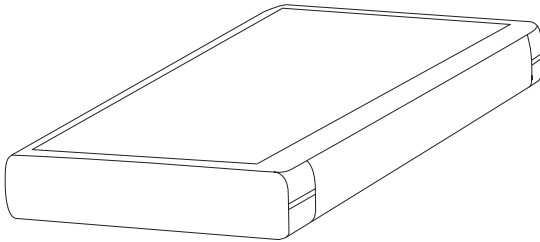


		
		<b>30'</b>
		
		<b>2</b>

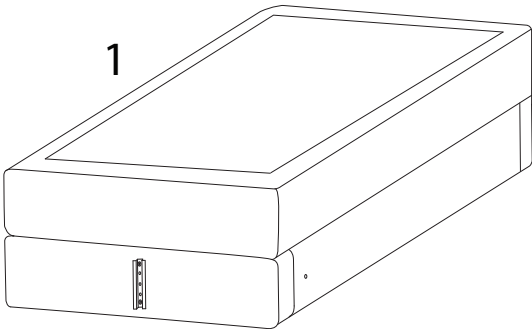
4



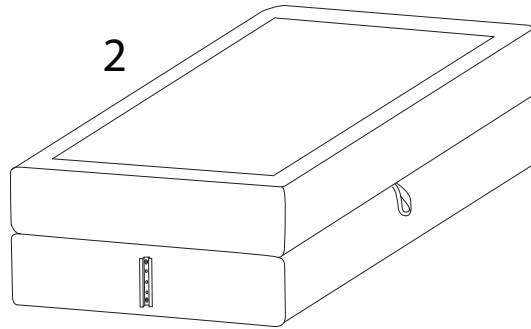
3 x 2



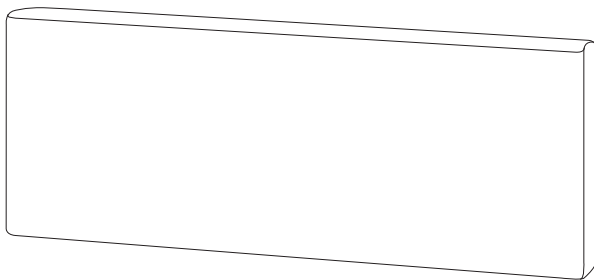
1



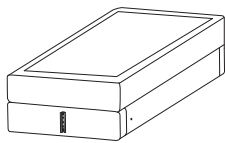
2



5

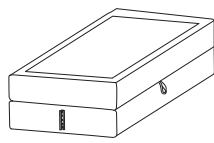


1



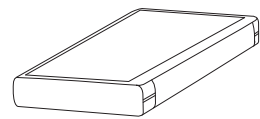
x 1

2



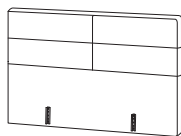
x 1

3



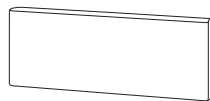
x 2

4



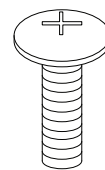
x 1

5



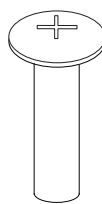
x 1

6



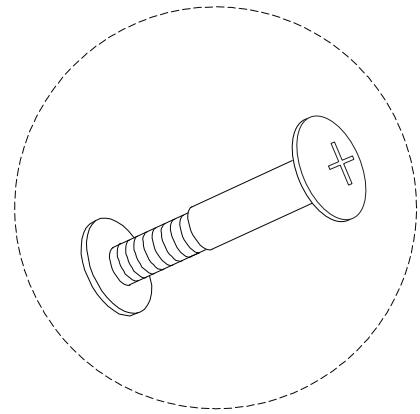
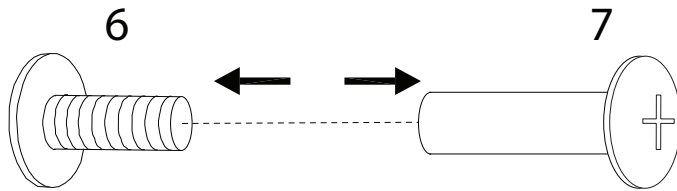
x 1

7

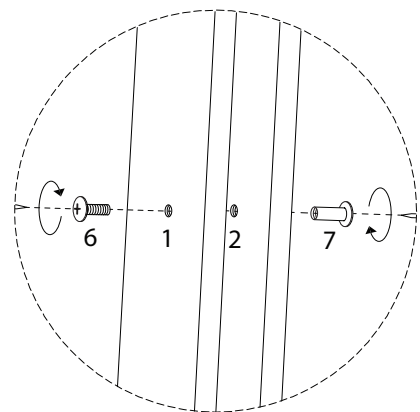
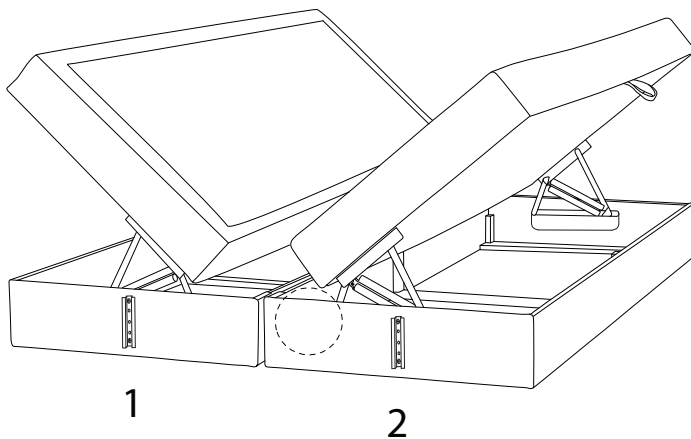
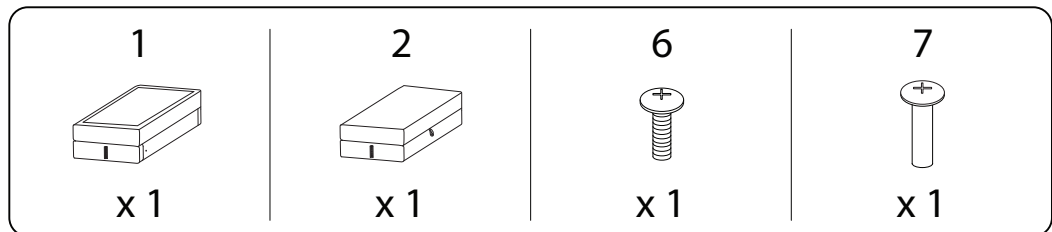


x 1

!

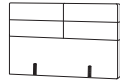


1

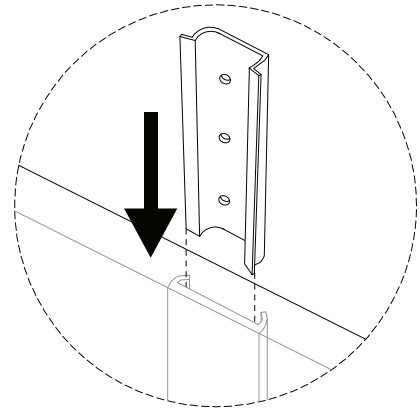
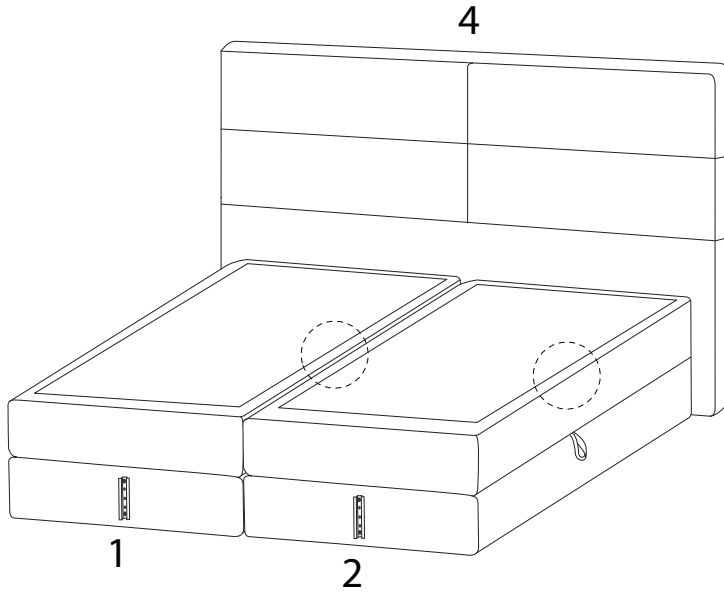


2

4



x 1

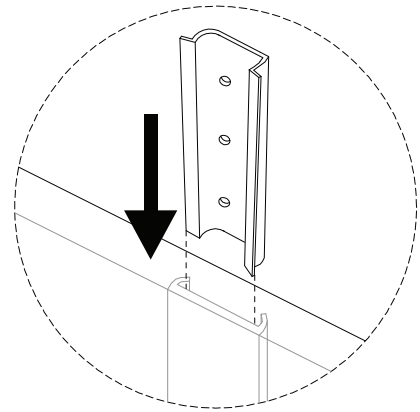
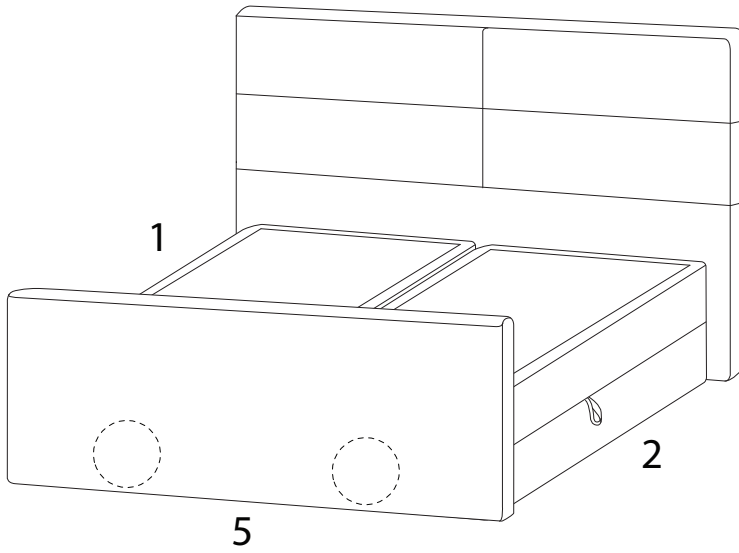


3

5



x 1



4

