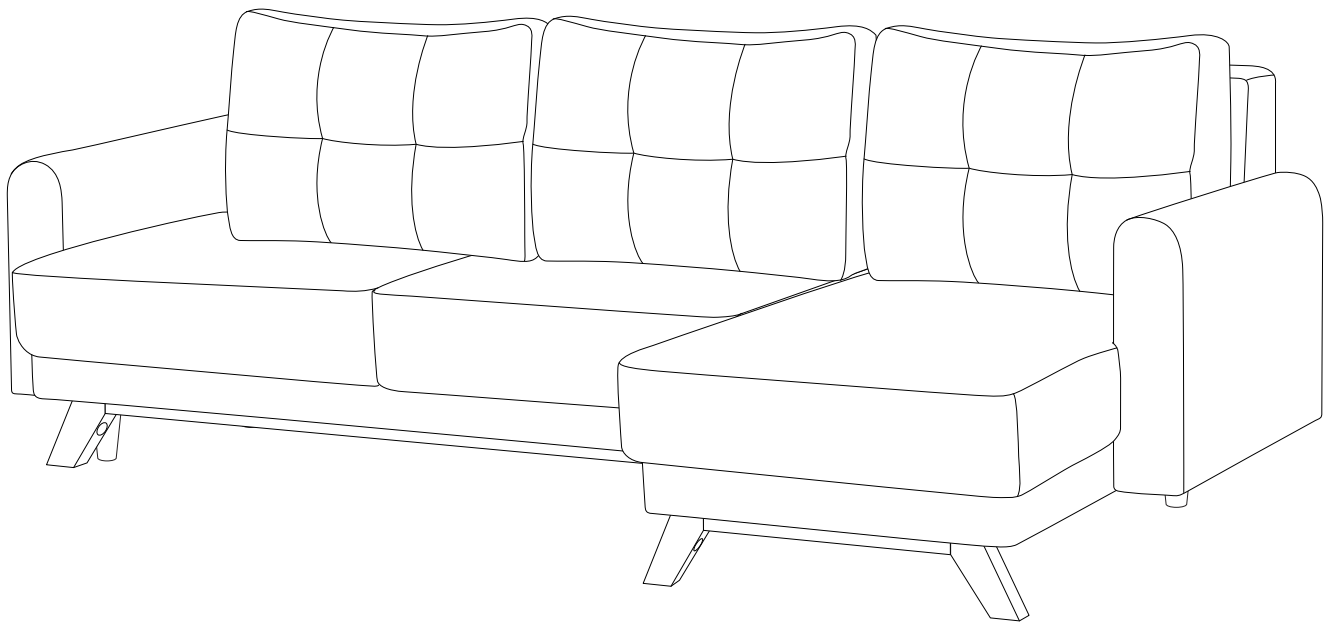


SIRO



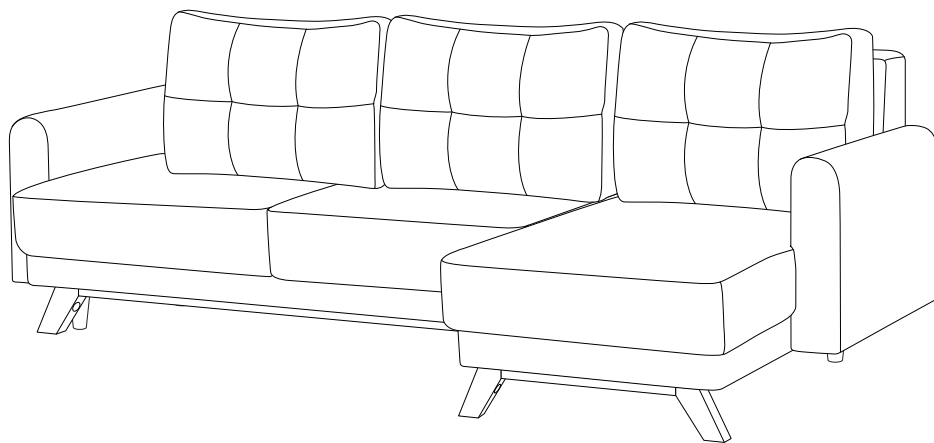
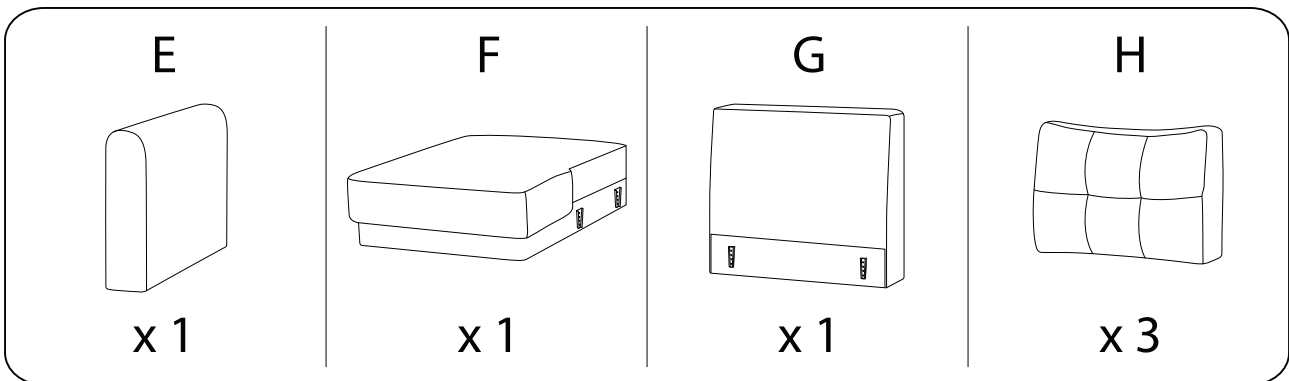
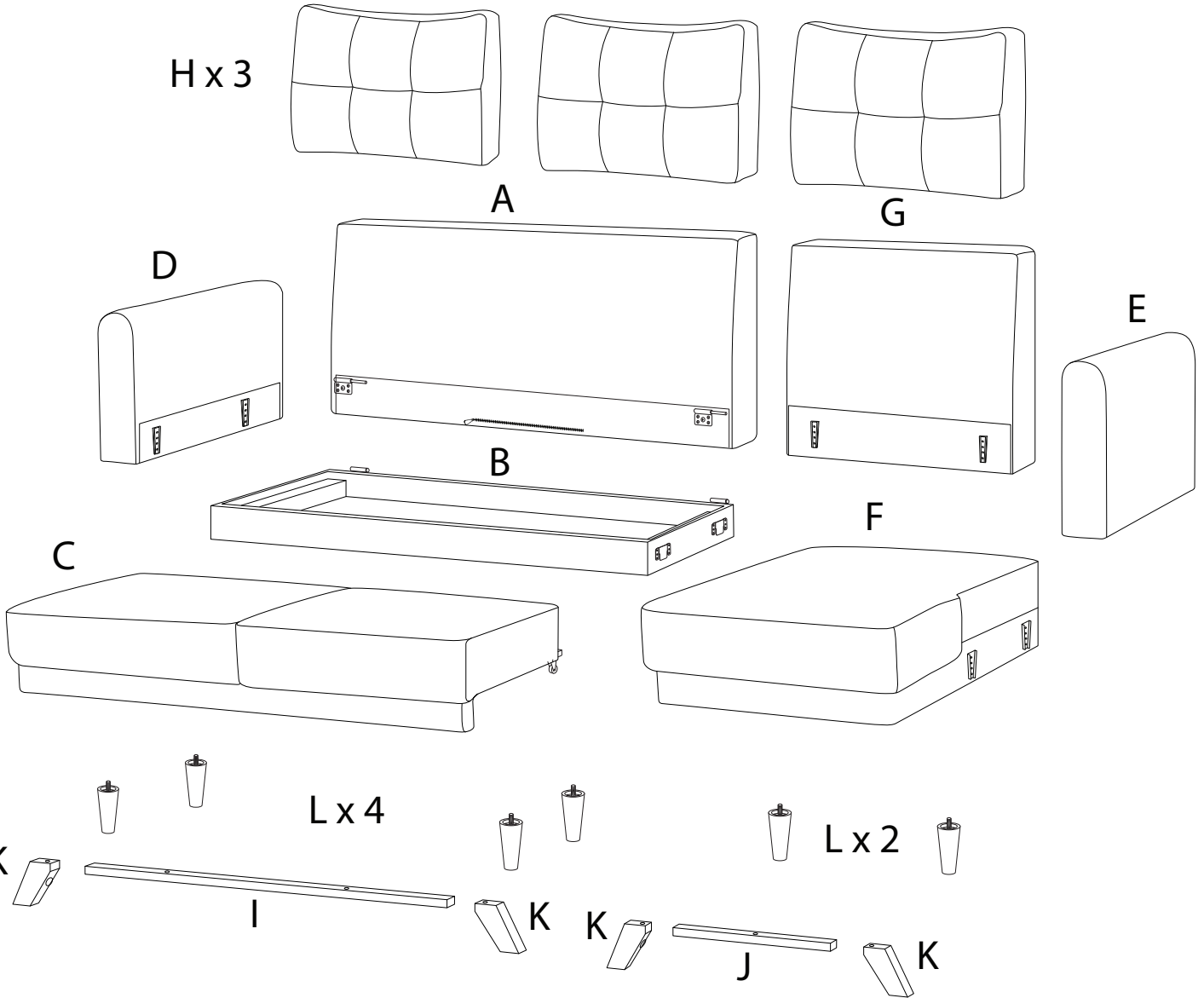
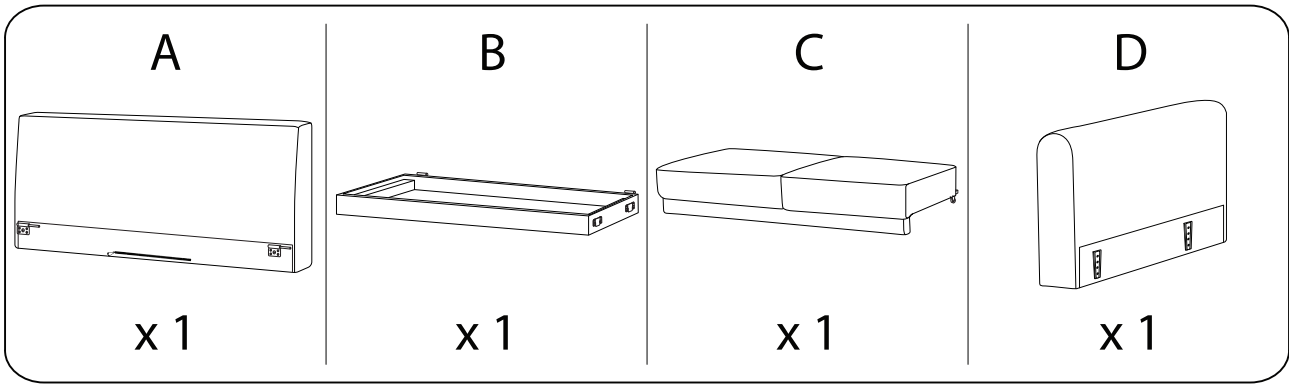


Diagram illustrating assembly instructions and safety warnings:

- Warning 1:** A warning triangle with an exclamation mark is shown next to a box containing an L-shaped metal bracket and a power drill with a diagonal slash through it, indicating that power tools should not be used for this step.
- Warning 2:** A second warning triangle with an exclamation mark is shown next to a box containing a rectangular block being placed on a surface and another block being lifted, indicating a lifting or placement instruction.
- Time:** A clock icon is shown next to the text "20'", indicating a 20-minute assembly time.
- Personnel:** An icon of a person is shown next to the number "2", indicating that two people are required for assembly.

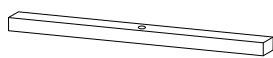


I



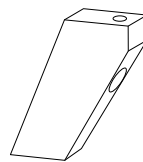
x 1

J



x 1

K



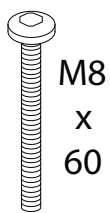
x 4

L



x 6

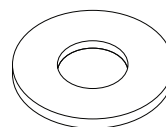
M



M8
x
60

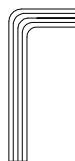
x 7

N



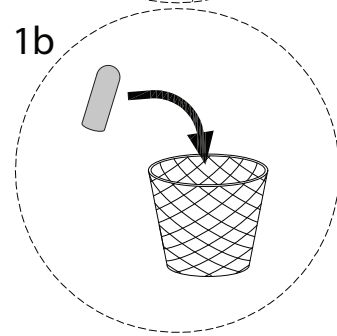
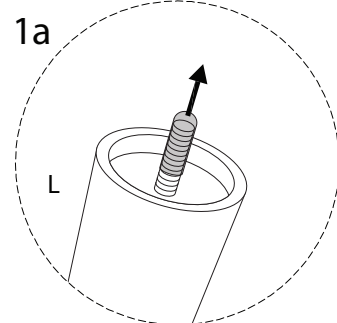
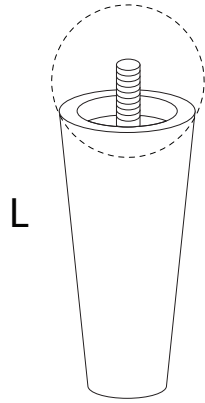
x 7

O

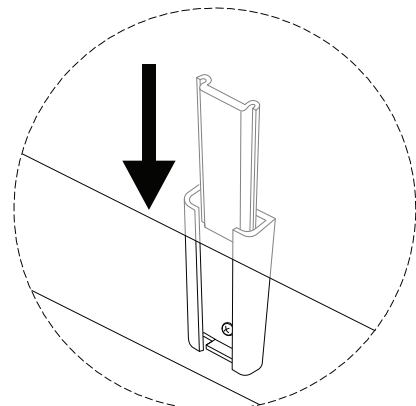
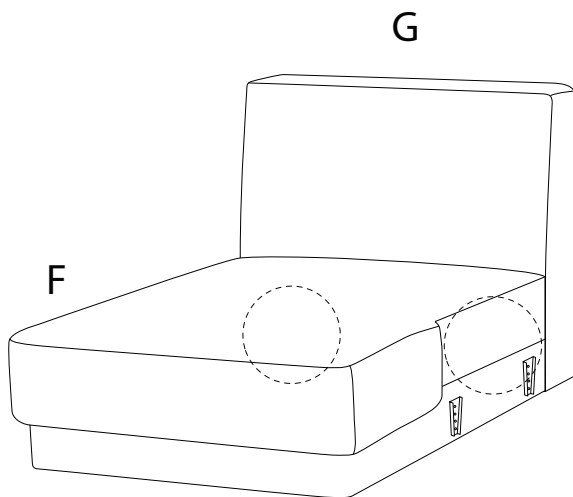
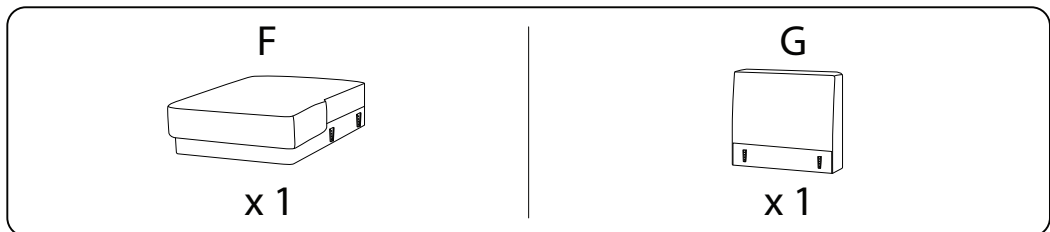


x 1

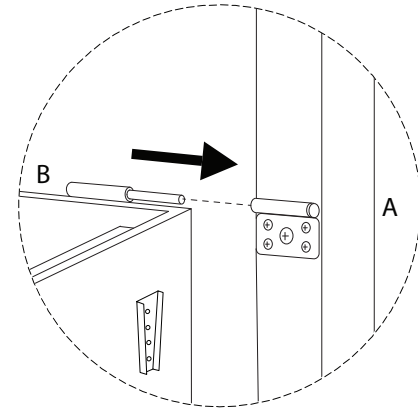
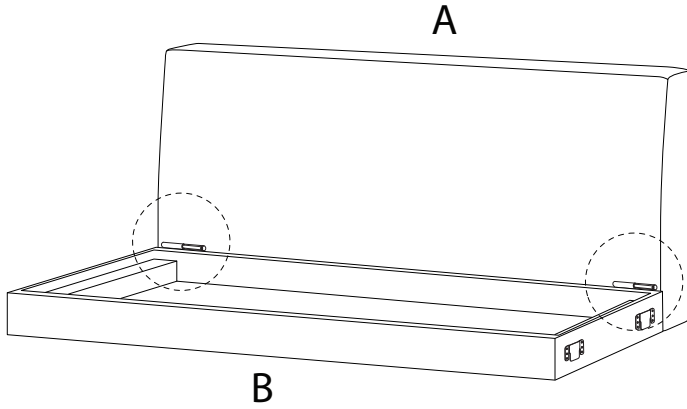
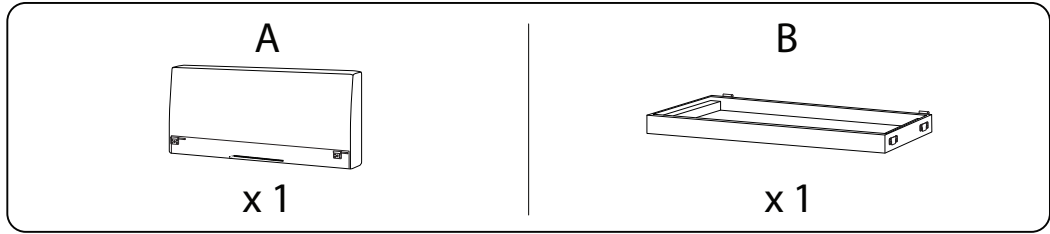
!



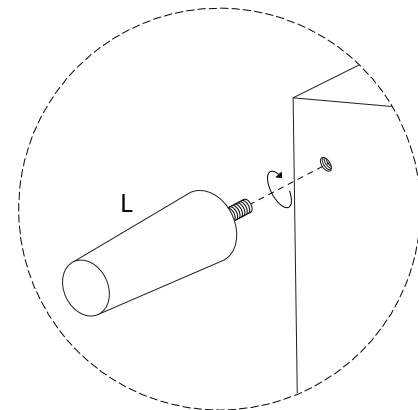
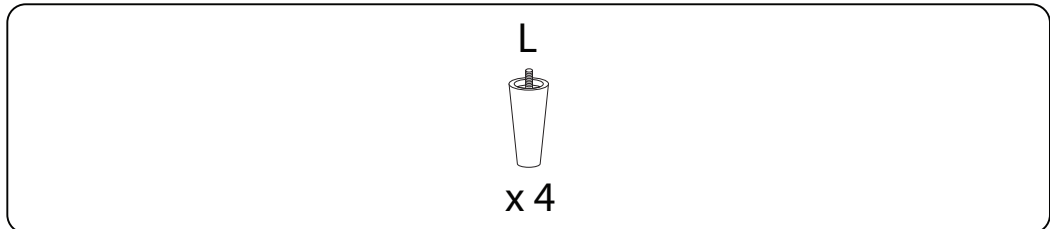
1



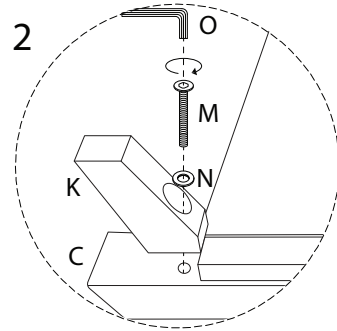
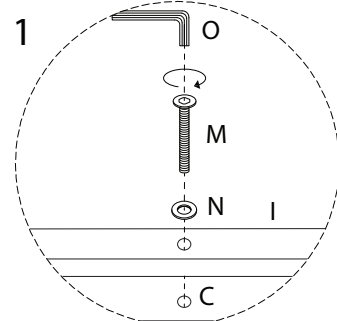
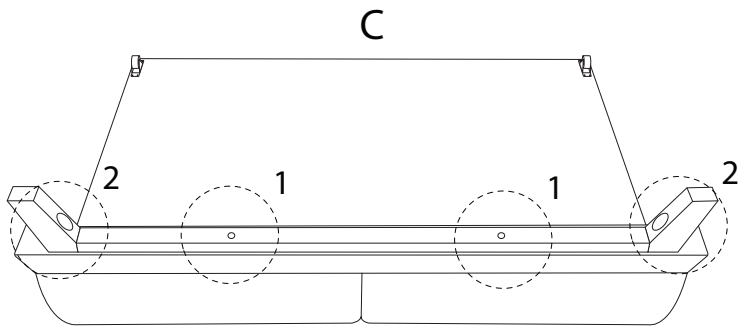
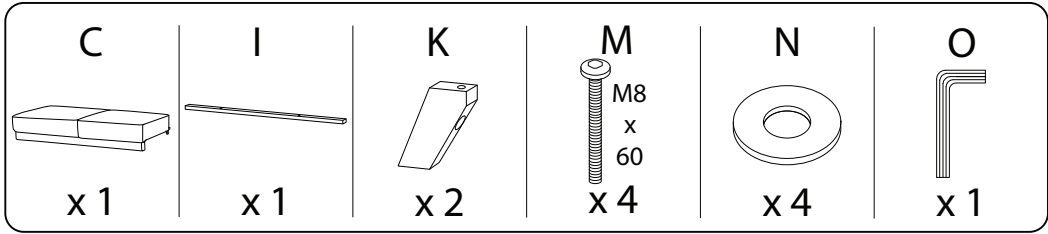
2



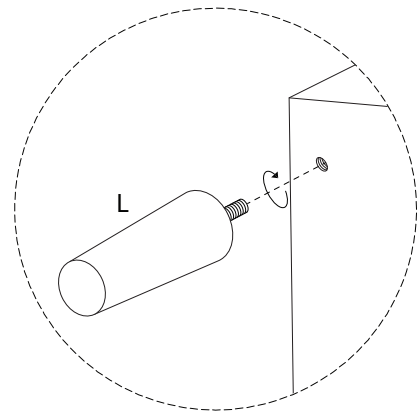
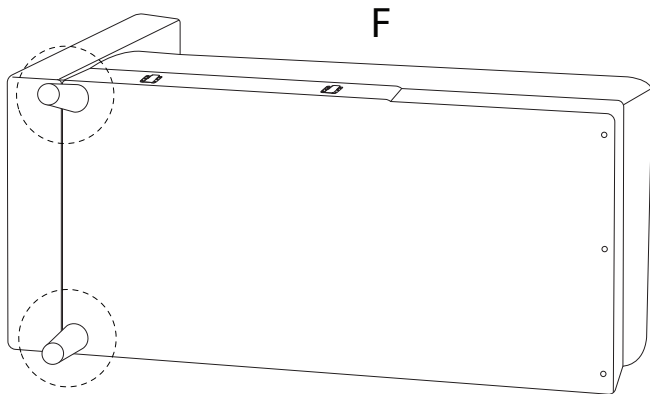
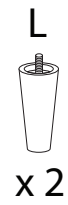
3



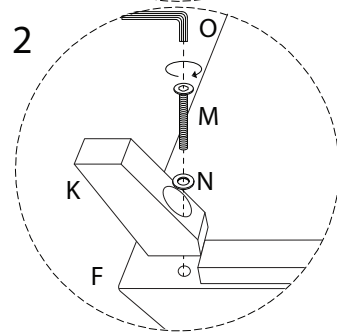
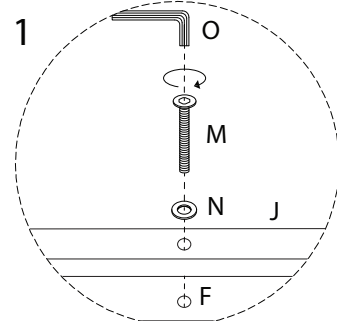
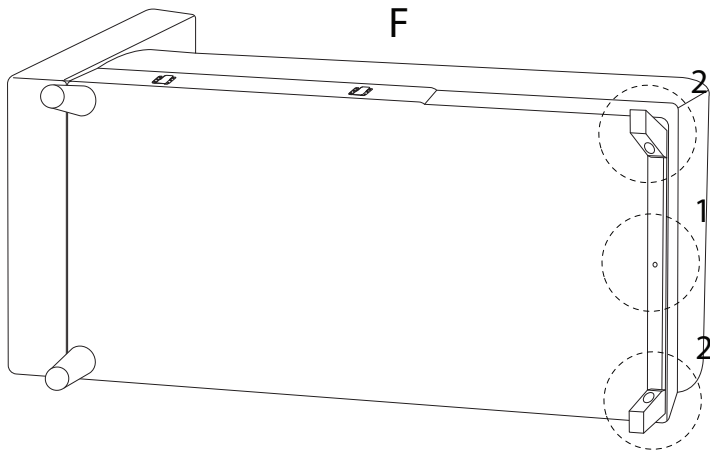
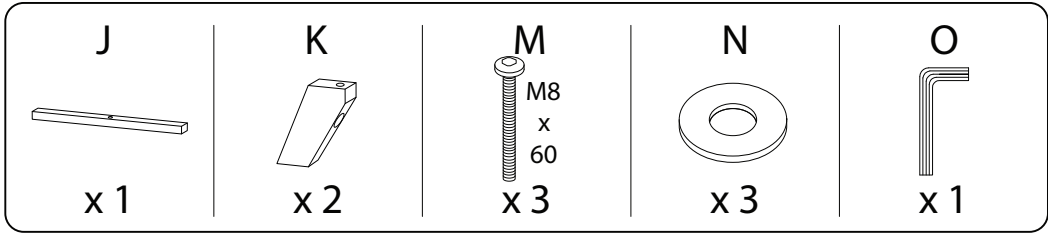
4



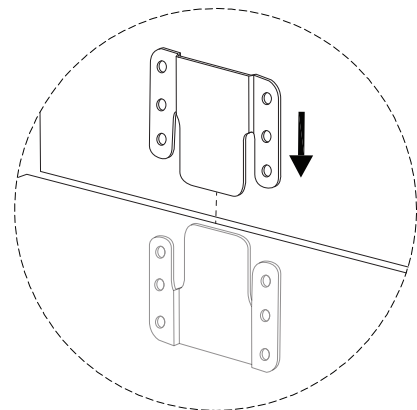
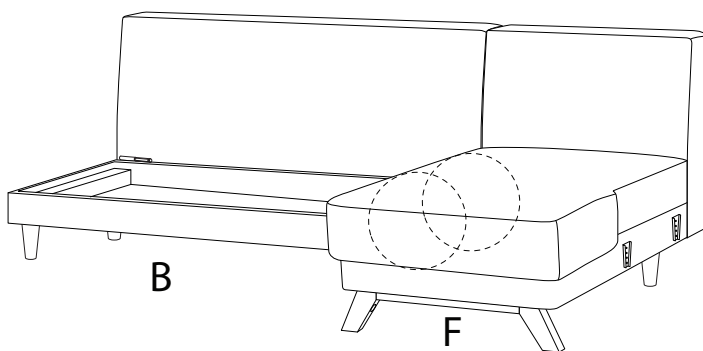
5



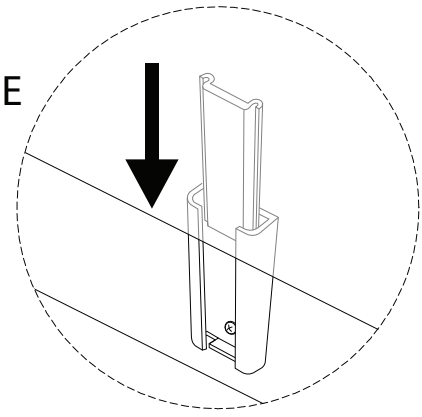
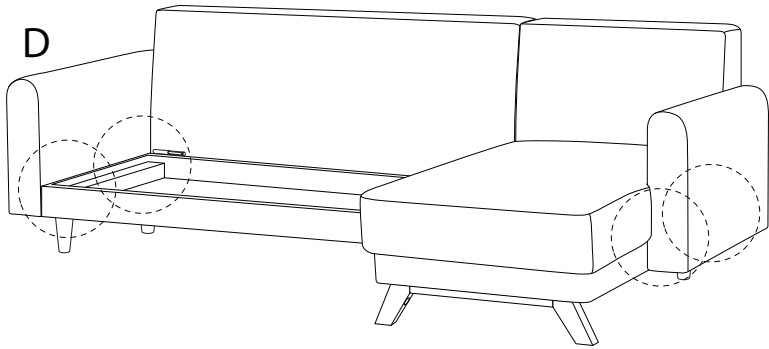
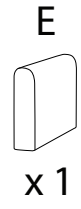
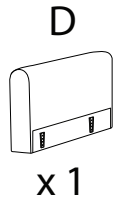
6



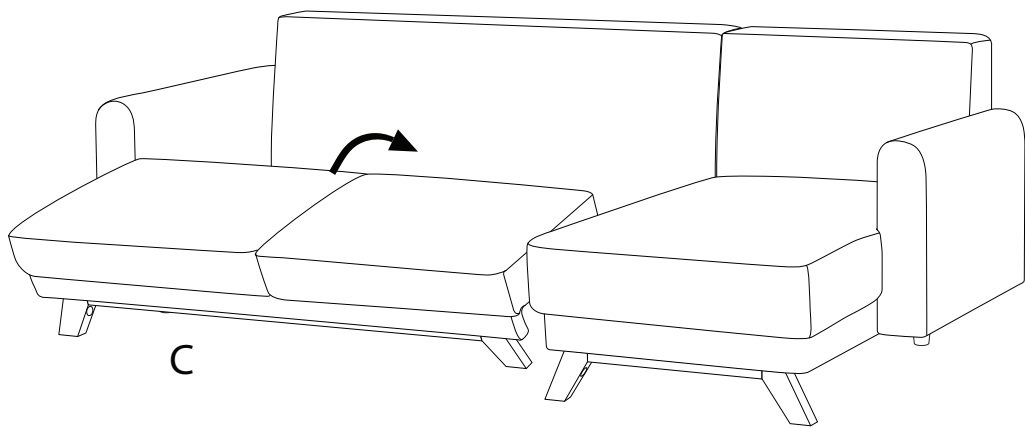
7



8

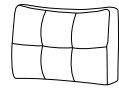


9



10

H

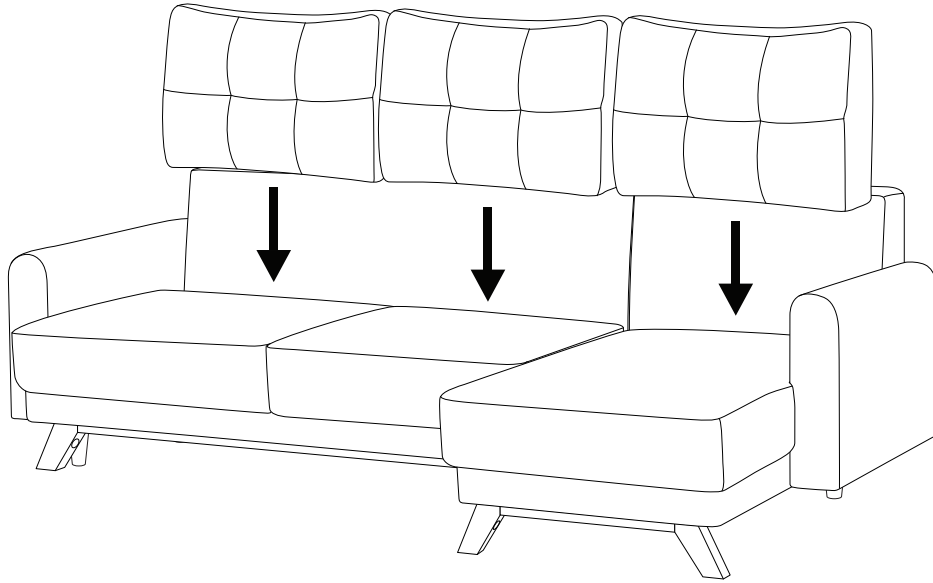


x 3

H

H

H



!

