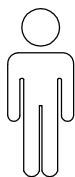


5'



1

1/3

A



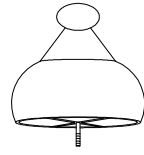
x 1

B

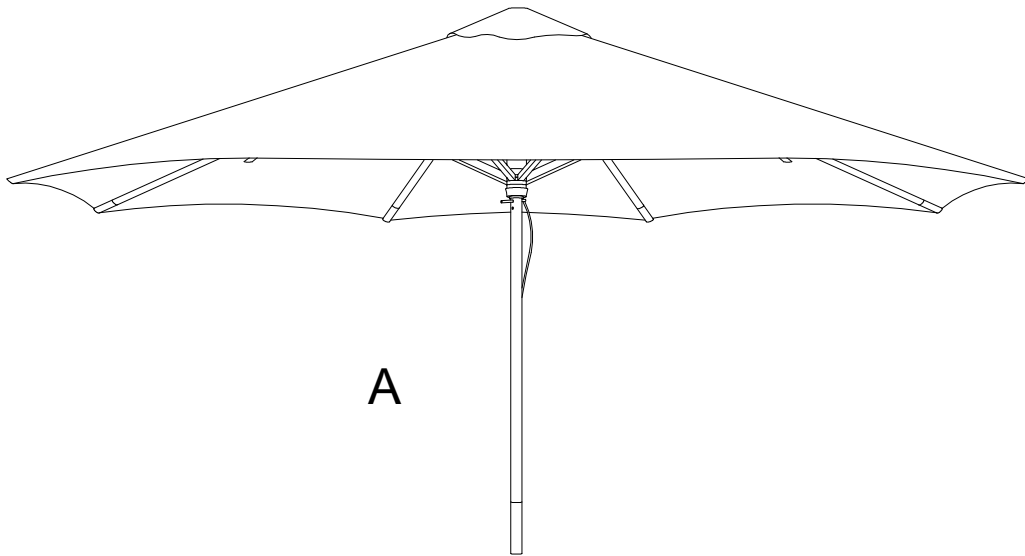


x 1

C



x 1

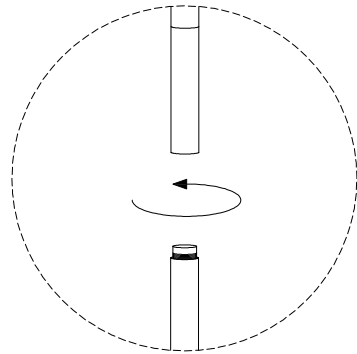
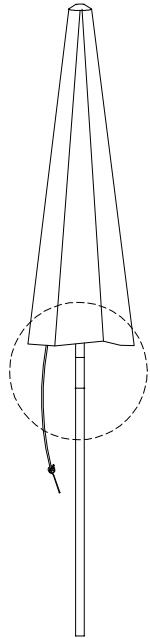
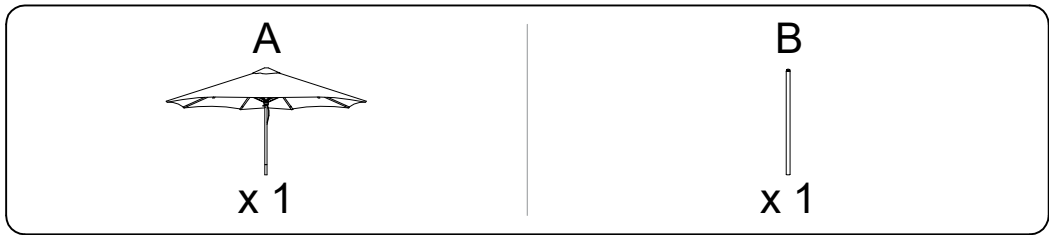


A

B



1



2

