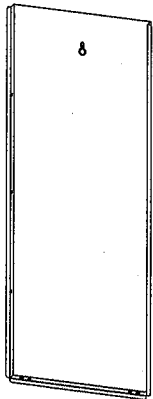
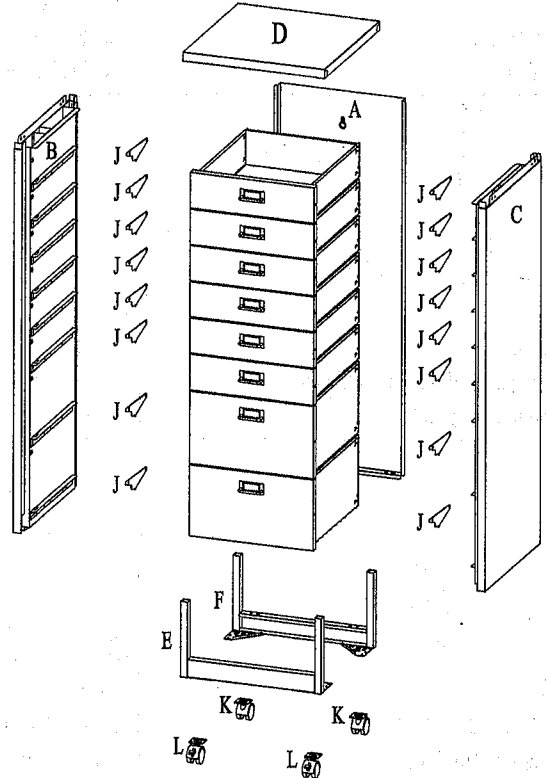
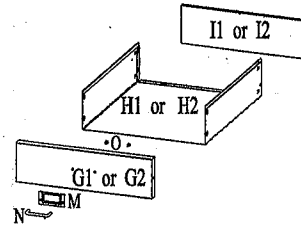
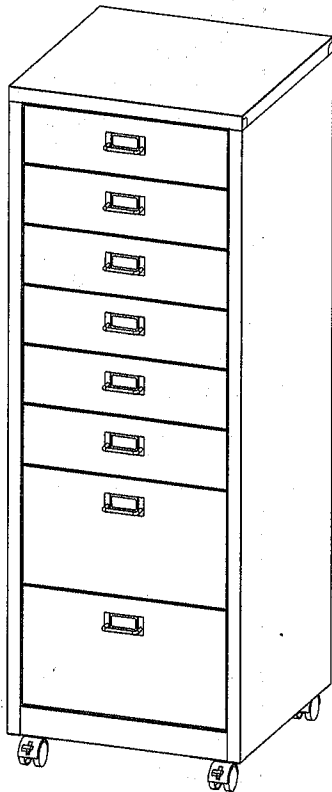
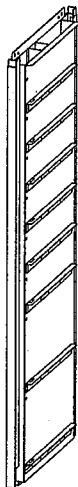


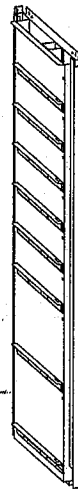
#99473 #99474 #99475  
Rollcontainer HWC-L49



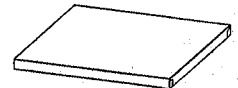
-A  
-1 pcs  
-104.65×35.3cm  
-Name: back panel, linke Rückwand



-B  
-1 pcs  
-109.7×41cm  
-Name: left side, linke Seitenwand



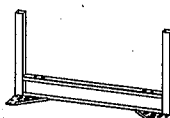
-C  
-1 pcs  
-109.7×41cm  
-Name: right side, linke Seitenwand



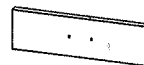
-D  
-1 pcs  
-41.05×40.07cm  
-Name: top, Schrankdeckel



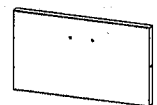
-E  
-1 pcs  
-21×39.8cm  
-Name: supporting, Stützrahmen



-F  
-1 pcs  
-21×39.8cm  
-Name: supporting, Stützrahmen



-G1  
-6 pcs  
-10×35cm  
-Name: drawer panel, vordere Schubladenblenden



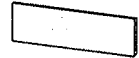
-G2  
-2 pcs  
-20.2×35cm  
-Name: drawer panel, - bigger vordere Schubladenblenden



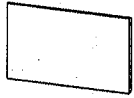
-H1  
-6 pcs  
-38×51cm  
-Name: drawer plate,  
Schubladenboden



-H2  
-2 pcs  
-38×71.4cm  
-Name: drawer plate, - bigger  
Schubladenboden



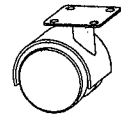
-I1  
-6 pcs  
-9.7×31.3cm  
-Name: back panel of drawer,  
hintere Schubladenblenden



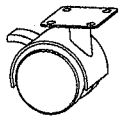
-I2  
-2 pcs  
-19.9×31.3cm  
-Name: back panel of drawer, - bigger  
hintere Schubladenblenden



-J  
-16 pcs  
-4.08×15.5cm  
-Name: metal sheet to prevent derailment



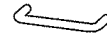
-K  
-2 pcs  
-5.5×4.0cm  
-Name: wheels,  
Rollen Stück



-L  
-2 pcs  
-5.5×4.0cm  
-Name: the brake wheels,  
Bremsrollen Stück



-M  
-8 pcs  
-3.08×6.65cm  
-Name: card holder



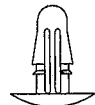
-N  
-8 pcs  
-2.05×6.15cm  
-Name: handle



-O  
-16 pcs  
-0.4×0.5cm  
-Name: screws, Schrauben



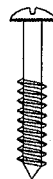
-P  
-14 pcs  
-0.4×1.2cm  
-Name: screws,  
Schrauben Stück



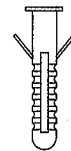
-Q  
-18 pcs  
-∅1.3×1.2cm  
-Name: screws,  
Schrauben Stück



-R  
-32 pcs  
-0.5×1.2cm  
-Name: screws,  
Schrauben Stück



-S  
-1 pcs  
-0.5×4cm  
-Name: screws,  
Schrauben Stück



-T  
-1 pcs  
-0.8×4cm  
-Name: screws,  
Schrauben Stück

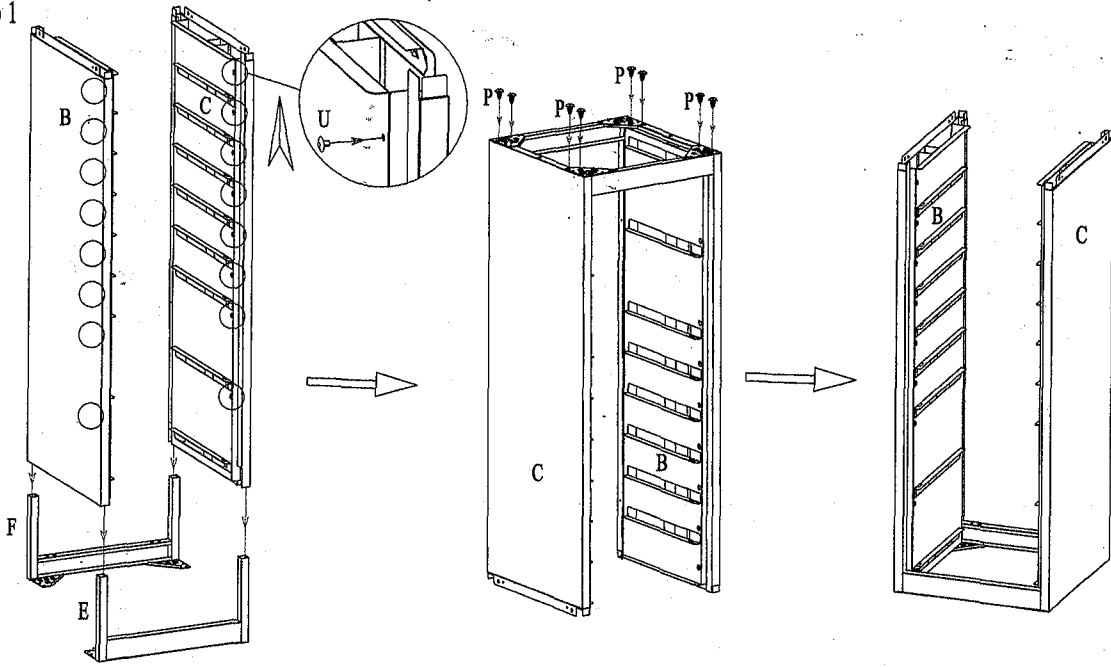


-U  
-32 pcs  
-cm  
-Name: screws,  
Schrauben Stück

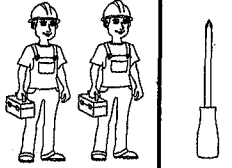


-V  
-16 pcs  
-cm  
-Name: screws,  
Schrauben Stück

Step 1

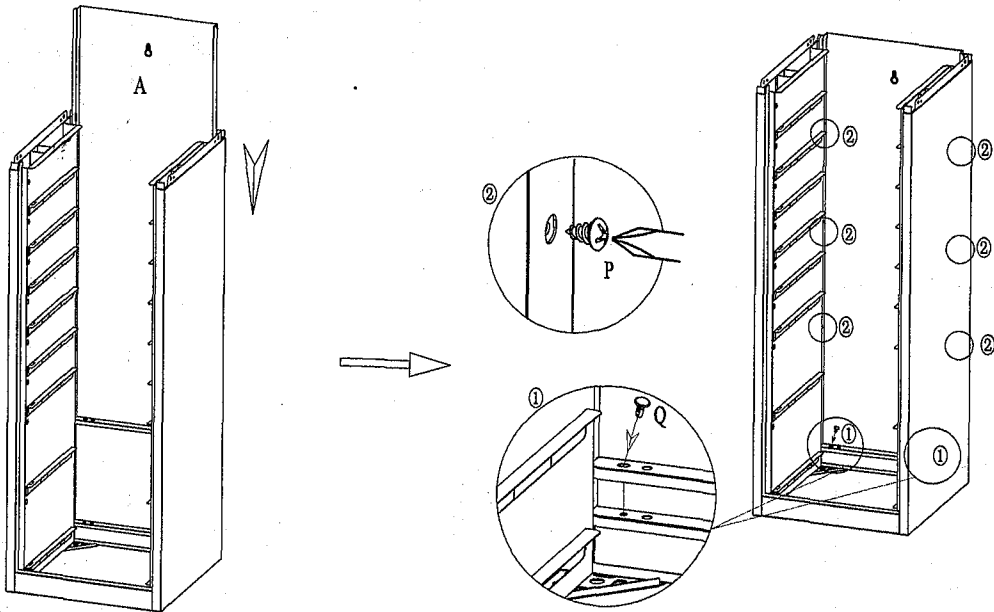


Need

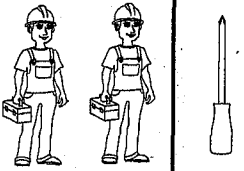


- Part B 1PCS
- Part C 1PCS
- Part E 1PCS
- Part F 1PCS
- Part P 8PCS
- Part U 16PCS

Step 2

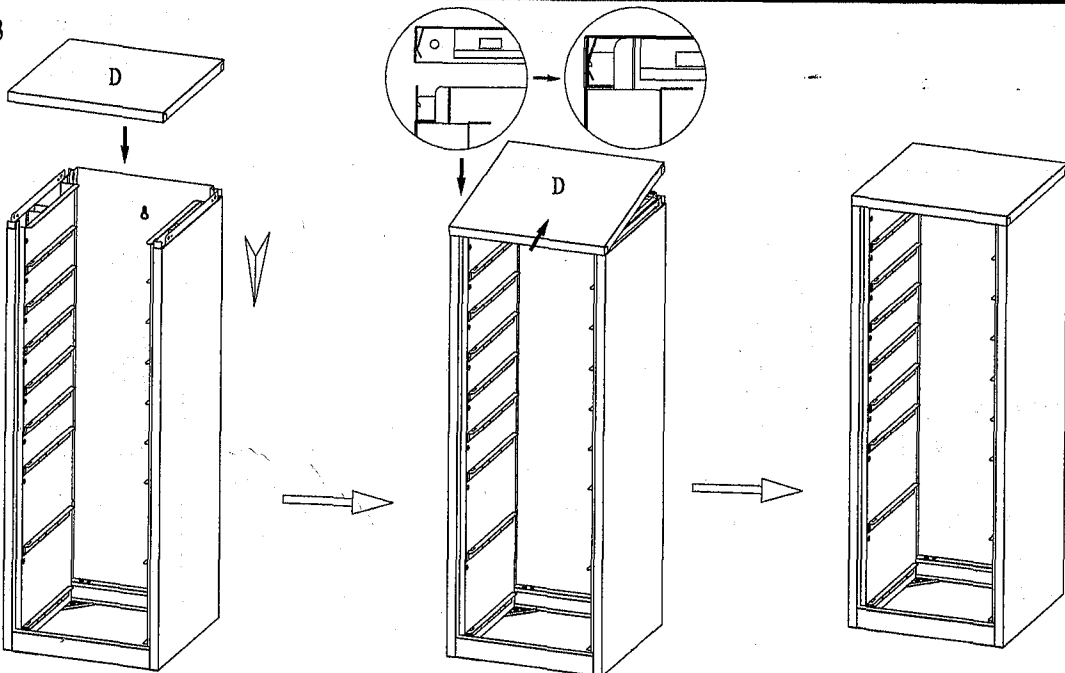


Need

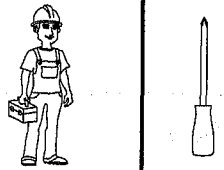


- Part A 1PCS
- Part Q 2PCS
- Part P 6PCS

Step 3

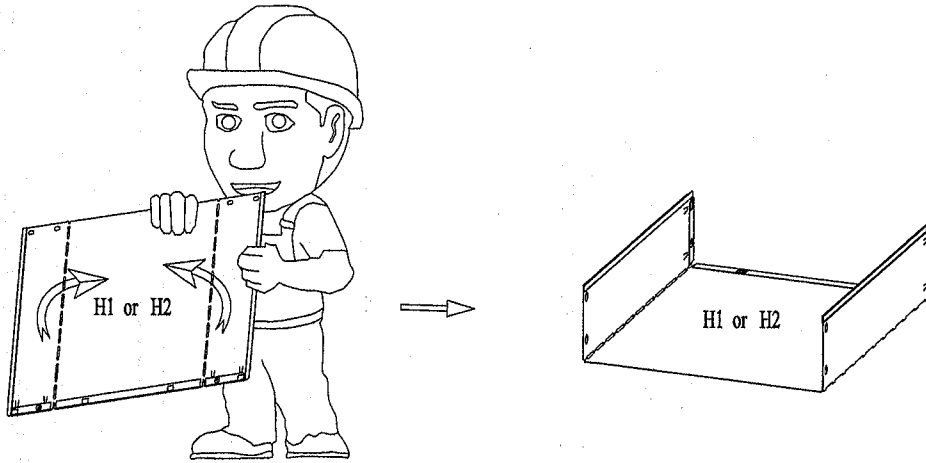


Need



- Part D 1PCS

Step 4

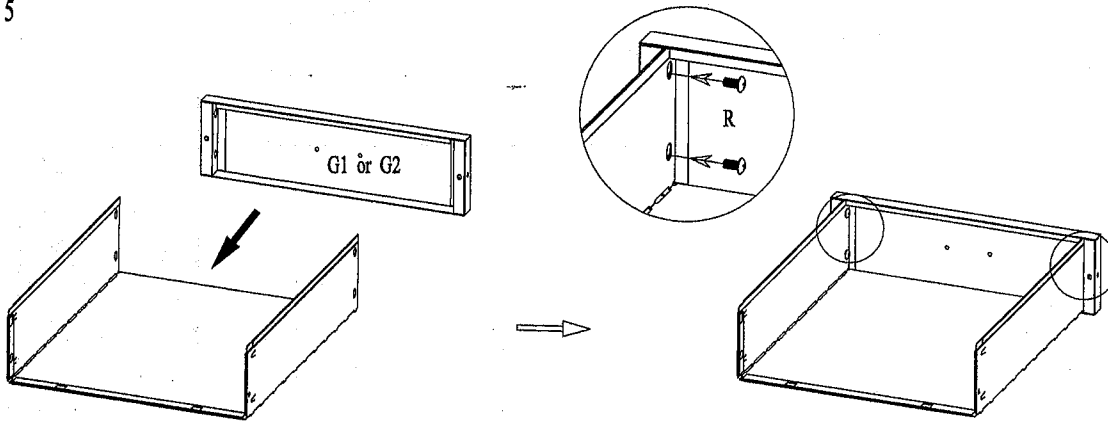


Need



Part H1 6PCS  
Part H2 2PCS

Step 5

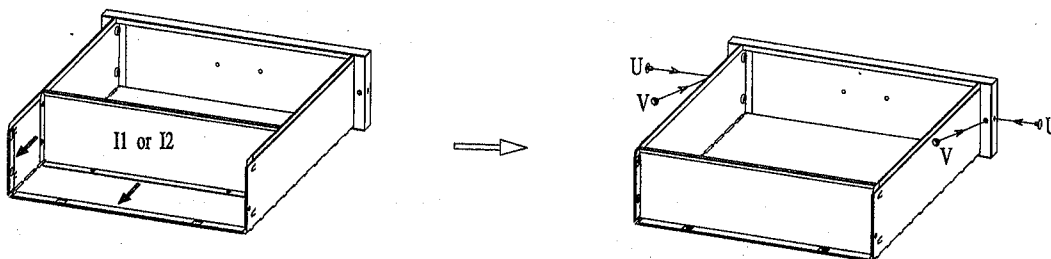


Need



Part G1 6PCS  
Part G2 2PCS  
Part R 32PCS

Step 6

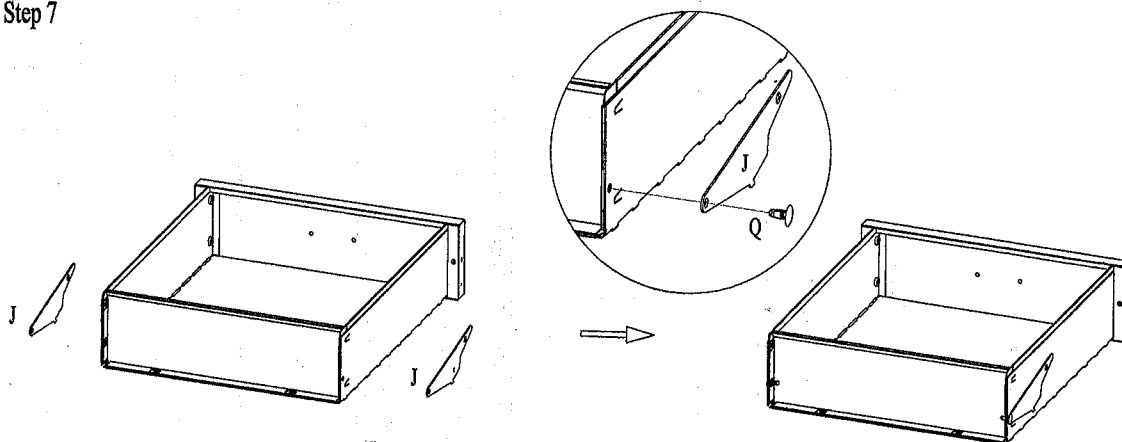


Need



Part I1 6PCS  
Part I2 2PCS  
Part U 16PCS  
Part V 16PCS

Step 7

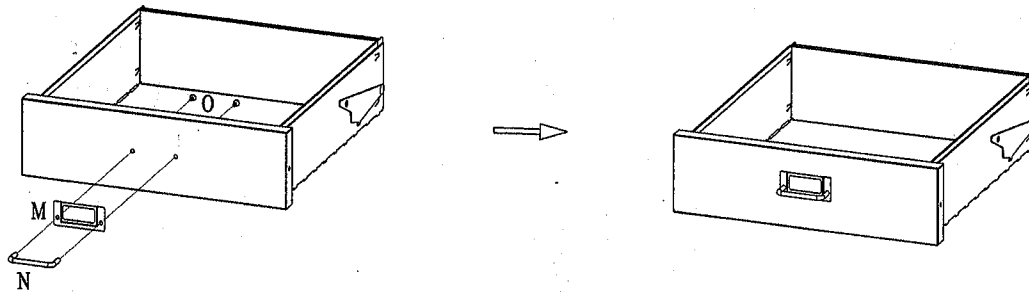


Need



Part J 16PCS  
Part Q 16PCS

Step 8

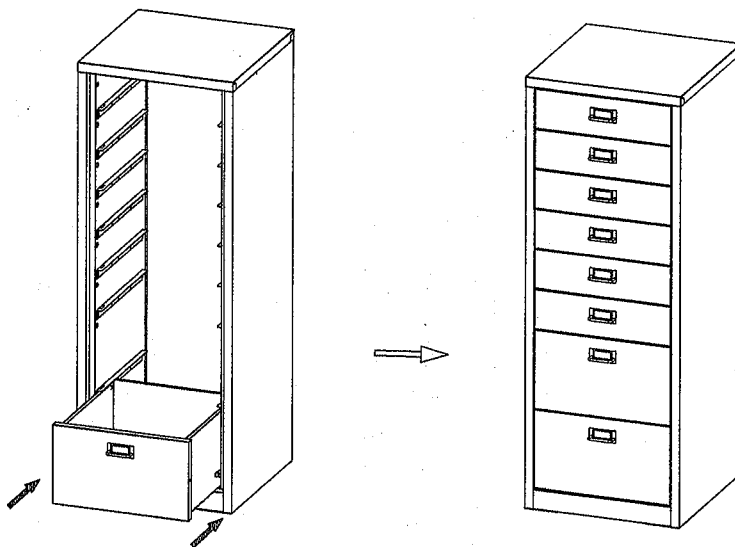


Need



Part M 8PCS  
Part N 8PCS  
Part O 16PCS

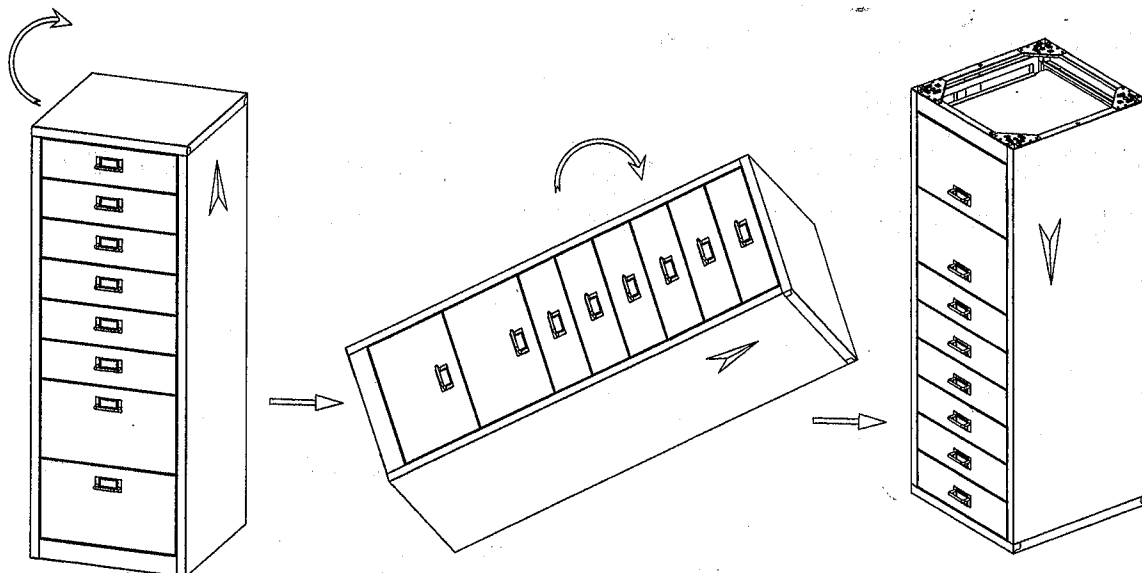
Step 9



Need



Step 10



Need

