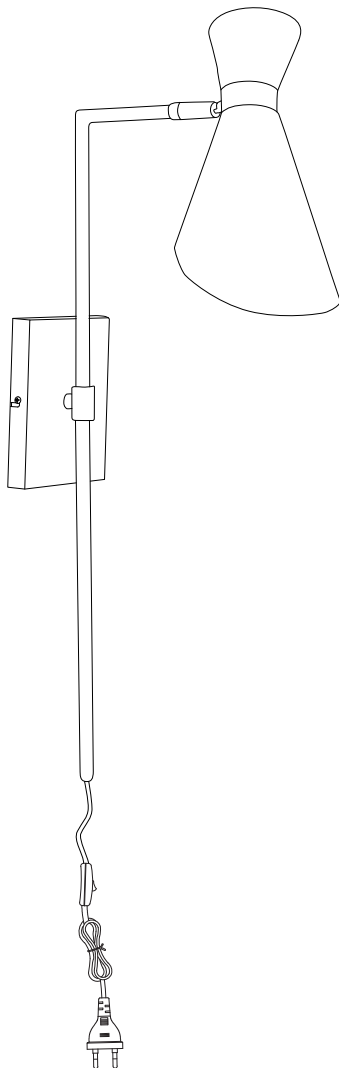
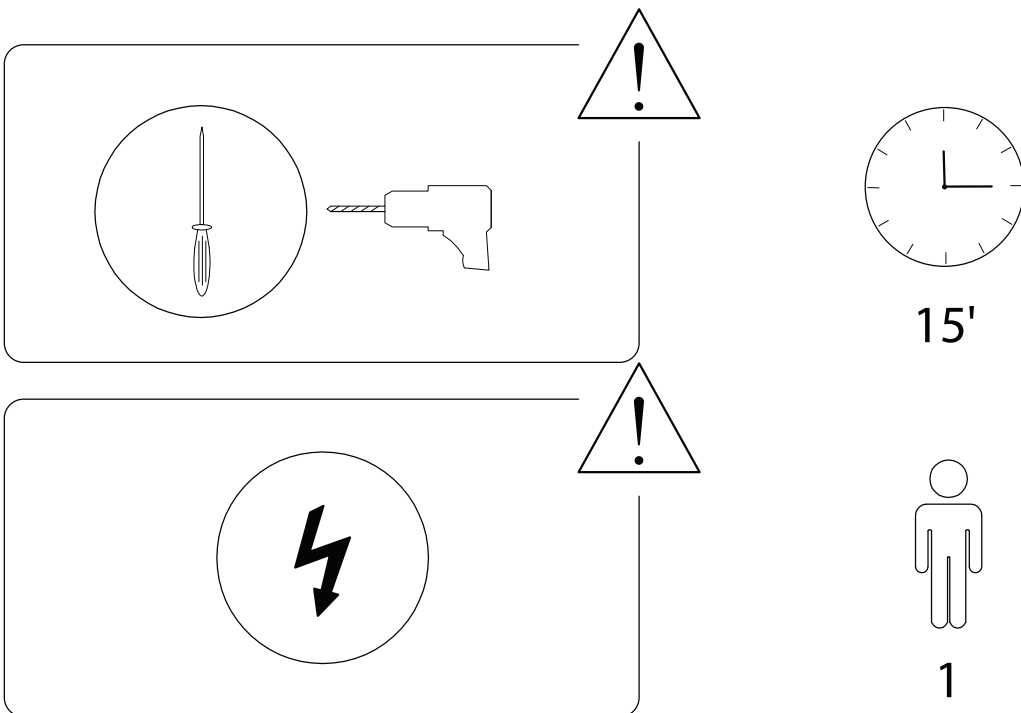
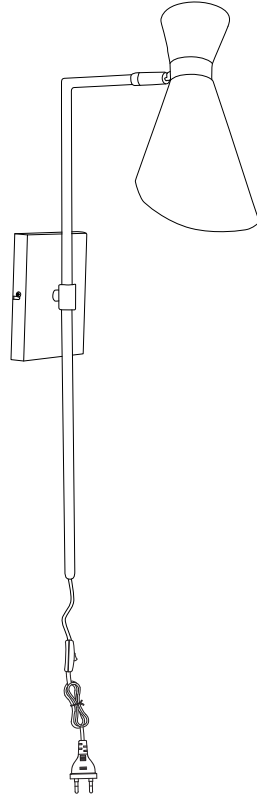


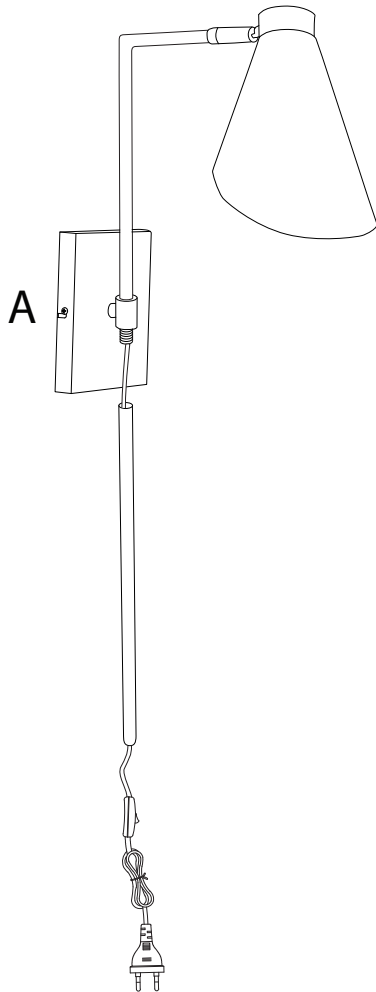
# MELAWI

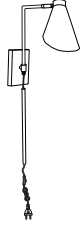




C 

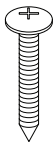
B 

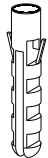


A   
x 1

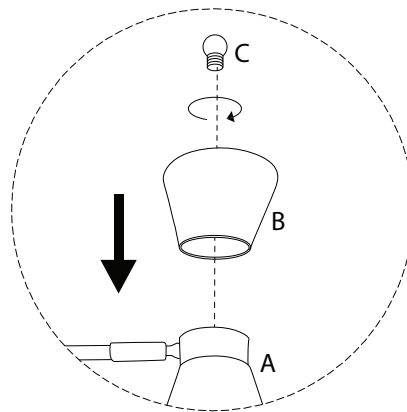
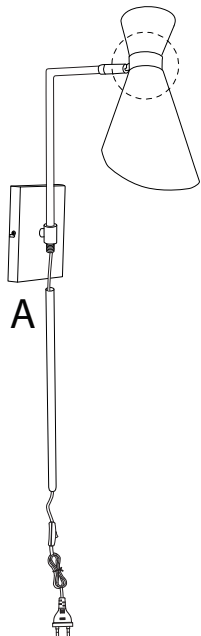
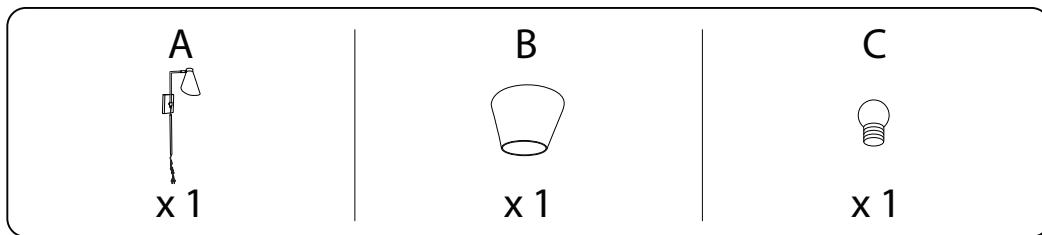
B   
x 1

C   
x 1

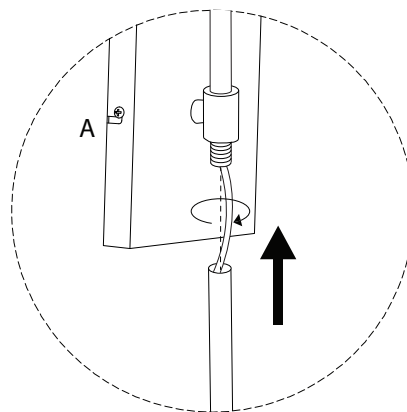
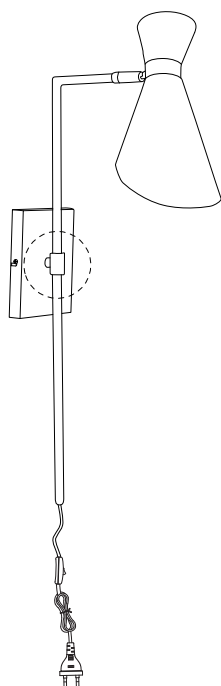
D   
x 2

E   
x 2

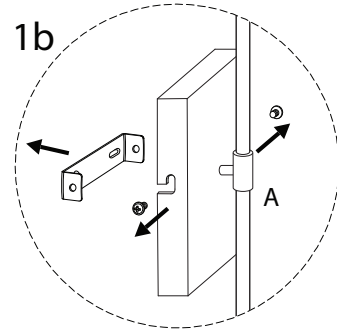
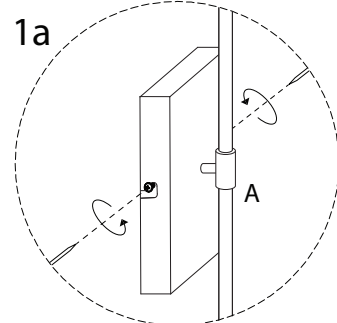
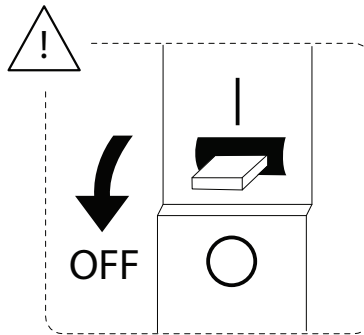
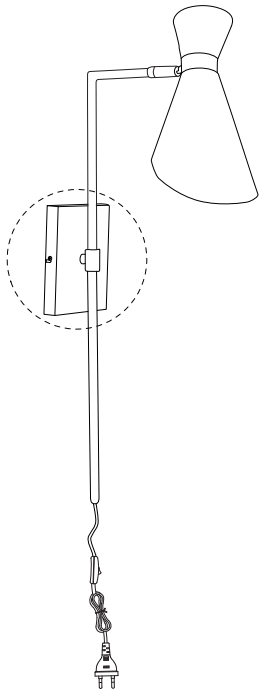
1



2



3



4

D

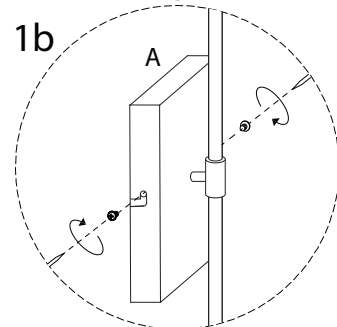
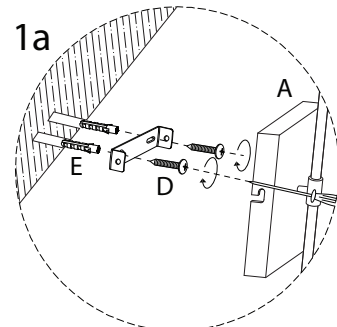
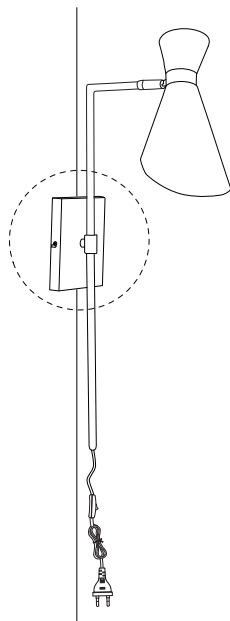


x 2

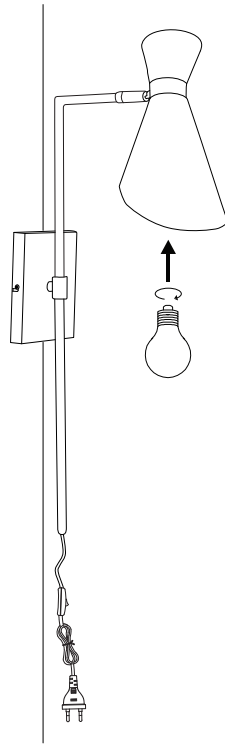
E



x 2



5



!

