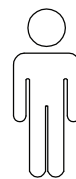
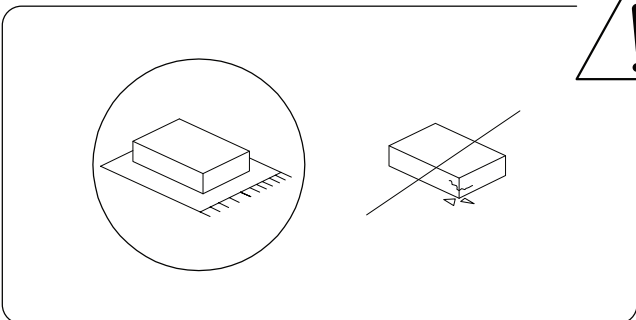
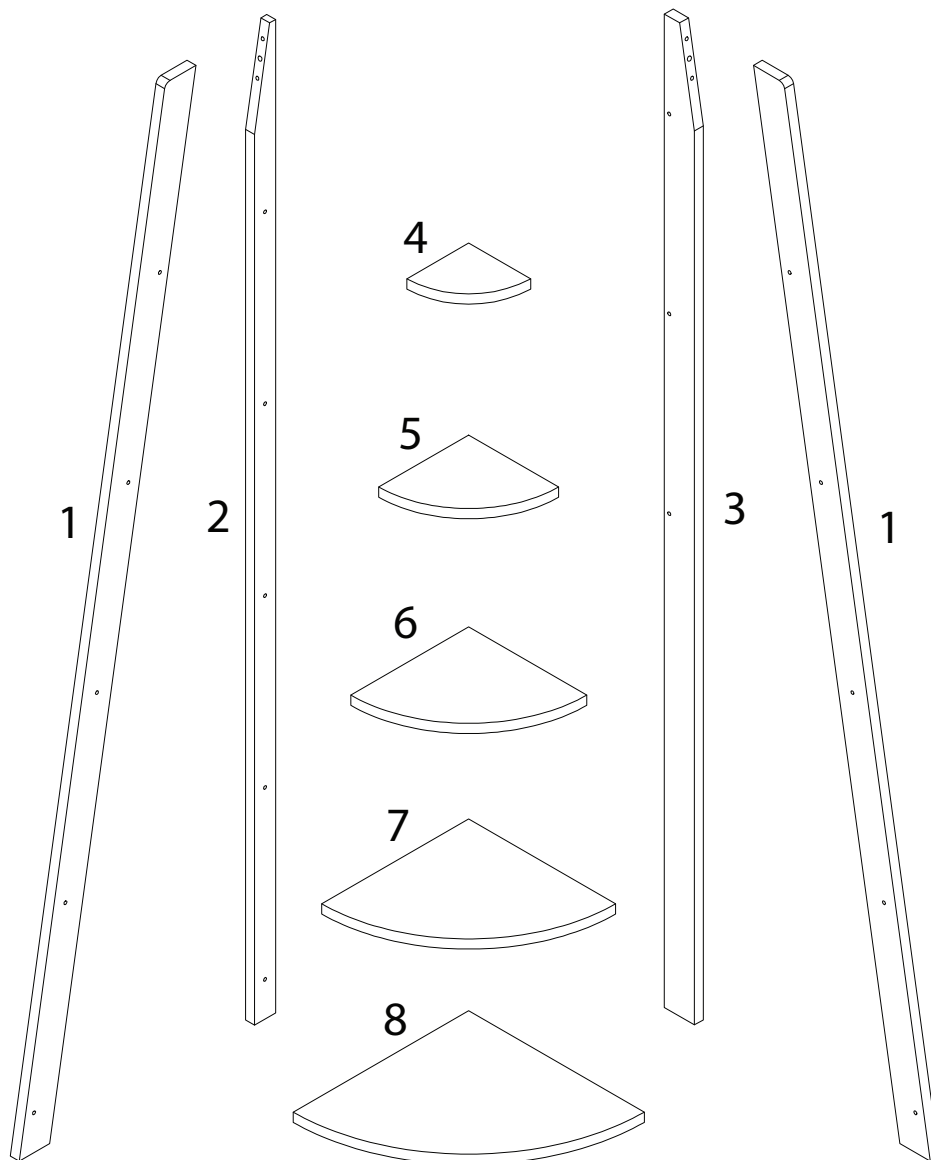
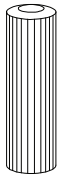
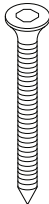

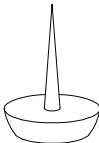
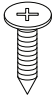
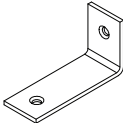


30'



2



A	B	C	D	E	F
	 M6 x 50			 M3.5 x 16	
x 2	x 24	x 1	x 4	x 1	x 1

1



x 2

2



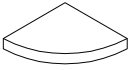
x 1

3



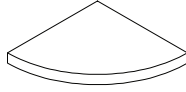
x 1

4



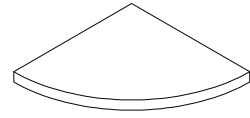
x 1

5



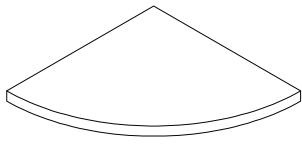
x 1

6



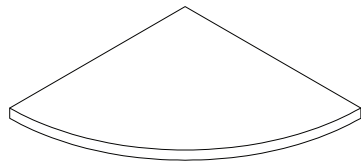
x 1

7



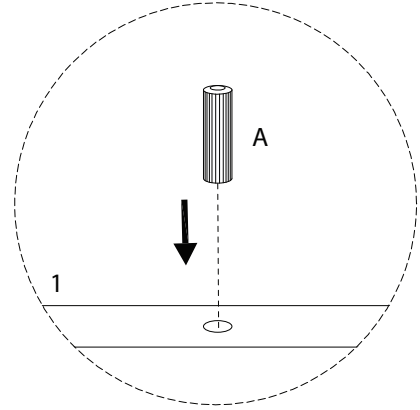
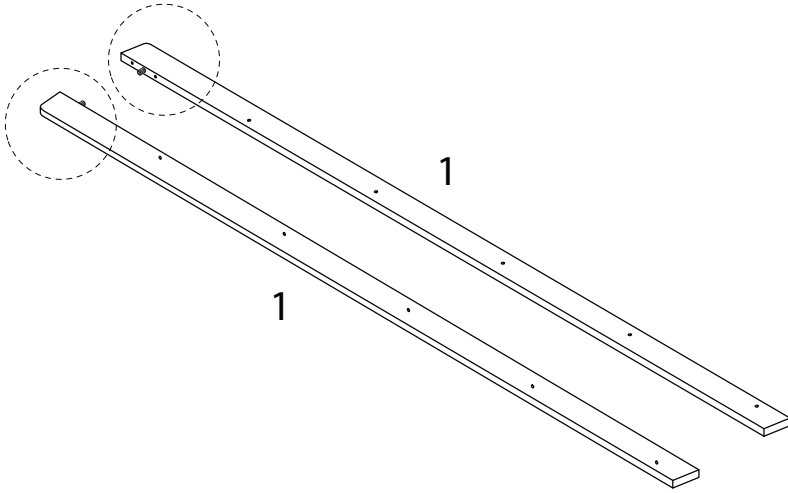
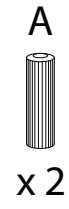
x 1

8

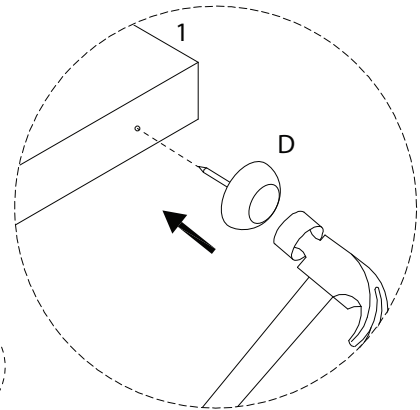
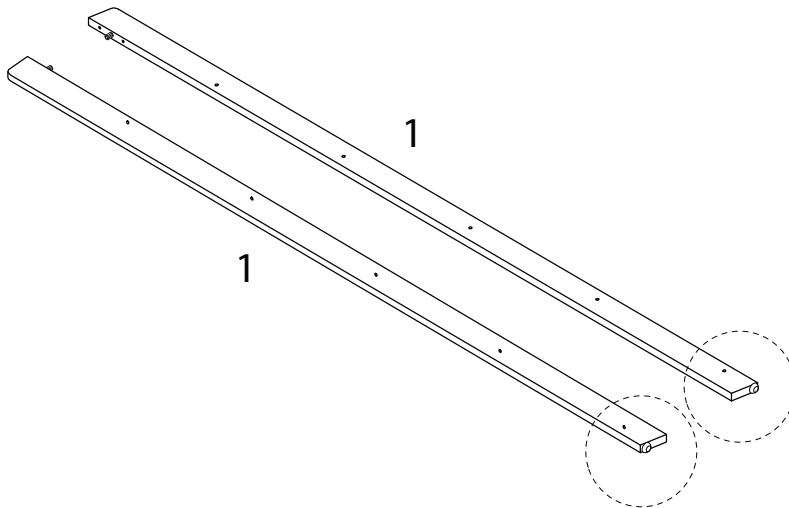


x 1

1



2

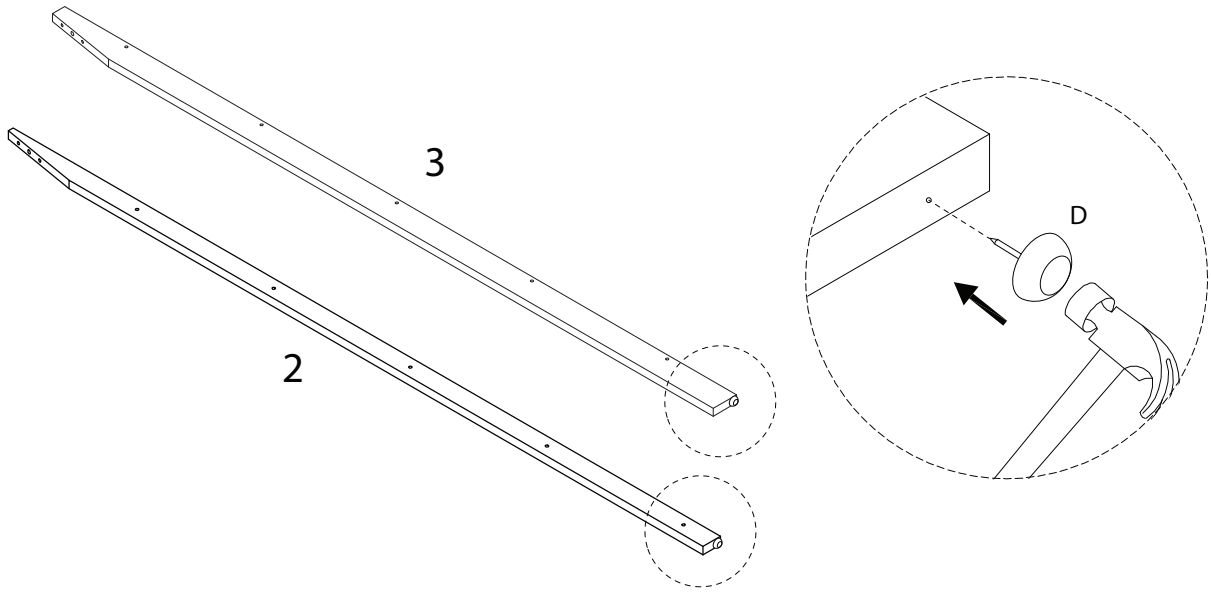


3

2
x1

3
x1

D
x2

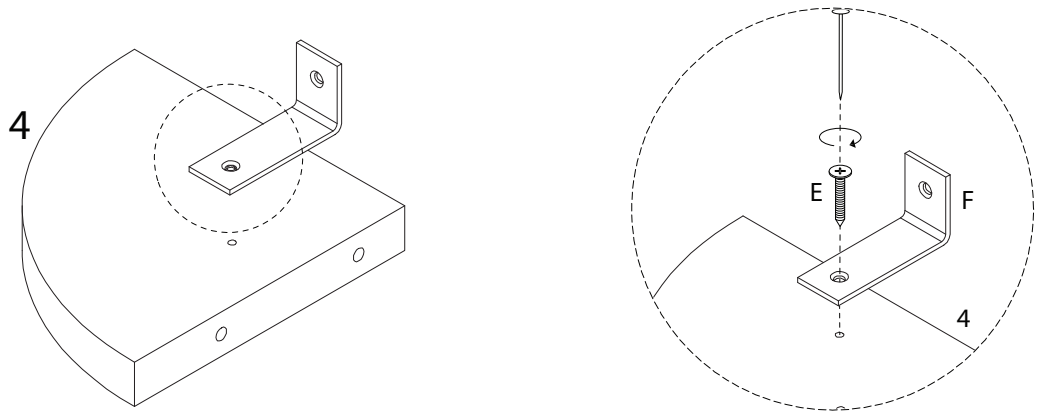


4

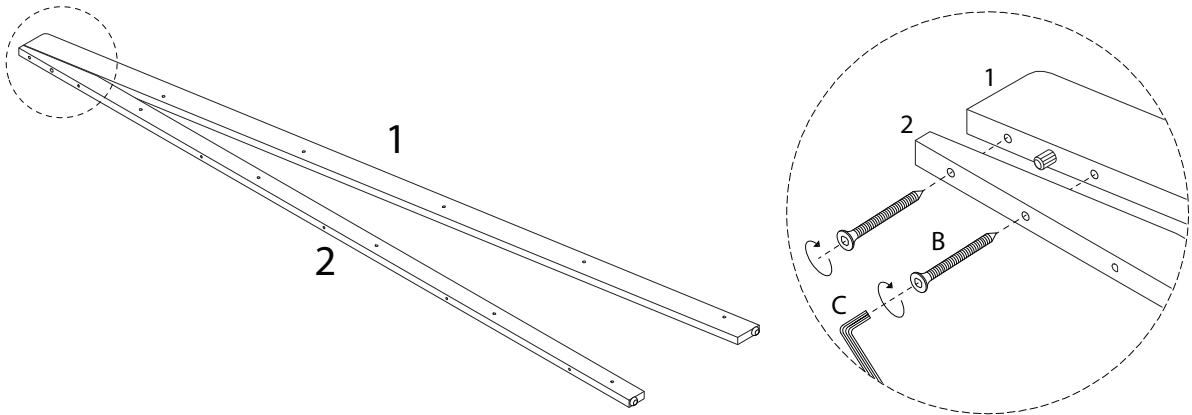
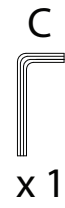
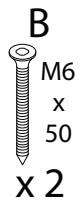
4
x1

E
M3.5
x
16
x1

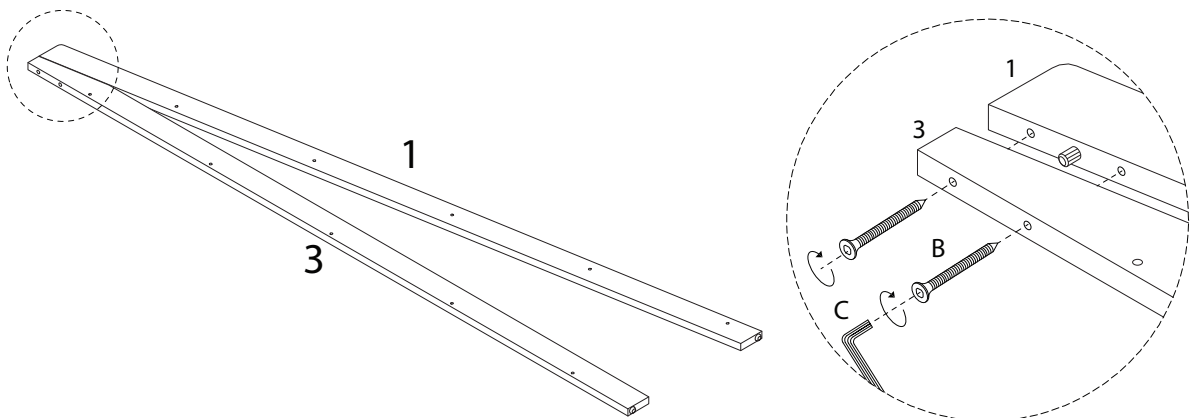
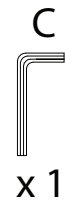
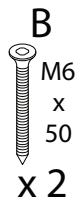
F
x1



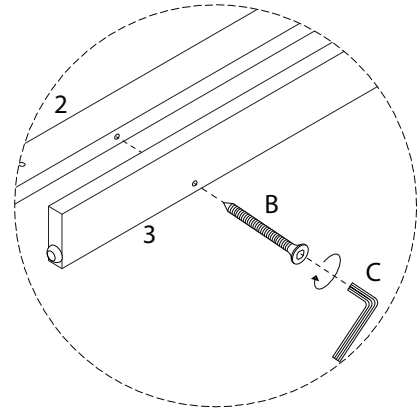
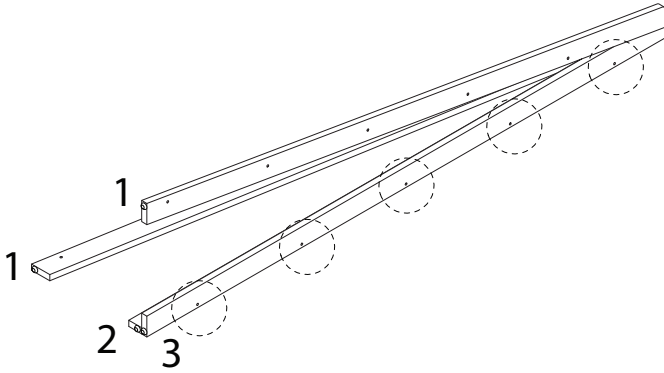
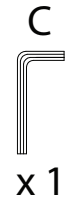
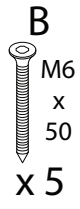
5



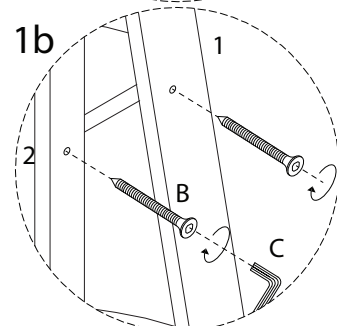
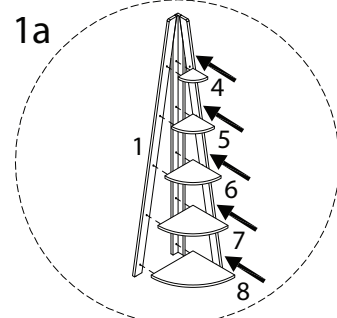
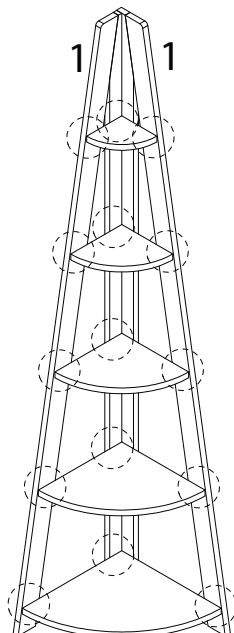
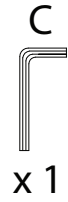
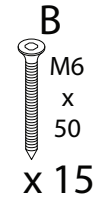
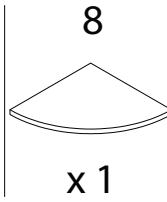
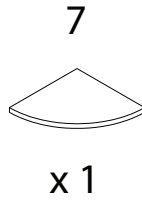
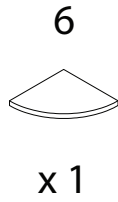
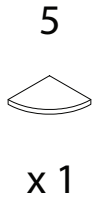
6



7



8



!

