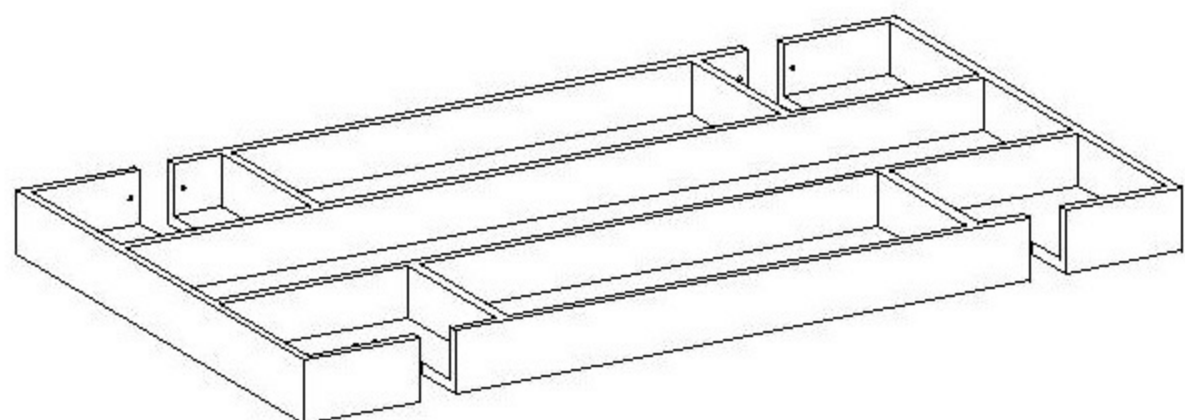


ASSEMBLY INSTRUCTION

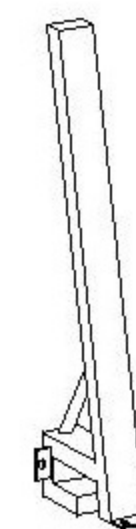
DINING TABLE

QJ-440R1-DT

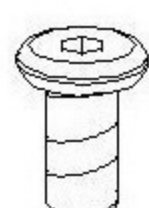
1-1x



2-4x



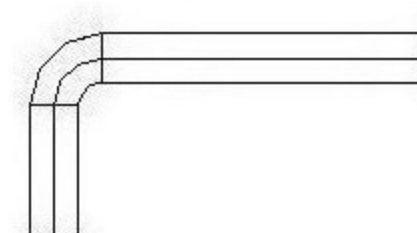
A-16x



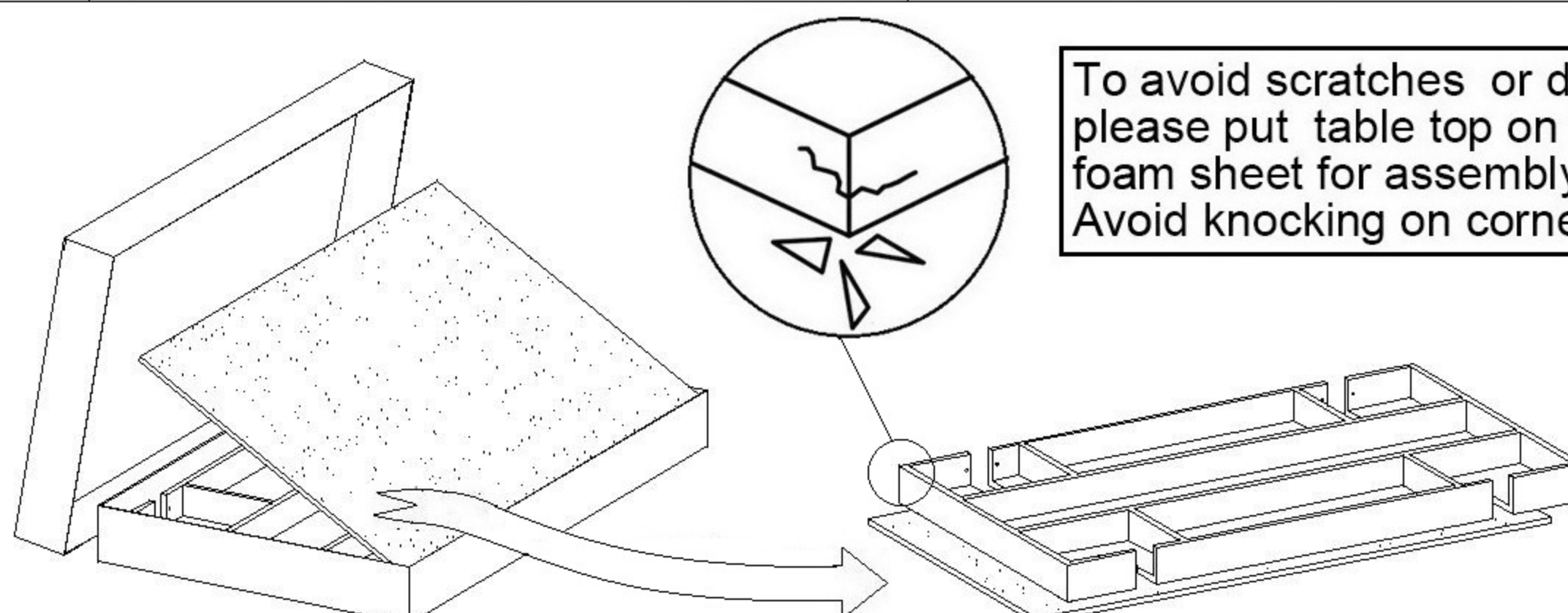
B-16x



C-1x

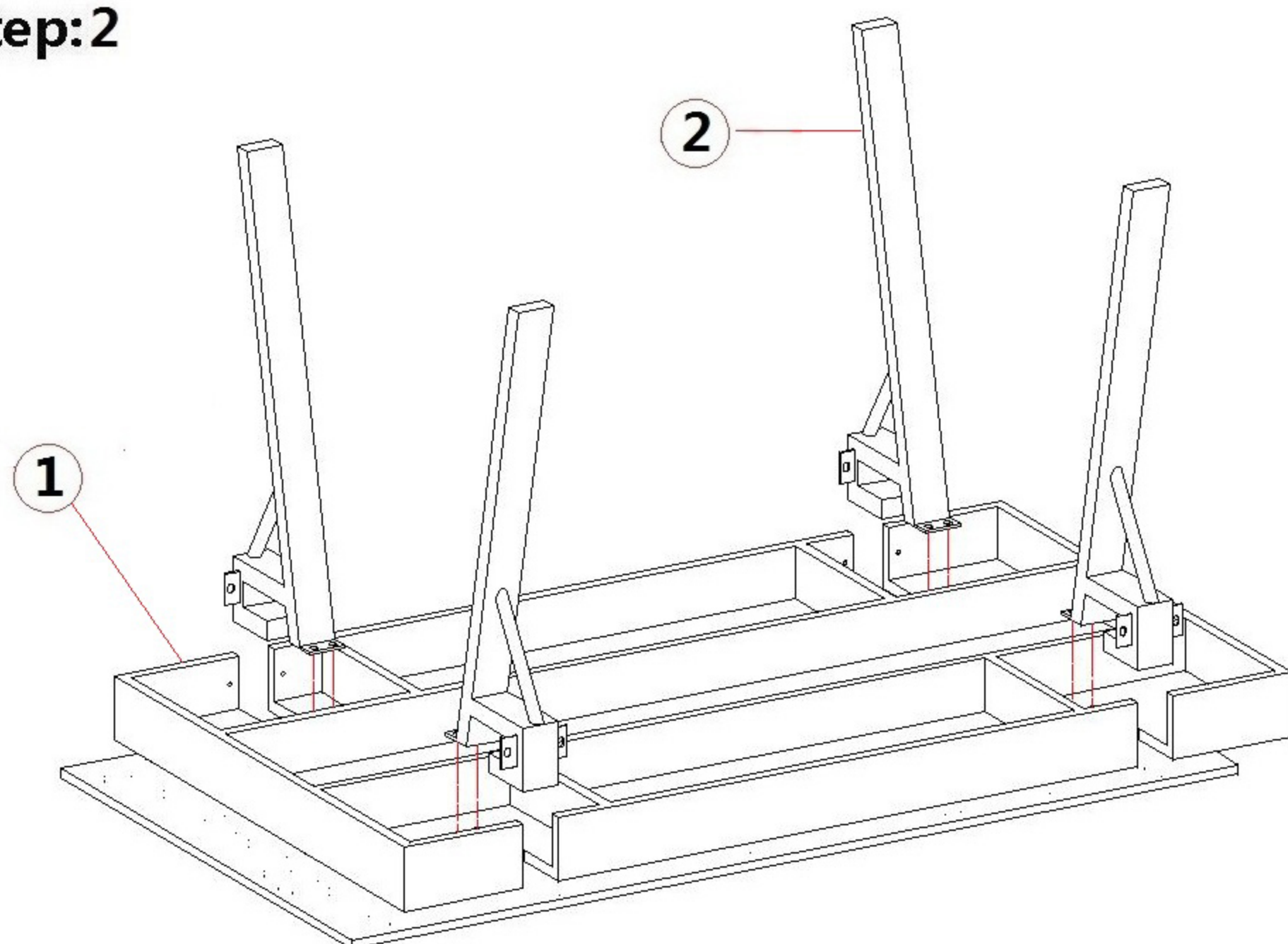


Step:1

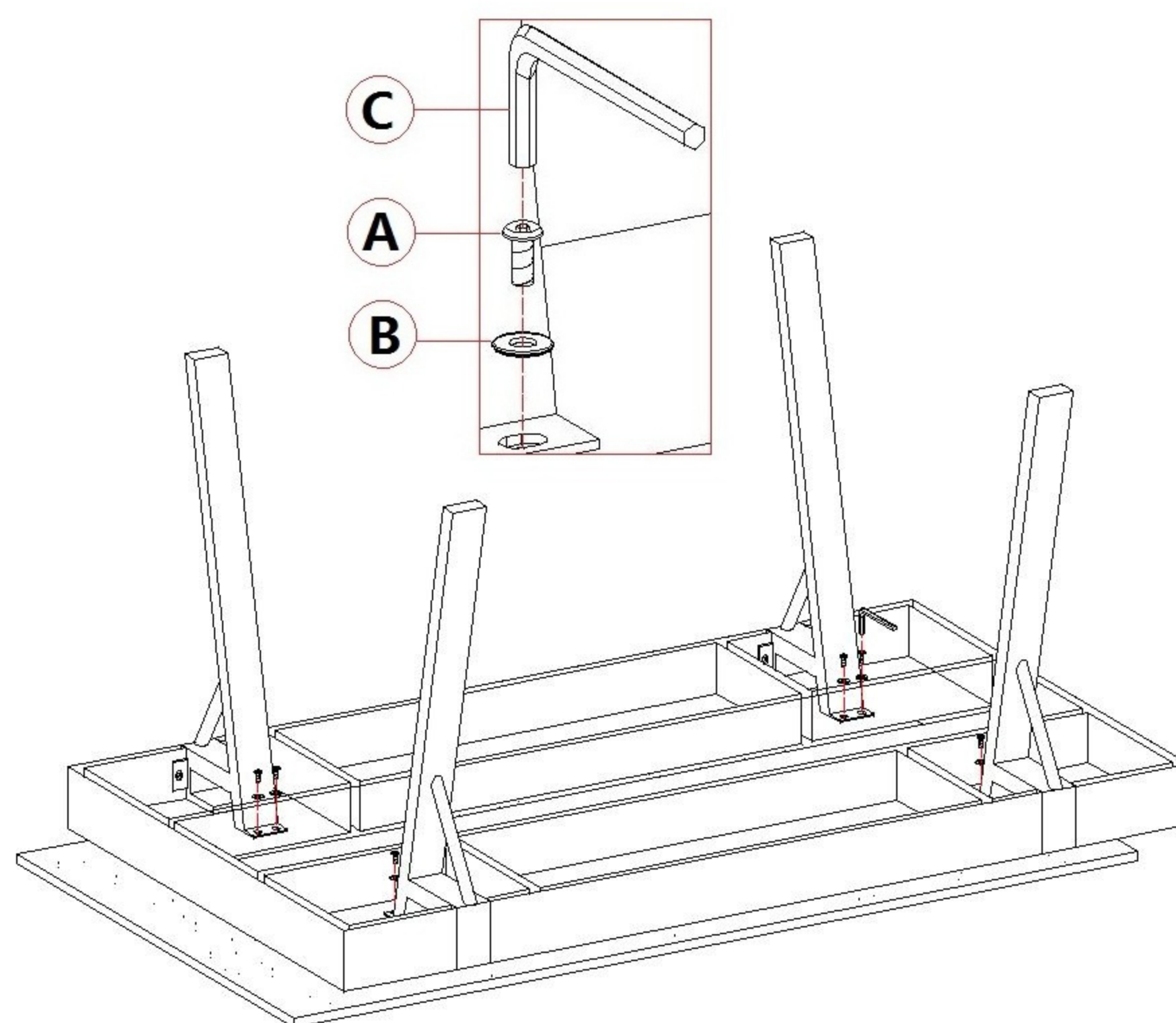


To avoid scratches or damages, please put table top on the white foam sheet for assembly works. Avoid knocking on corners or edges.

Step:2

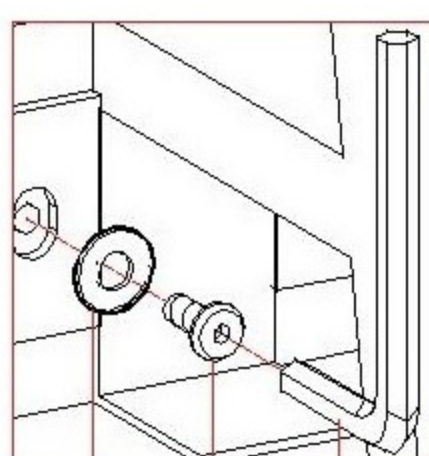


Step:3



Step:4

Please keep all screws loose and tighten TOGETHER after all parts are assembled to the correct positions.



B A C

