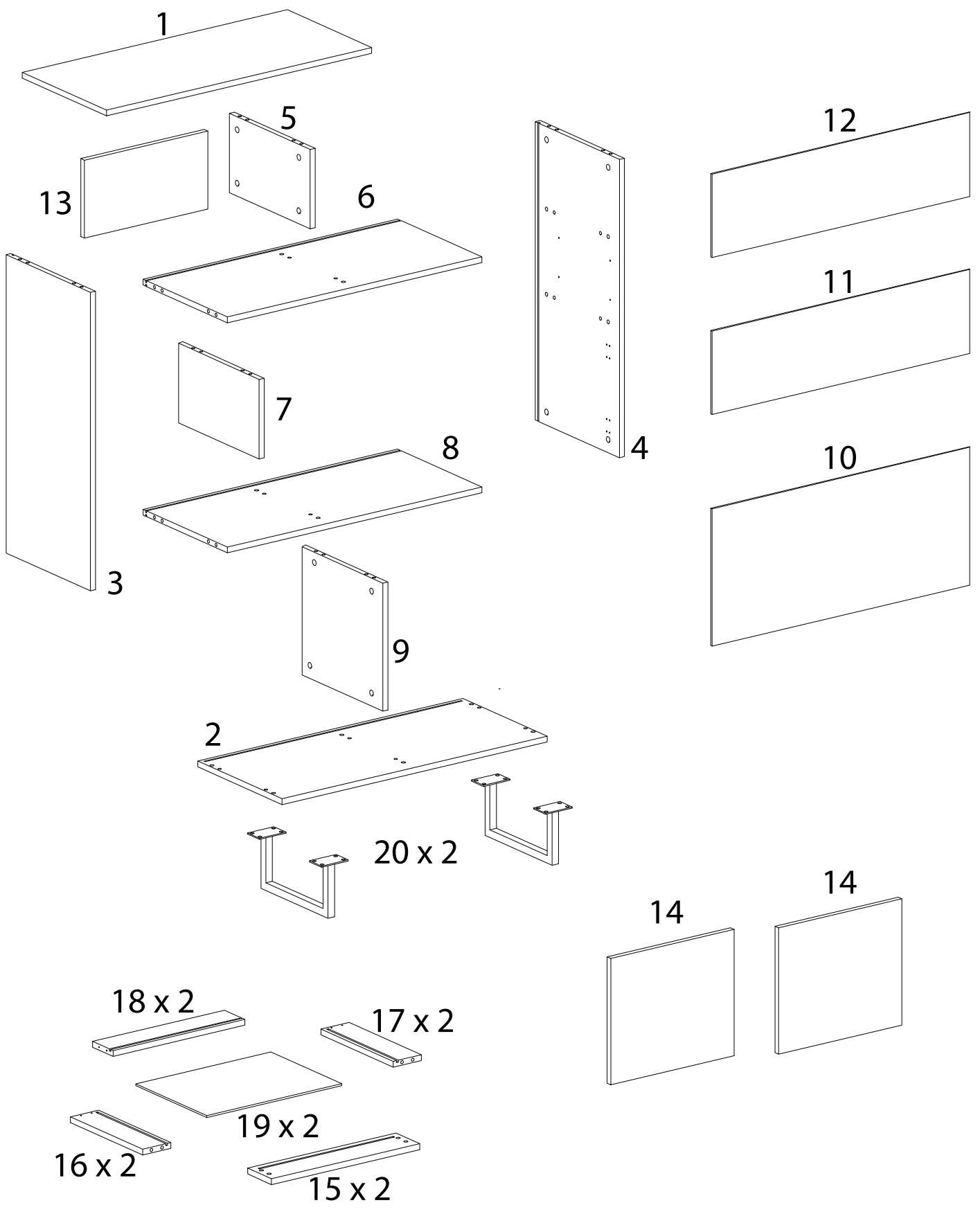
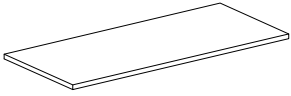
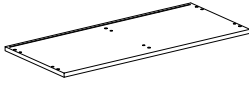

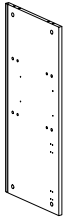
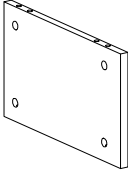
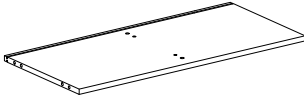
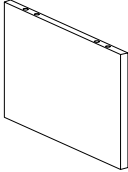
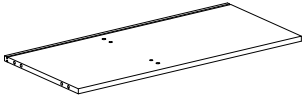
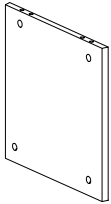
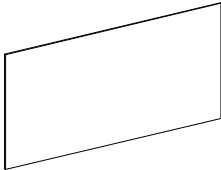
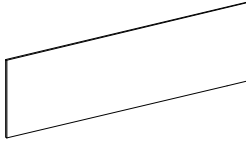
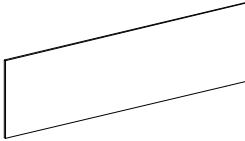
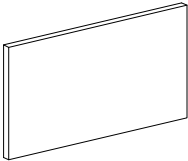
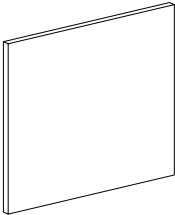
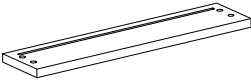
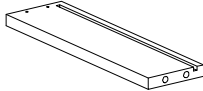
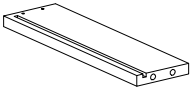
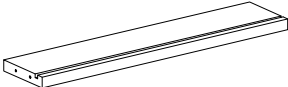
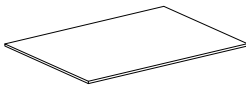
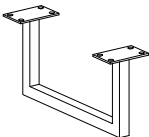

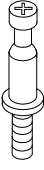
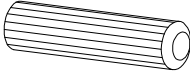
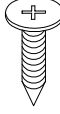
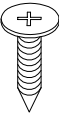


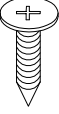
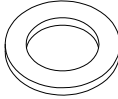

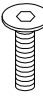
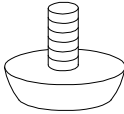
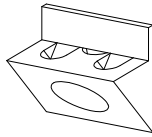
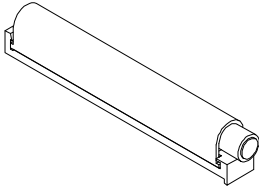
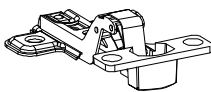



Assembly instructions for step 1:

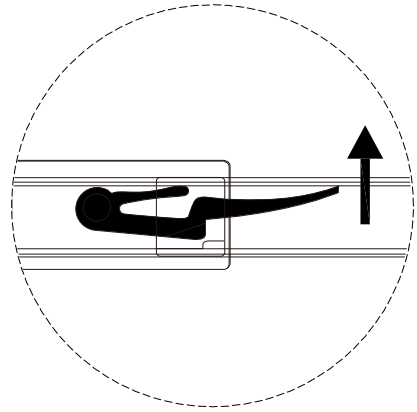
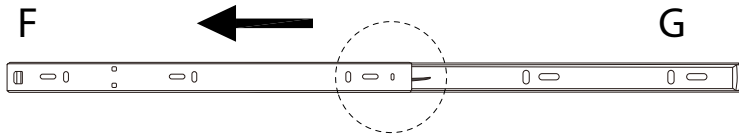
- Tools: A screwdriver and an L-shaped Allen key are shown in a circle. A power drill is shown with a diagonal line through it, indicating it should not be used.
- Warning: A triangle with an exclamation mark indicates a warning.
- Time: A clock icon indicates a 90-minute assembly time.
- Personnel: A person icon and the number '1' indicate that one person is required for assembly.



<p>1</p>  <p>x 1</p>	<p>2</p>  <p>x 1</p>	<p>3</p>  <p>x 1</p>	<p>4</p>  <p>x 1</p>
<p>5</p>  <p>x 1</p>	<p>6</p>  <p>x 1</p>	<p>7</p>  <p>x 1</p>	<p>8</p>  <p>x 1</p>
<p>9</p>  <p>x 1</p>	<p>10</p>  <p>x 1</p>	<p>11</p>  <p>x 1</p>	<p>12</p>  <p>x 1</p>
<p>13</p>  <p>x 1</p>	<p>14</p>  <p>x 2</p>	<p>15</p>  <p>x 2</p>	<p>16</p>  <p>x 2</p>
<p>17</p>  <p>x 2</p>	<p>18</p>  <p>x 2</p>	<p>19</p>  <p>x 2</p>	<p>20</p>  <p>x 2</p>

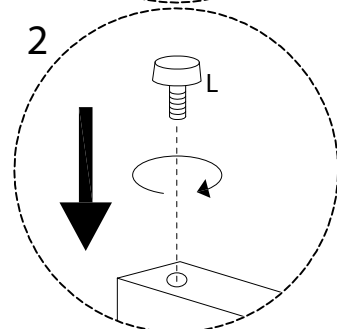
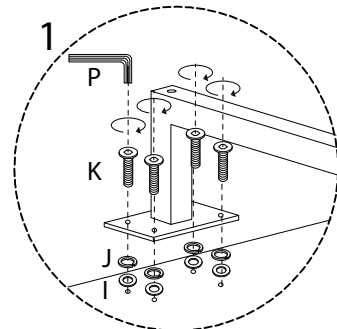
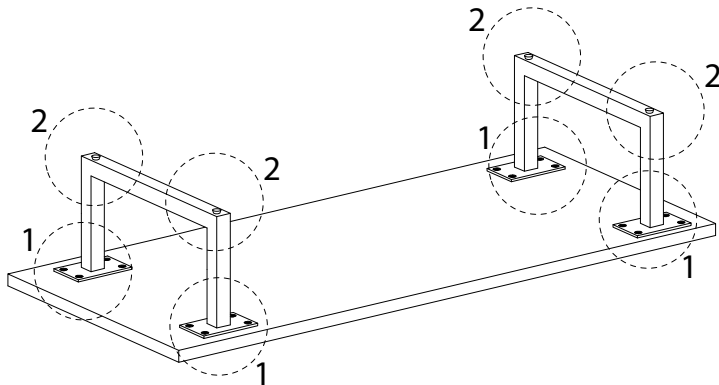
<p style="text-align: center;">A</p>  <p style="text-align: center;">x 36</p>	<p style="text-align: center;">B</p>  <p style="text-align: center;">x 36</p>	<p style="text-align: center;">C</p>  <p style="text-align: center;">x 28</p>	<p style="text-align: center;">D</p>  <p style="text-align: center;">M3.5 x 14</p> <p style="text-align: center;">x 58</p>
<p style="text-align: center;">E</p>  <p style="text-align: center;">M3.5 x 16</p> <p style="text-align: center;">x 4</p>	<p style="text-align: center;">F</p>  <p style="text-align: center;">x 4</p>	<p style="text-align: center;">G</p>  <p style="text-align: center;">x 4</p>	
<p style="text-align: center;">H</p>  <p style="text-align: center;">M3.5 x 35</p> <p style="text-align: center;">x 8</p>	<p style="text-align: center;">I</p>  <p style="text-align: center;">x 16</p>	<p style="text-align: center;">J</p>  <p style="text-align: center;">x 16</p>	
<p style="text-align: center;">K</p>  <p style="text-align: center;">M6 x 16</p> <p style="text-align: center;">x 16</p>	<p style="text-align: center;">L</p>  <p style="text-align: center;">x 4</p>	<p style="text-align: center;">M</p>  <p style="text-align: center;">x 4</p>	
<p style="text-align: center;">N</p>  <p style="text-align: center;">x 3</p>	<p style="text-align: center;">O</p>  <p style="text-align: center;">x 6</p>	<p style="text-align: center;">P</p>  <p style="text-align: center;">x 1</p>	

!



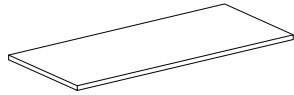
1

2 x 1	20 x 2	I x 16	J x 16	K M6 x 16 x 16	L x 4	P x 1
---------------------	----------------------	----------------------	----------------------	---------------------------------------	---------------------	---------------------



2

1

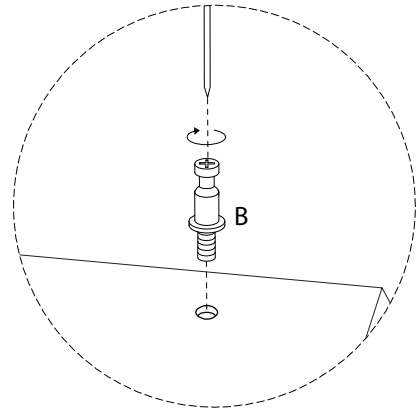
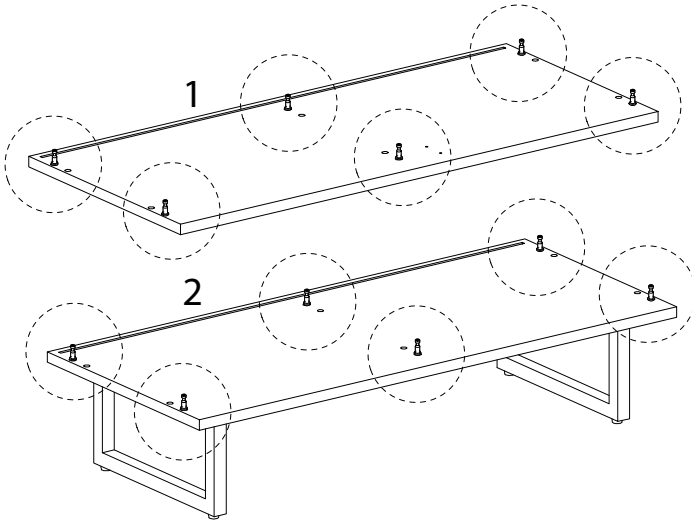


x 1

B

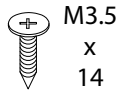


x 12



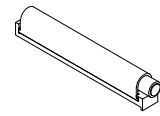
3

D

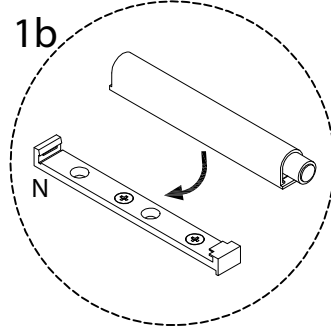
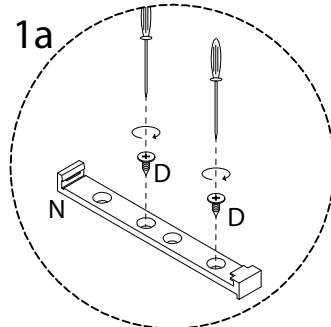
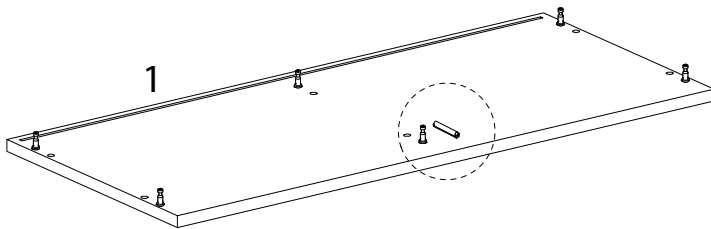


x 2

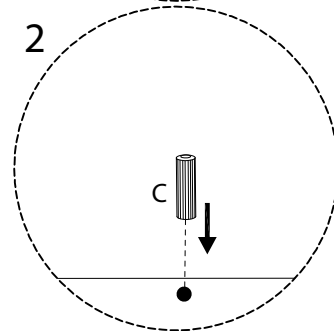
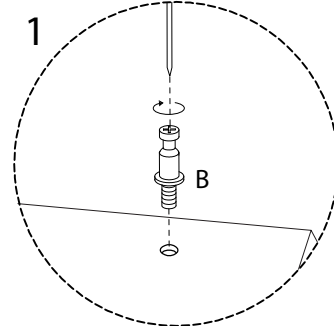
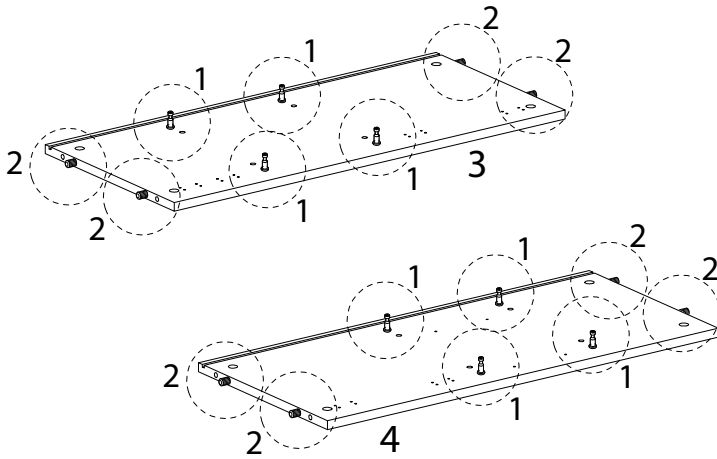
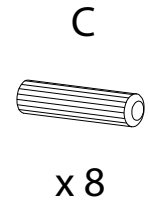
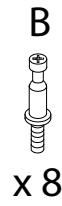
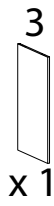
N



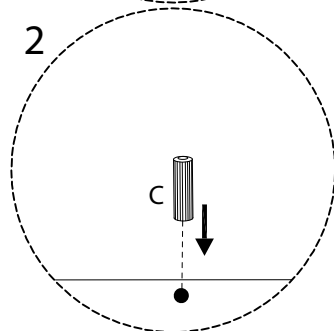
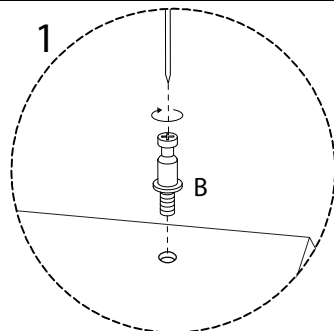
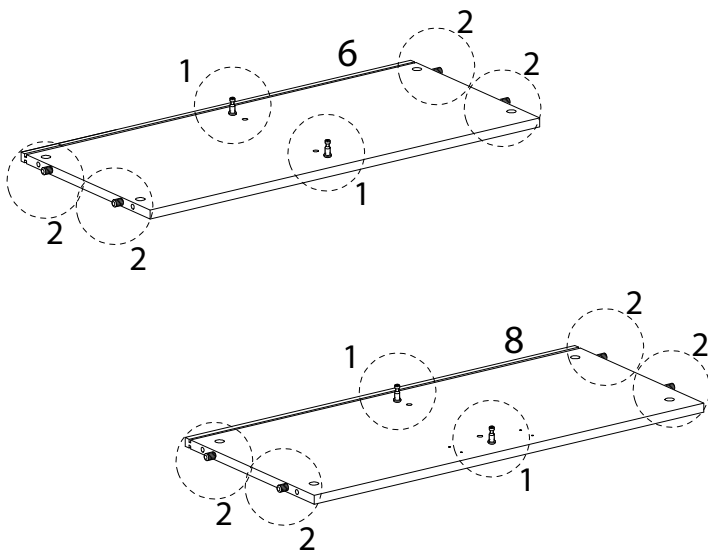
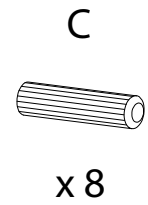
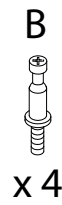
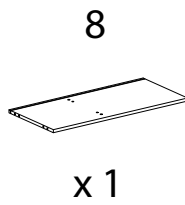
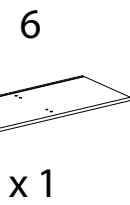
x 1



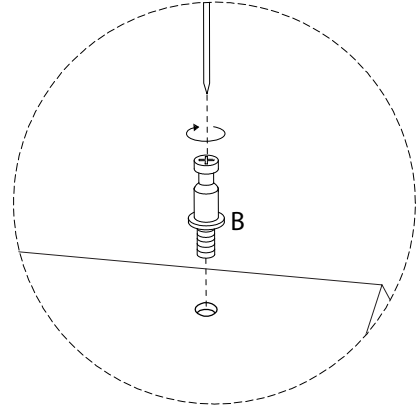
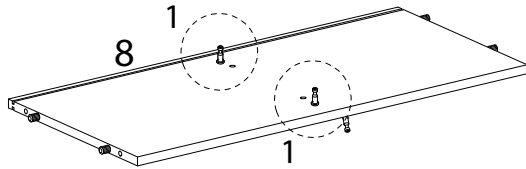
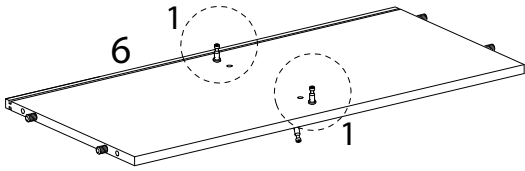
4



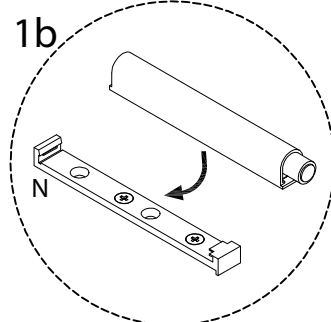
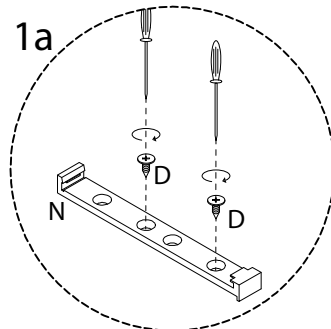
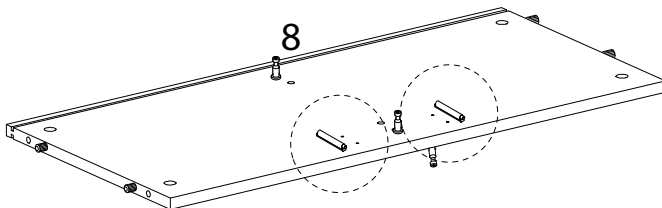
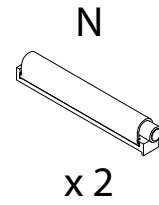
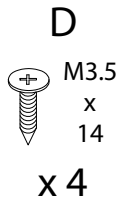
5



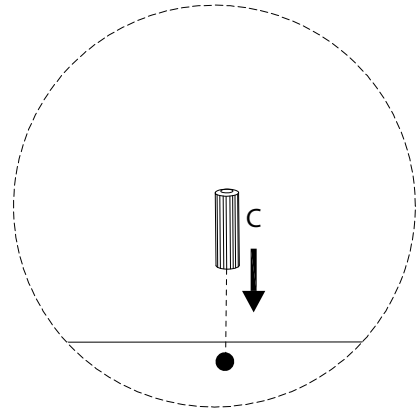
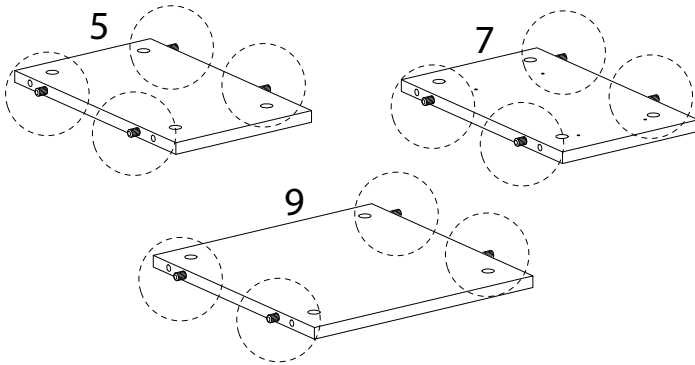
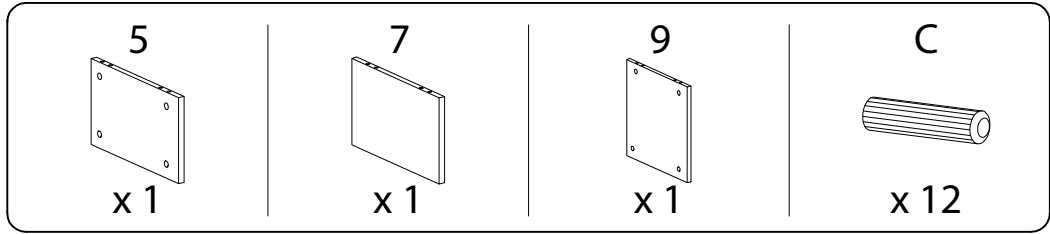
6



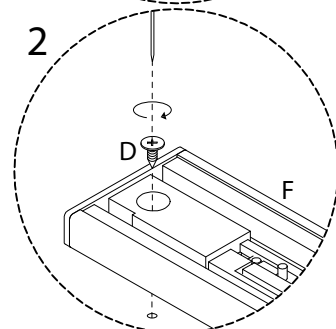
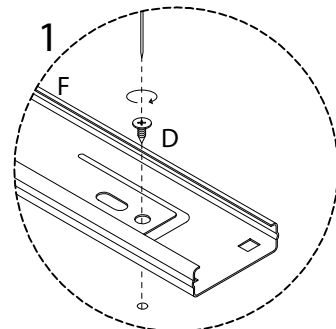
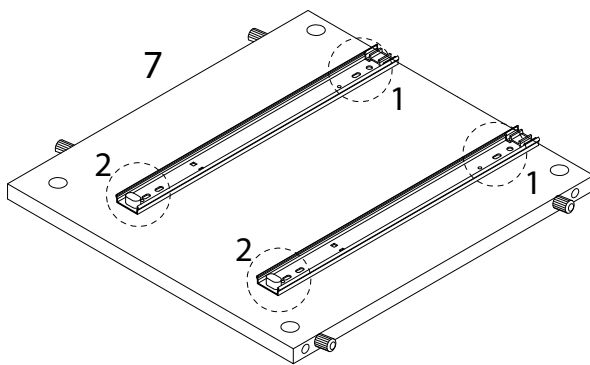
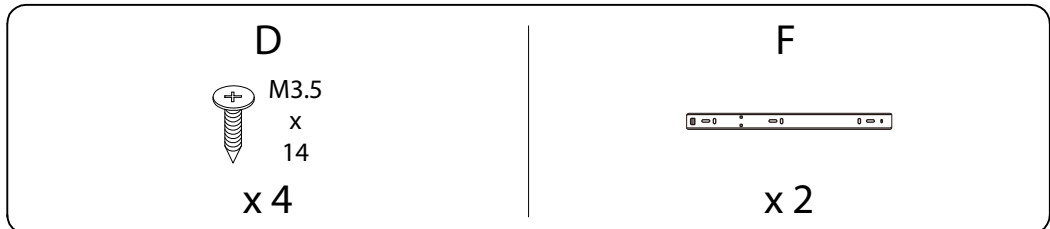
7



8

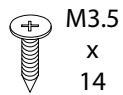


9



10

D

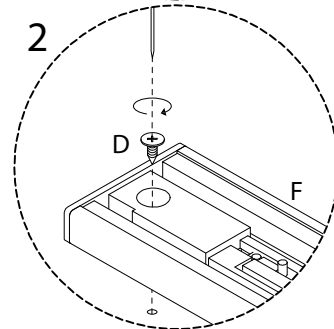
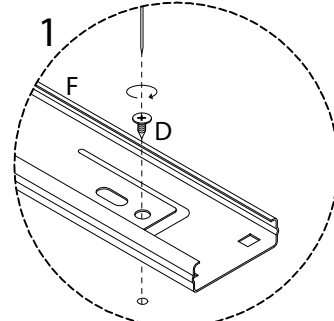
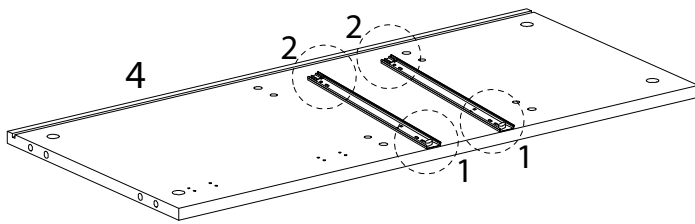


x 4

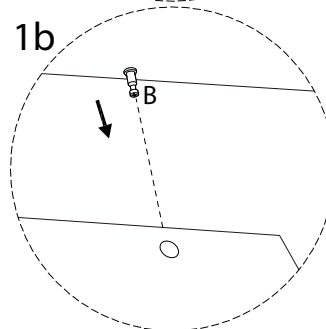
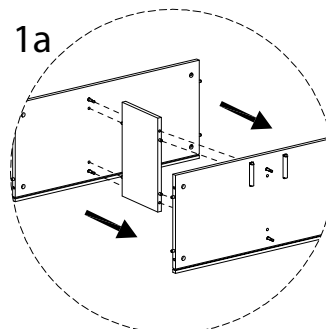
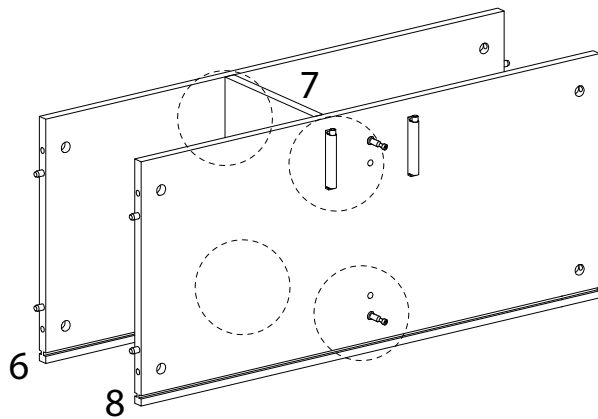
F



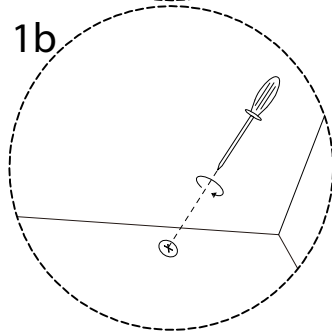
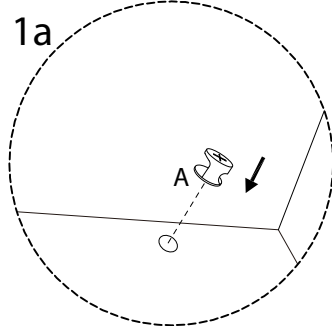
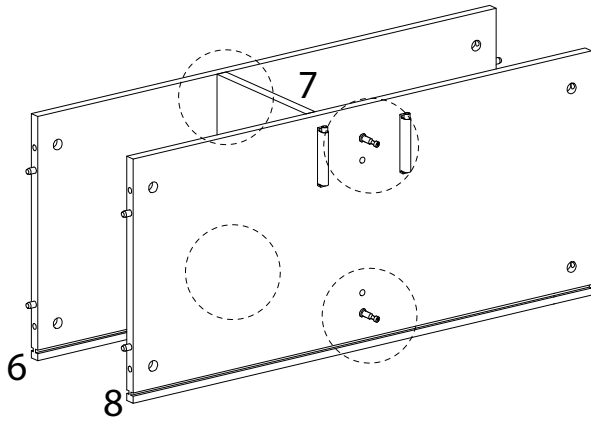
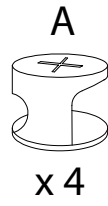
x 2



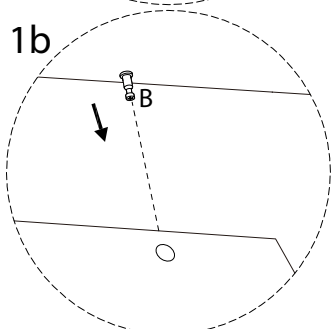
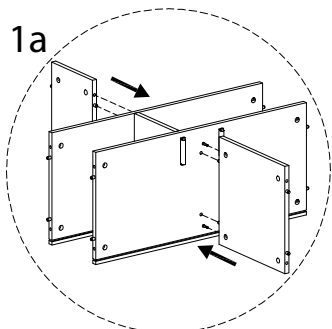
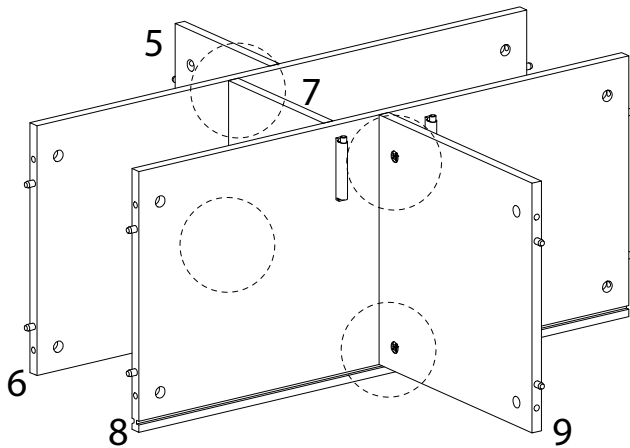
11



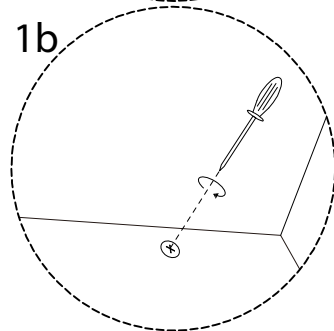
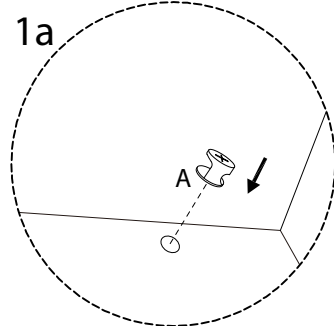
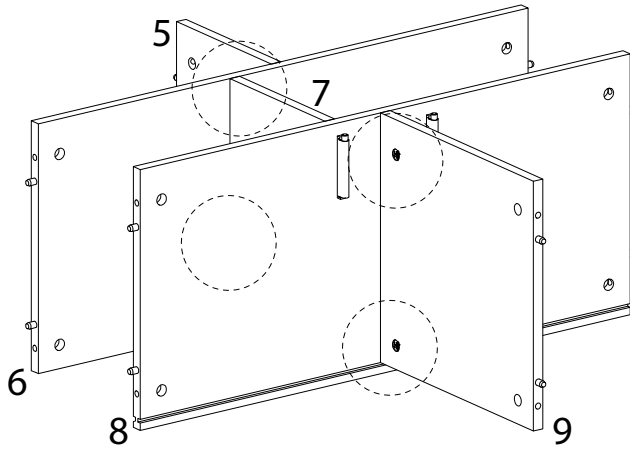
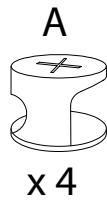
12



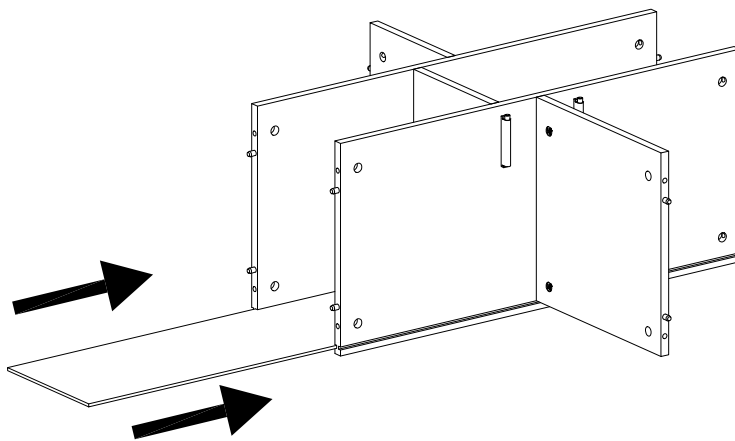
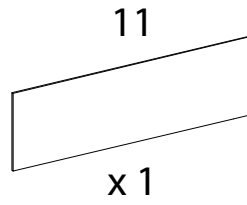
13



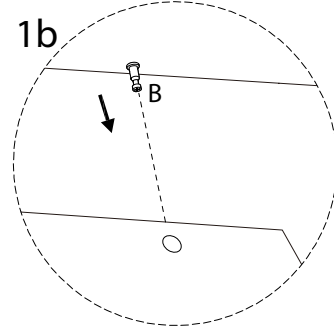
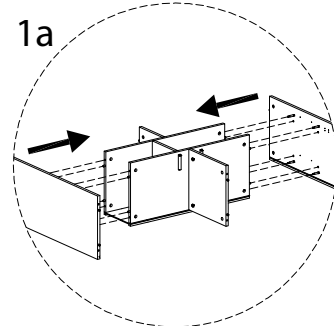
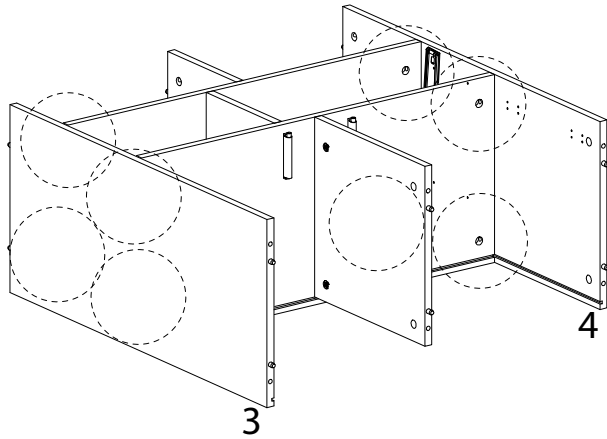
14



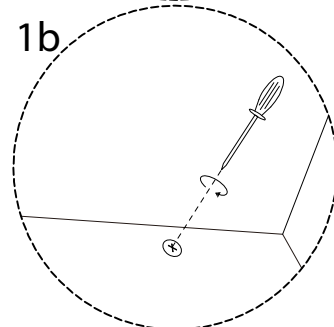
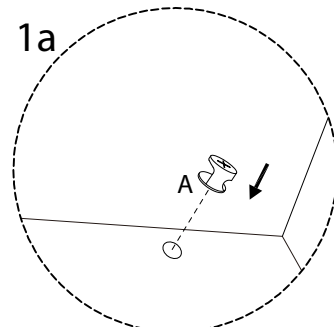
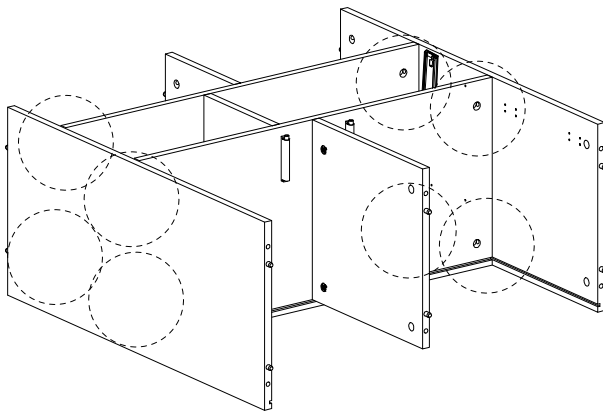
15



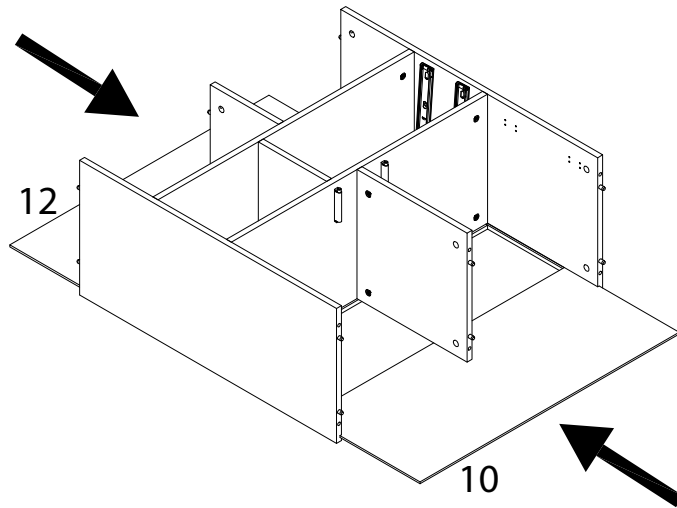
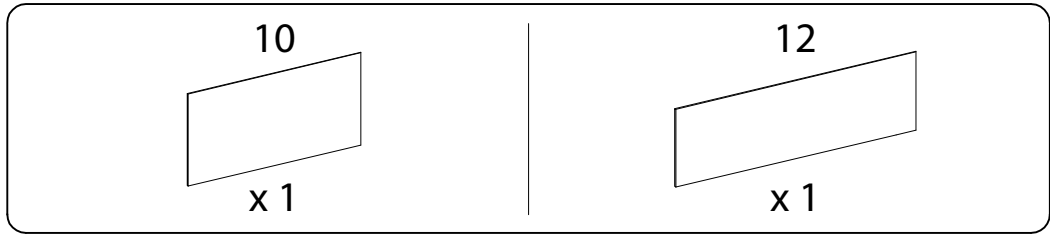
16



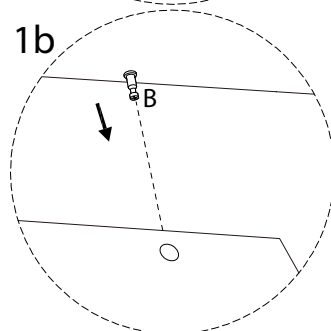
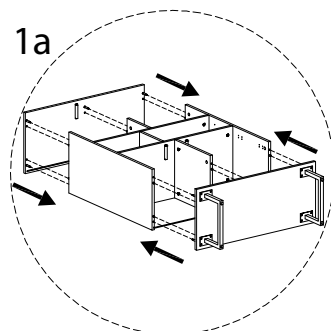
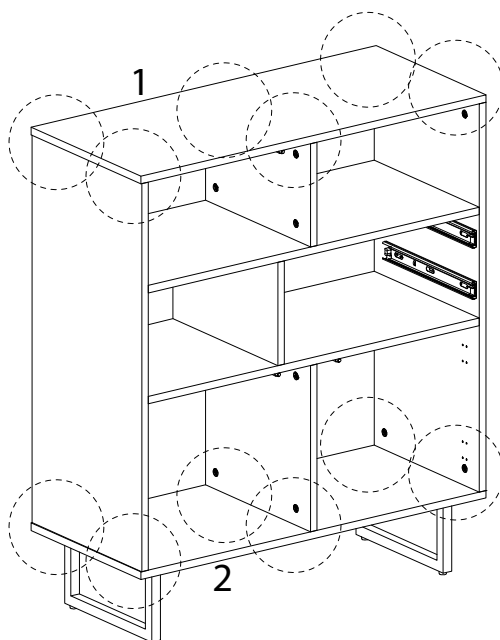
17



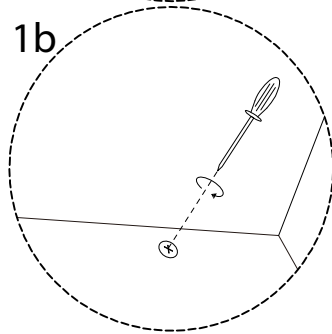
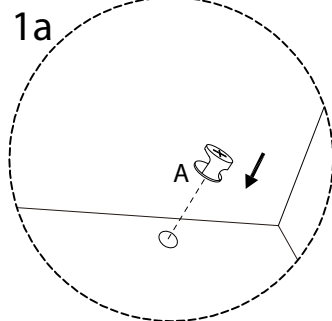
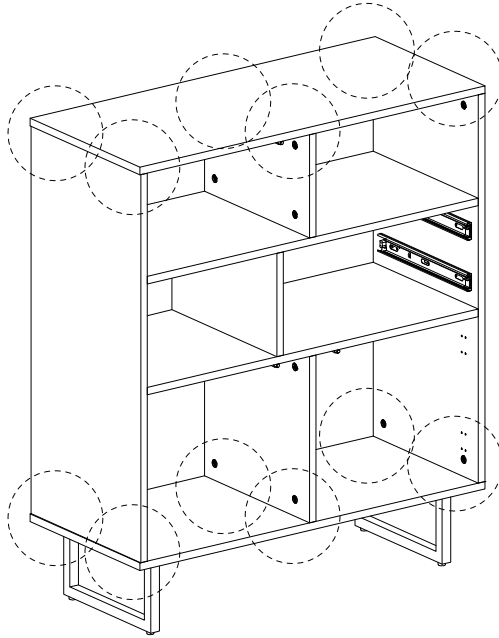
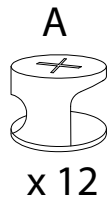
18



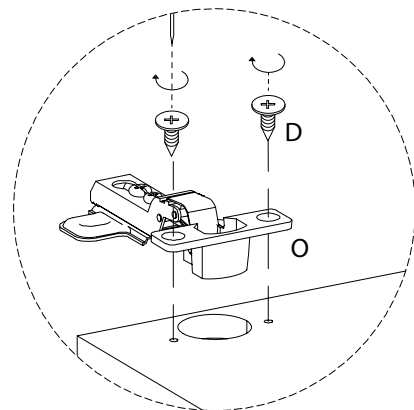
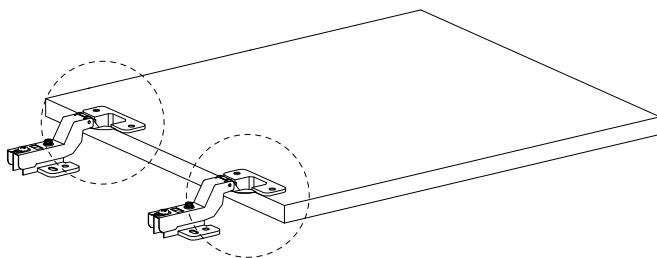
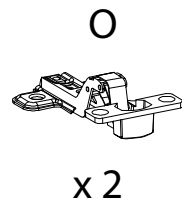
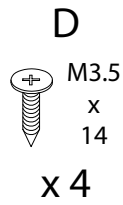
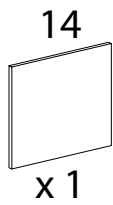
19




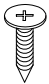

20

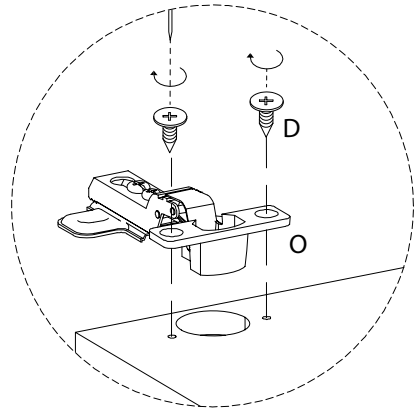
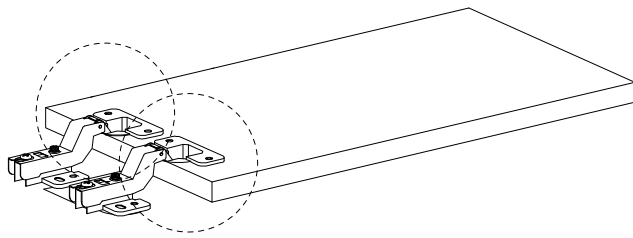


21 x 2




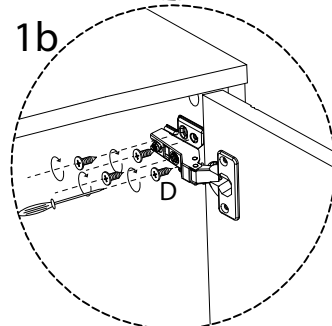
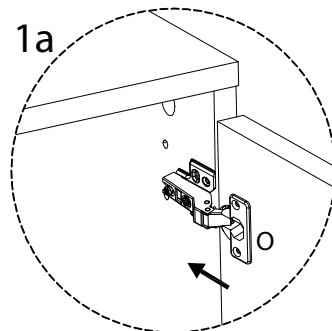
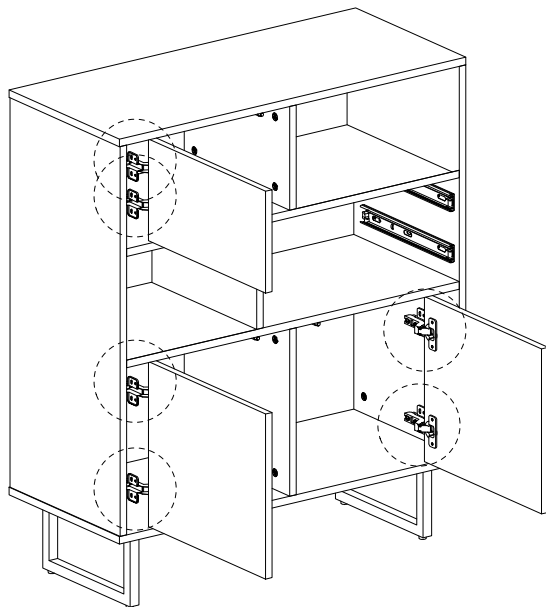
22

<p>13</p>  <p>x 1</p>	<p>D</p>  <p>M3.5 x 14</p> <p>x 4</p>	<p>O</p>  <p>x 2</p>
--	--	---



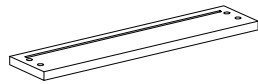
23

<p>D</p>  <p>M3.5 x 14</p> <p>x 24</p>



24 x 2

15

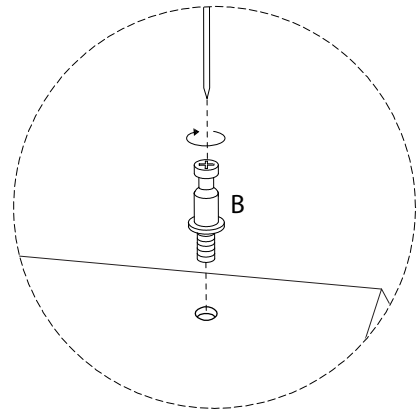
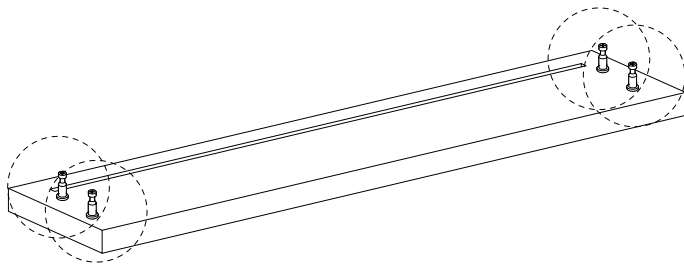


x 1

B

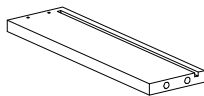


x 4



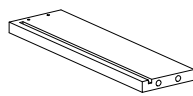
25 x 2

16



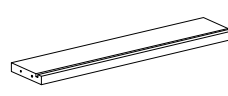
x 1

17



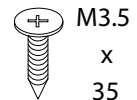
x 1

18

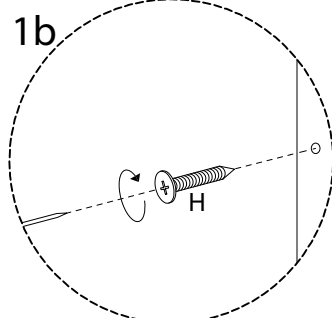
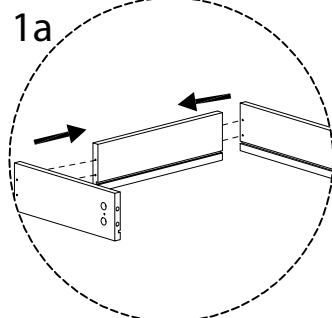
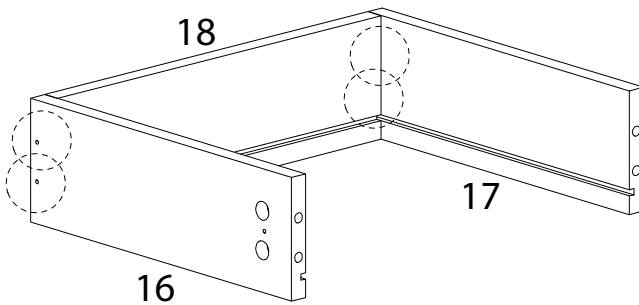


x 1

H

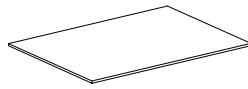


M3.5
x
35
x 4

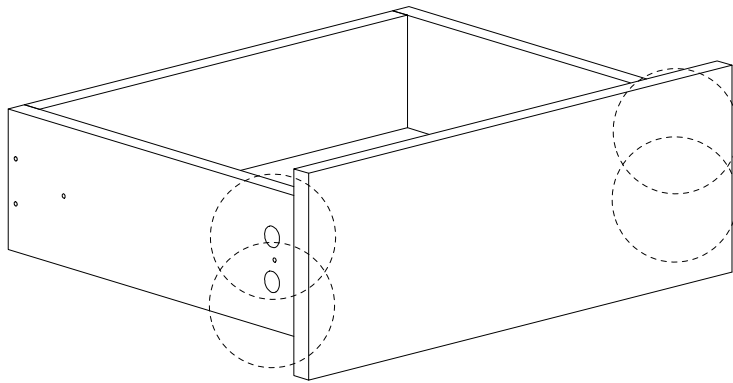


26 x 2

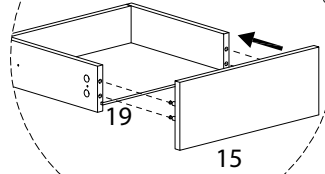
19



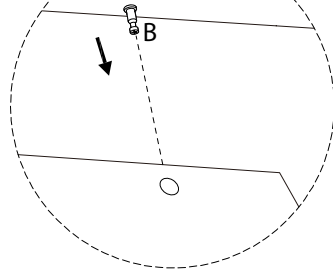
x 1



1a

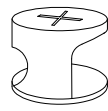


1b

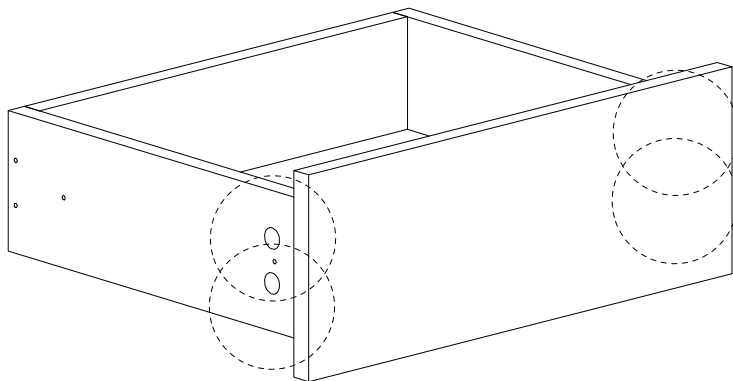


27 x 2

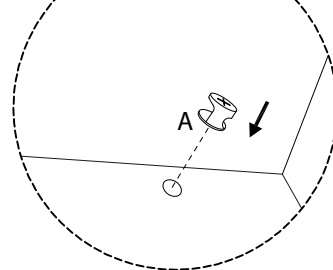
A



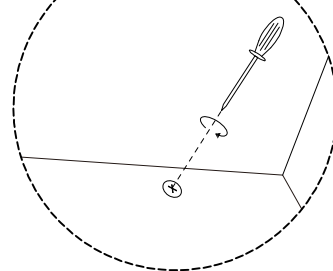
x 4



1a

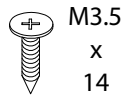


1b



28 x 2

D

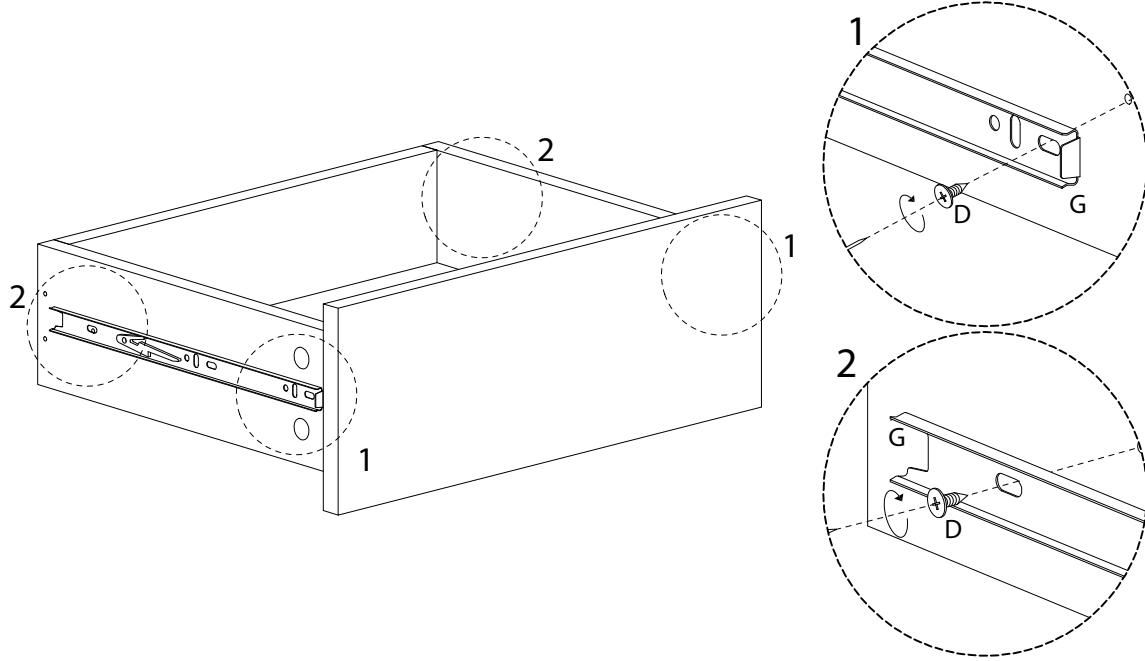


x 4

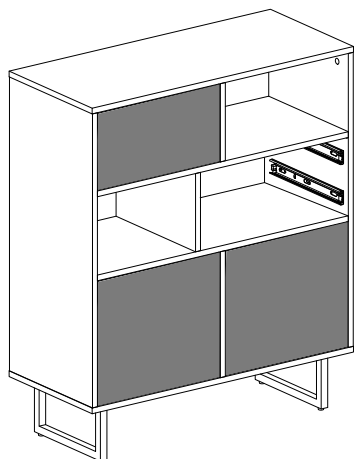
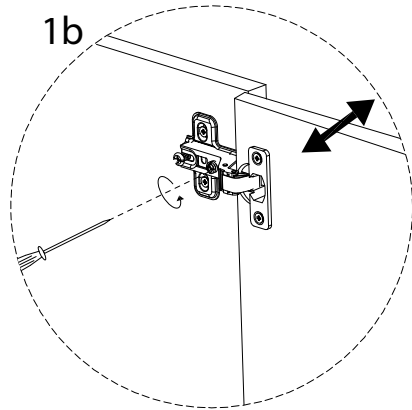
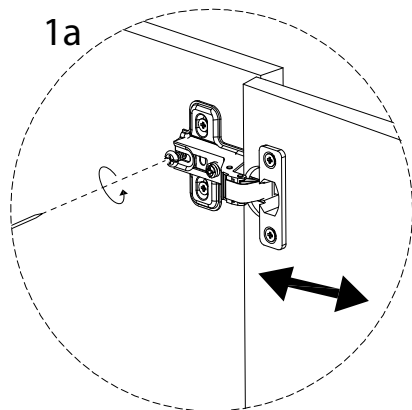
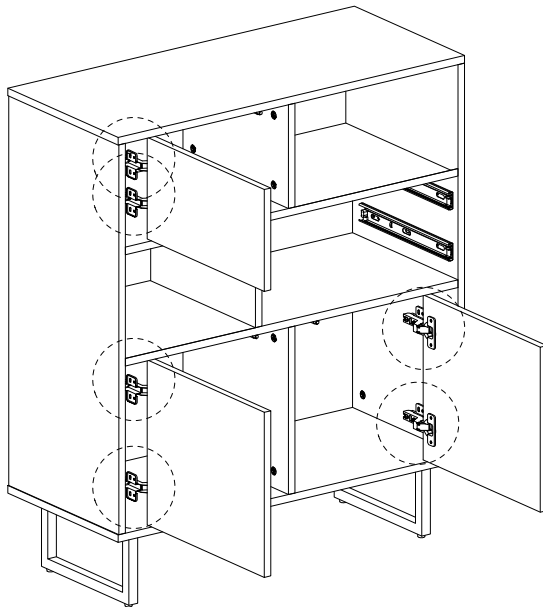
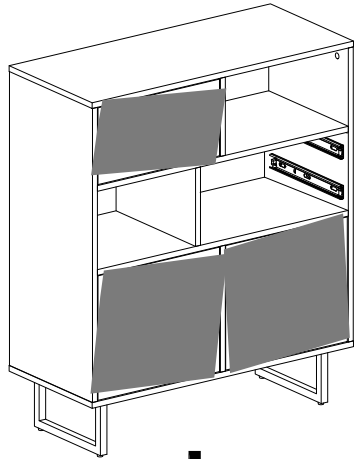
G



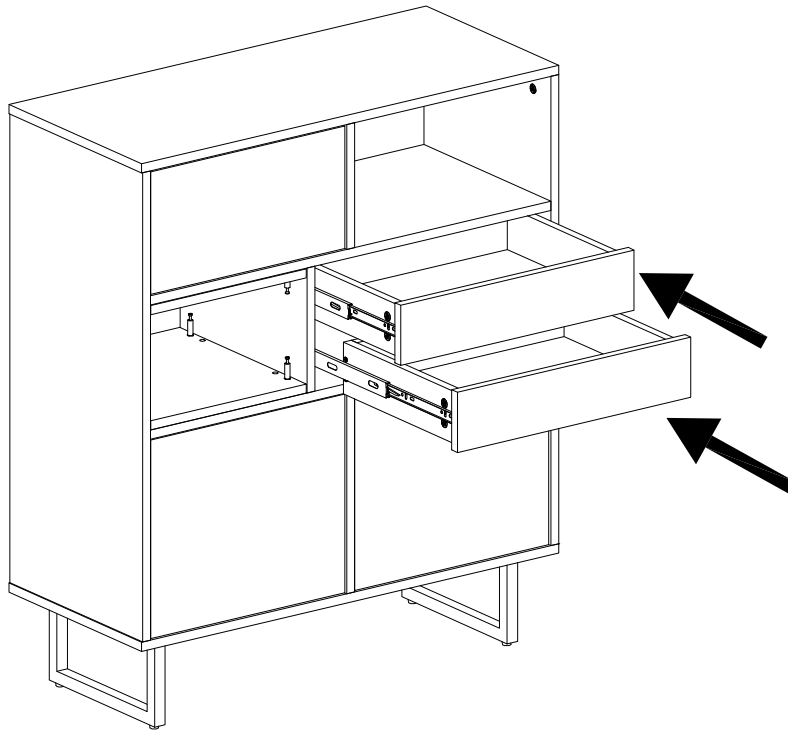
x 2



29



30



31

E
M3.5
x
16
x 4

M
x 4

