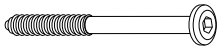

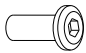




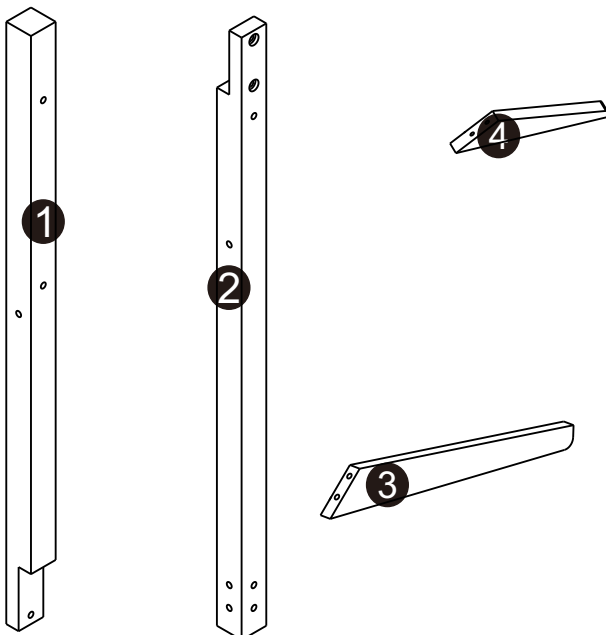




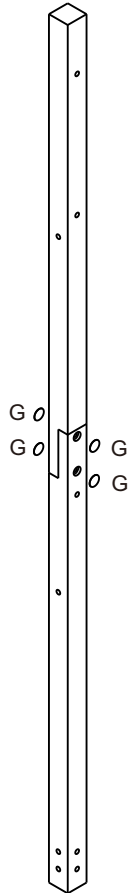
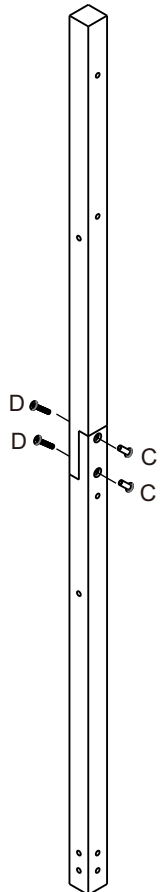
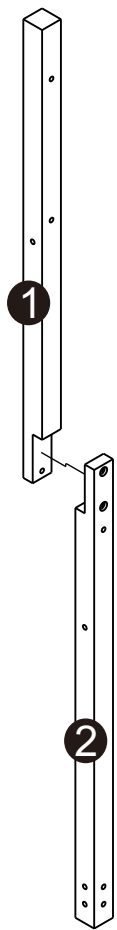
A	 M6*70MM	4
B	 $\phi 8*30MM$	14
C		2
D	 M6*20MM	2
E	 $\phi 4*40MM$	10
F		1
G		4

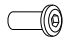
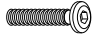



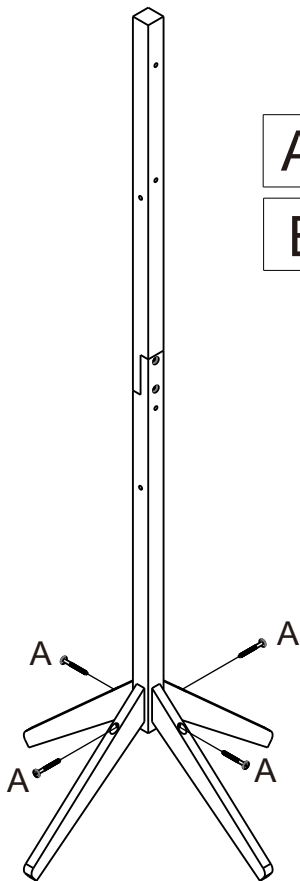
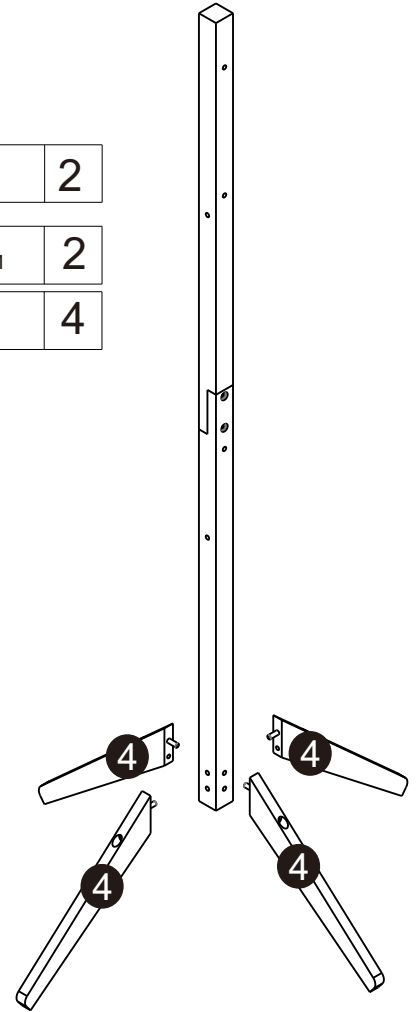
B	 $\phi 8*30MM$	14
---	---	----

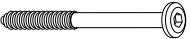
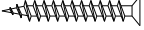
BX10  X10

BX4  X4



C		2
D	 M6*20MM	2
G		4



A	 M6*70MM	4
E	 $\phi 4*40MM$	10

