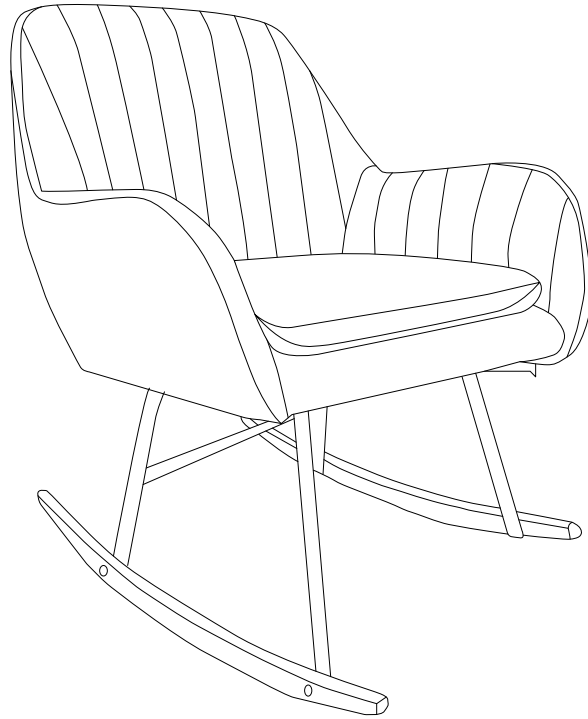


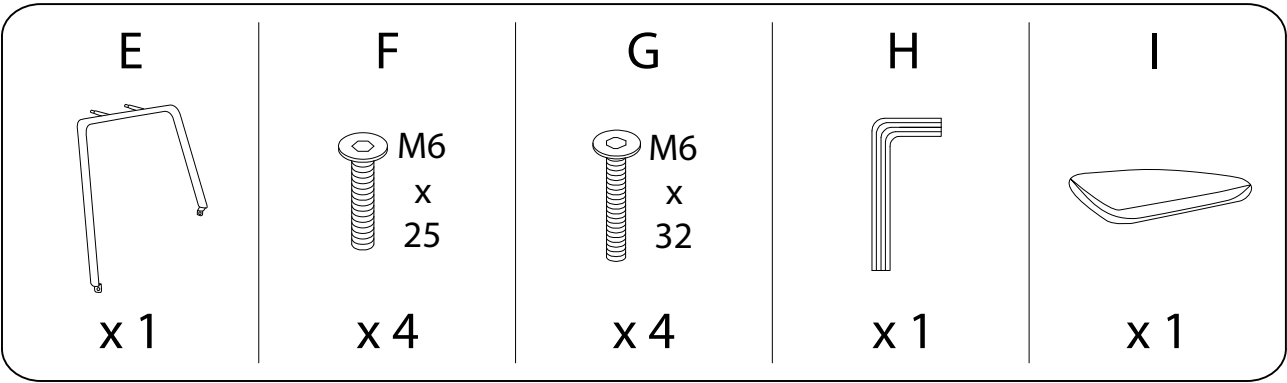
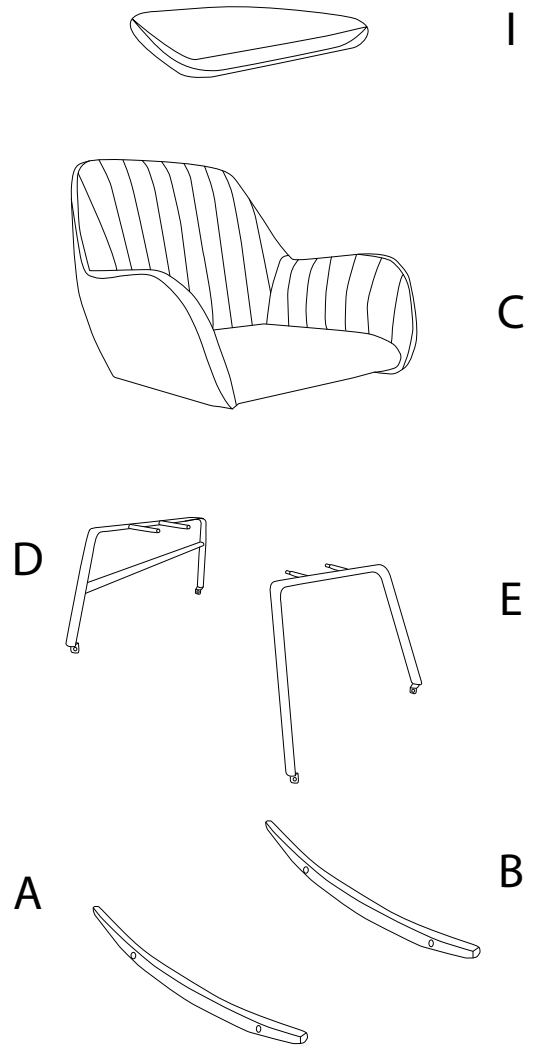
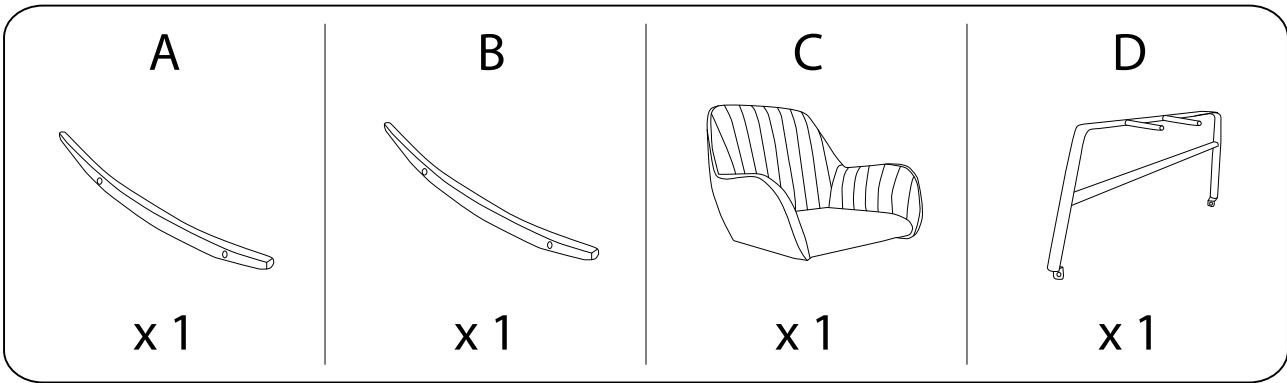
LIARUM



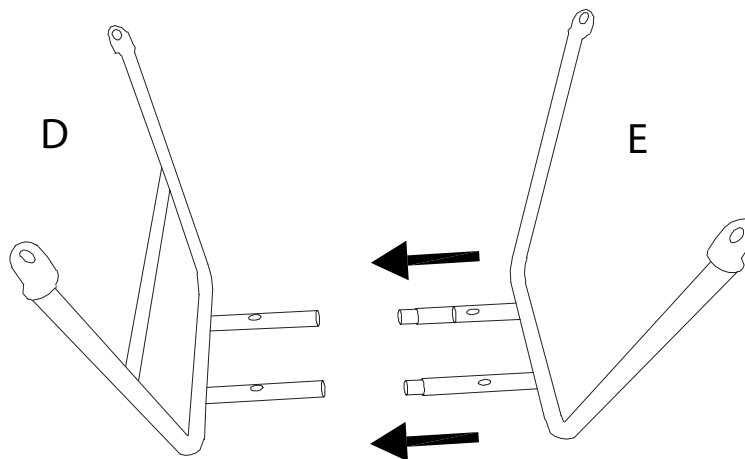
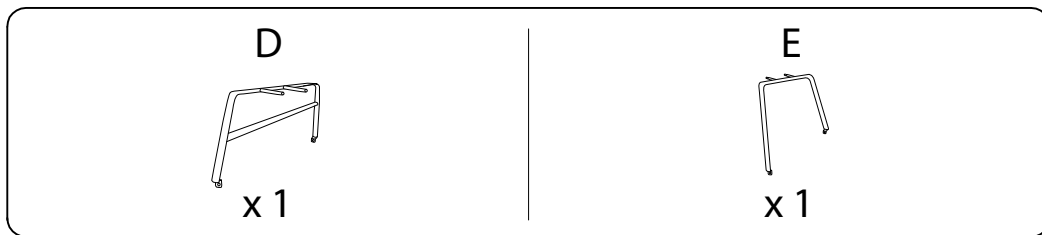


Assembly instructions for step 1/5:

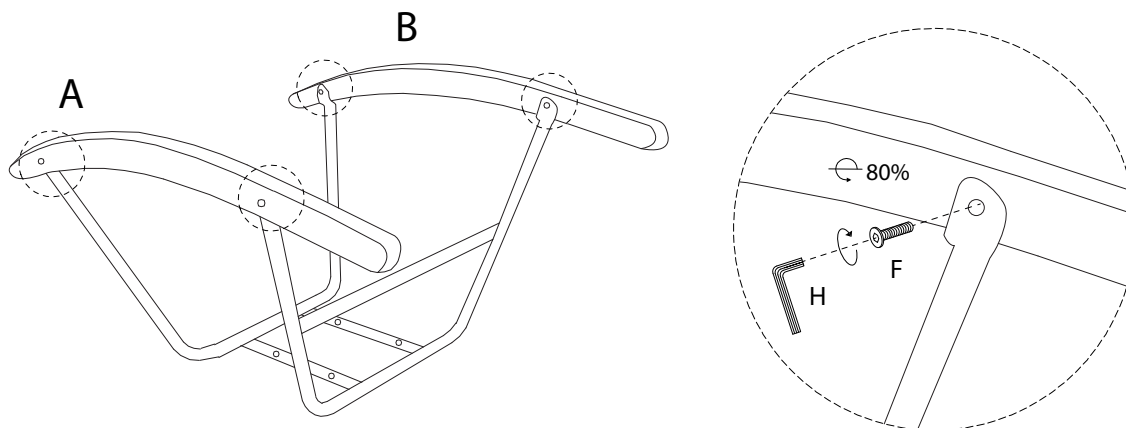
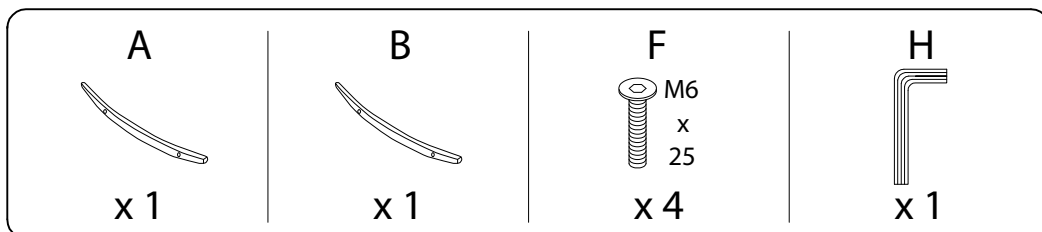
- Warning 1:** Do not use a power drill. Use an Allen key (shown in a circle) to tighten the screws.
- Warning 2:** Do not use a screwdriver to tighten the screws. Use a wooden block (shown in a circle) to support the seat while tightening.
- Time:** 30'
- Personnel:** 1



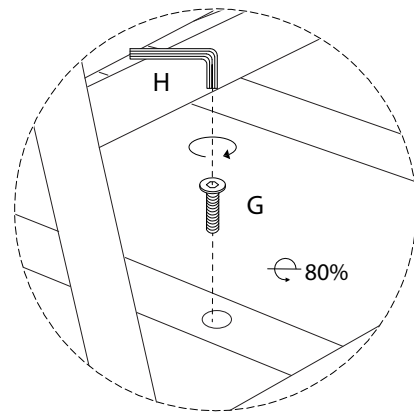
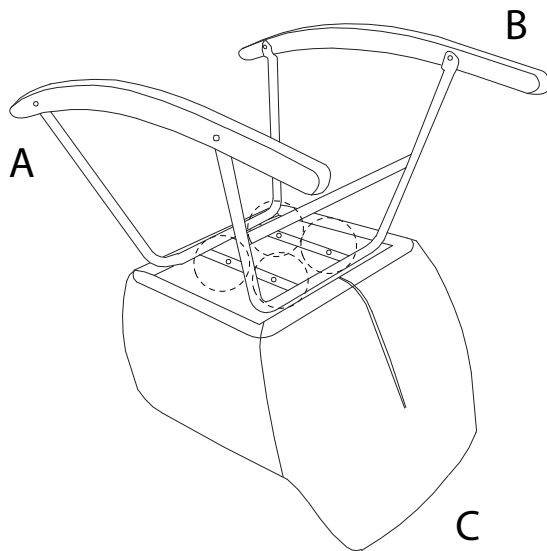
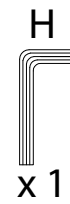
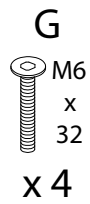
1



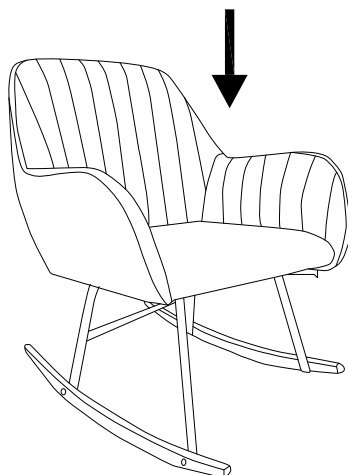
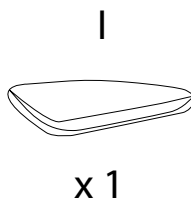
2



3



4



5

H
x 1

