

# SOJAG

produits saisonniers • seasonal products

Sojag code : 500-9162493

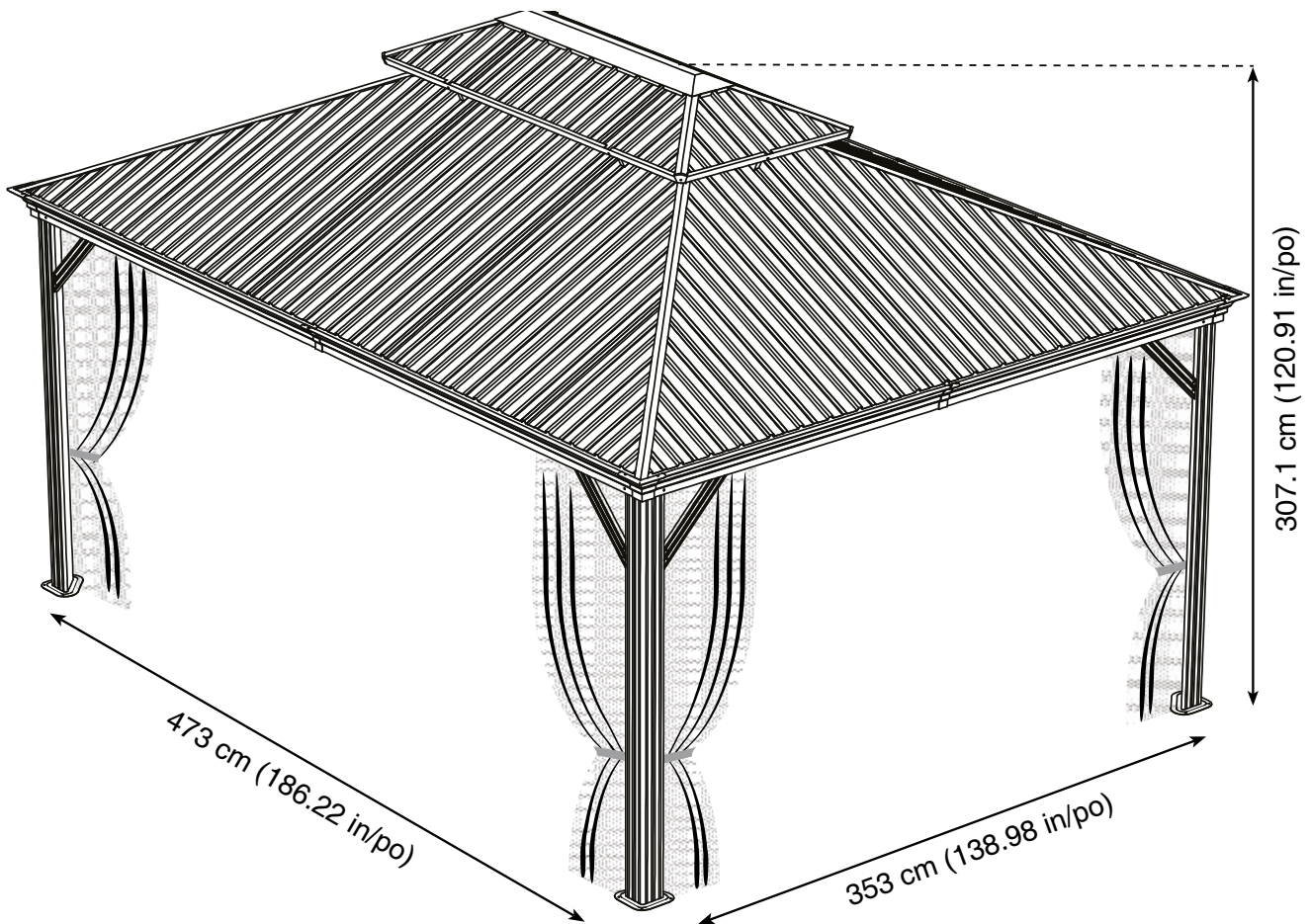
CUP/UPC code : 772830162493

Costco code: 959863

QUESTIONS? 1 855-659-4402

## Assembly Manual / Guide d'assemblage / Manual de ensamblaje / 조립설명서 / Montageanleitung

IMPORTANT, RETAIN FOR FUTURE REFERENCE: READ CAREFULLY  
IMPORTANT : CONSERVER POUR RÉFÉRENCE FUTURE ET LIRE ATTENTIVEMENT  
IMPORTANTE : CONSERVE PARA REFERENCIA FUTURA. LEA CUIDADOSAMENTE ANTES  
Wichtig: für den zukünftigen Gebrauch aufbewahren: sorgfältig lesen.  
중요: 주의 깊게 읽고 나중에 참조할 수 있도록 보관하십시오



For Outdoor Use only. Not for Commercial Use.

Pour usage extérieur seulement. Pas pour usage commercial.

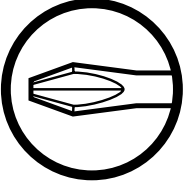
Solo para uso en exteriores. No para uso comercial.

Nur für den Gebrauch im Freien. Nicht für den kommerziellen Gebrauch geeignet.

이 제품은 옥외용이며 상업용이 아닙니다.



Use the hex keys in the box. / Utilisez les clés hexagonales fournies dans la boîte. /  
Utilice las llaves hexagonales en la caja. / 상자에 육각 키를 사용 하십시오. / Verwenden Sie  
die Sechskantschlüssel in der Box.



Please use a phillips screwdriver / Utilisez un tournevis de type Phillips / Por favor,  
use un destornillador Phillips / 십자 드라이버를 사용 하십시오. / Bitte verwenden Sie einen  
Kreuzschraubenzieher.



you may need to use a drill for this step. / vous pouvez avoir besoin d'utiliser une  
perceuse pour cette étape. / puede que tenga que utilizar un taladro para este paso. /  
이 단계에선 드릴을 사용해야 할 수도 있습니다. / Für diesen Schritt können Sie einen  
Bohrer verwenden.



It is recommended to wear protective gloves / Le port de gants de protection est recommandé /  
El uso de guantes de protección se recomienda / 보호 장갑을 착용 하는 것이 좋습니다. /  
Das Tragen von Schutzhandschuhen wird empfohlen.



Two or more people are required at this stage. / Deux personnes ou plus sont nécessaires à cette  
étape. / Dos o más personas se requieren en esta etapa. / 이 단계에서는 두 명 이상이 필요합니다. /  
Für diesen Bauschritt sind 2 oder mehr Personen erforderlich.

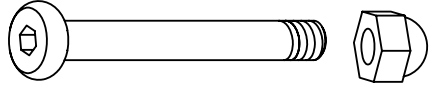


Do not screw firmly for now. / Ne pas visser fermement pour l'instant. / No atornille con  
firmeza por ahora. / 아직 나사를 단단히 조이지 마십시오. / Bitte die Schrauben zum  
jetzigen Zeitpunkt noch nicht fest anziehen.

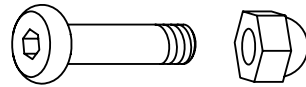


Sold in options / Vendus en options / vendido en las opciones /  
옵션 판매 / Optional erhältlich

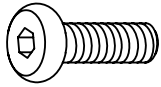
**S** X 18 (EXTRA 2 pcs)



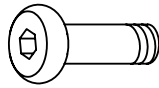
**T** X 90 (EXTRA 9 pcs)



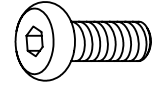
**U** X 17 (EXTRA 2 pcs)



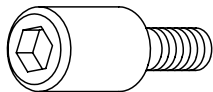
**U1** X 2 (EXTRA 1 pcs)



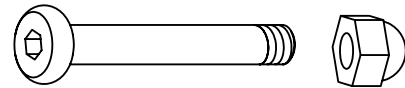
**V** X 266 (EXTRA 10 pcs)



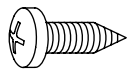
**X** X 16 (EXTRA 2 pcs)



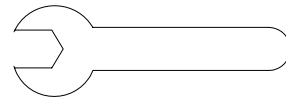
**X1** X 4 (EXTRA 2 pcs)



**Y** X 24 (EXTRA 5 pcs)



**W2** X 1

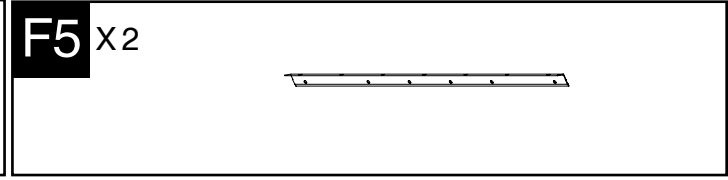
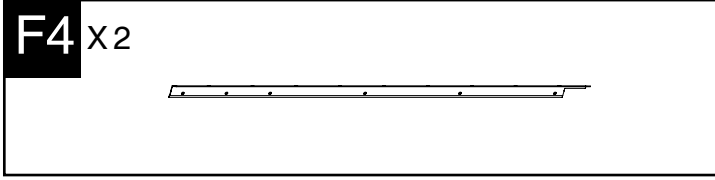
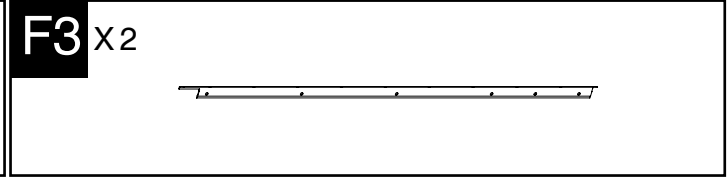
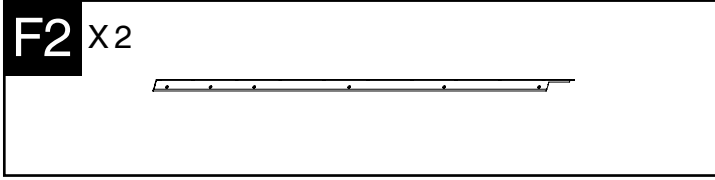
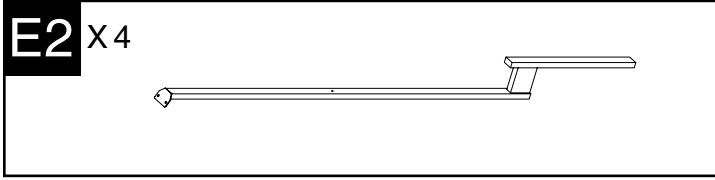
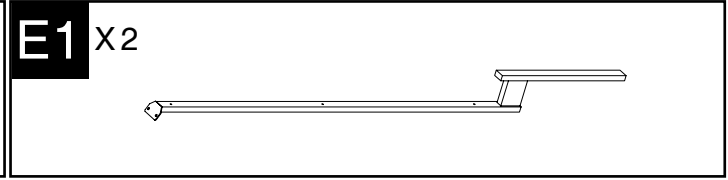
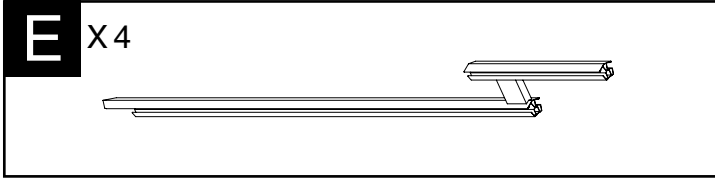
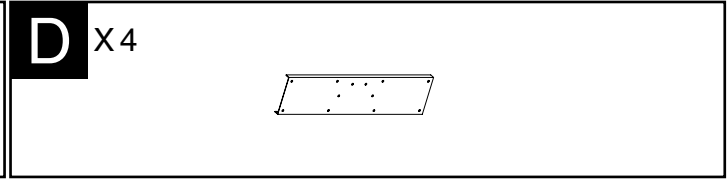
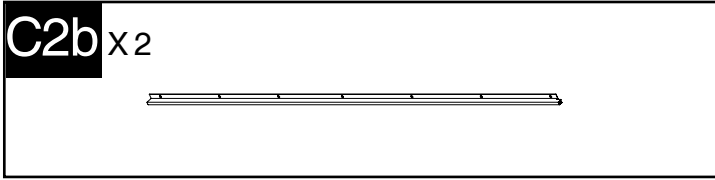
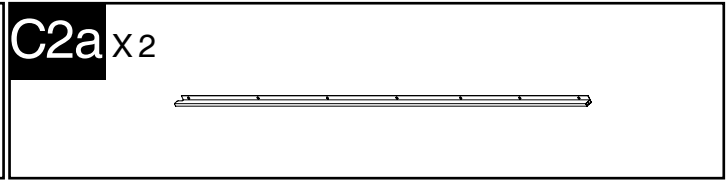
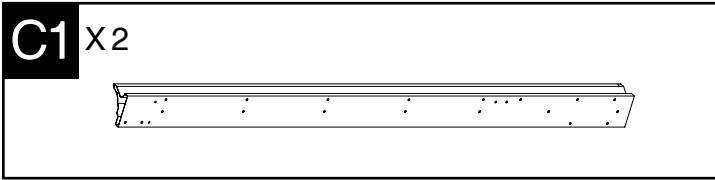
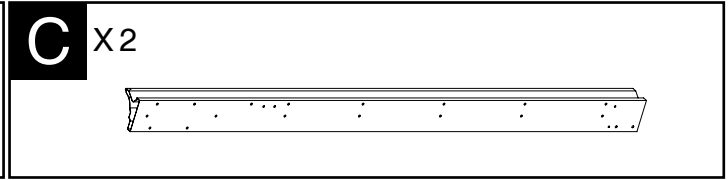
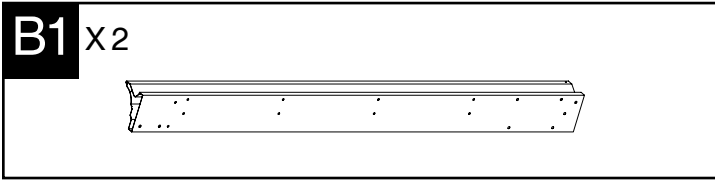
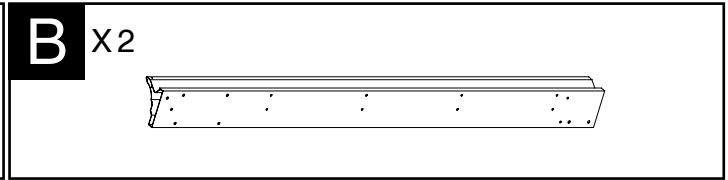
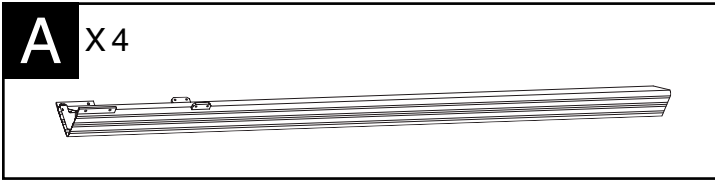


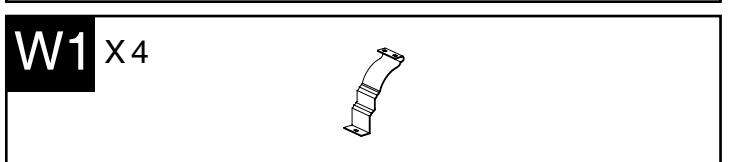
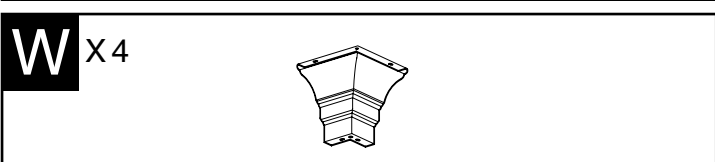
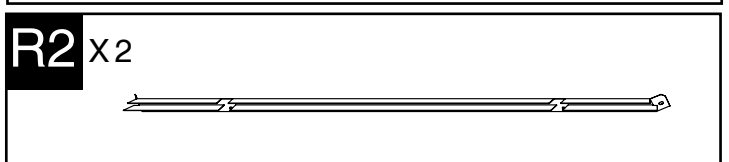
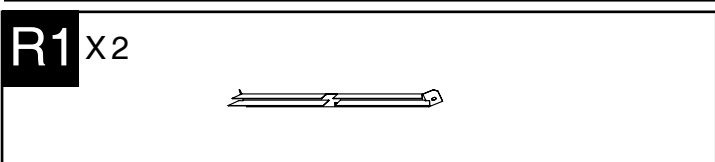
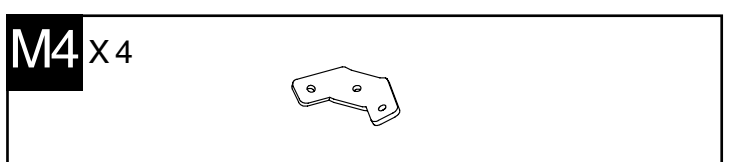
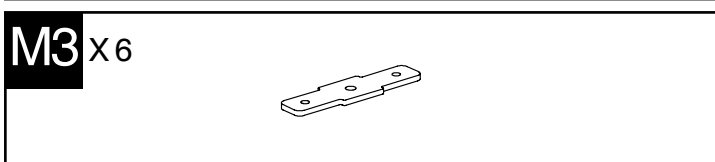
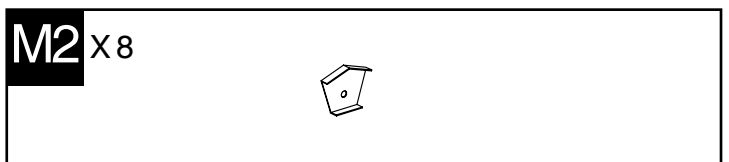
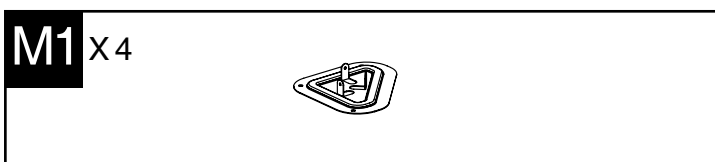
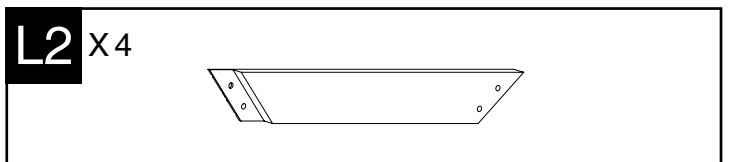
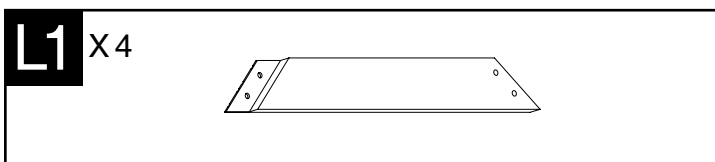
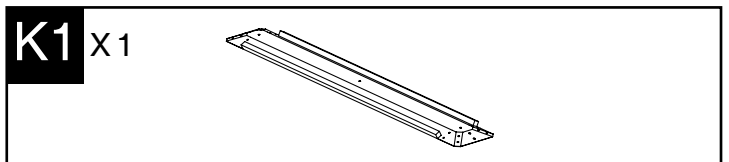
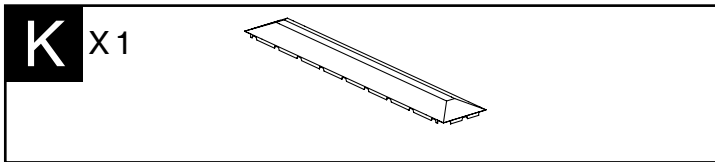
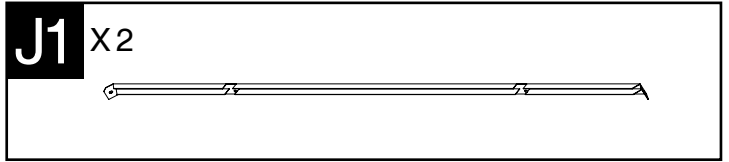
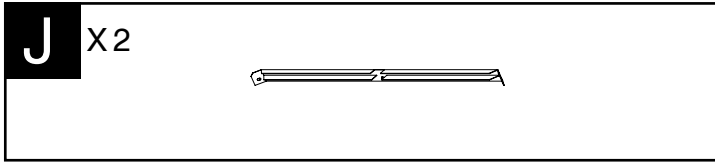
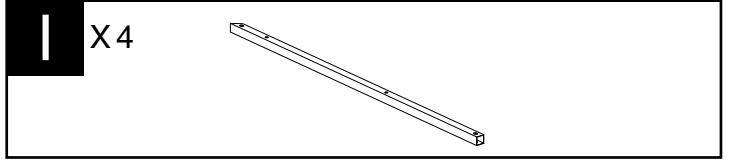
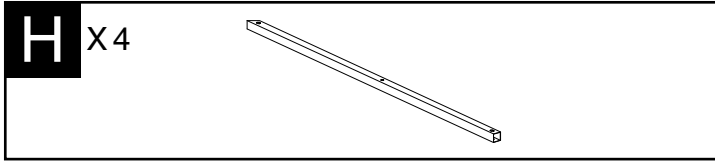
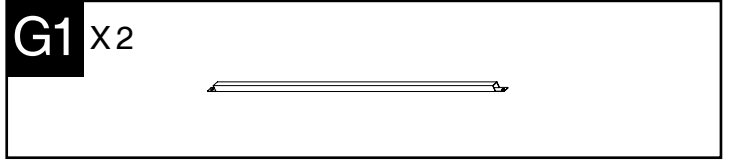
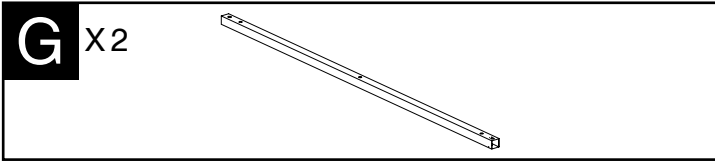
**Wa** X 2



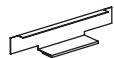
**Z** X 1



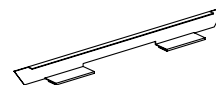




**D1** X 16 (EXTRA 1pcs )



**R** X 72 (EXTRA 2 pcs )



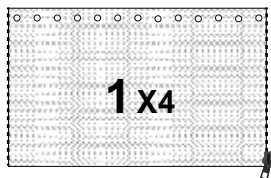
**Zs** X 1



**Q** X 64 (EXTRA 3 pcs)



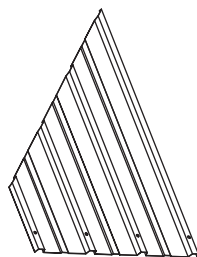
**Net**



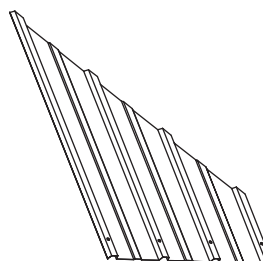
**N** X 2



**N1** X 2



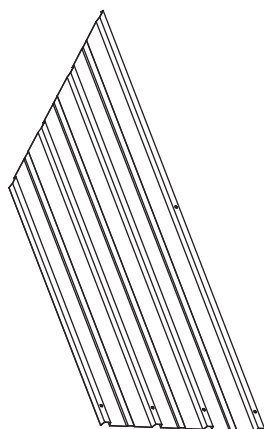
**N6** X 2



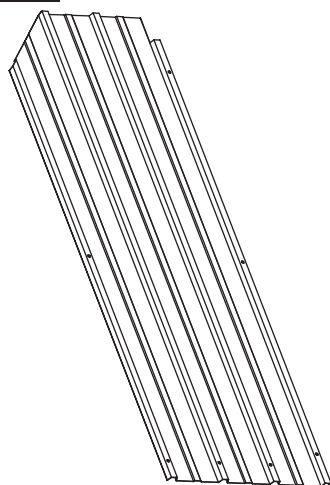
**N7** X 2



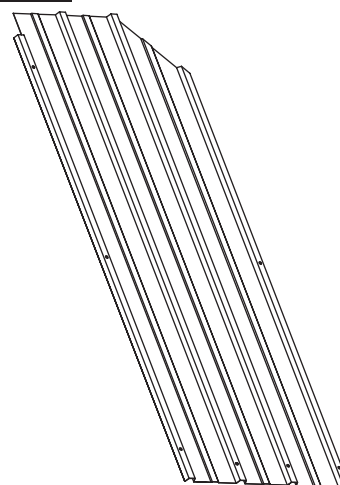
**N2** X 2



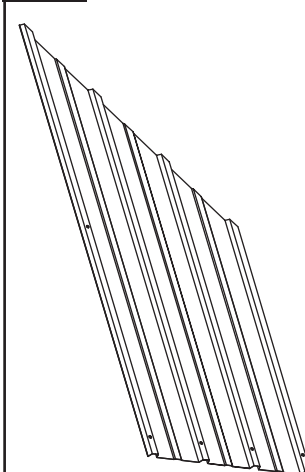
**N3** X 2

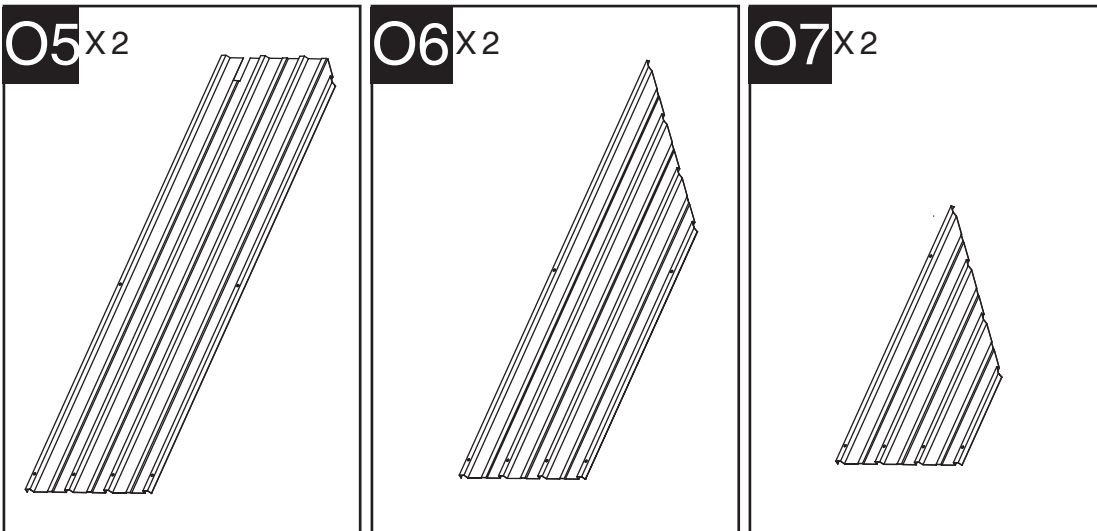
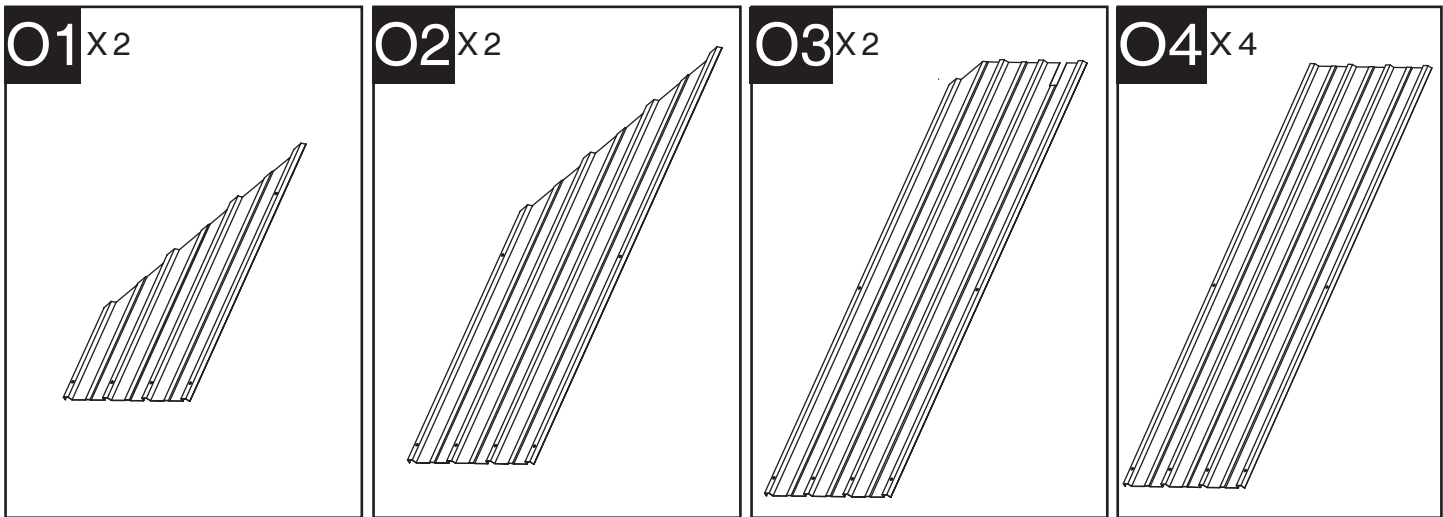
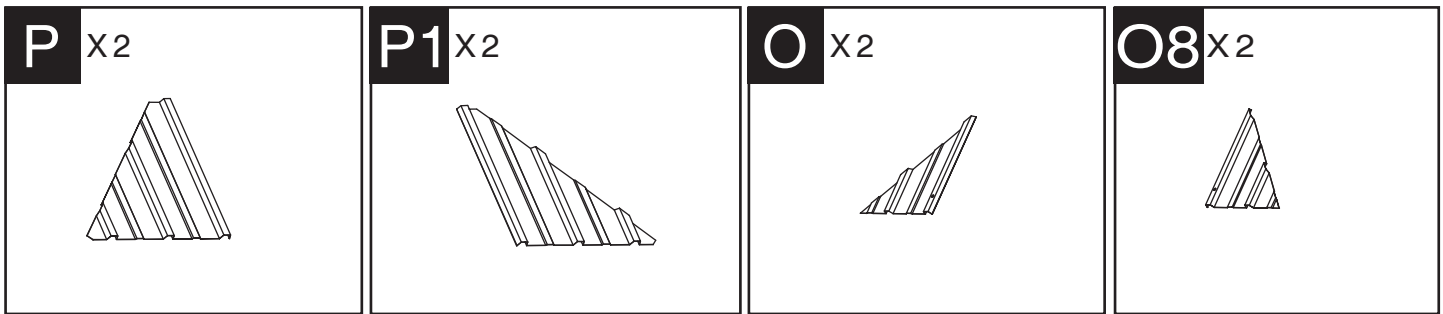
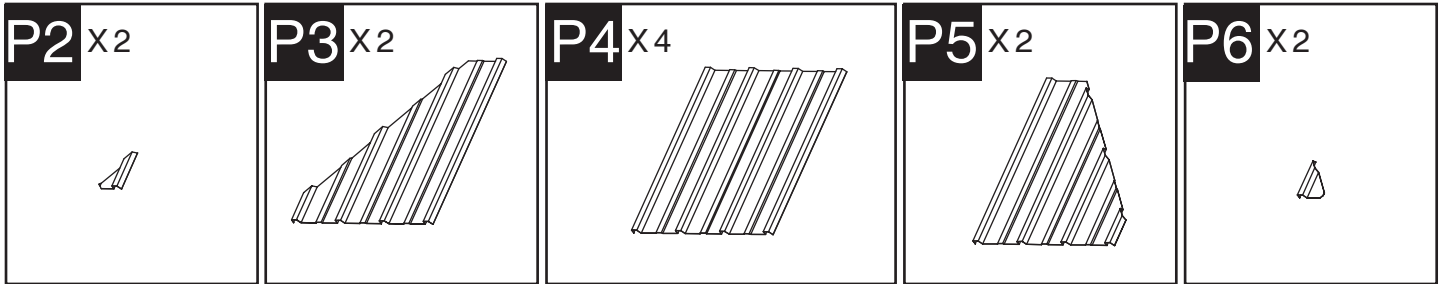


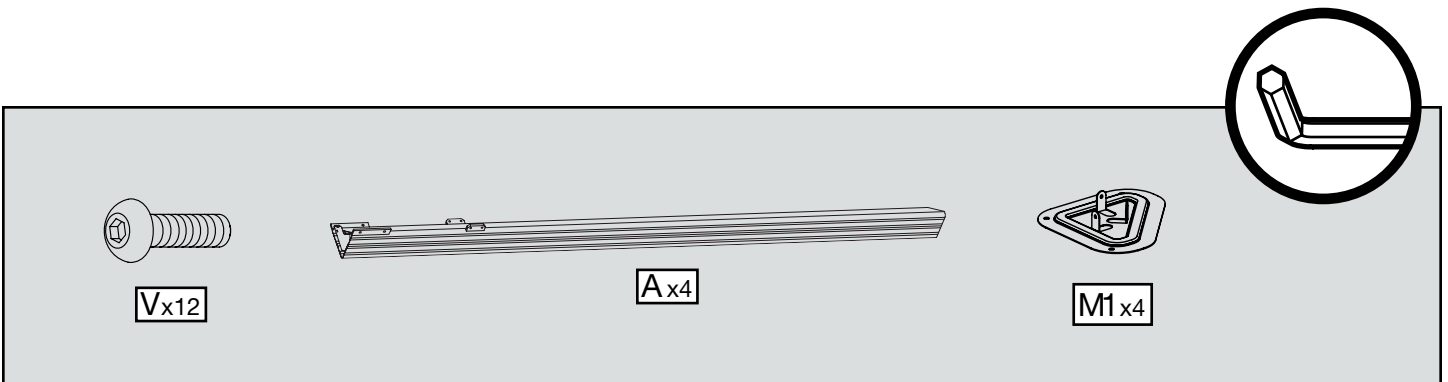
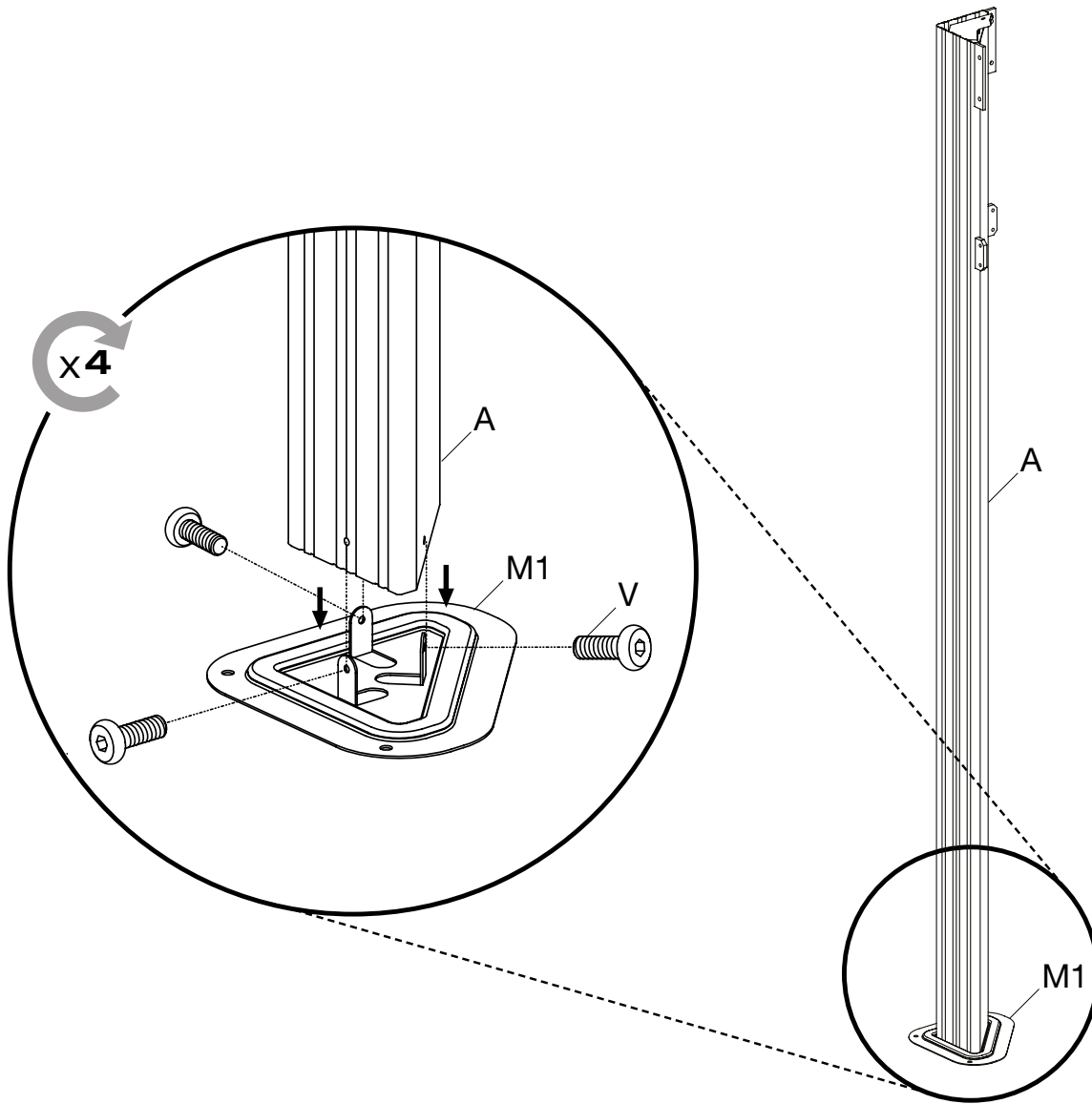
**N4** X 2



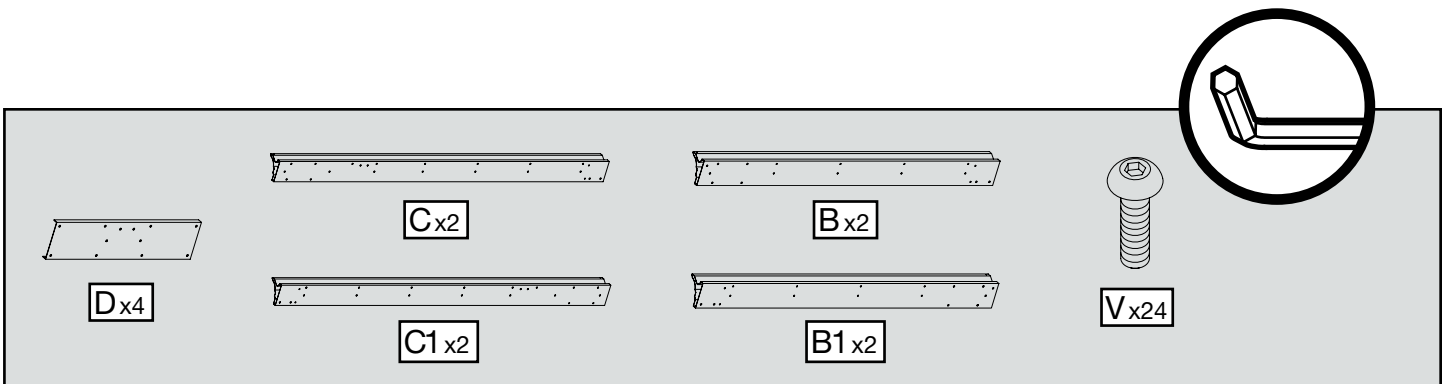
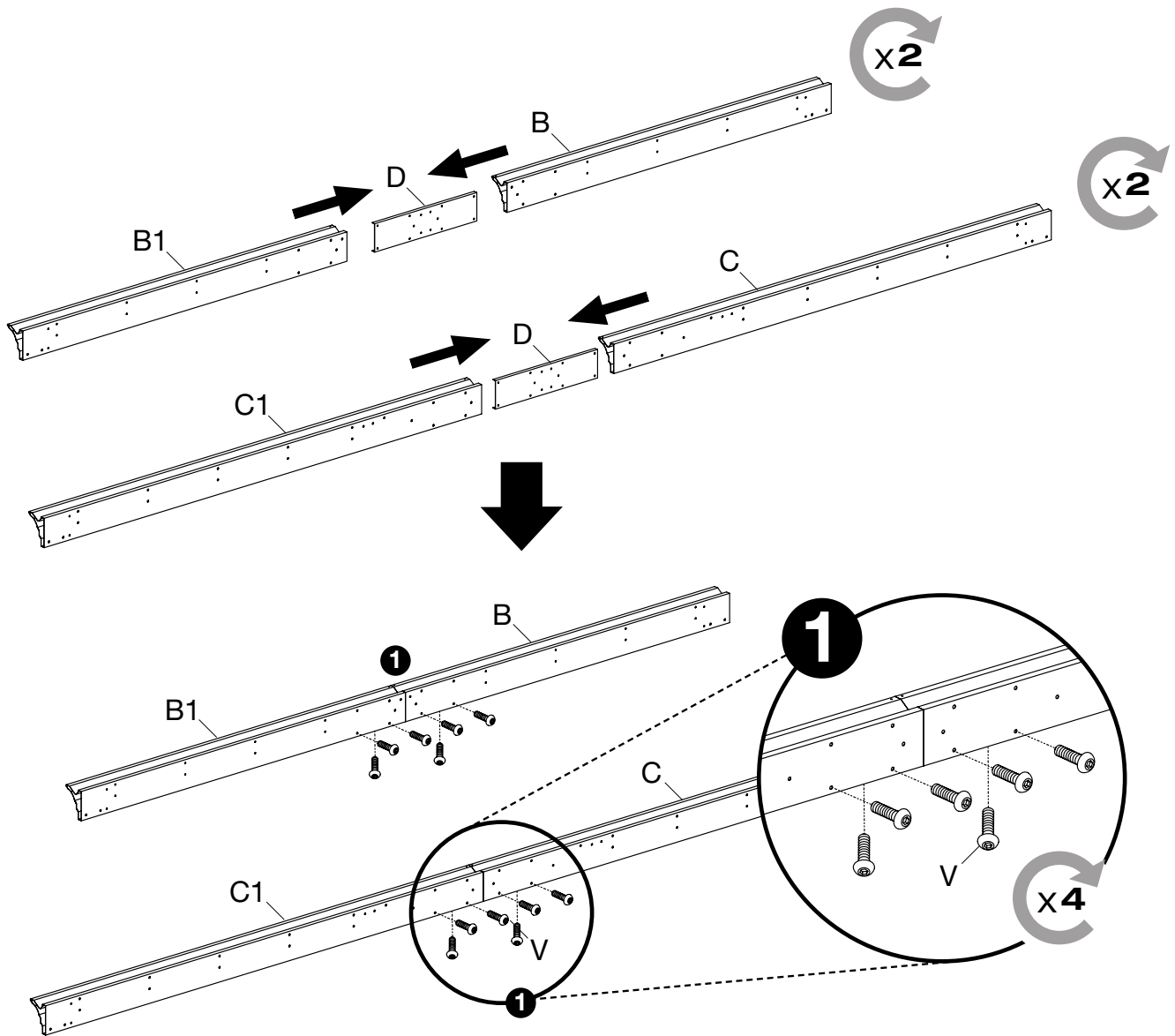
**N5** X 2

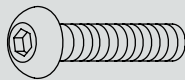
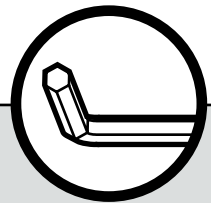
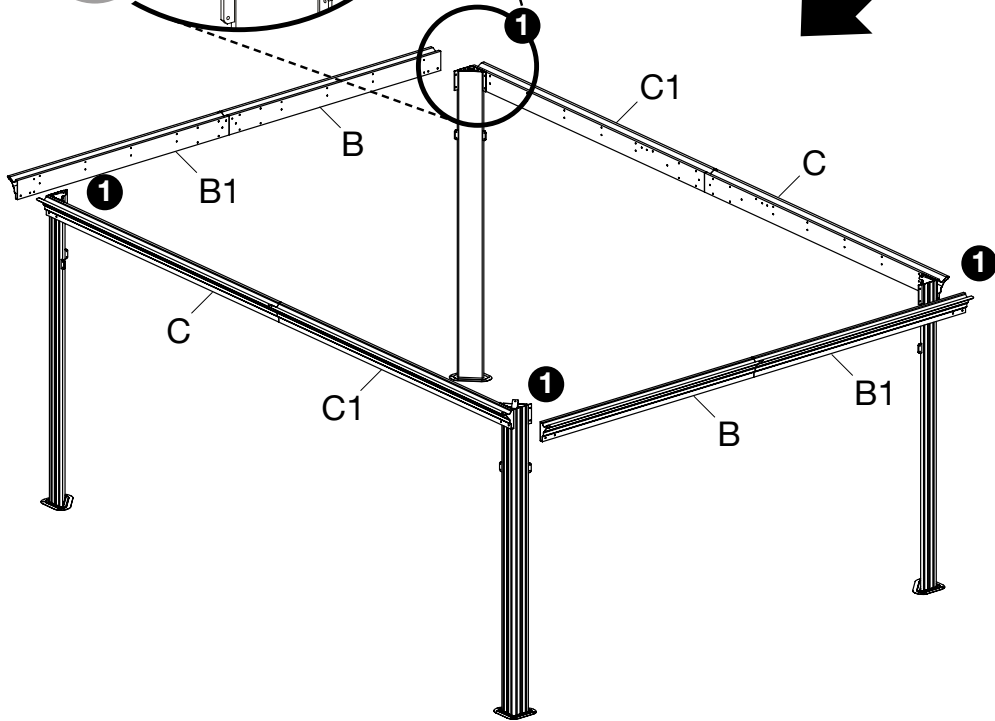
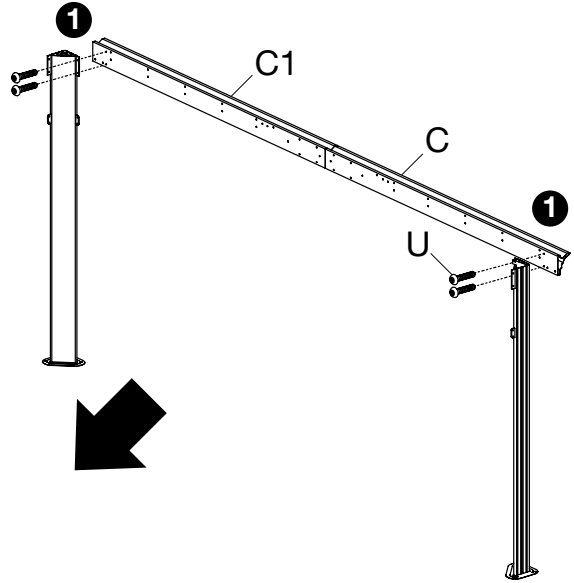
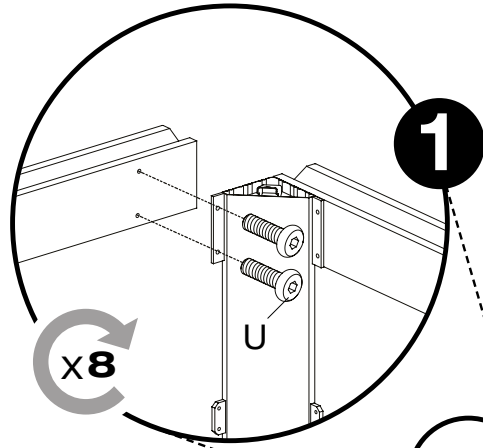




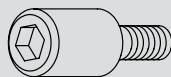
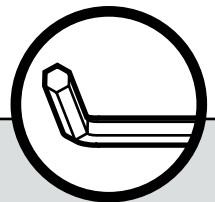
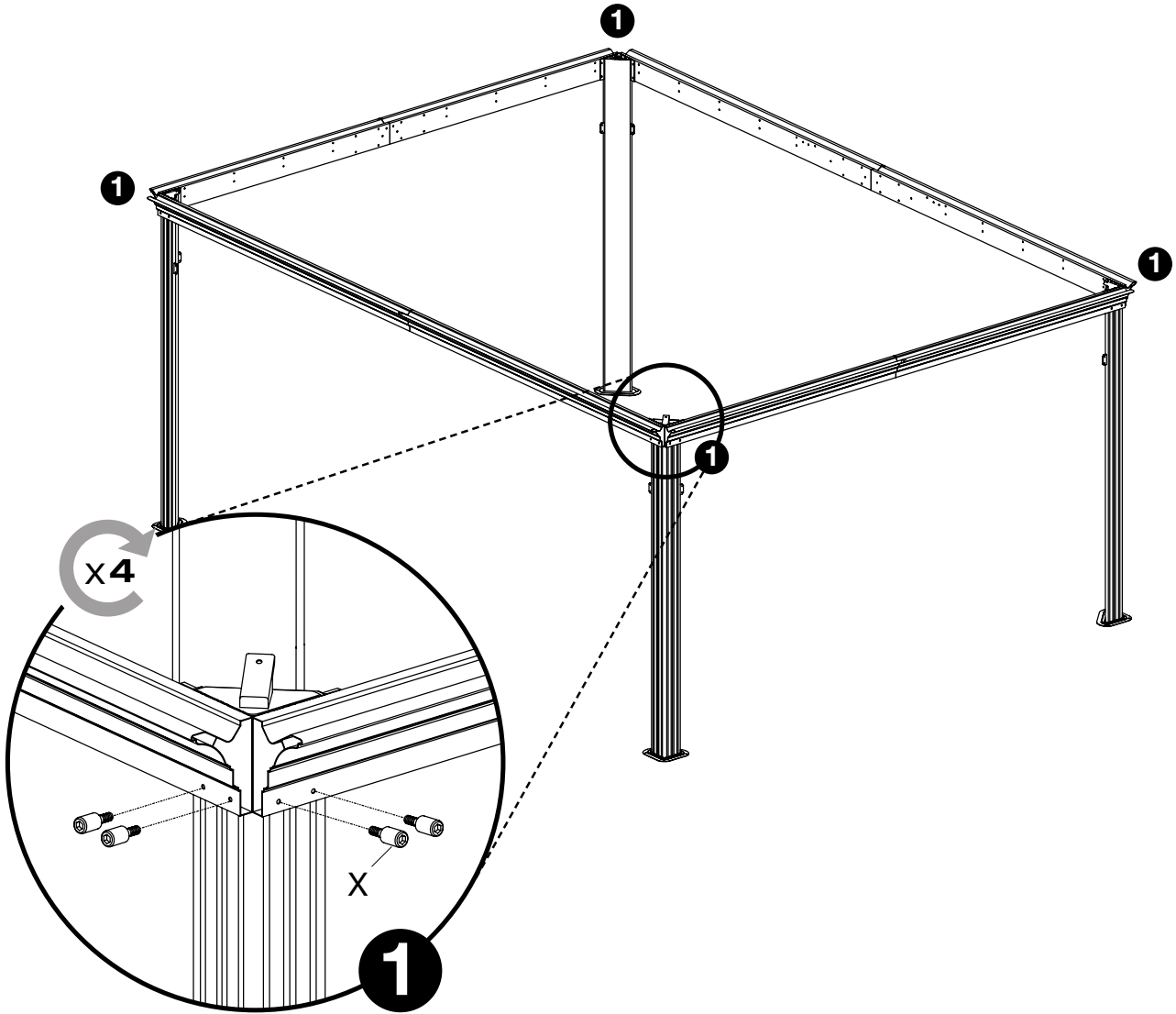




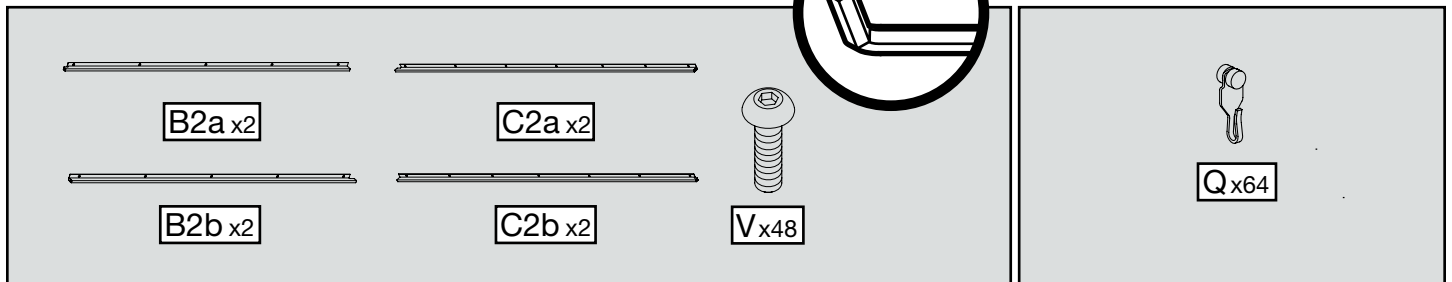
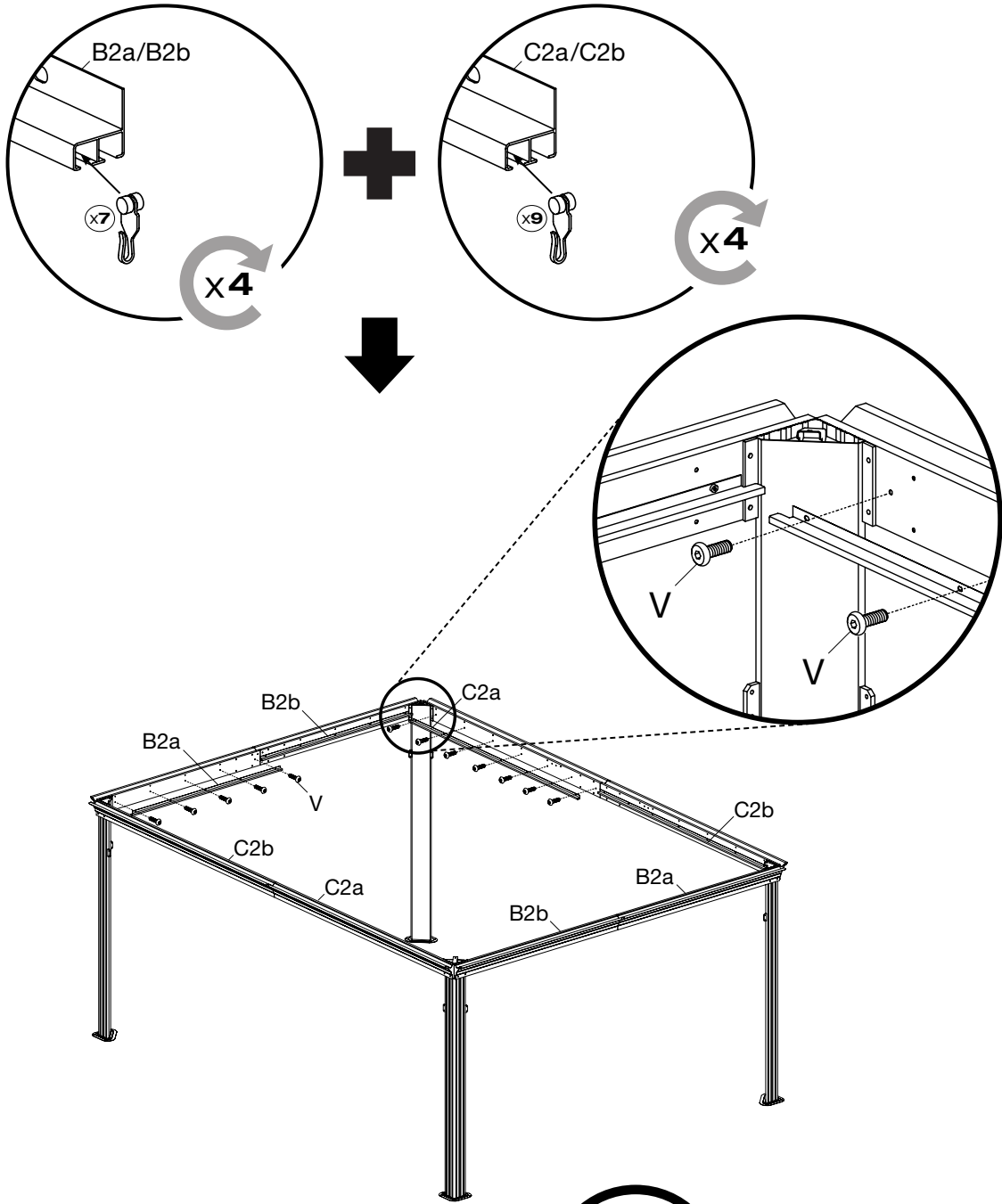


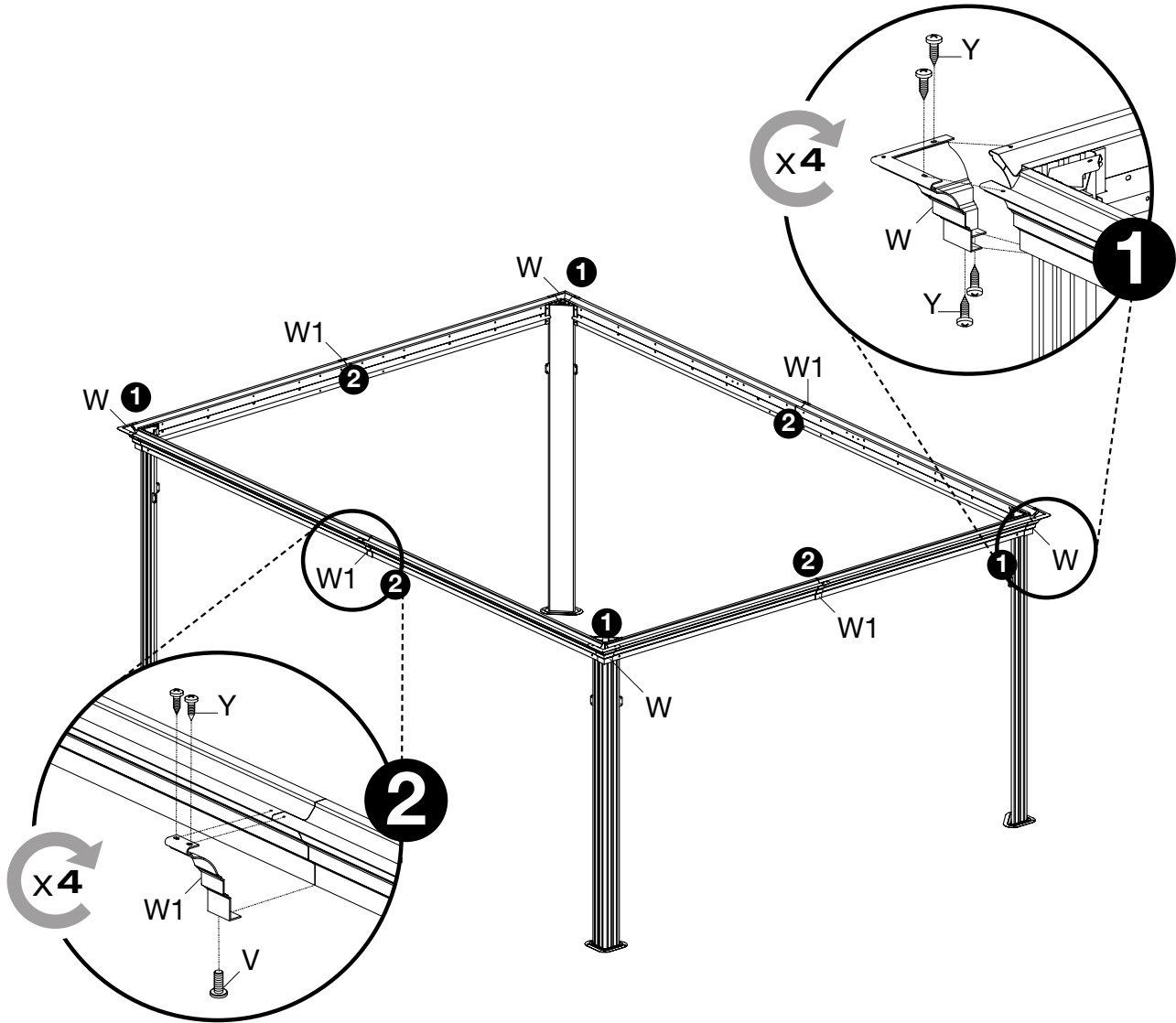


U x16



Xx16

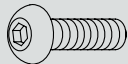




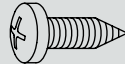
W<sub>x4</sub>



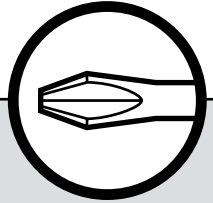
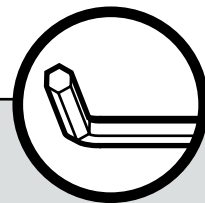
W1<sub>x4</sub>

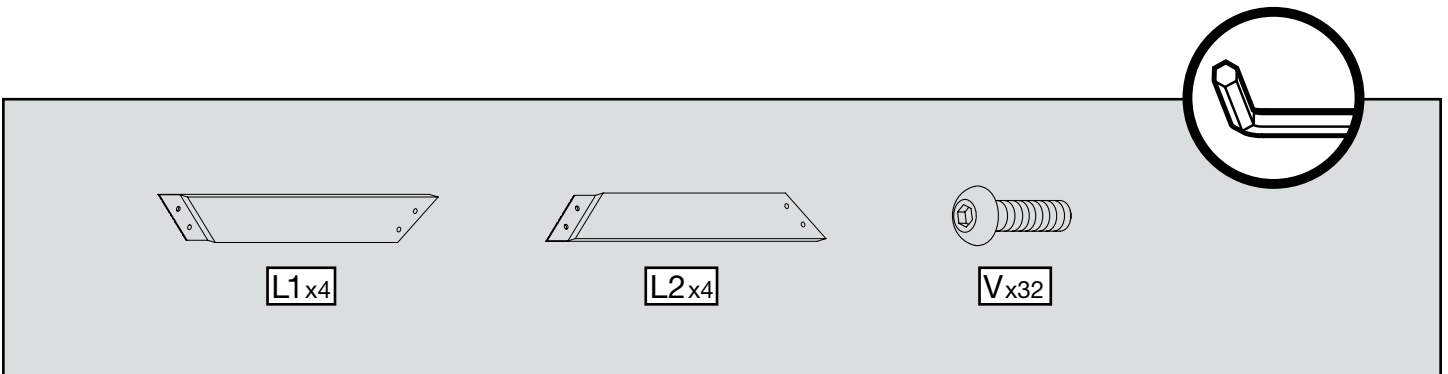
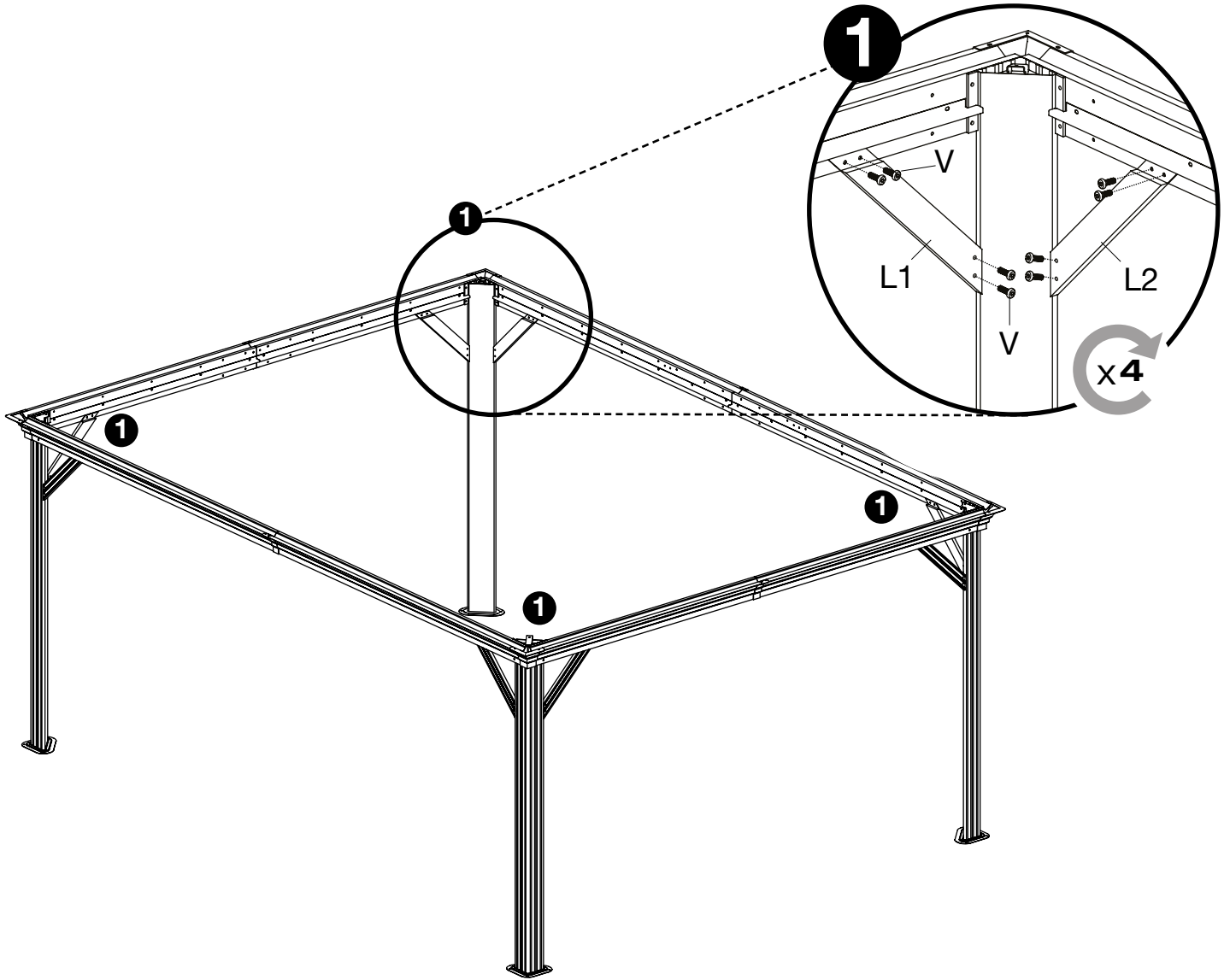


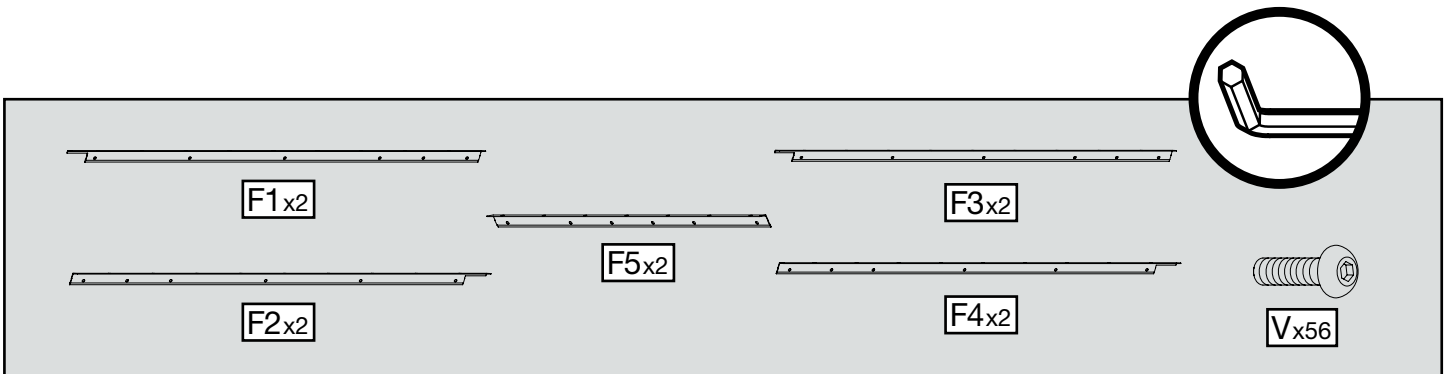
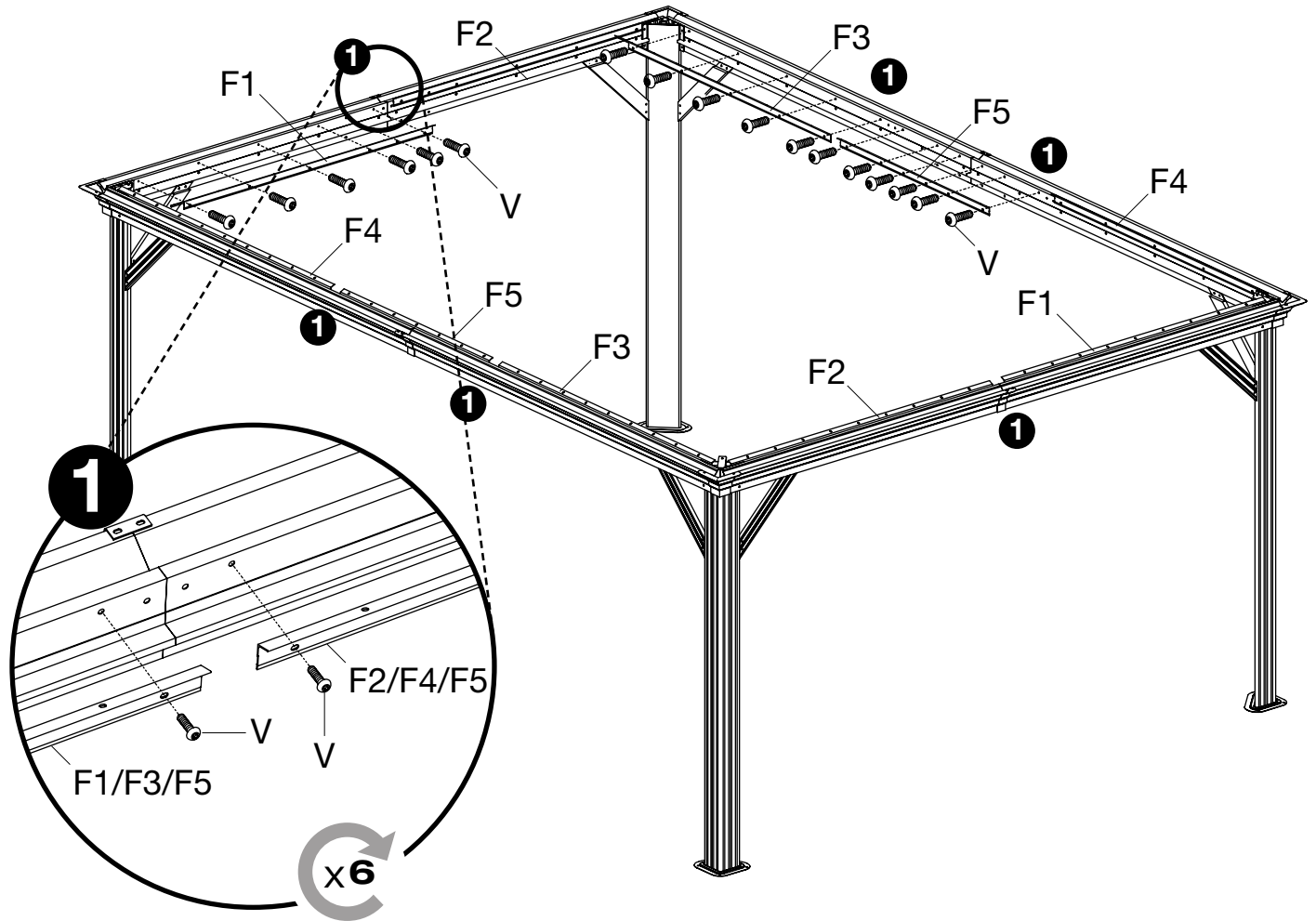
V<sub>x4</sub>

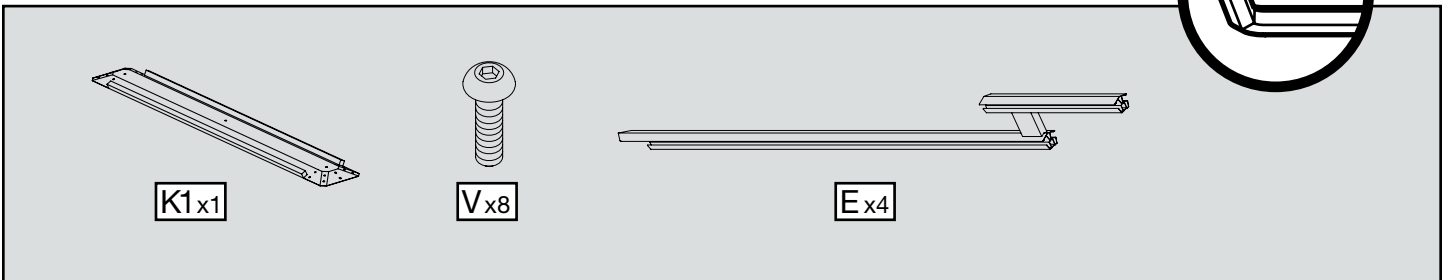
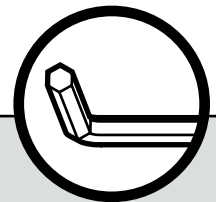
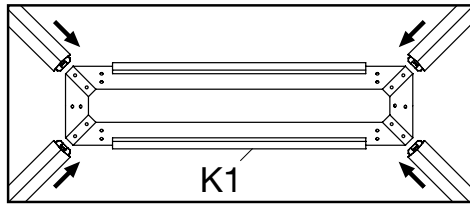
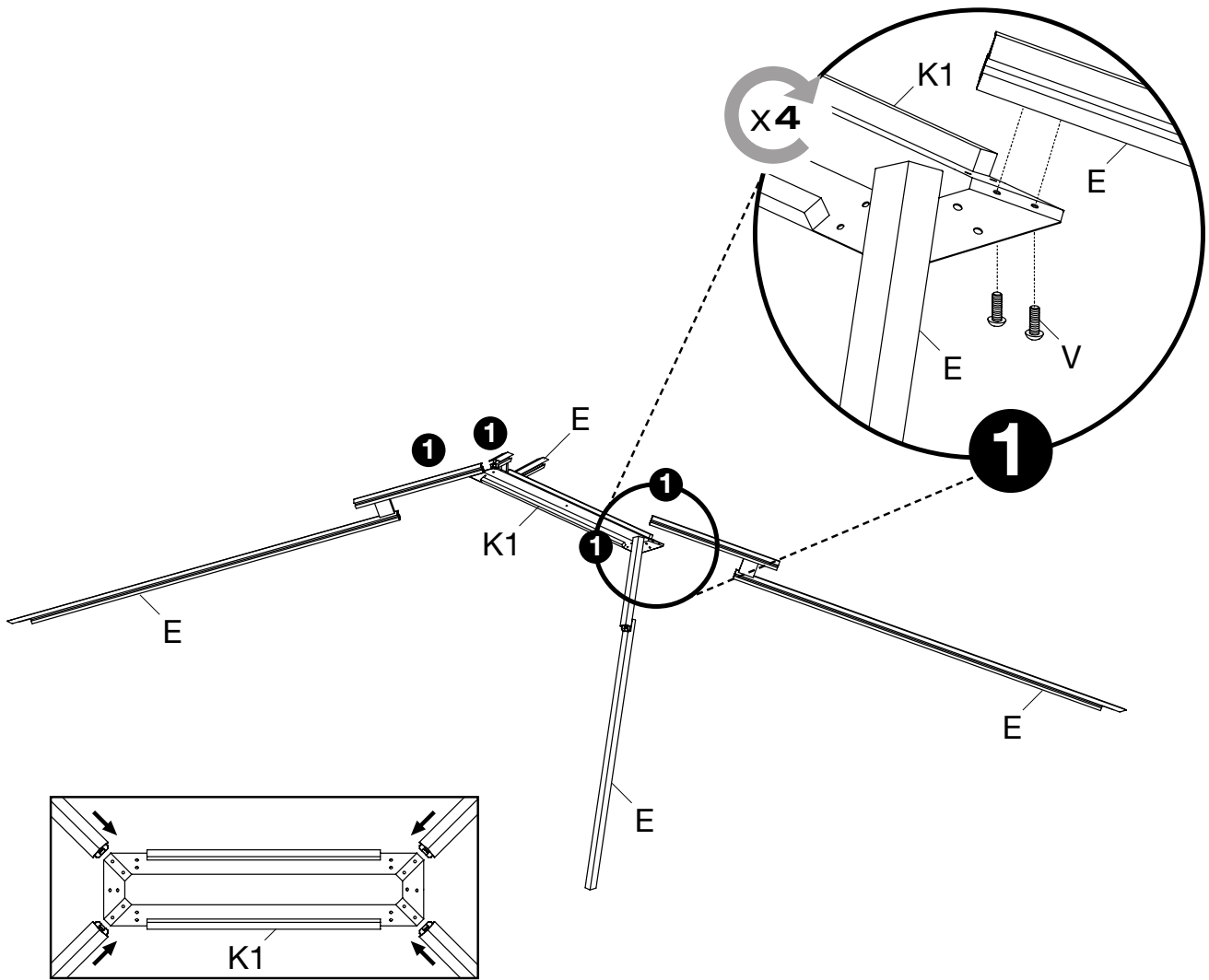


Y<sub>x24</sub>

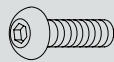
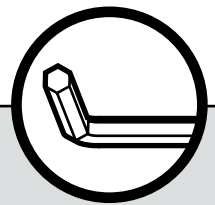
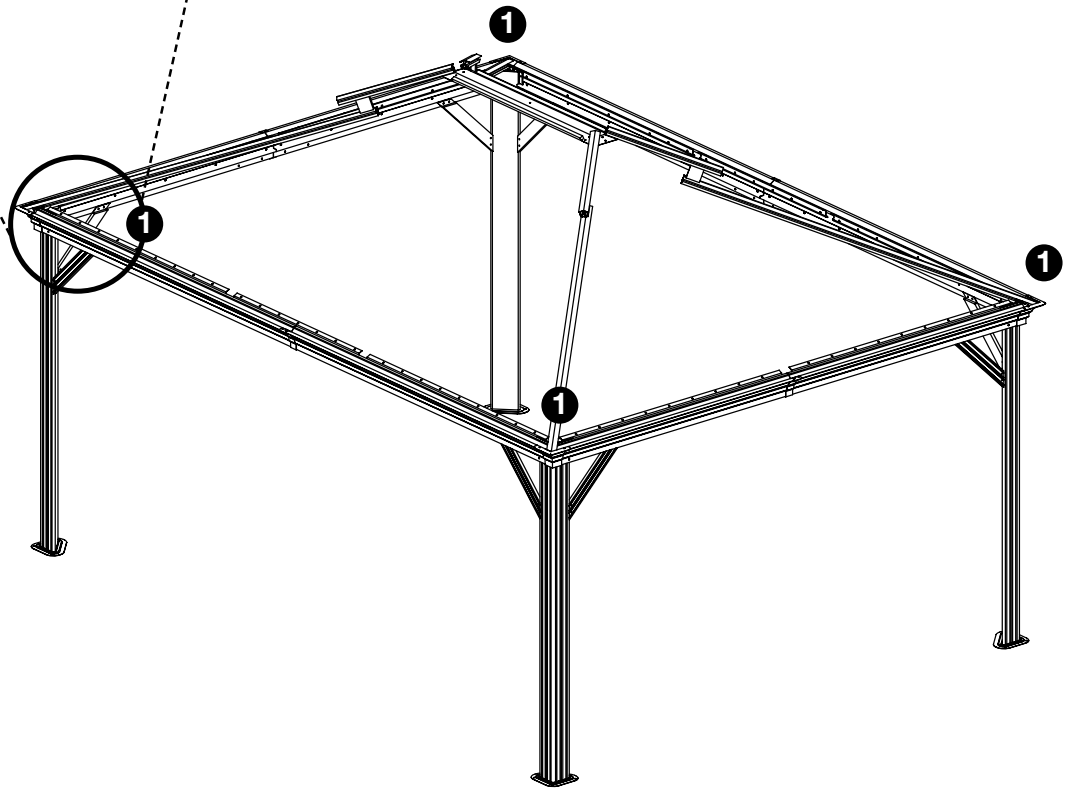
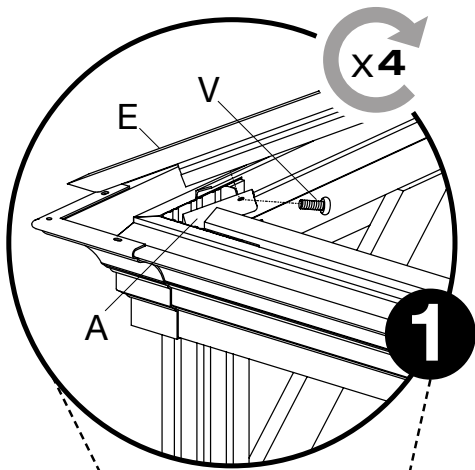




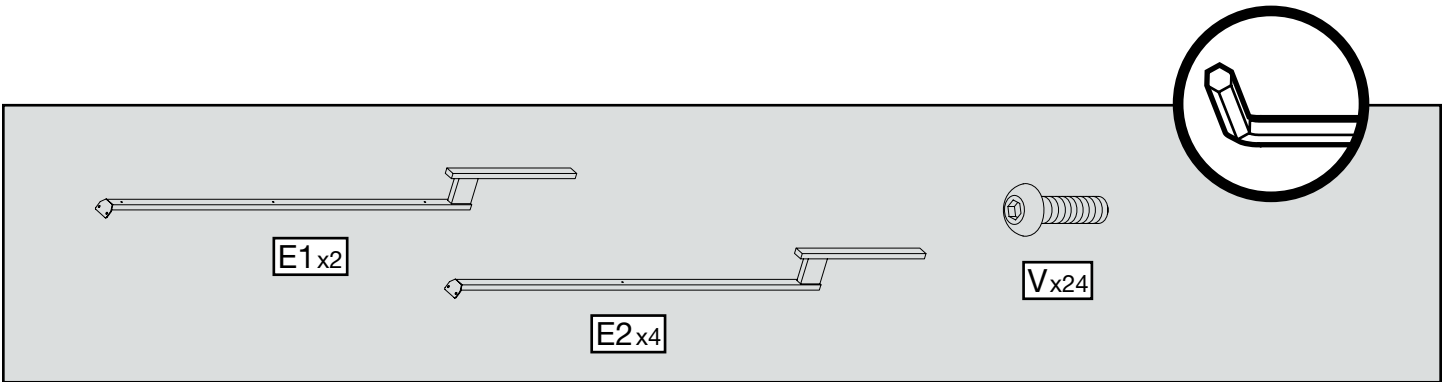
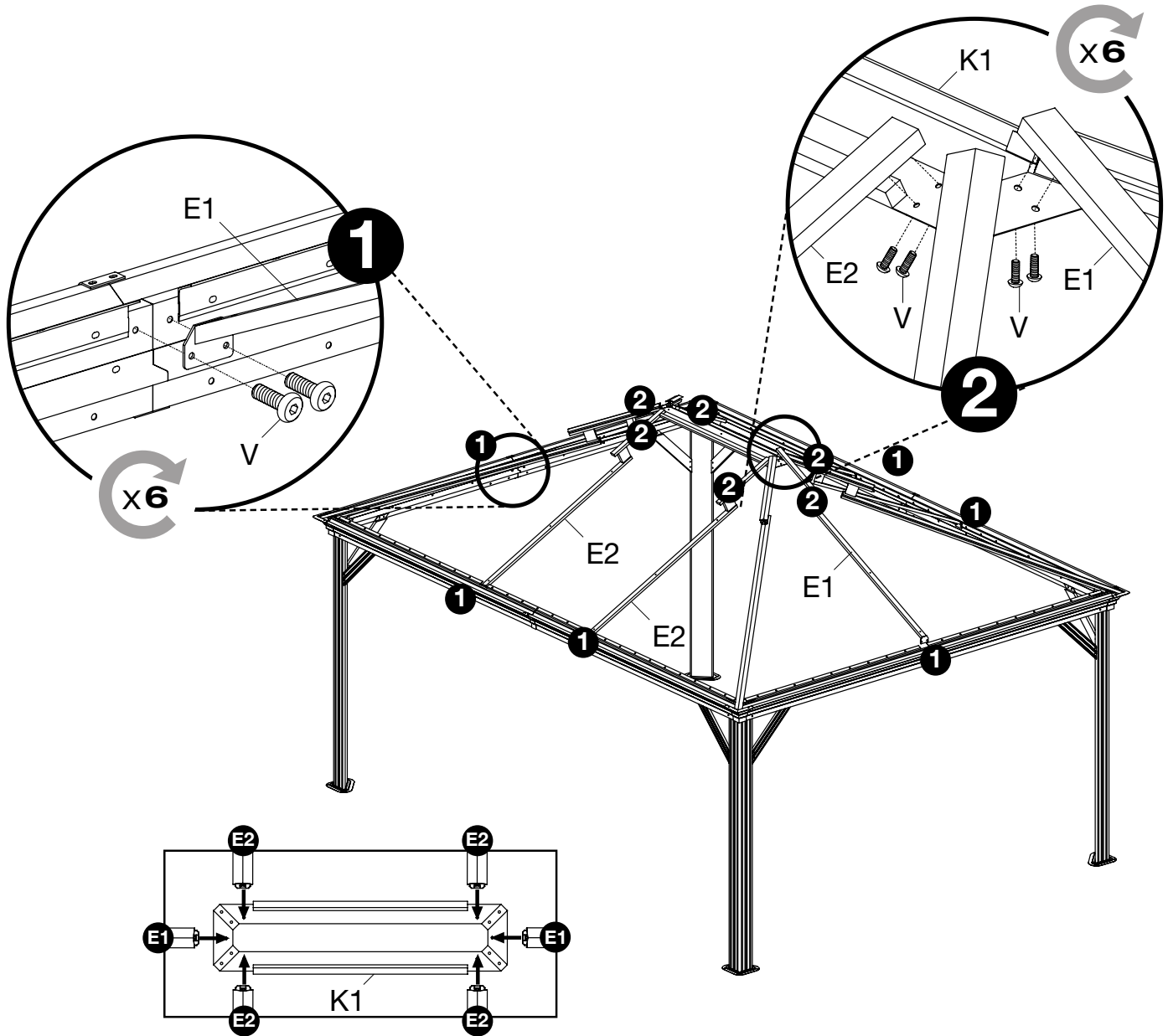


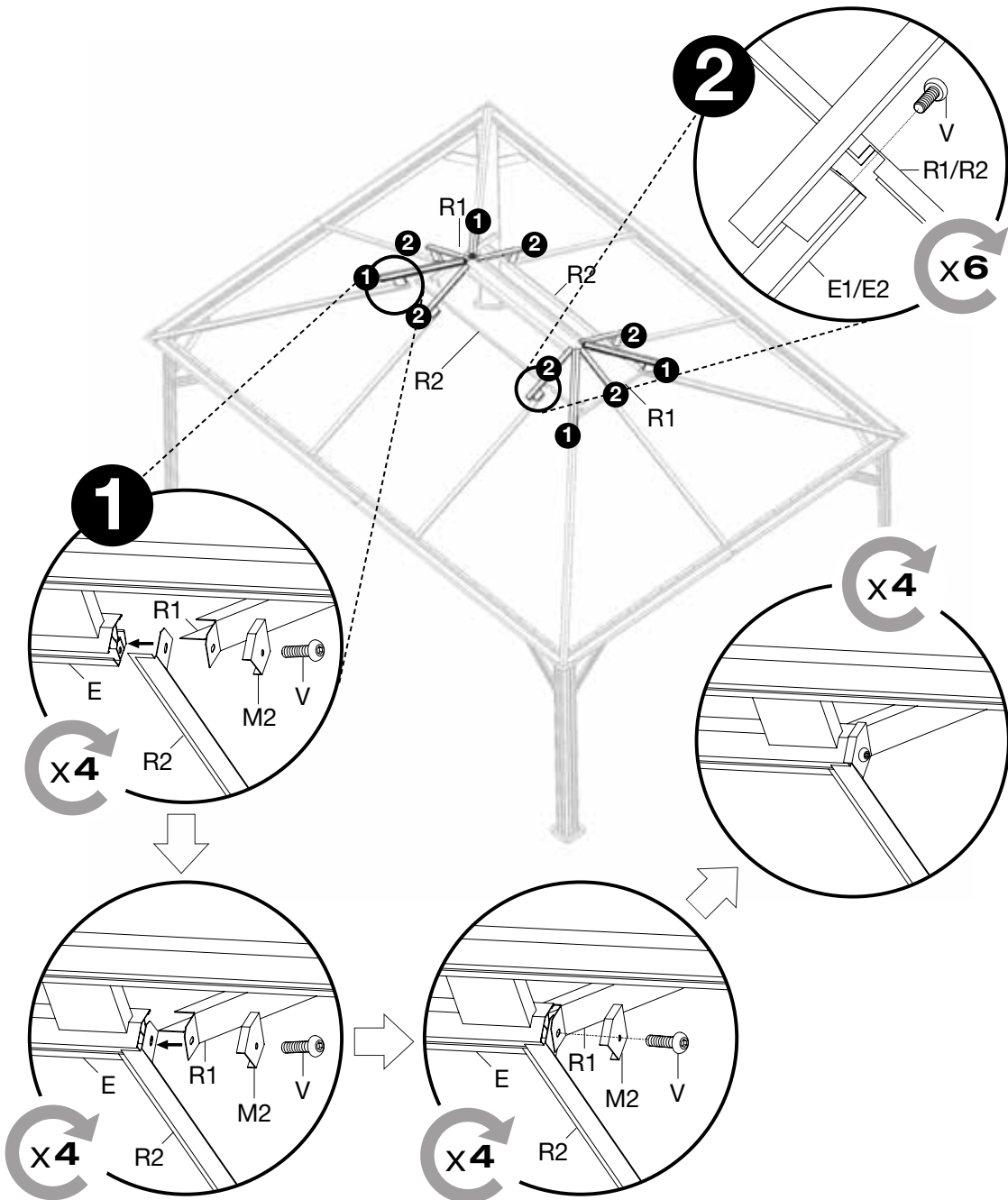






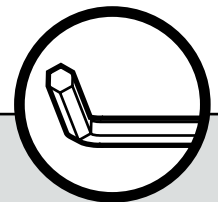
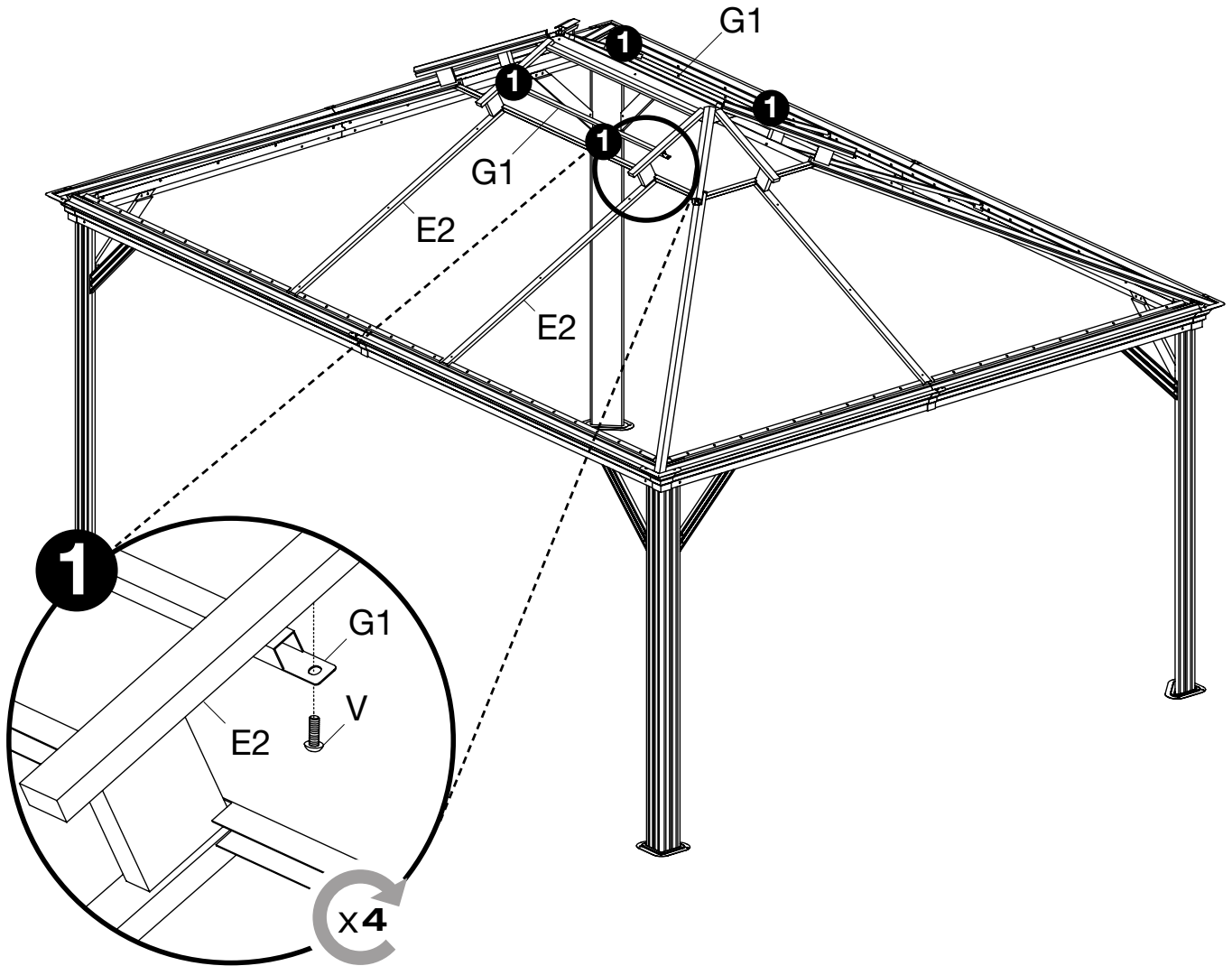
Vx4



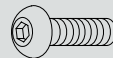


Parts list section showing dimensions and quantities for rafters R1, R2, brackets M2, and screws V. A circular icon of a metal bracket is also present.

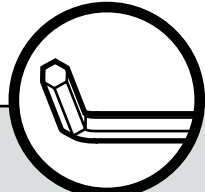
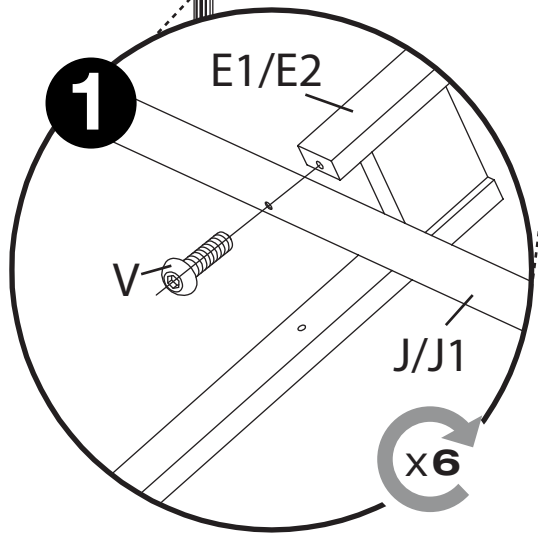
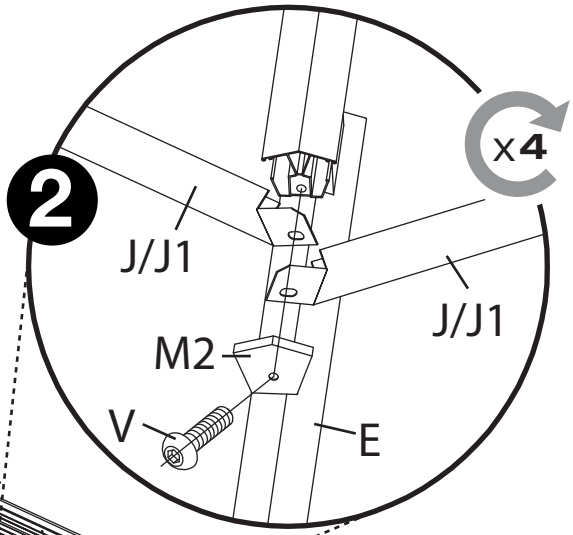
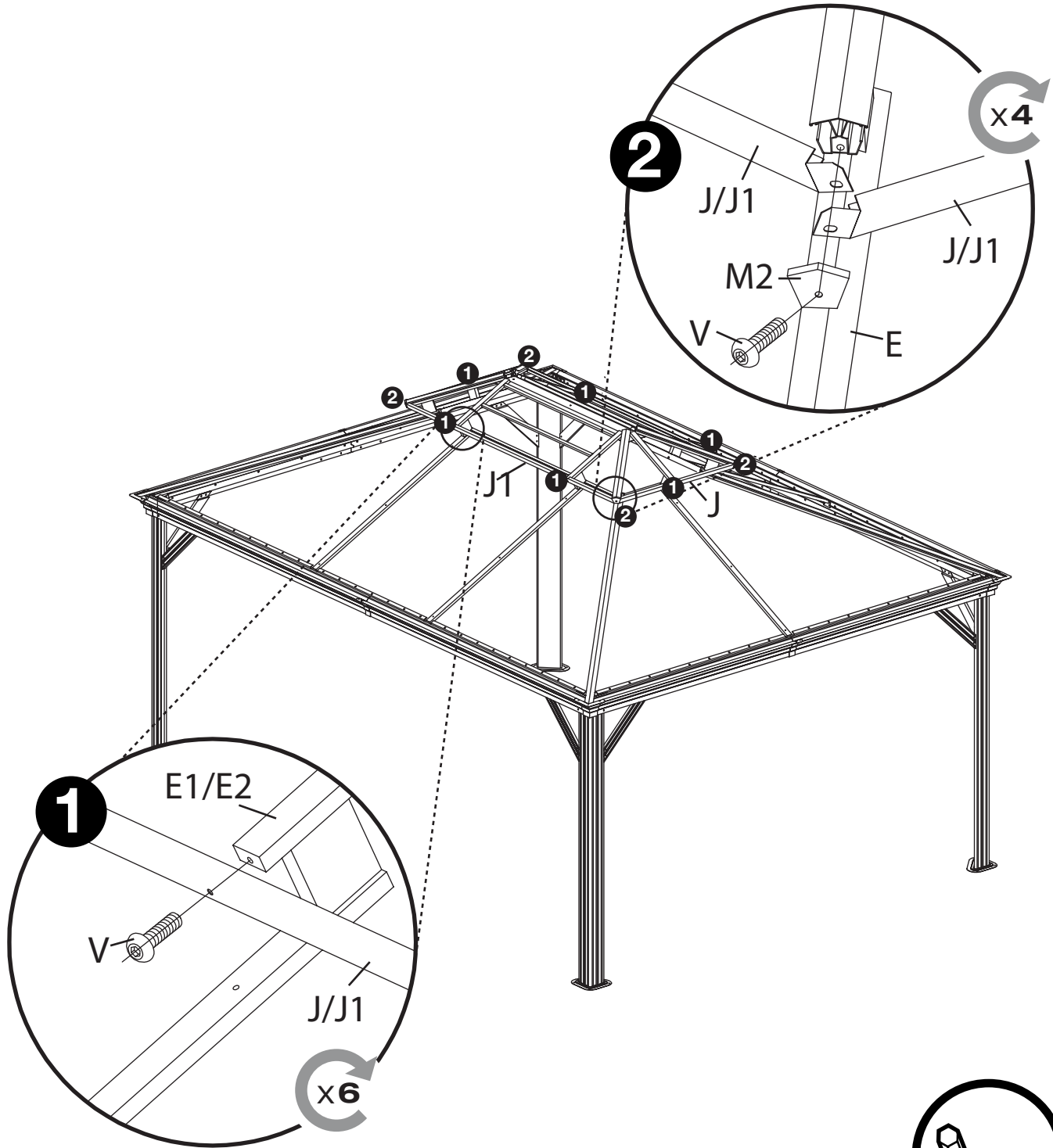
- R1x2
- R2x2
- M2x4
- Vx10



G1x2

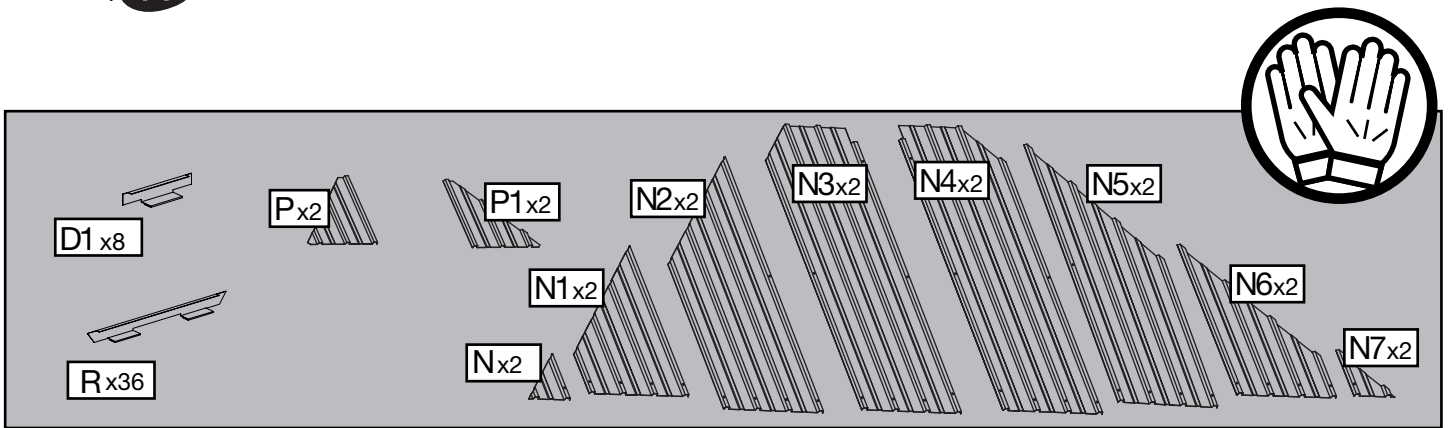
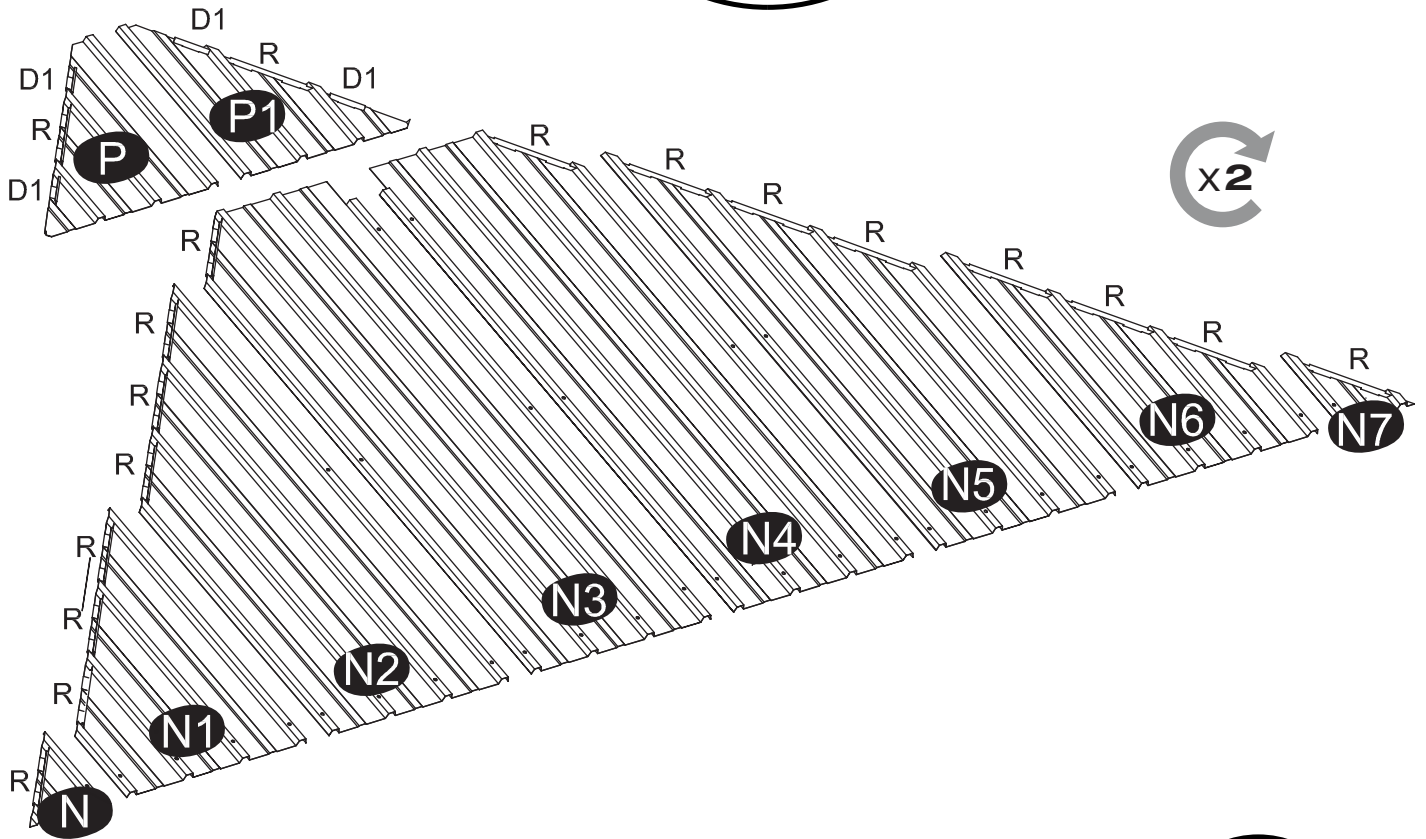
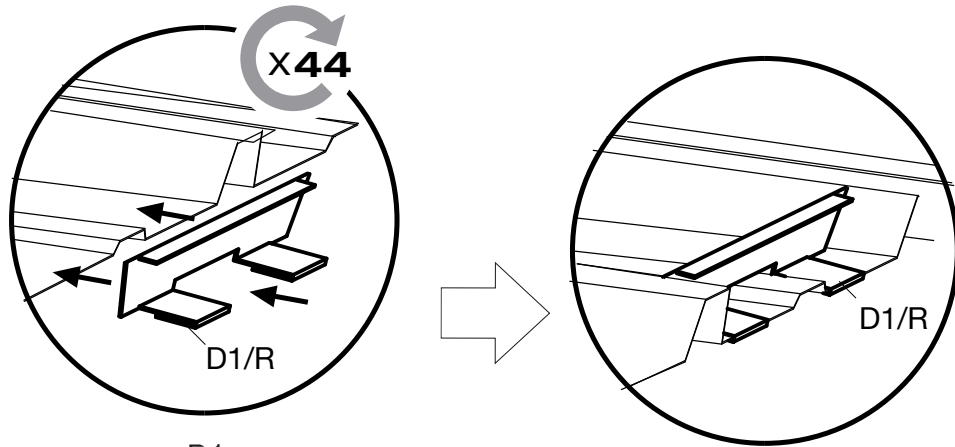


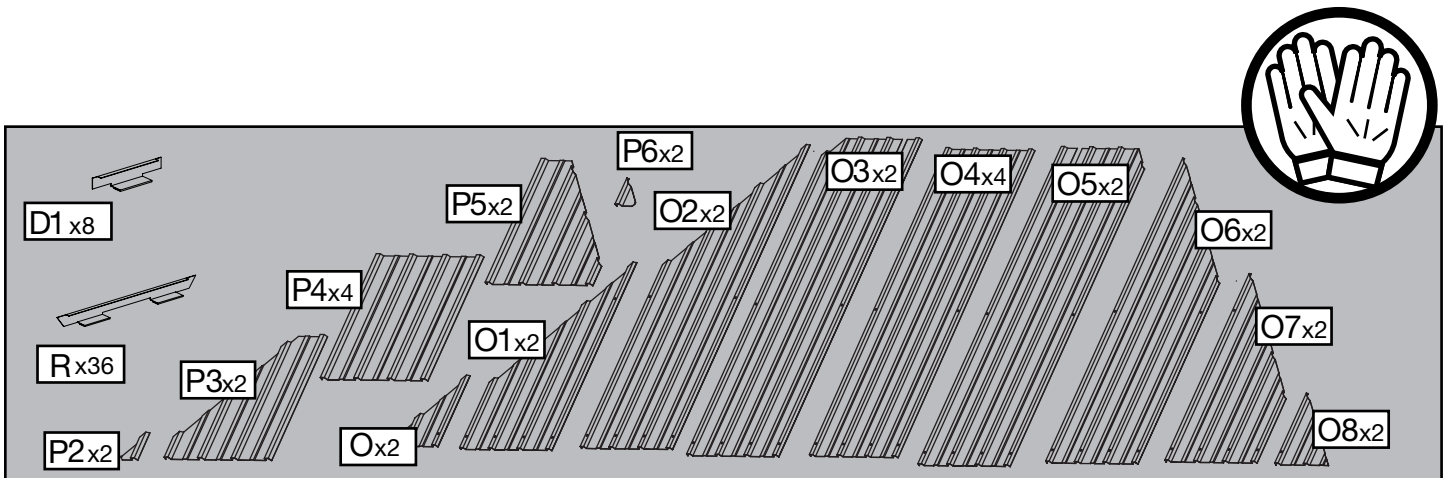
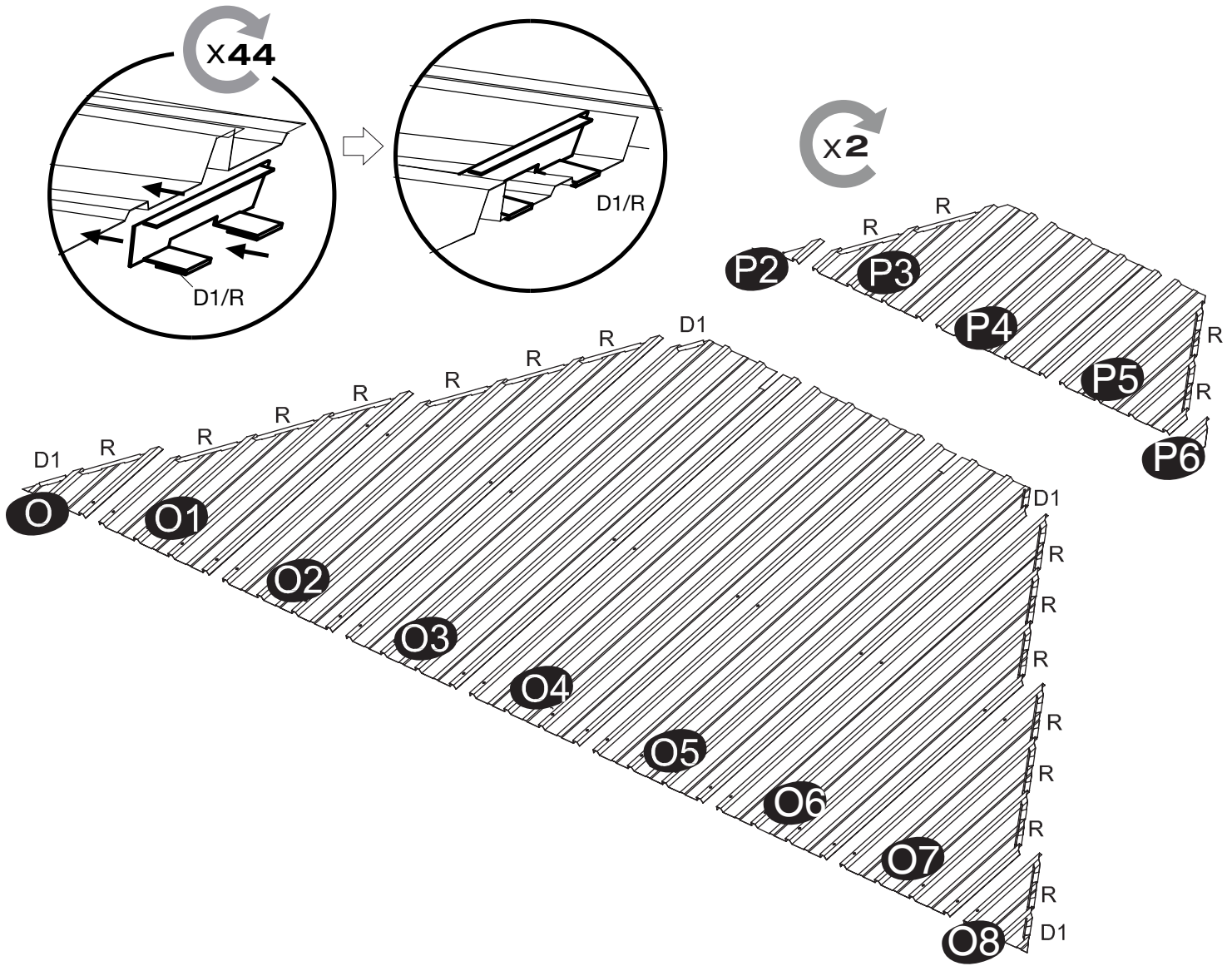
Vx4

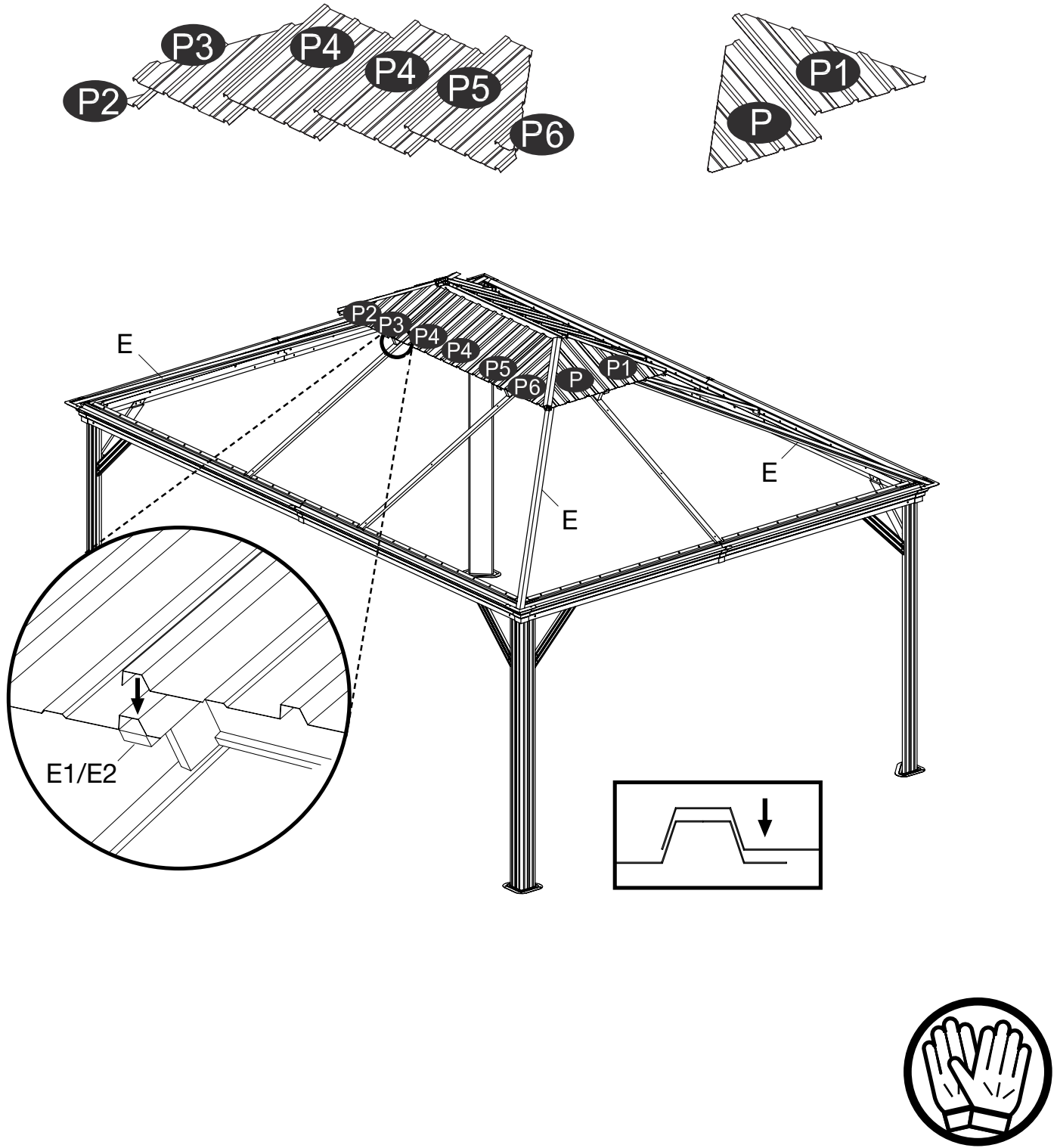


|          |           |          |
|----------|-----------|----------|
| <br>Jx2  | <br>M2 x4 | <br>Vx10 |
| <br>J1x2 |           |          |

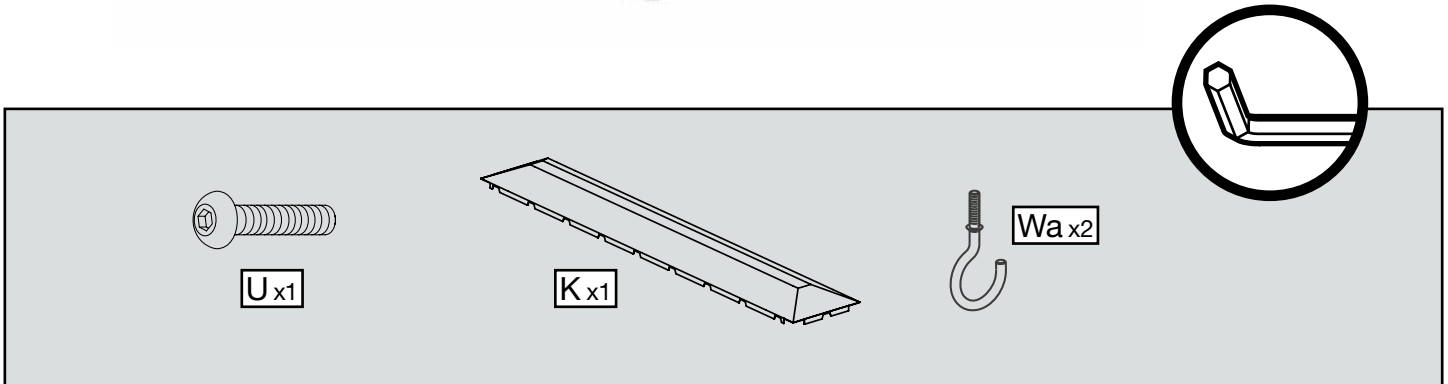
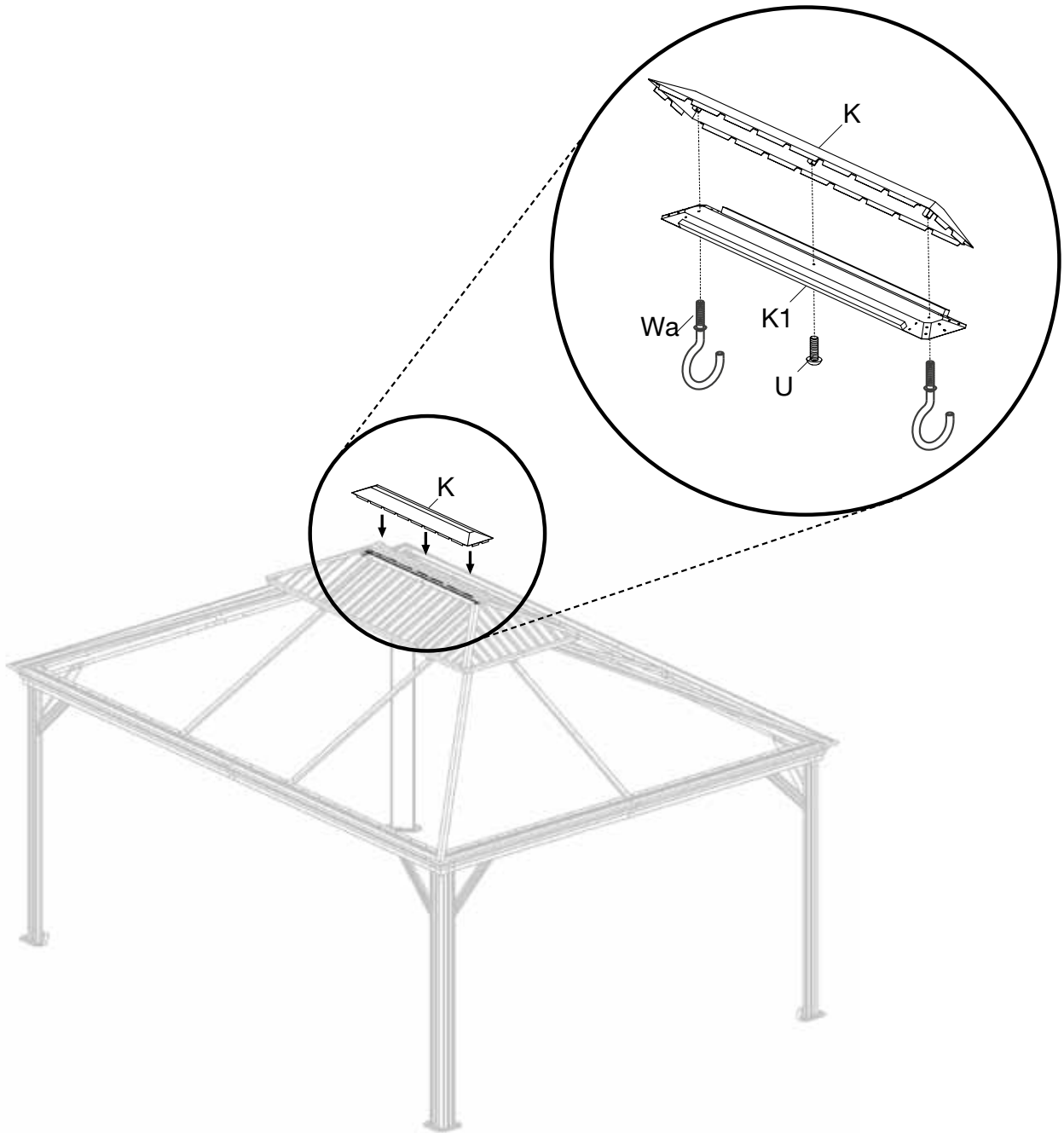
# 15A/20

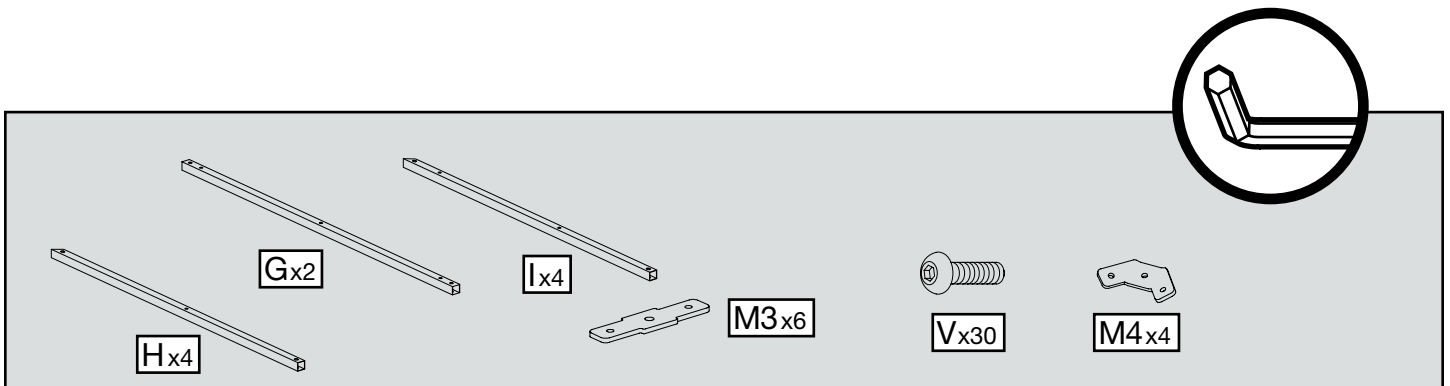
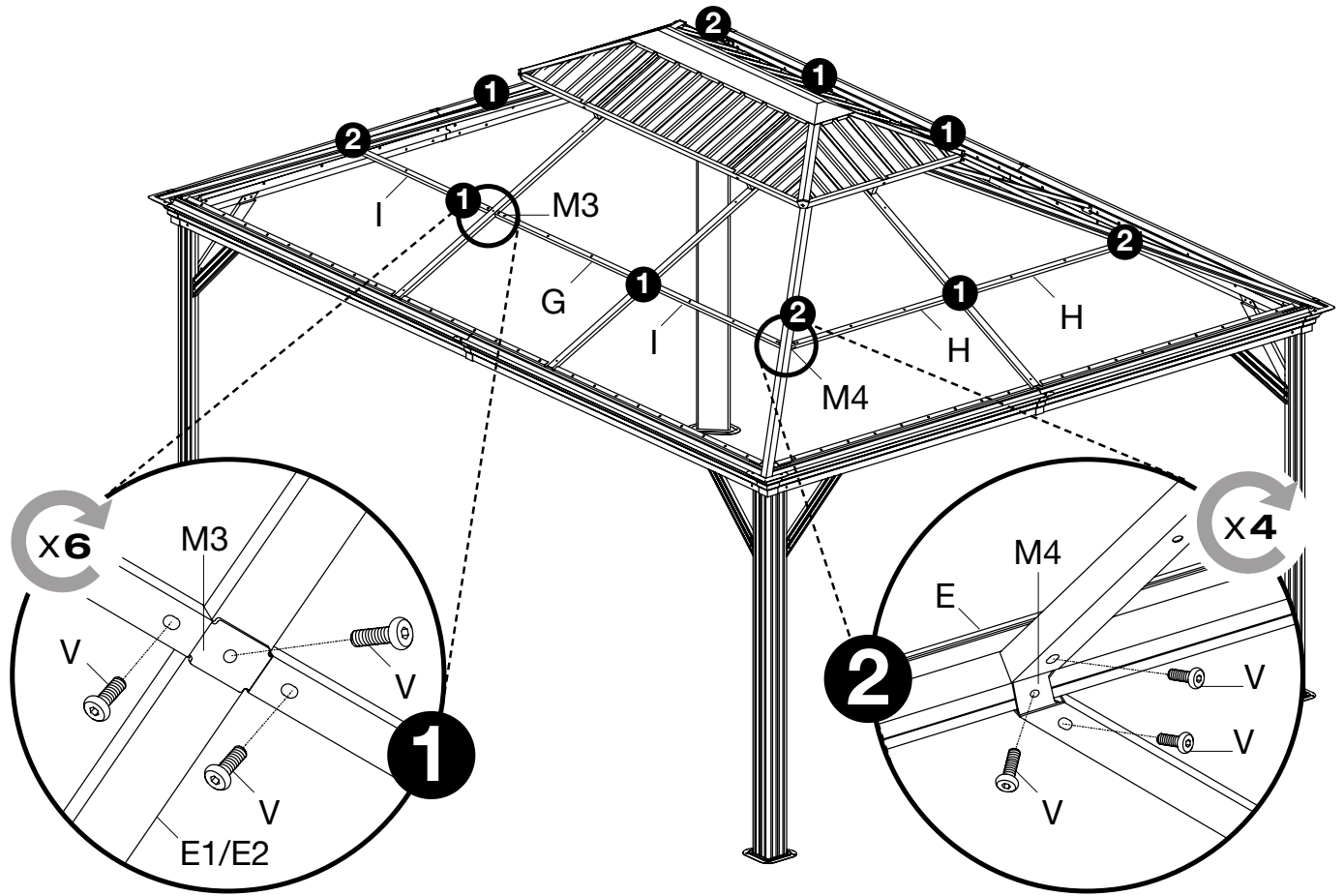


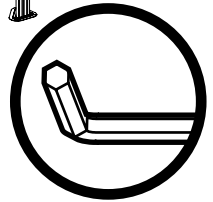
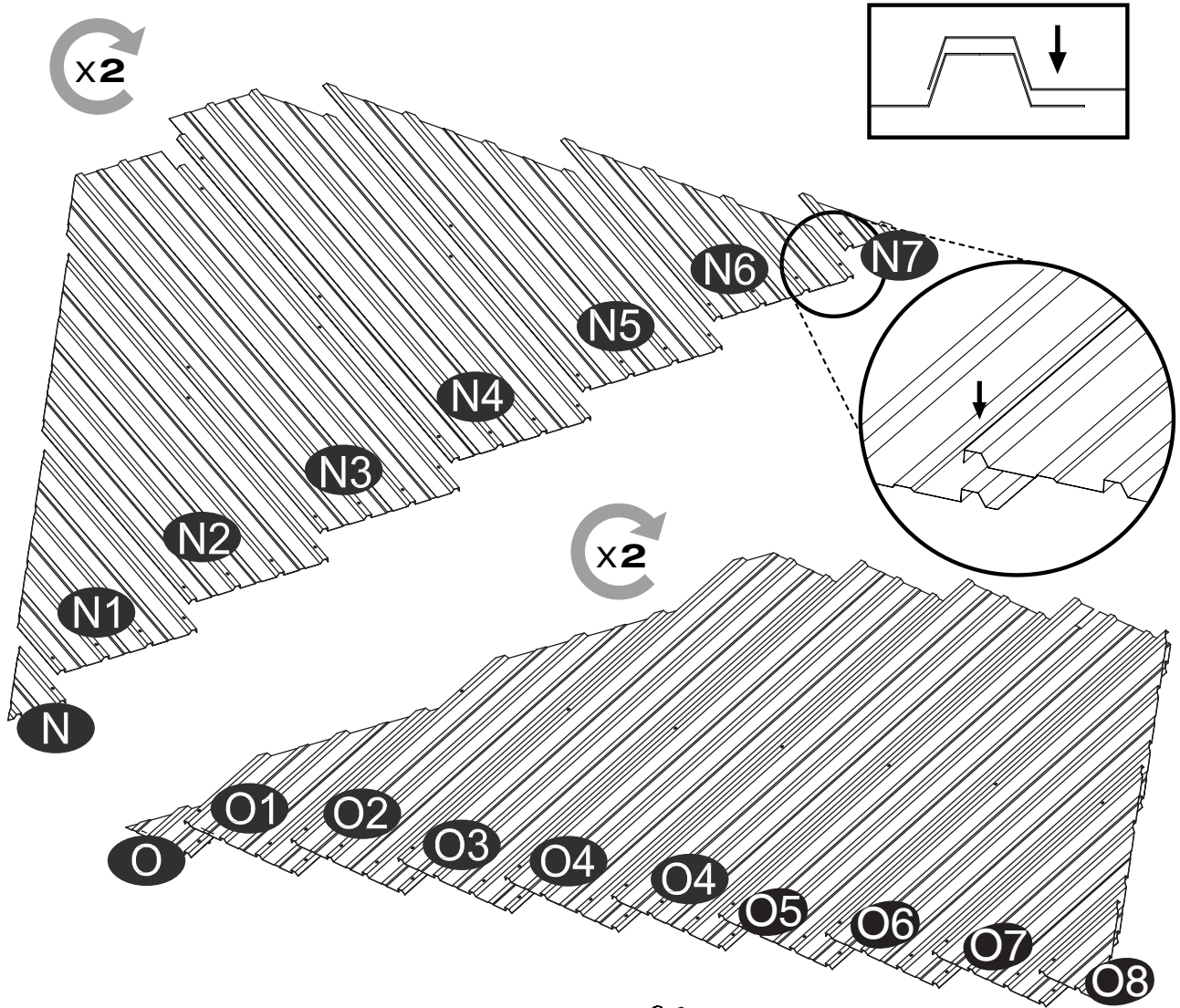


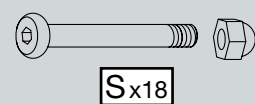
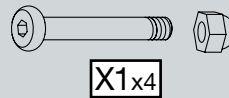
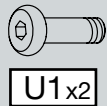
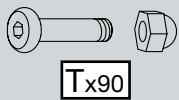
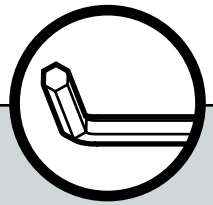
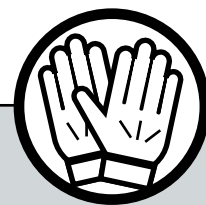
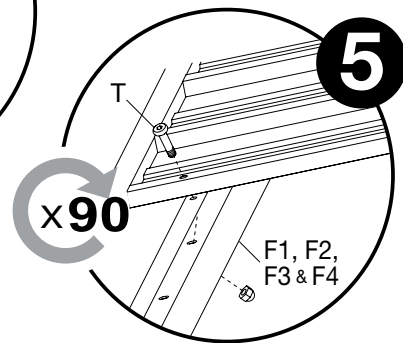
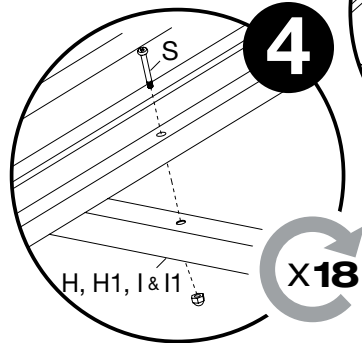
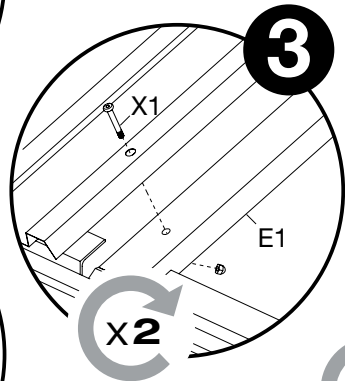
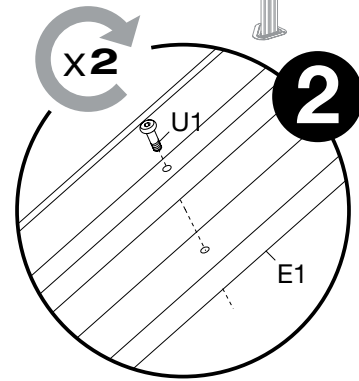
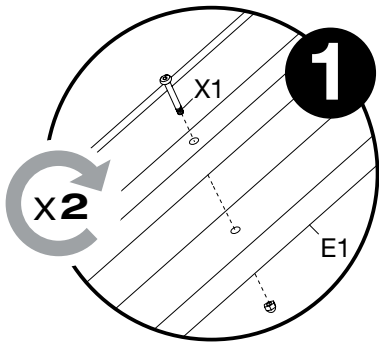
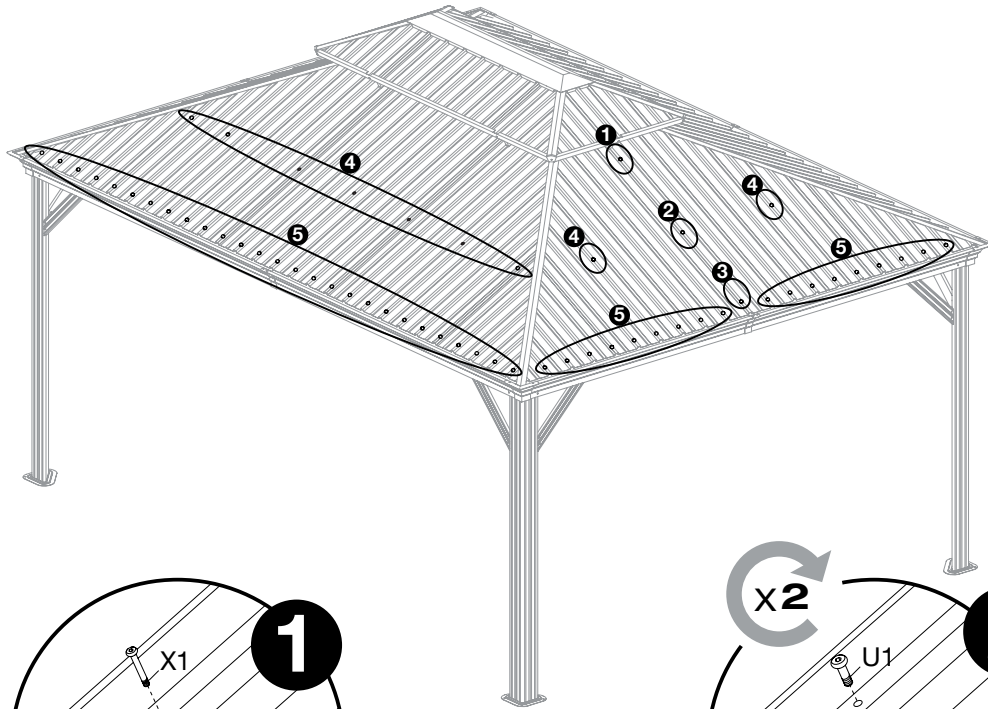


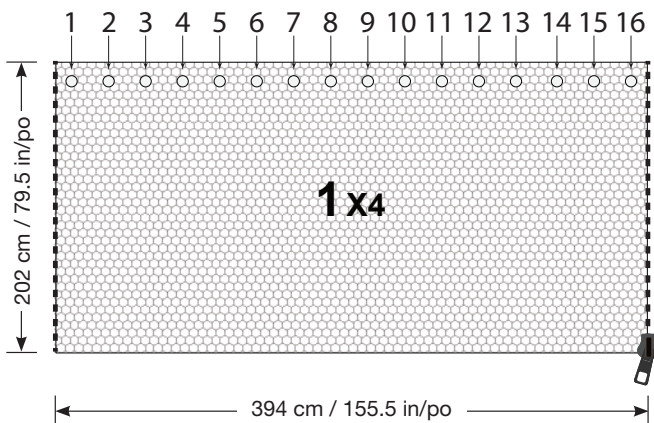
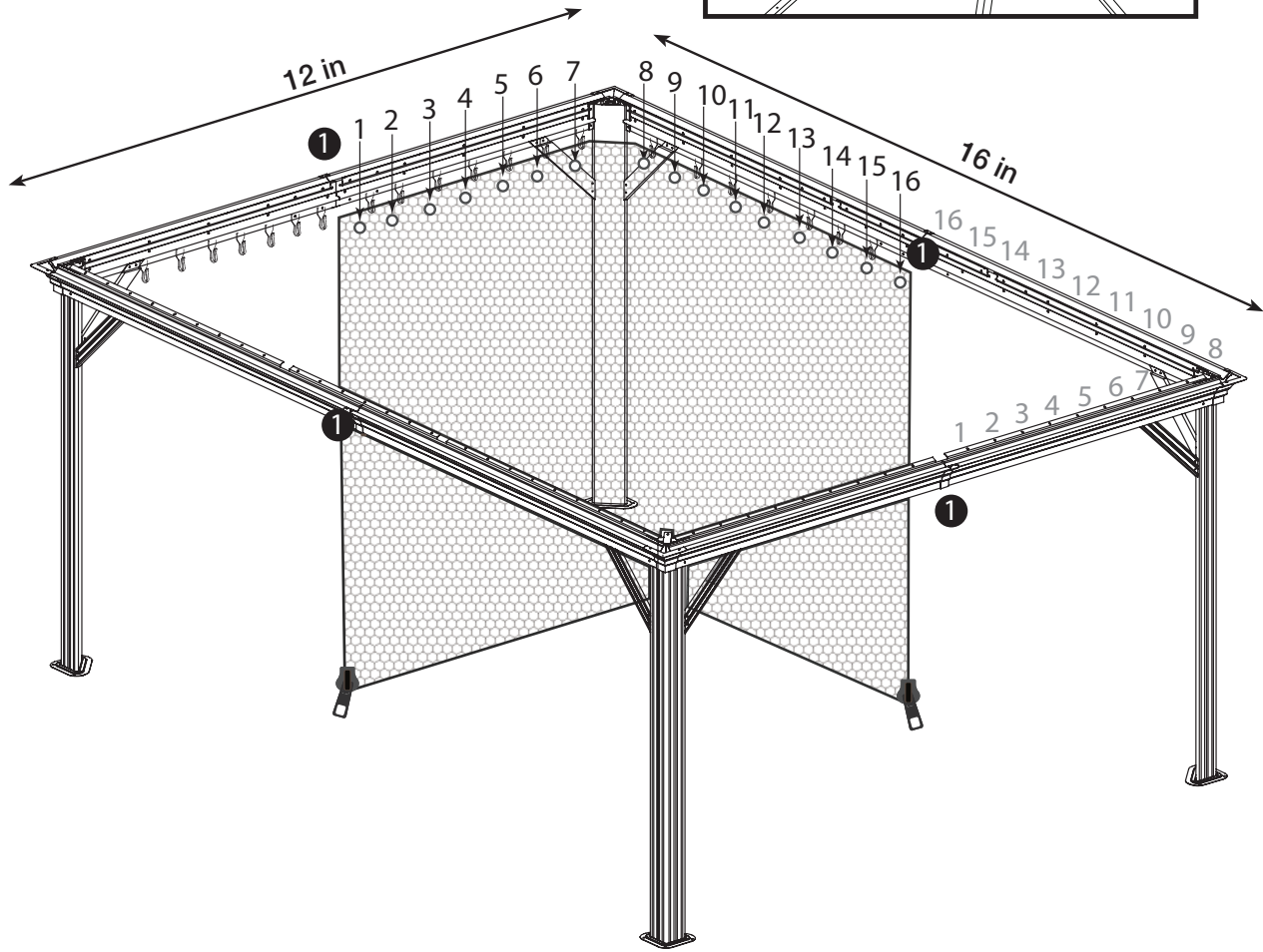
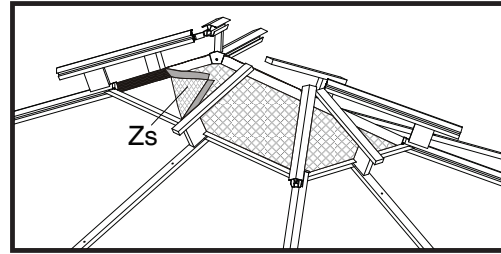
















Distributed by:  
Costco Wholesale Corporation  
P.O. Box 34535  
Seattle, WA 98124-1535  
USA  
1-800-774-2678  
www.costco.com

Costco Wholesale Canada Ltd.\*  
415 W. Hunt Club Road  
Ottawa, Ontario  
K2E 1C5, Canada  
1-800-463-3783  
www.costco.ca

\* faisant affaire au Québec sous  
le nom les Entrepôts Costco

Costco Wholesale UK Ltd /  
Costco Online UK Ltd  
Hartspring Lane  
Watford, Herts  
WD25 8JS  
United Kingdom  
01923 213113  
www.costco.co.uk

Costco Wholesale Spain S.L.U.  
Polígono Empresarial Los Gavilanes  
C/ Agustín de Betancourt, 17  
28906 Getafe (Madrid) España  
NIF: B86509460  
900 111 155  
www.costco.es

Costco Wholesale Japan Ltd.  
3-1-4 Ikegami-Shincho  
Kawasaki-ku, Kawasaki-shi,  
Kanagawa 210-0832 Japan  
0570-032600  
www.costco.co.jp

Costco Wholesale Korea, Ltd.  
40, Iljik-ro  
Gwangmyeong-si  
Gyeonggi-do, 14347, Korea  
1899-9900  
www.costco.co.kr

Importado por:  
Importadora Primex S.A. de C.V.  
Blvd. Magnocentro No. 4  
San Fernando La Herradura  
Huixquilucan, Estado de México  
C.P. 52765  
RFC: IPR-930907-S70  
(55)-5246-5500  
www.costco.com.mx

Costco Wholesale Australia Pty Ltd  
17-21 Parramatta Road  
Lidcombe NSW 2141  
Australia  
www.costco.com.au

Costco Wholesale Iceland ehf.  
Kauptún 3-7, 210 Gardabaer  
Iceland  
www.costco.is

Shanghai Minhang Costco Trading Co., Ltd  
No.235 ZhuJian Road  
Minhang District, Shanghai  
China 201106  
+86-21-6257-7065

Costco President Taiwan, Inc.  
No. 656 Chung-Hwa 5th Road  
Kaohsiung, Taiwan  
Company Tax ID: 96972798  
449-9909 or 02-449-9909 (if cellphone)  
www.costco.com.tw

Costco France  
1 avenue de Bréhat  
91140 Villebon-sur-Yvette  
France  
01 80 45 01 10  
www.costco.fr

MADE IN CHINA  
FABRIQUÉ EN CHINE  
HECHO EN CHINA





**SOJAG** ■ I  
produits saisonniers • seasonal products