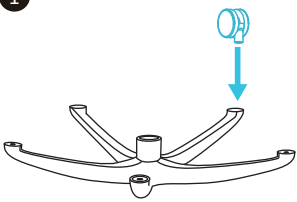
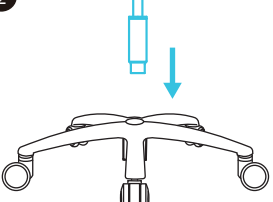
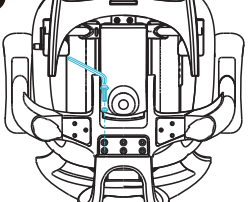
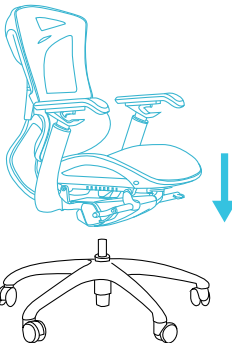
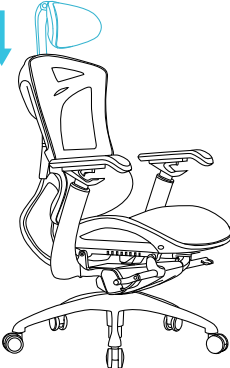



User Manual

Assemble Introduction (The size will be according to regular measurements)







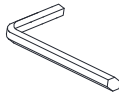
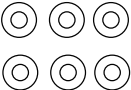
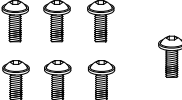
<p>1</p> 	<p>2</p> 	<p>3</p> 
<p>Insert the castors into base.</p>	<p>Insert the gas lift into base.</p>	<p>Fix the assembled backrest to seat with 6pcs screws (M8*16).</p>
<p>4</p> 	<p>5</p> 	
<p>Put the assembled upper parts into gas lift.</p>	<p>Insert the headrest into backrest, the chair assembled.</p>	

<p>Pls read the Safety Instructions below carefully.</p> 	<ol style="list-style-type: none"> 1. Please use on the flat floor and one chair can only bear one person's weight; 2. To avoid using the wrong screws, please fix all the screws before tightening them; 3. Please don't let the child sit on the chair alone if he is under 5 year-old; 4. Please don't sit on the armrest, in case cause some danger; 5. Do not stand on the chair or use it as a ladder or footsteps; 6. Please don't overweight on the chair, or used as trolley; 7. Don't use sharp or hooked objects to scrape the chair and do not get it close to the fire; 8. To avoid any harm to your fingers. Don't insert your finger into the mechanism while sitting.
--	---

Functions (The size will be according to regular measurements)



Parts list (The size will be according to regular measurements; One more as a backup)

			
<p>Castor:5pcs</p>	<p>Base:1pc</p>	<p>Gas lift:1pc</p>	<p>Assembled seat & armrest:1set</p>
			
<p>Assembled backrest:1pc</p>	<p>Headrest:1pc</p>	<p>Hex wrench:1pc</p>	<p>Shims:6pcs</p>
			
<p>Screws (M8*16):6+1pcs</p>			
