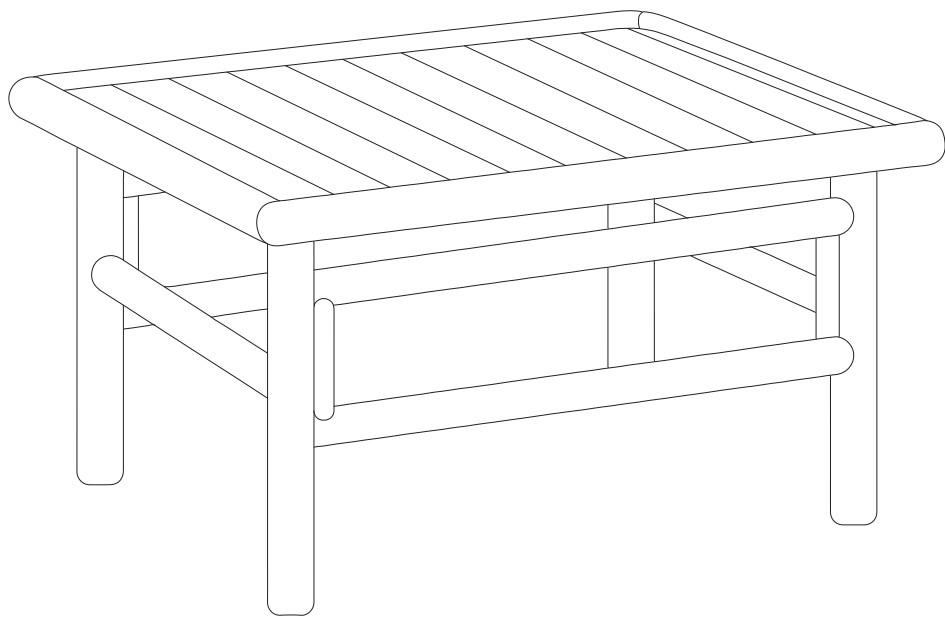


CERRETO



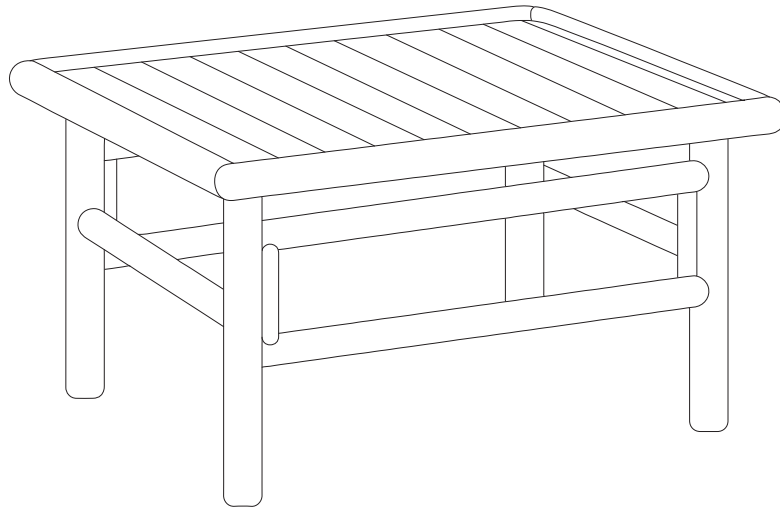
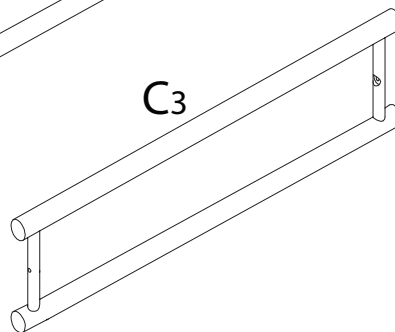
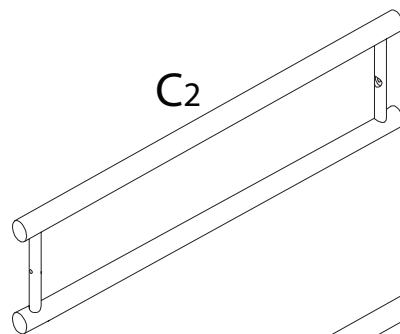
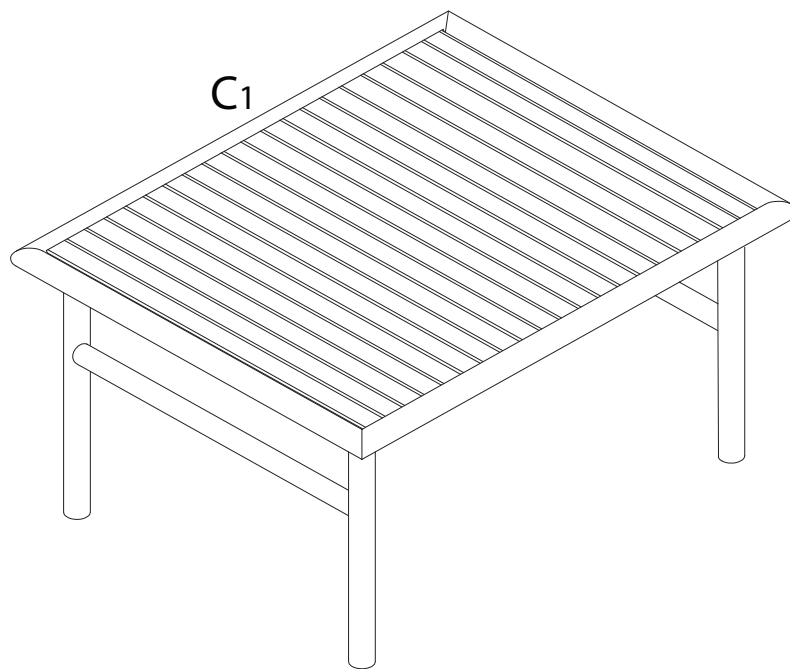
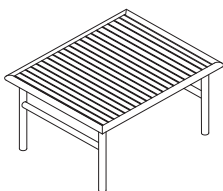
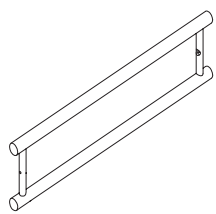
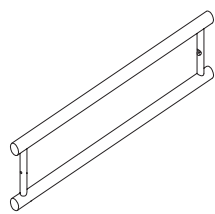
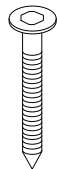
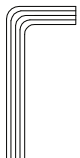


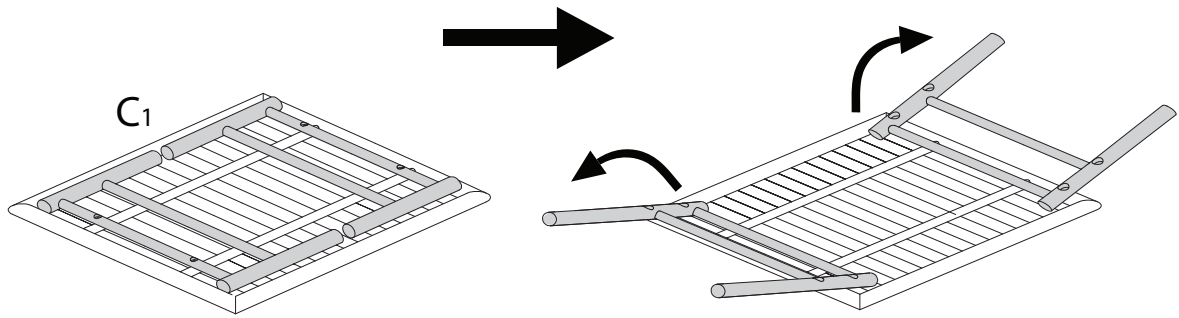
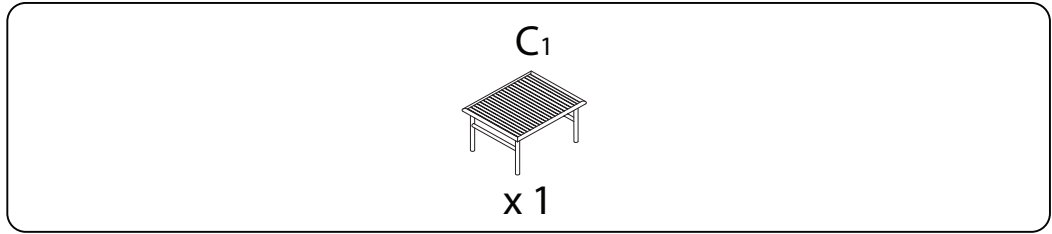
Diagram illustrating assembly steps and safety warnings:

- Step 1:** Shows an L-shaped corner bracket and a power drill with a slash through it, indicating that a power drill should not be used. A warning triangle with an exclamation mark is present.
- Step 2:** Shows a rectangular block being placed on a surface and another block being attached to it with a screw. A warning triangle with an exclamation mark is present.
- Time:** A clock icon indicates a duration of 15 minutes.
- Personnel:** An icon of a person indicates that 2 people are required for assembly.

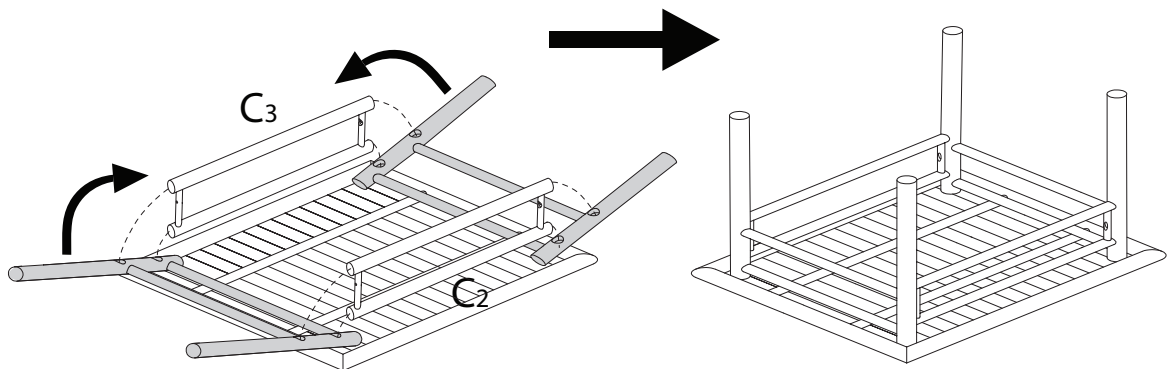
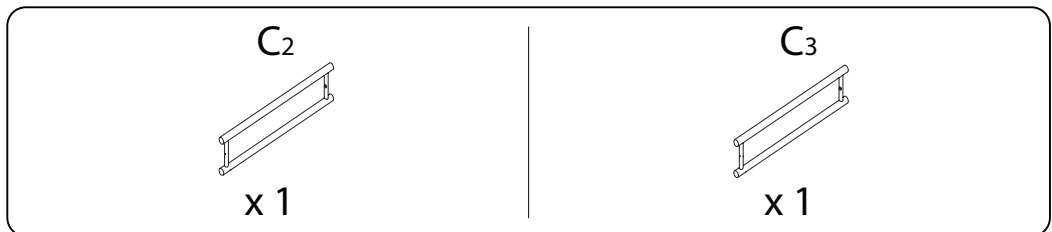


C1  x 1	C2  x 1	C3  x 1	1  M6 x 40 x 4	2  x 1
--	--	--	---	---

1



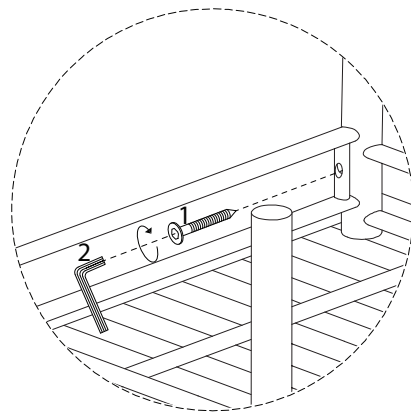
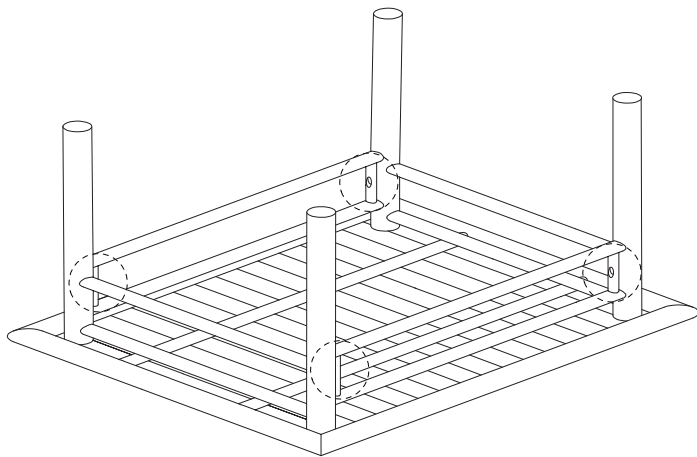
2



3

1
M6
x
40
x 4

2
x 1



!

