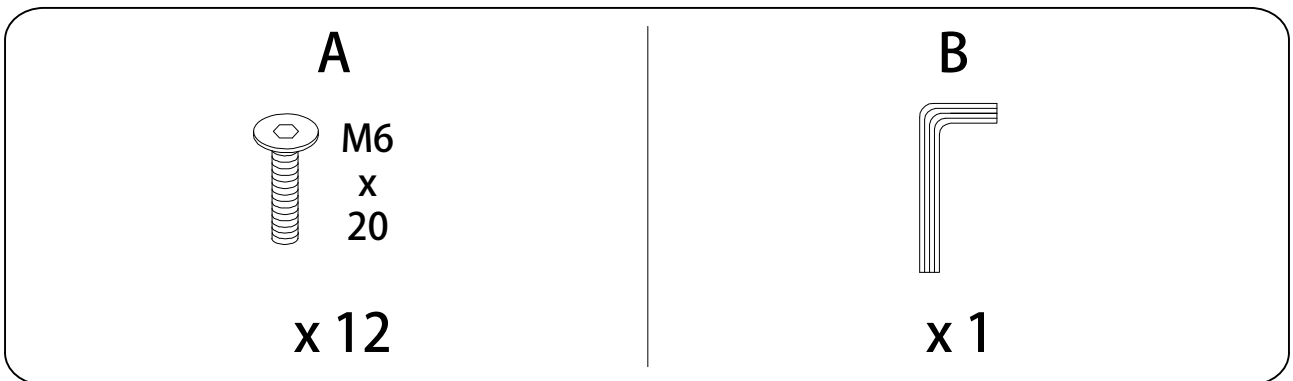
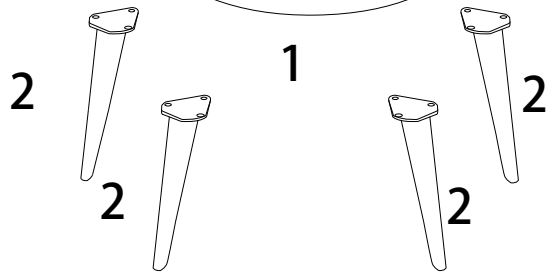
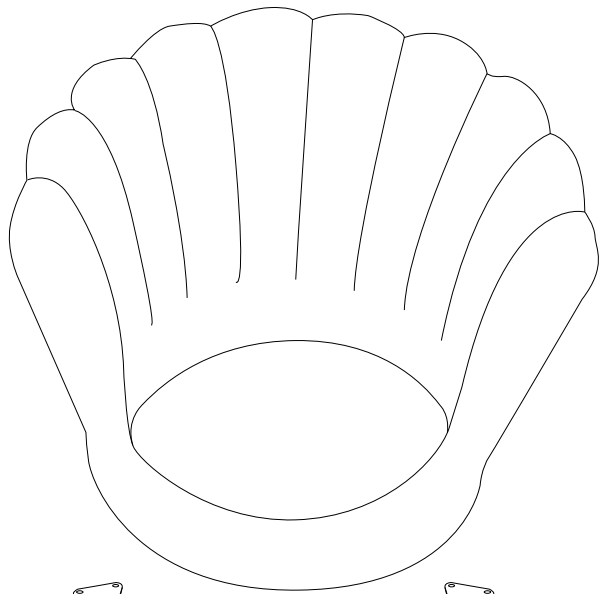
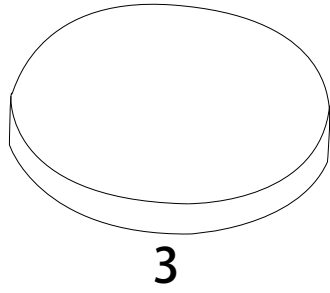
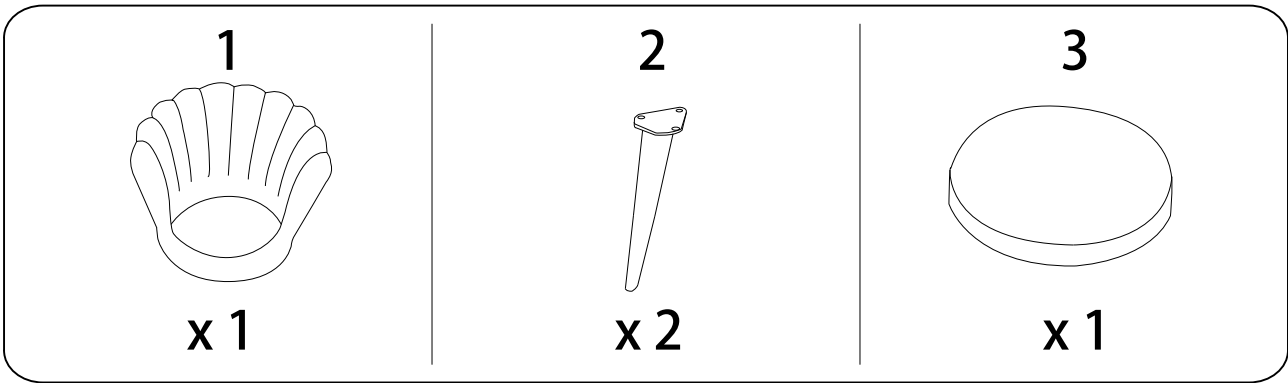


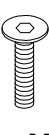
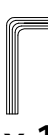


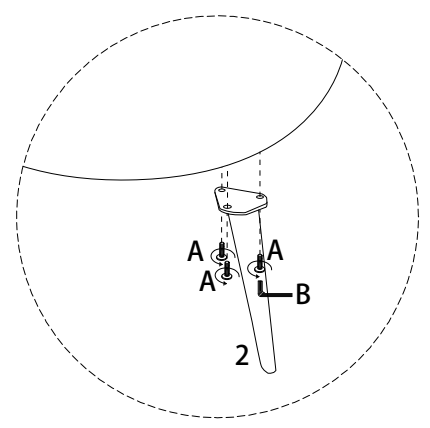
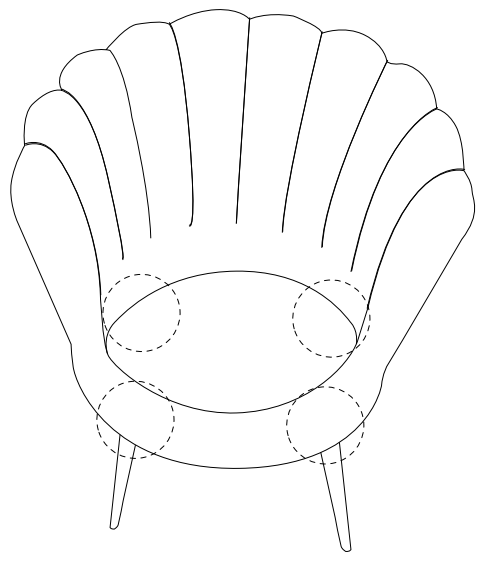
Assembly instruction 1: A box containing an L-shaped metal bracket, a crossed-out power drill, and a warning triangle. To the right is a clock icon and the text "20'".

Assembly instruction 2: A box containing a rectangular block being placed on a textured surface, a crossed-out block with a screw, and a warning triangle. To the right is a person icon and the text "1".

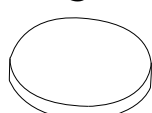


1

<p>1</p>  <p>x 1</p>	<p>2</p>  <p>x 4</p>	<p>A</p>  <p>M6 x 20</p> <p>x 12</p>	<p>B</p>  <p>x 1</p>
-------------------------------------------------------------------------------------------------------	-------------------------------------------------------------------------------------------------------	--------------------------------------------------------------------------------------------------------------------------------	---------------------------------------------------------------------------------------------------------



2

<p>3</p>  <p>x 1</p>
---------------------------------------------------------------------------------------------------------

