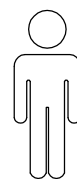
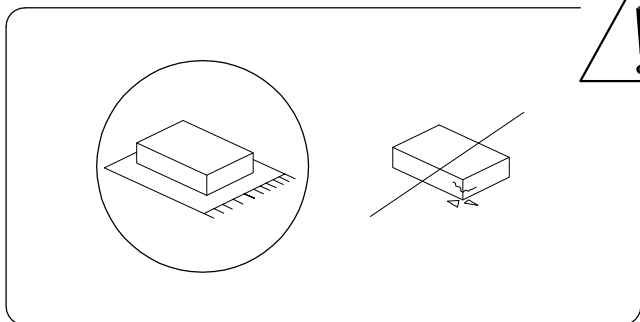
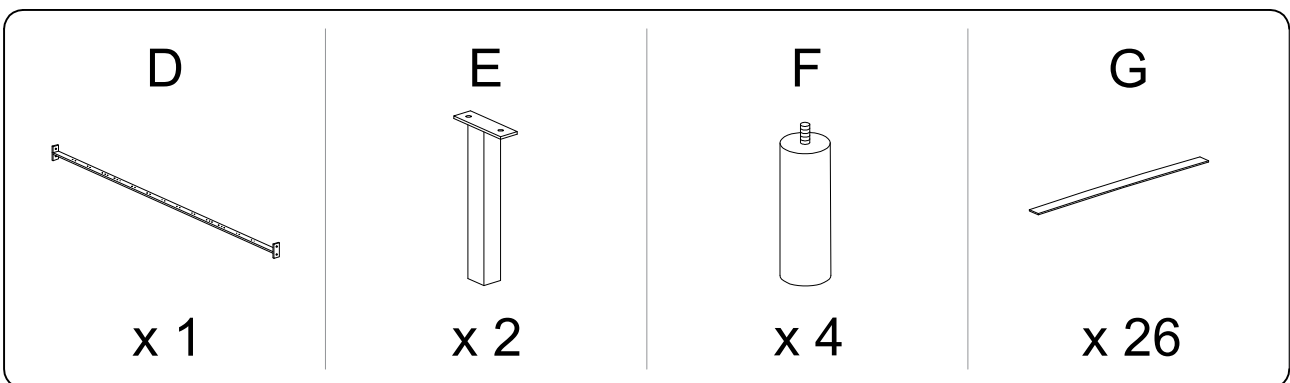
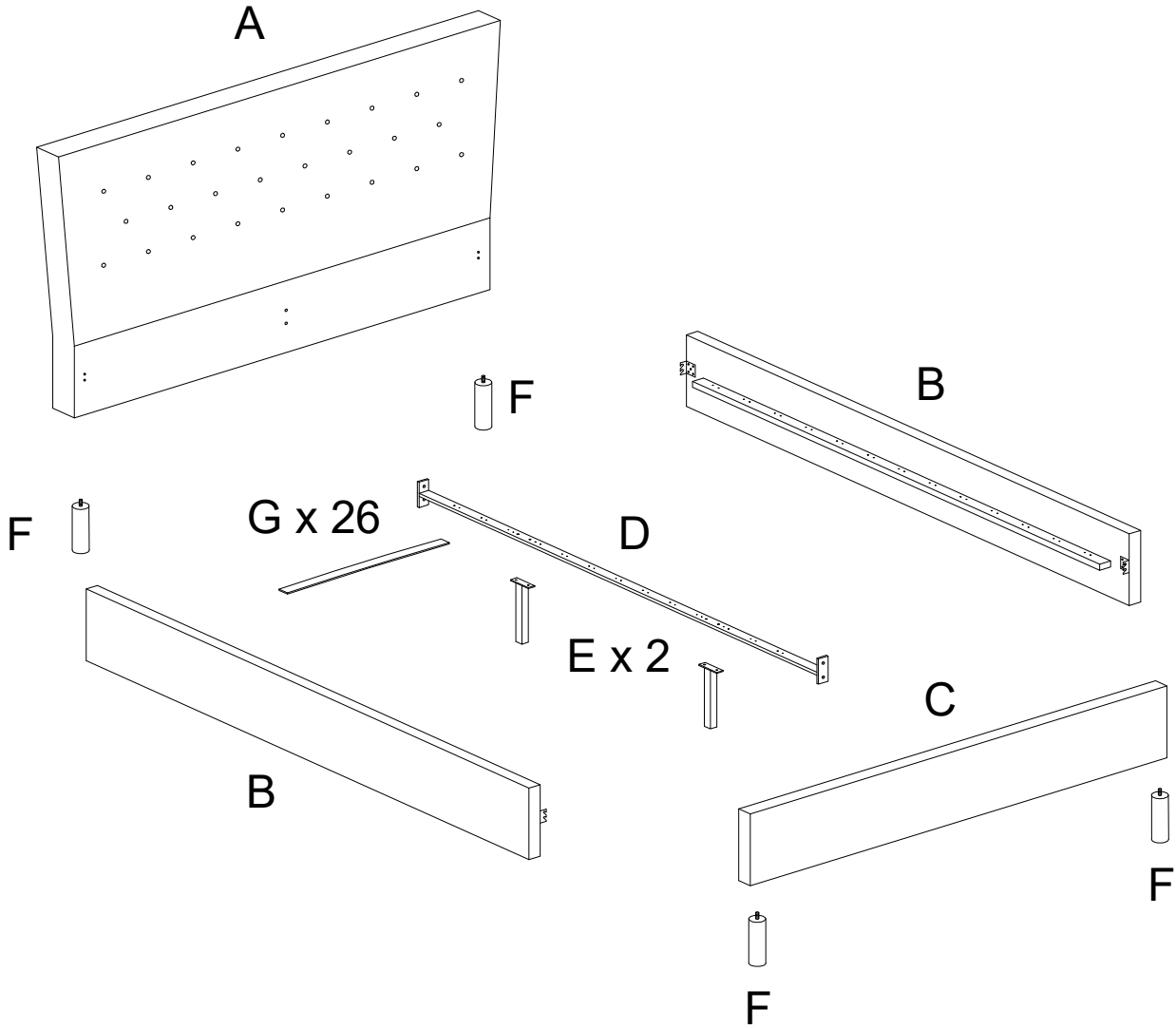
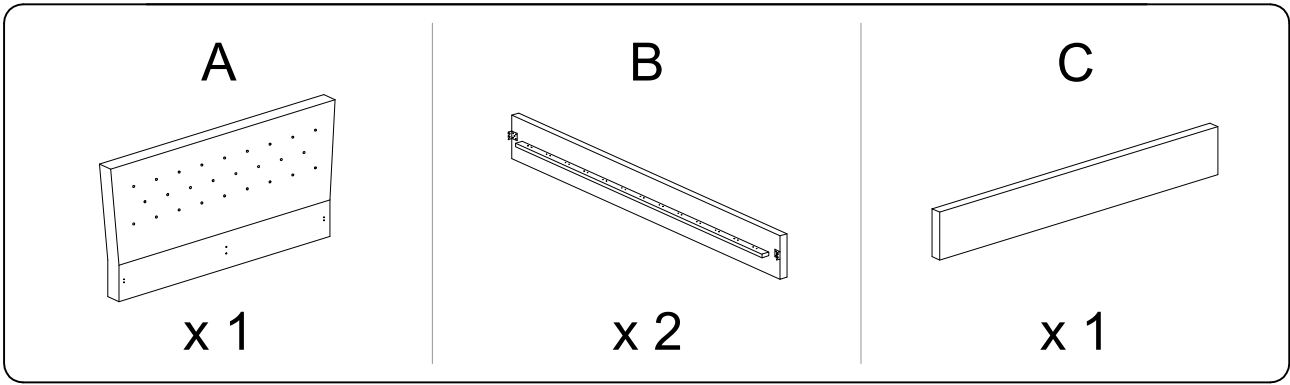


45'

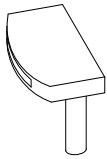


2

1/6

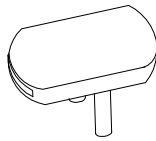


H



x 26

I



x 13

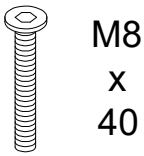
J



M8
x
30

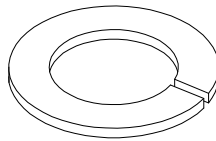
x 8

K



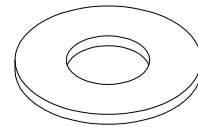
x 8

L



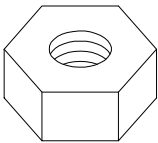
x 16

M



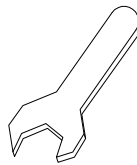
x 16

N



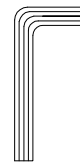
x 4

O



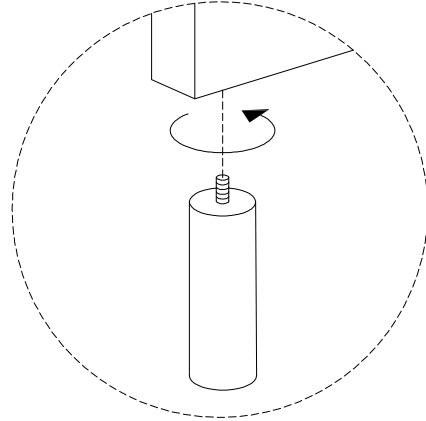
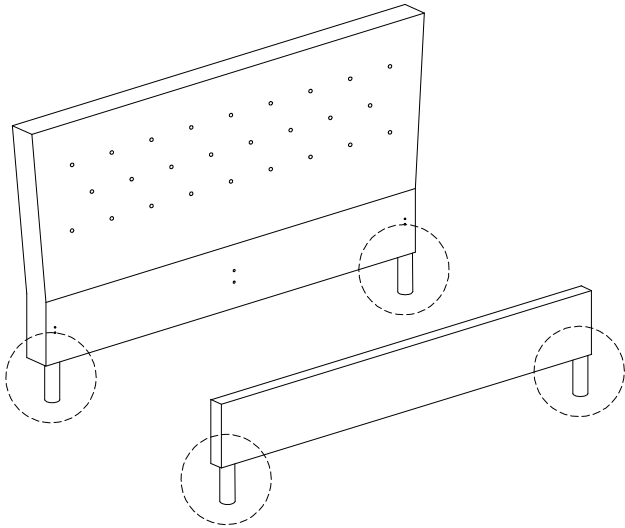
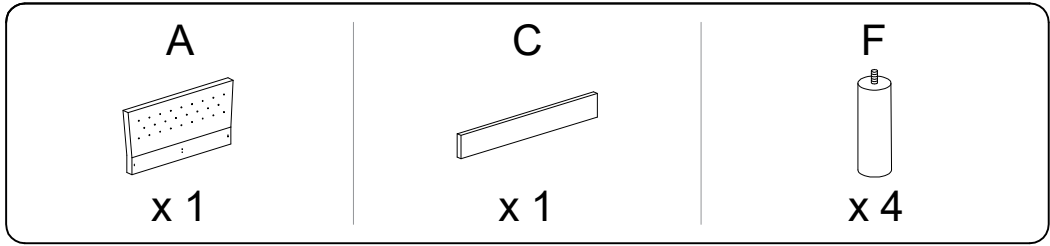
x 1

P

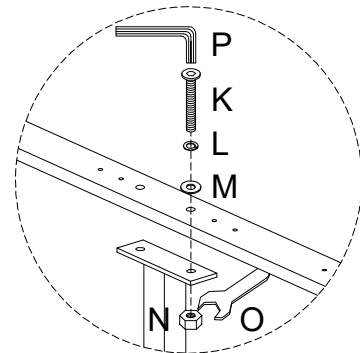
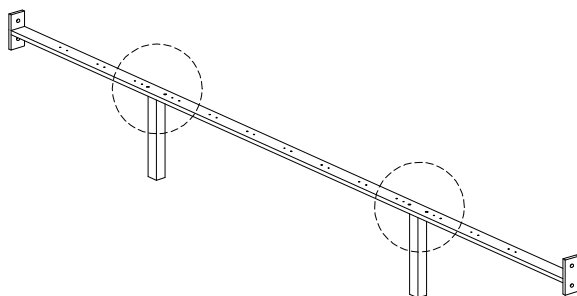
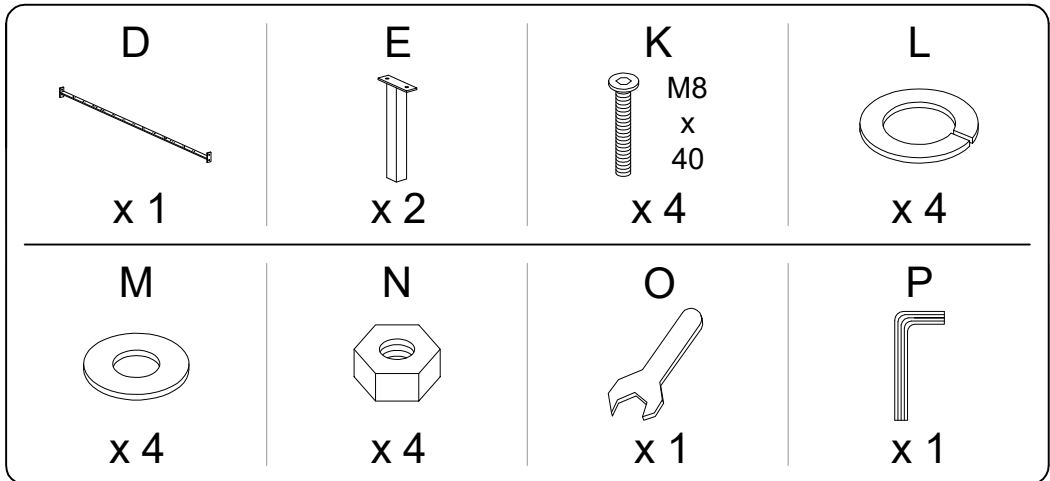


x 1

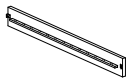
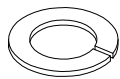
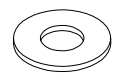
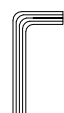
1

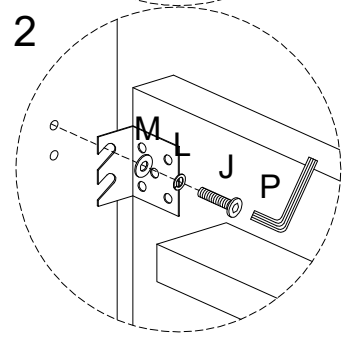
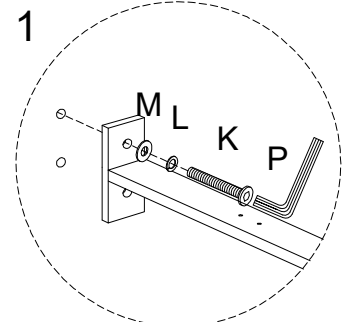
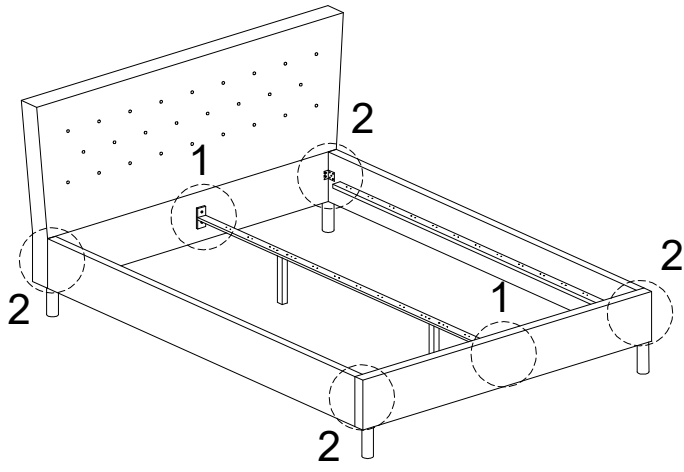


2



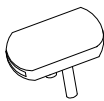


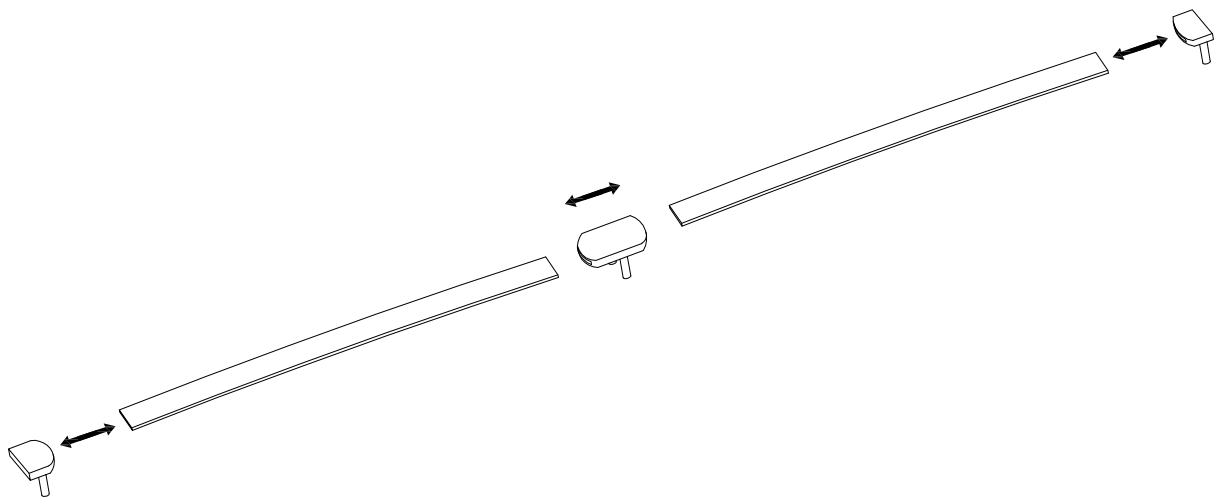
3

B  x 2	J M8 x 30 x 8	K M8 x 40 x 4	L  x 12	M  x 12	P  x 1
--	-------------------------------	-------------------------------	--	---	--



4

G  x 26	H  x 26	I  x 13
---	---	---



5

