

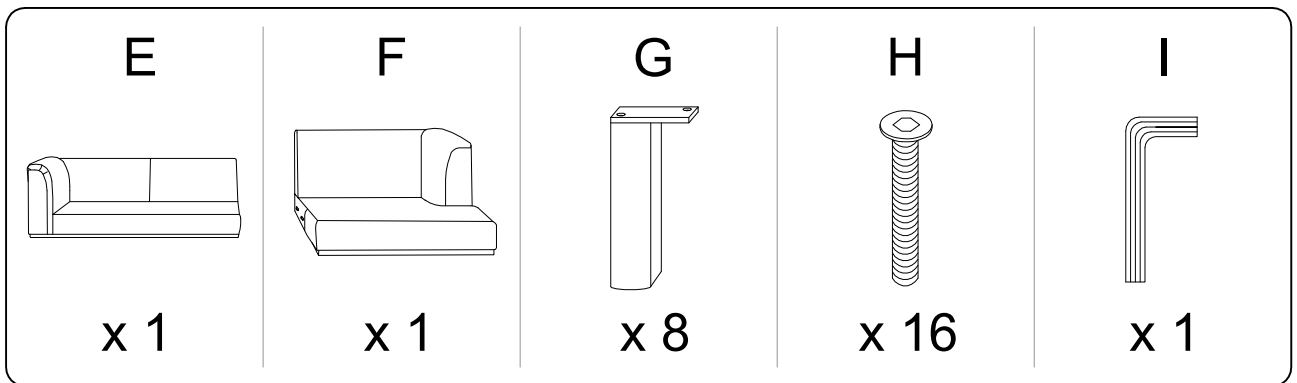
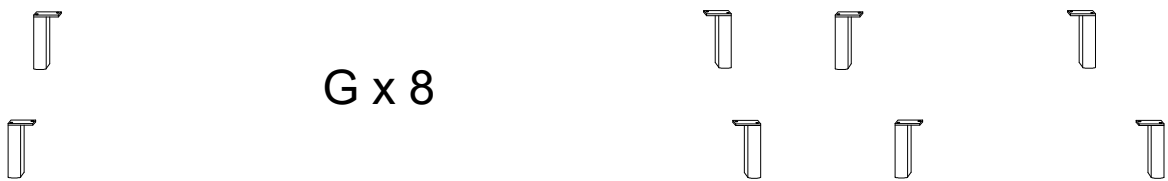
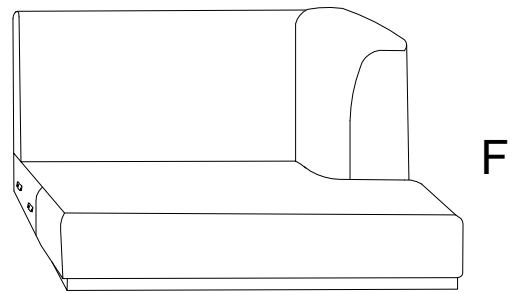
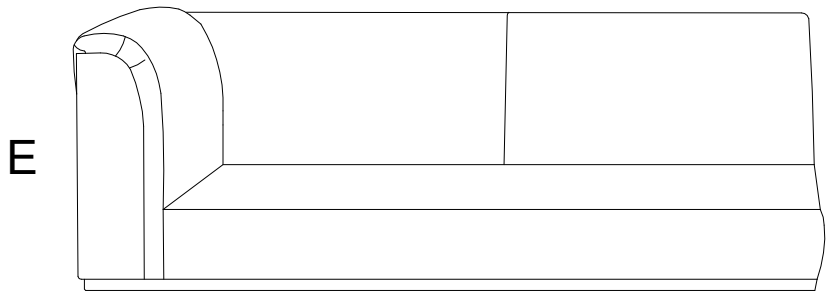
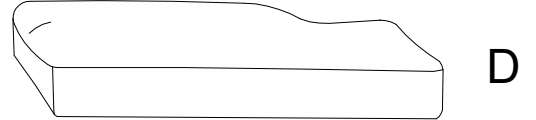
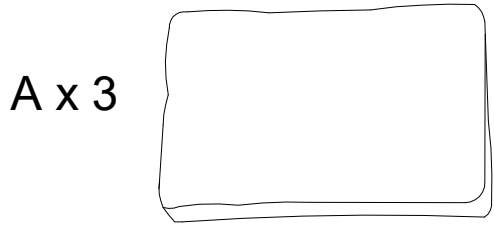
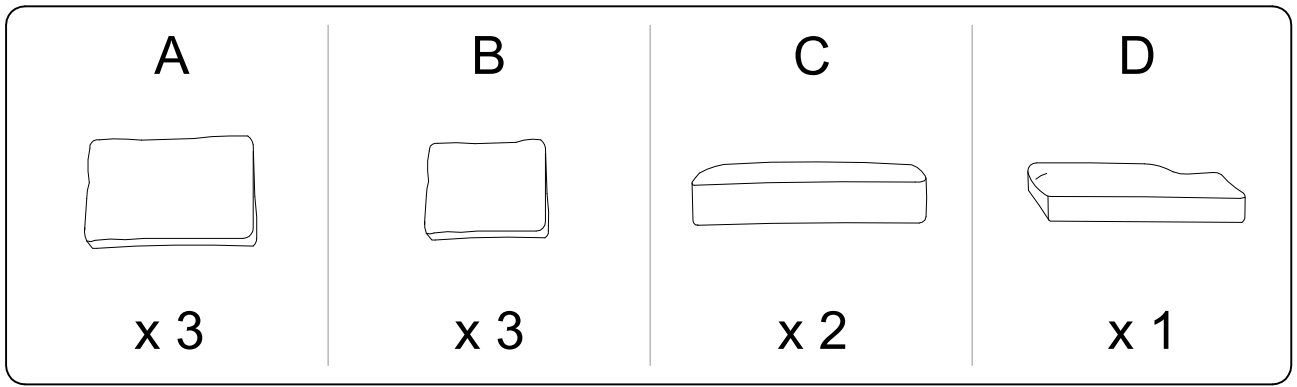
Assembly instructions for the sofa, including warnings, time, and person requirements.

**Warning 1:** Do not use a power drill. Use an Allen key (shown in a circle) instead.

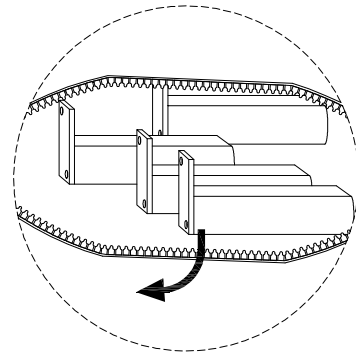
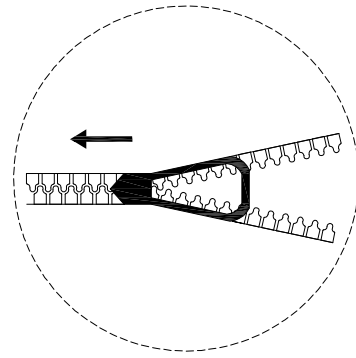
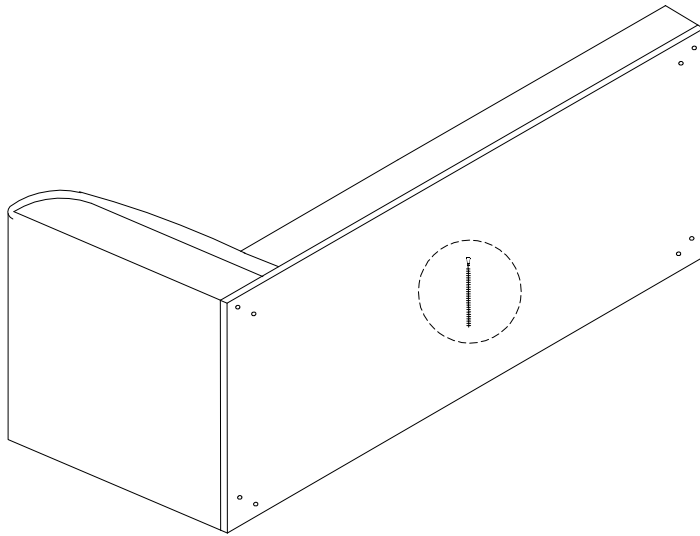
**Warning 2:** Do not use a power saw. Use a hand saw (shown in a circle) instead.

**Time:** 20'

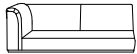
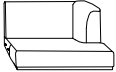


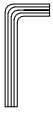
**Personnel:** 2

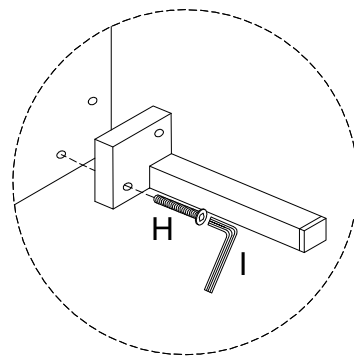
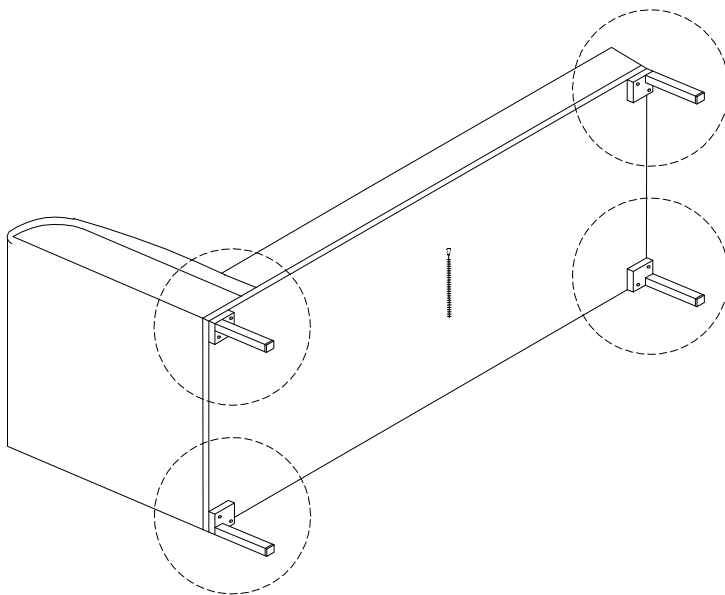


!

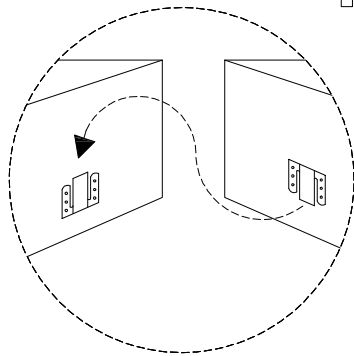
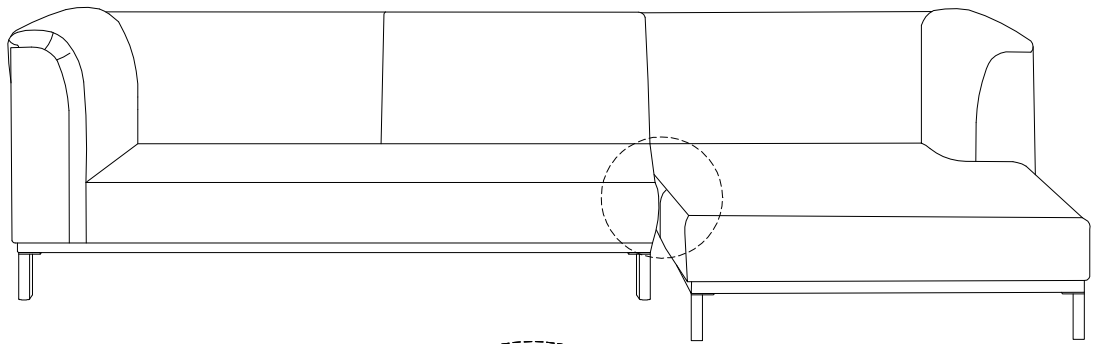


1

<b>E</b>  x 1	<b>F</b>  x 1	<b>G</b>  x 8	<b>H</b>  x 16	<b>I</b>  x 1
--	--	--	---	--



2



3

