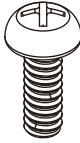
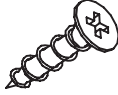
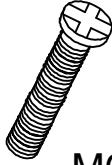
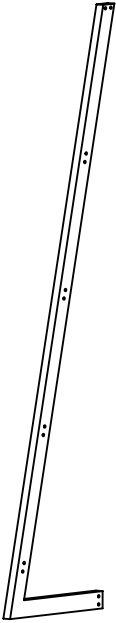
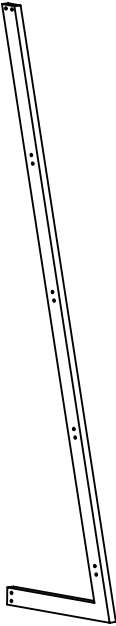
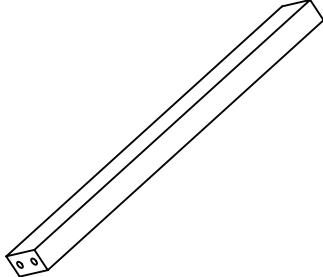
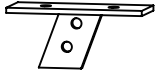
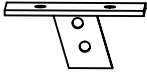
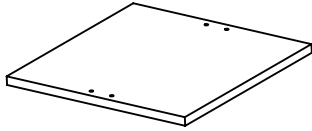




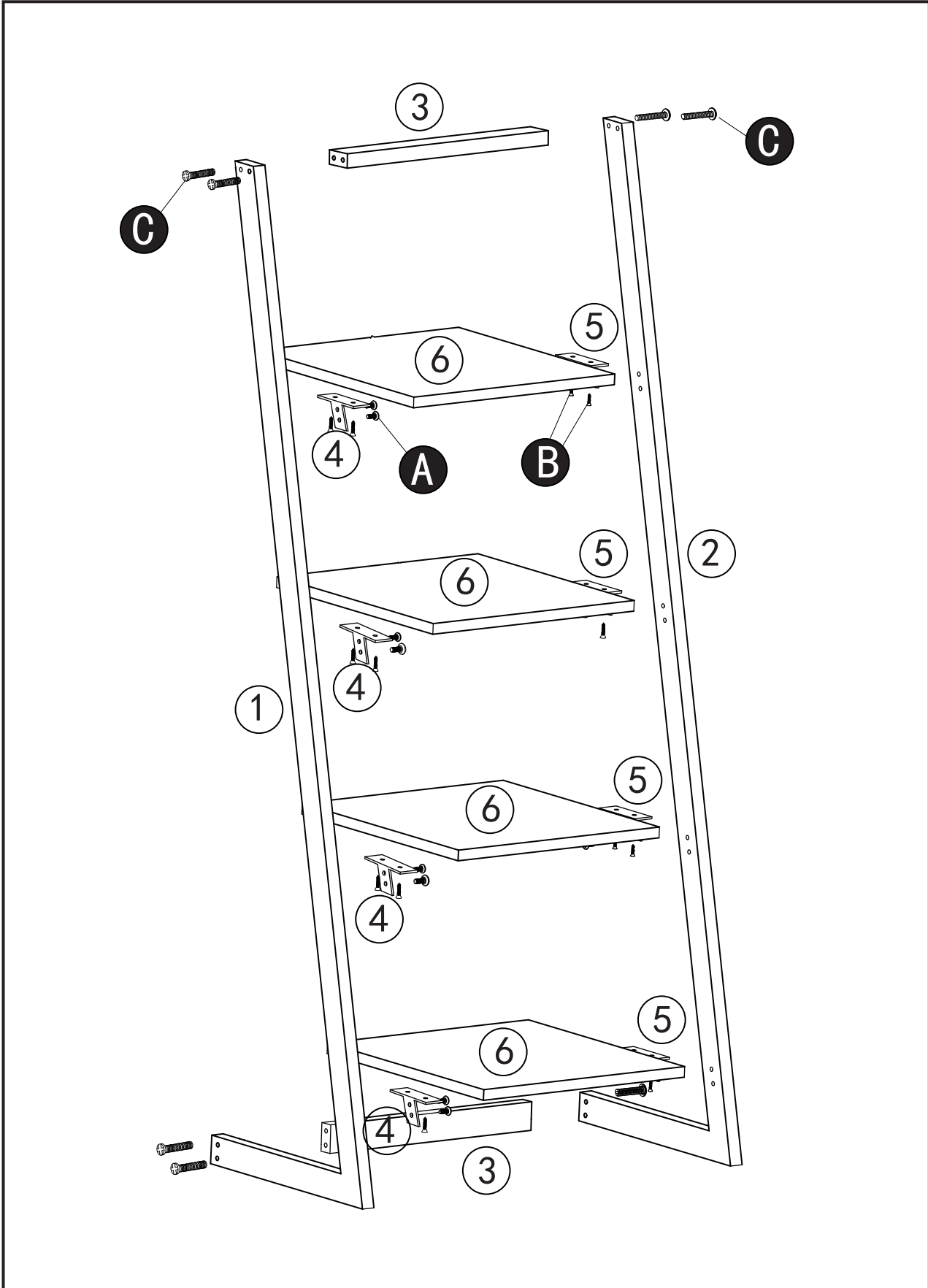
## Hardware List

<b>A</b>  M6x12	<b>B</b>  M4x12	<b>C</b>  M6x40
Frame Screw ( 16pcs )	Shelf Screw ( 16 pcs )	Rail Screw ( 8 pcs )

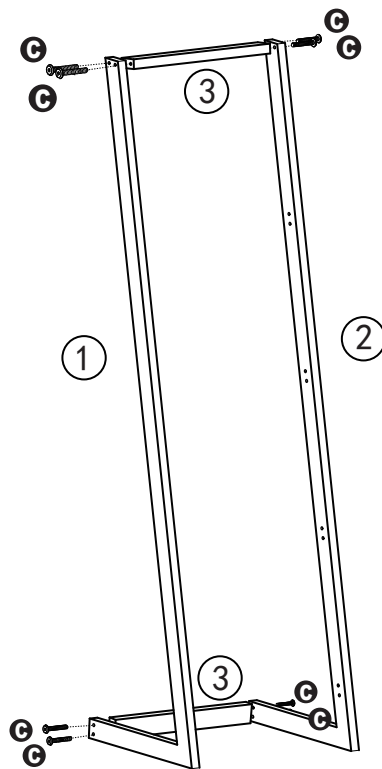
## Panel List

		
① Left Leg ( 1pcs )	② right leg ( 1pcs )	③ Connector Rail ( 2pcs )
		
④ Left Bracket ( 4pcs )	⑤ Right Bracket ( 4pcs )	⑥ Shelf ( 4pcs )

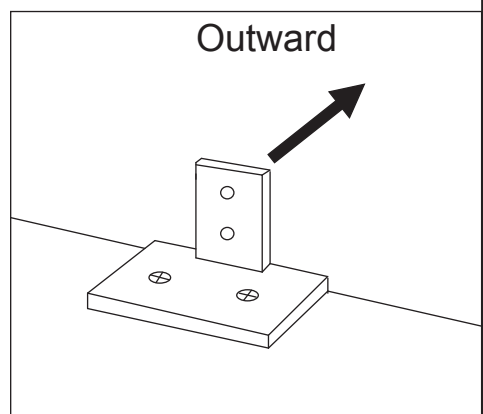
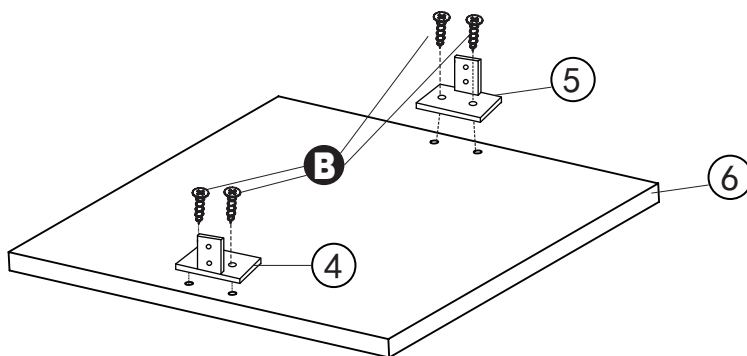
# Hardware List



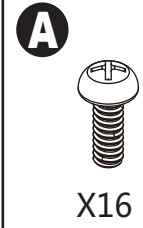
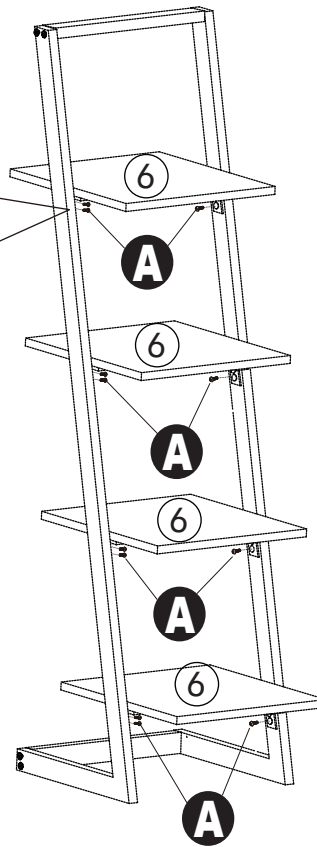
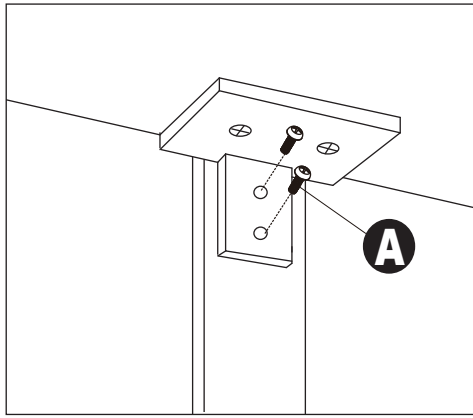
Step 1



Step 2



Step 3



Step 4

