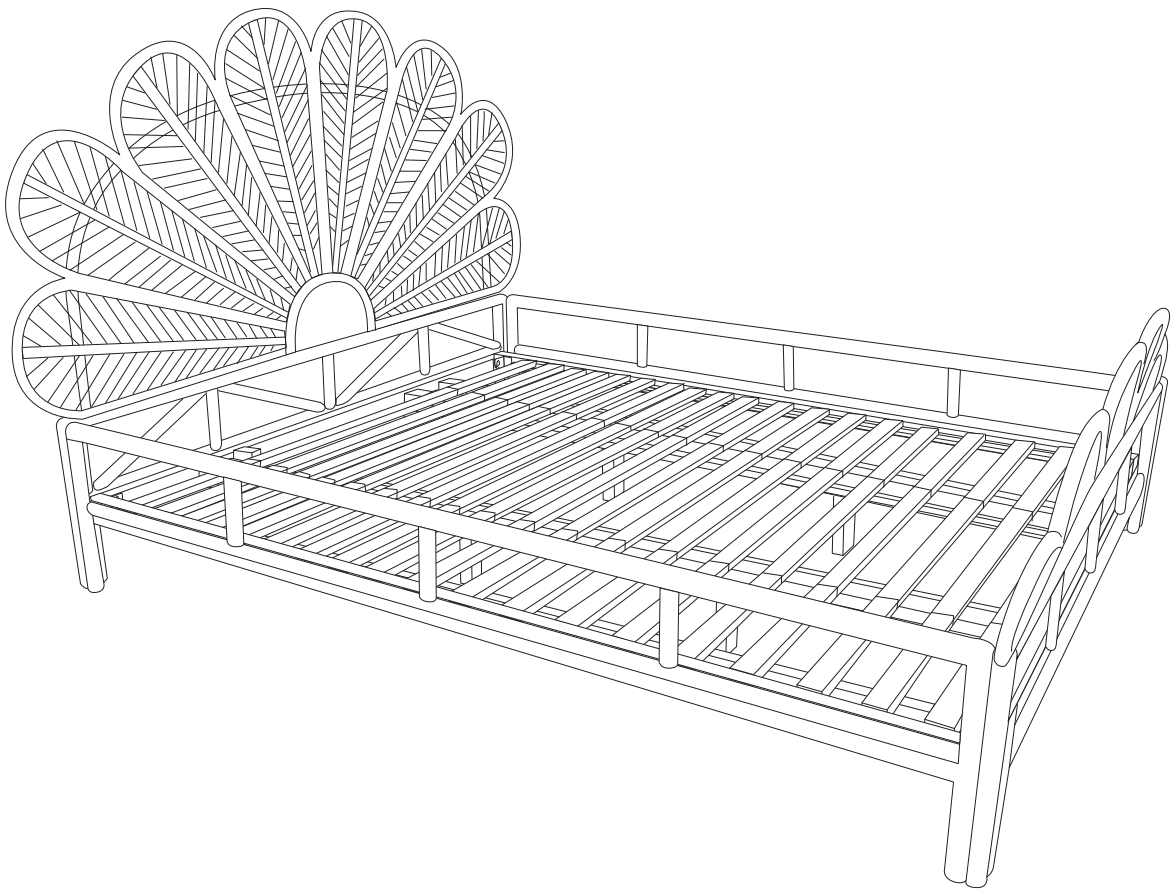
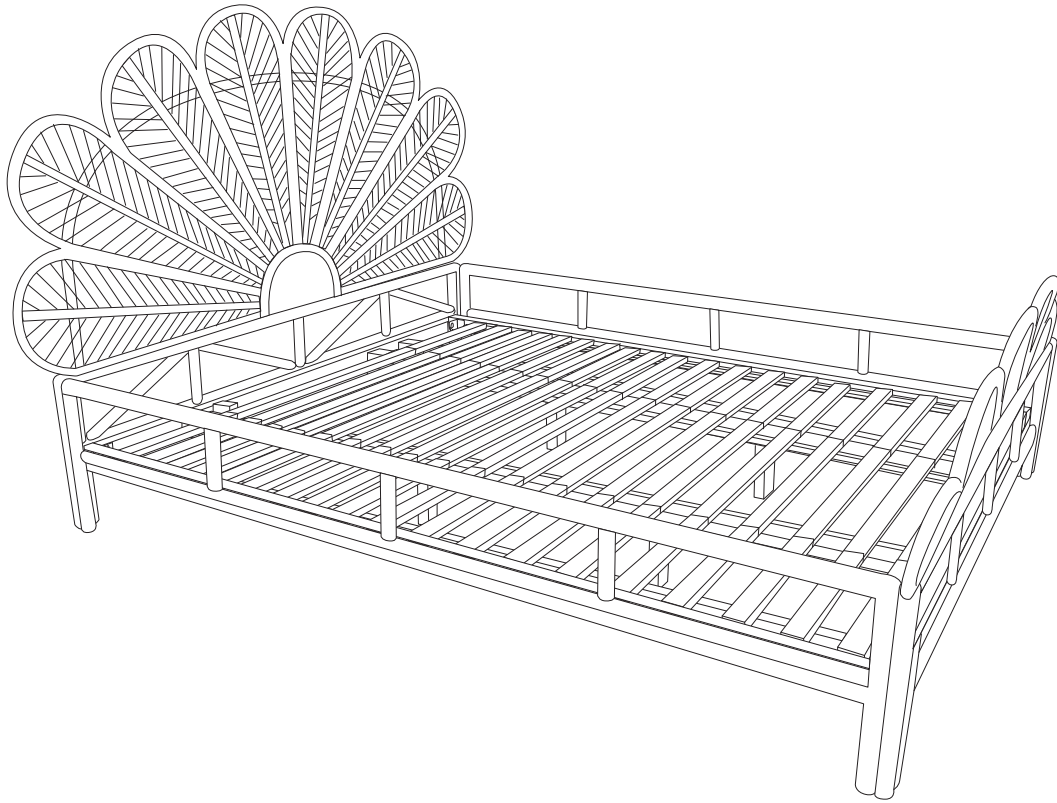
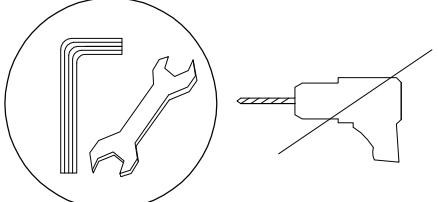

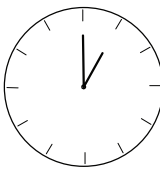
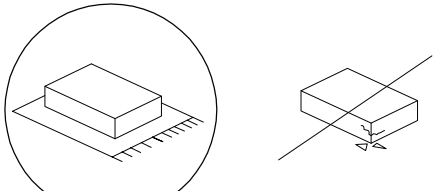


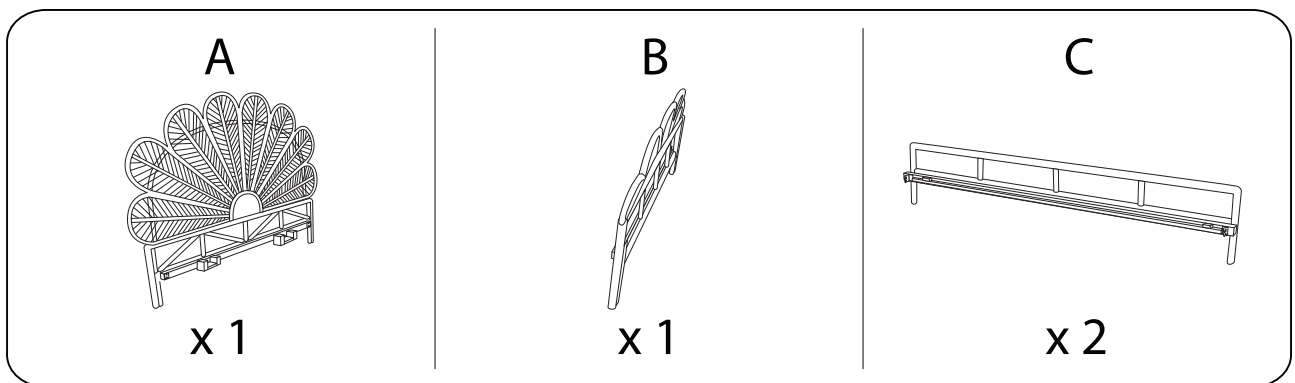
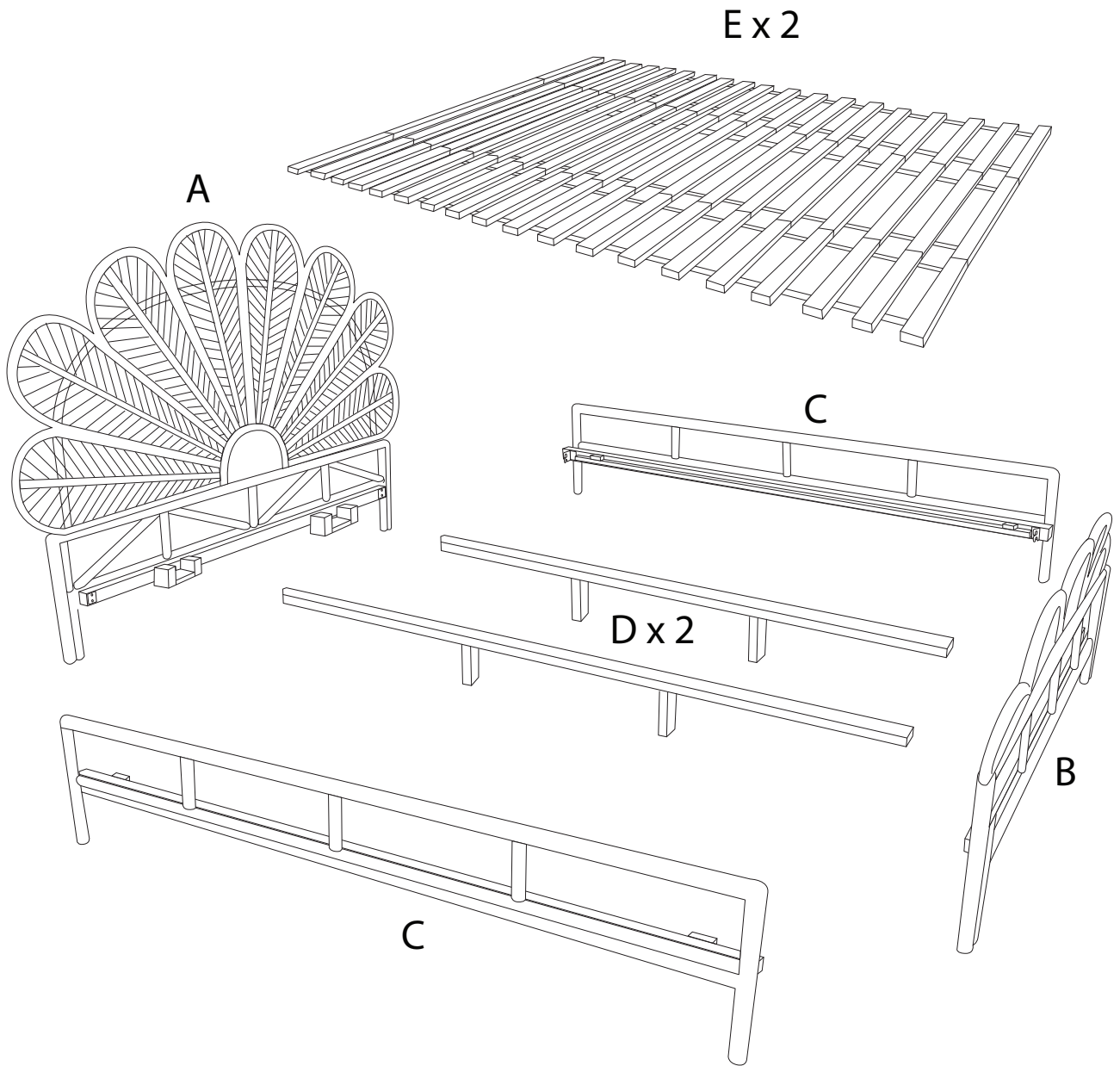


FLORENTINE

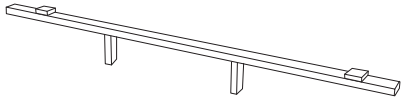




		
		60'
		
		2

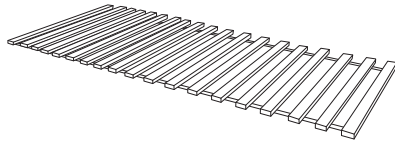


D



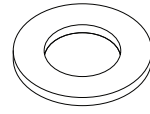
x 2

E



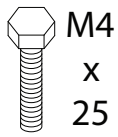
x 3

F



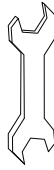
x 8

G



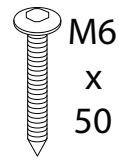
x 8

H



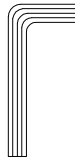
x 1

I



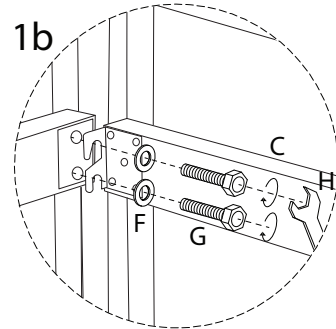
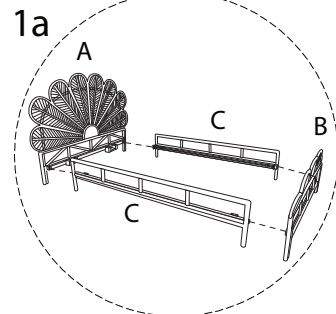
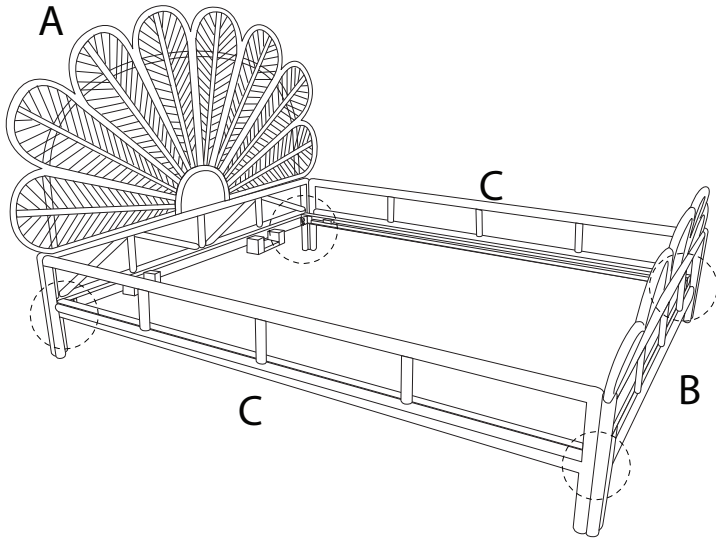
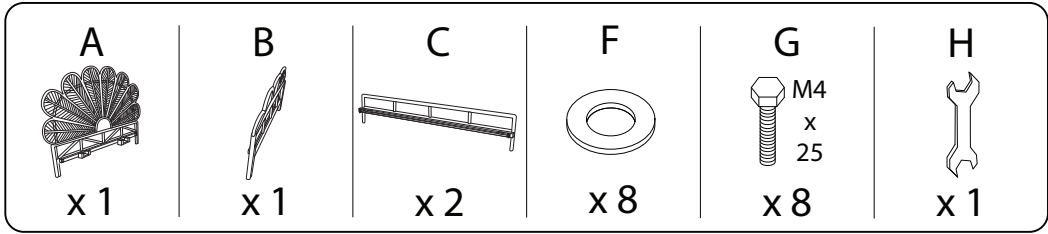
x 4

J

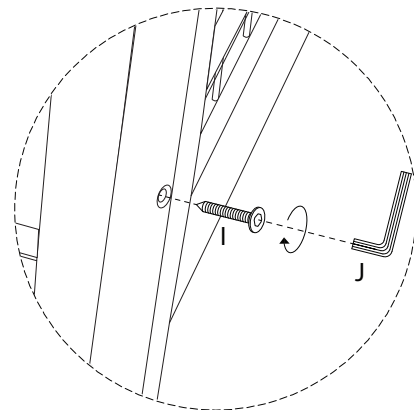
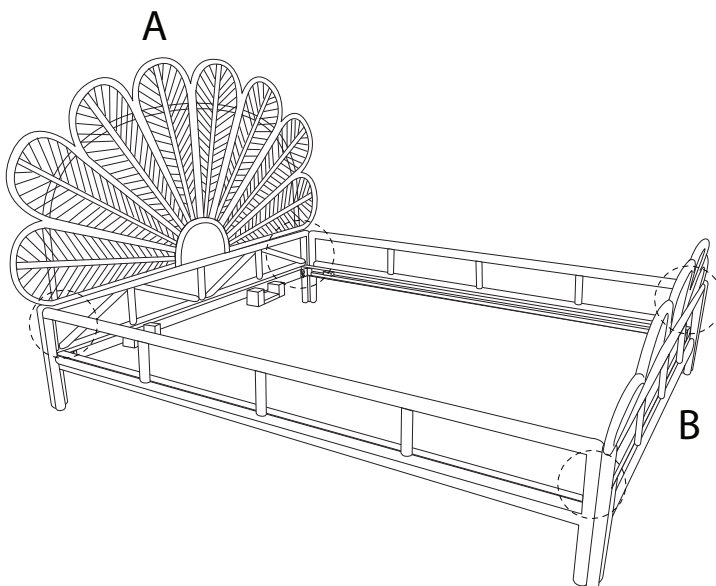
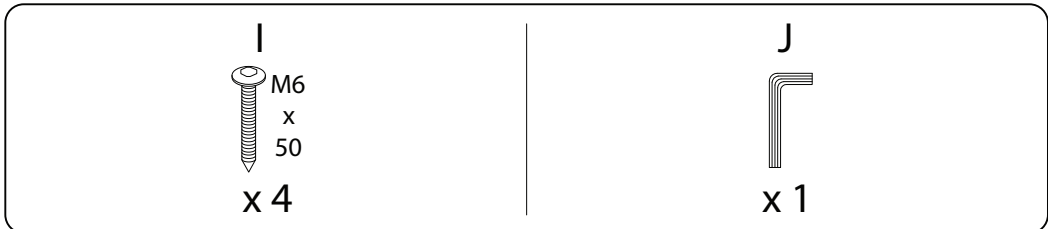


x 1

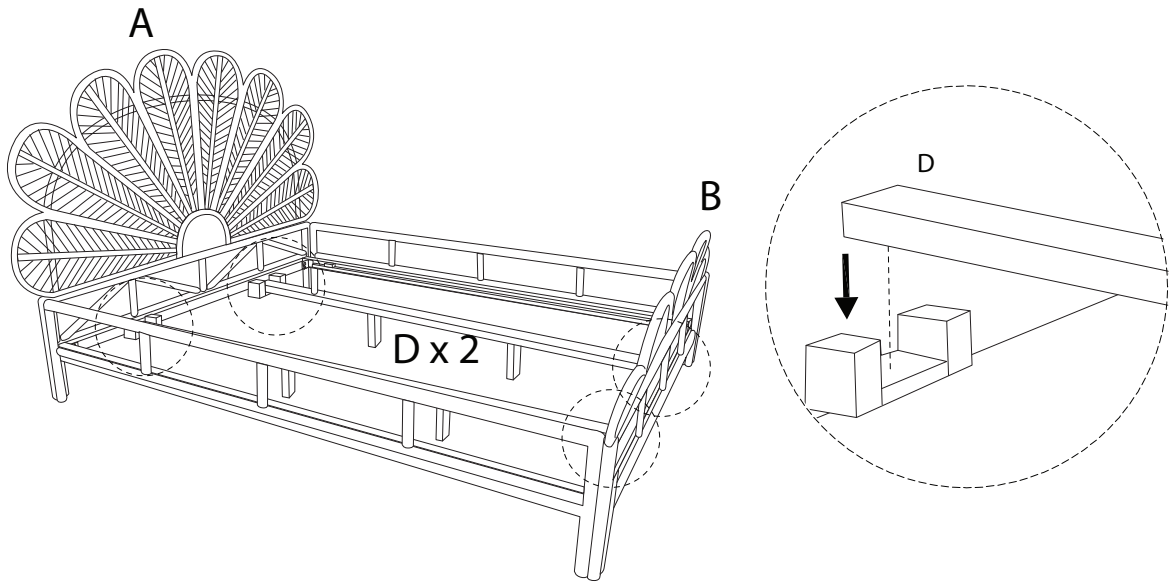
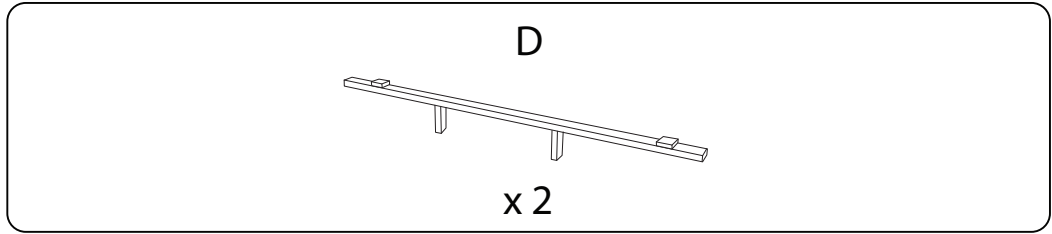
1



2



3



4

