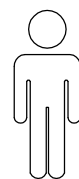
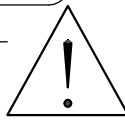
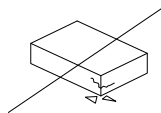
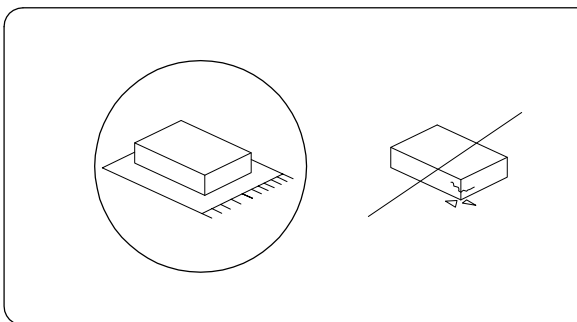
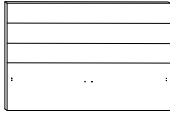
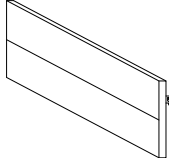
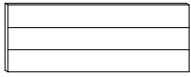




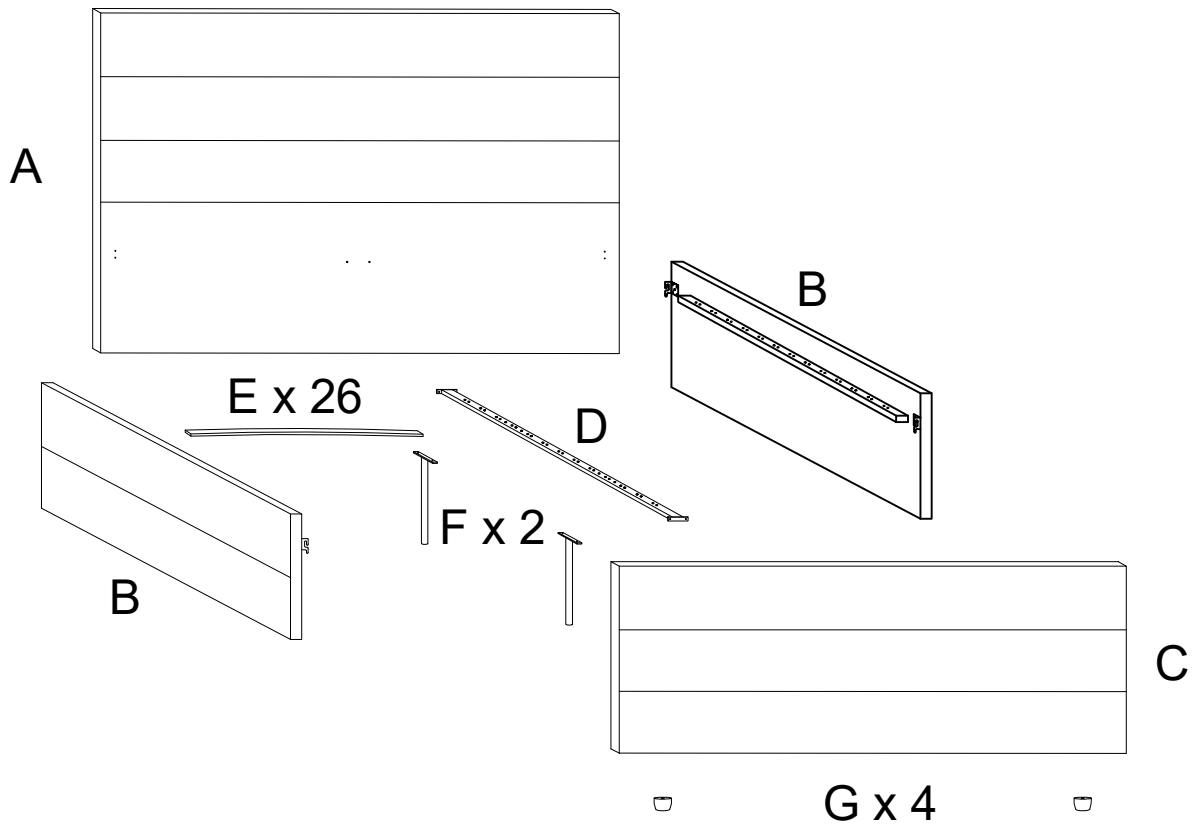
30'

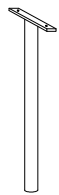


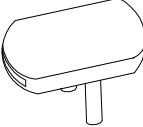
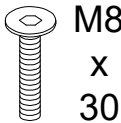
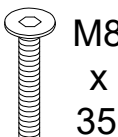
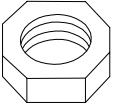

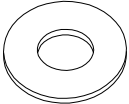
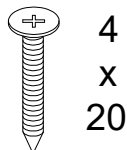
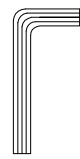
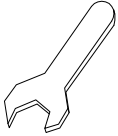


2

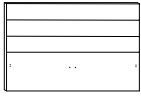
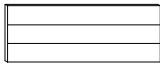

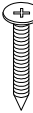
1/5

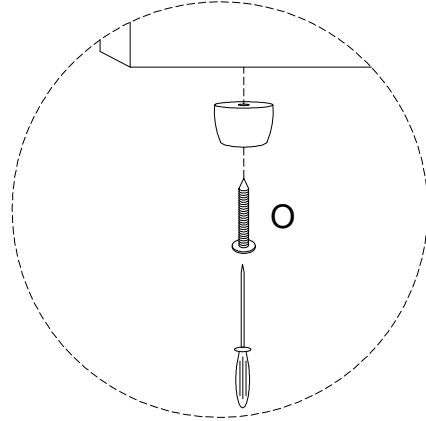
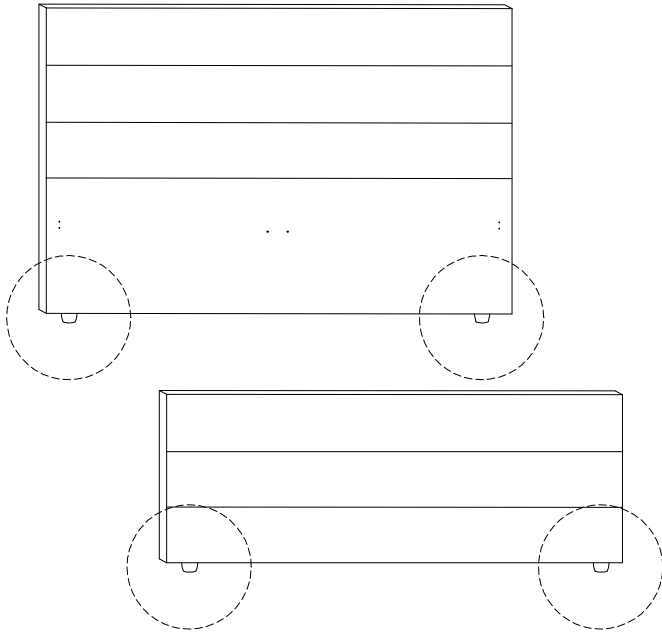
A	B	C	D	E
				
x 1	x 2	x 1	x 1	x 26






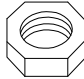
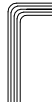
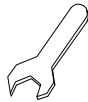
F	G	H	I	J	K
				 M8 x 30	 M8 x 35
x 2	x 4	x 26	x 13	x 12	x 4
L	M	N	O	P	Q
			 4 x 20		
x 4	x 8	x 8	x 4	x 1	x 1

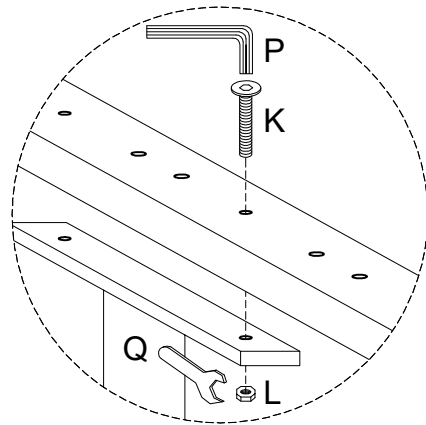
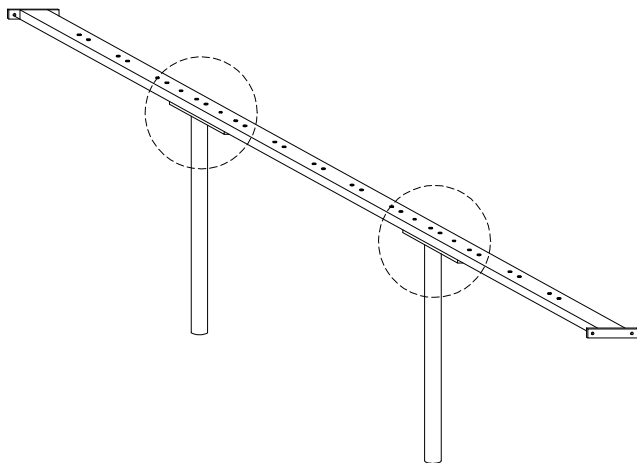
1

A  x 1	C  x 1	G  x 4	O  4 x 20 x 4
------------------------------------------------------------------------------------------------------	------------------------------------------------------------------------------------------------------	-------------------------------------------------------------------------------------------------------	------------------------------------------------------------------------------------------------------------------------

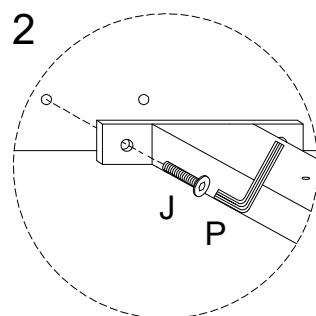
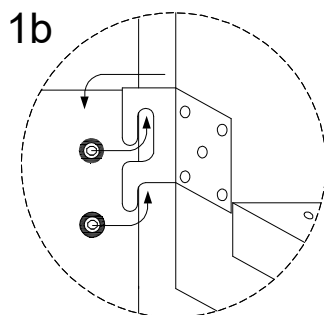
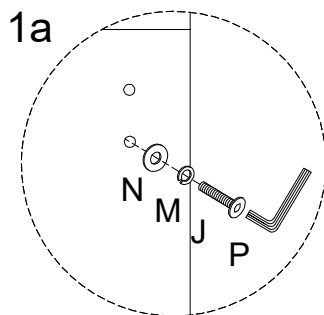
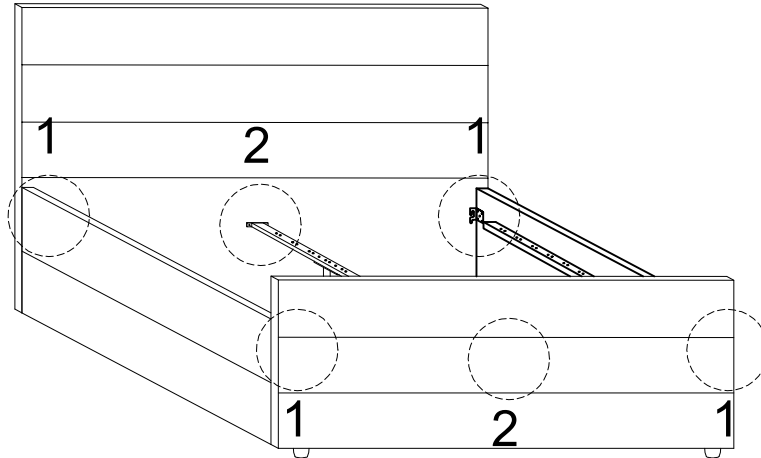
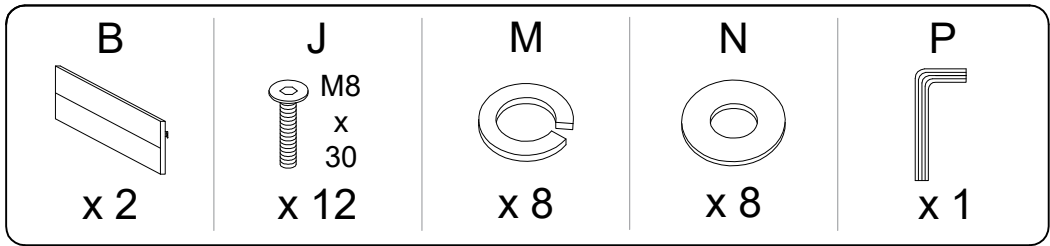


2

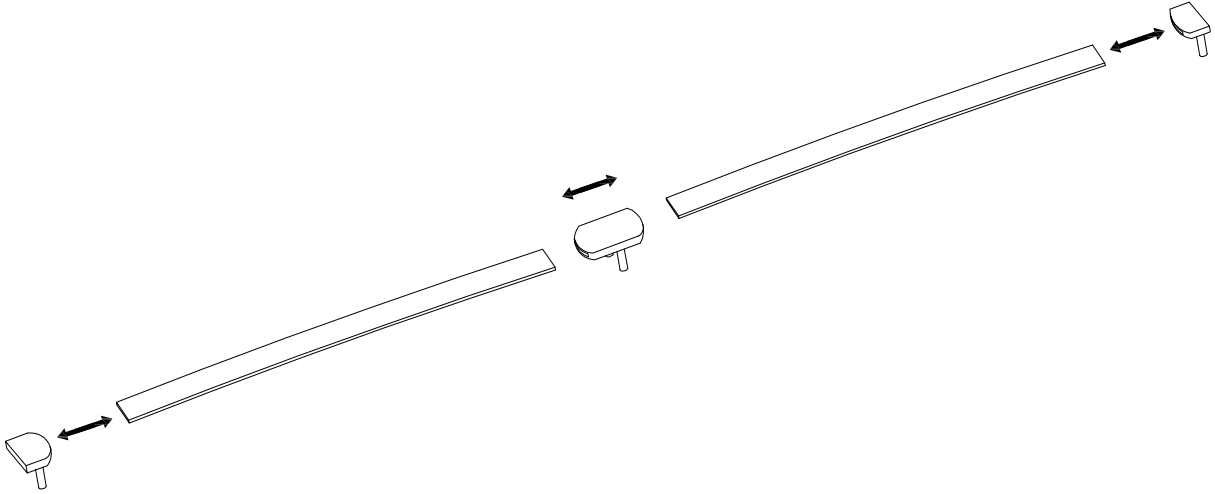
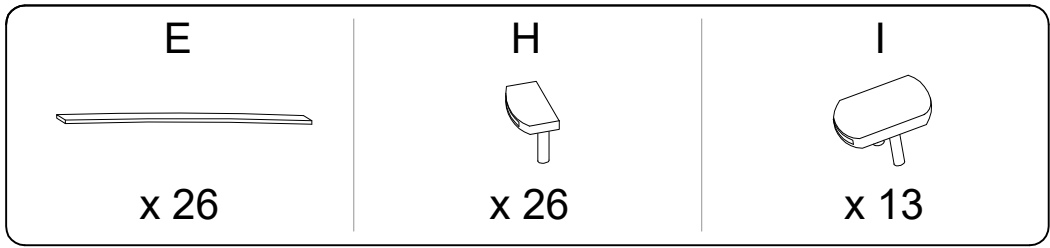
D  x 1	F  x 2	K  M8 x 35 x 4	L  x 4	P  x 1	Q  x 1
--------------------------------------------------------------------------------------------------------	--------------------------------------------------------------------------------------------------------	-------------------------------------------------------------------------------------------------------------------------	---------------------------------------------------------------------------------------------------------	----------------------------------------------------------------------------------------------------------	----------------------------------------------------------------------------------------------------------



3



4



5

