


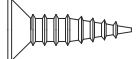
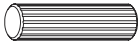


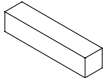

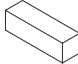


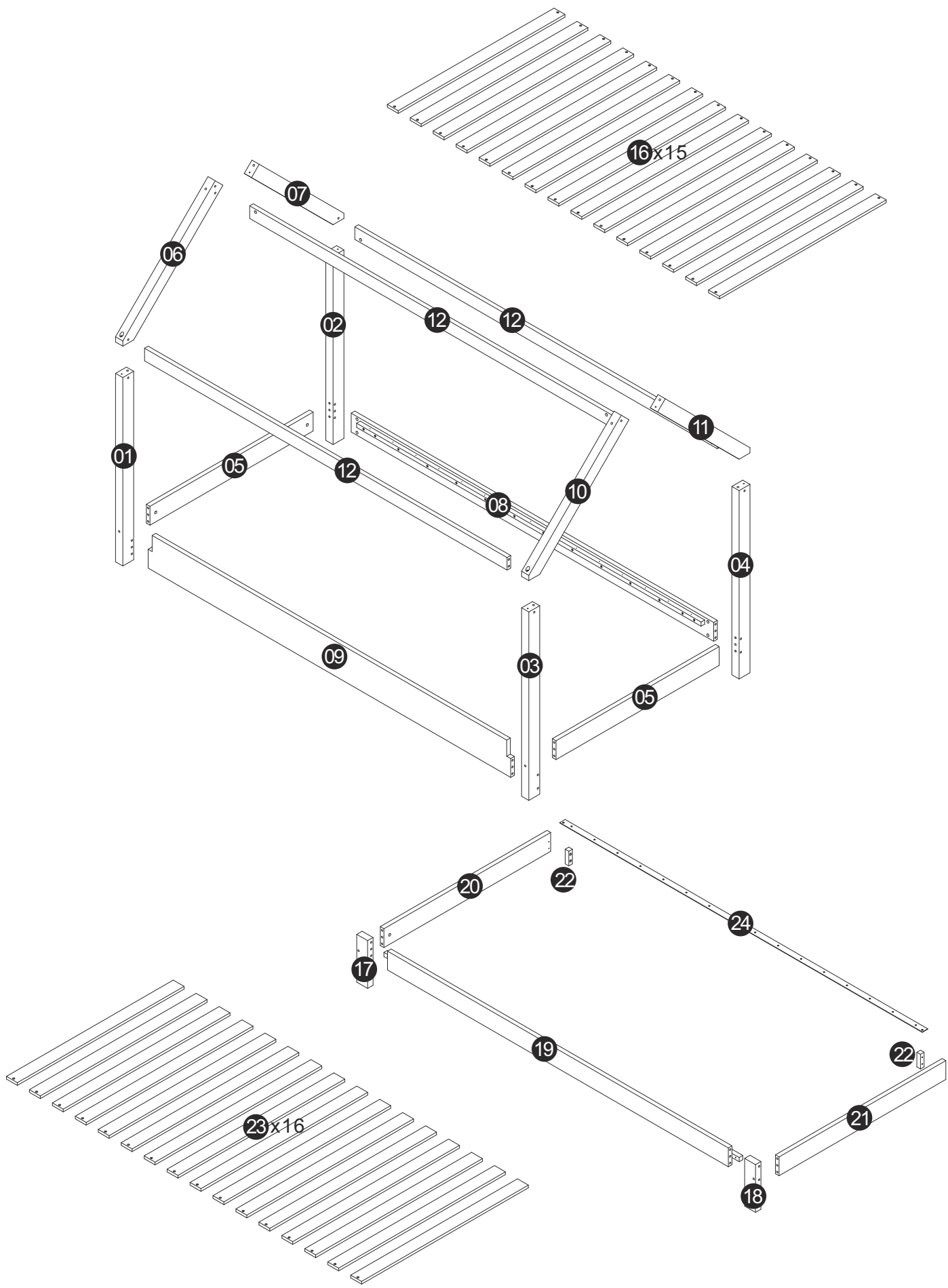
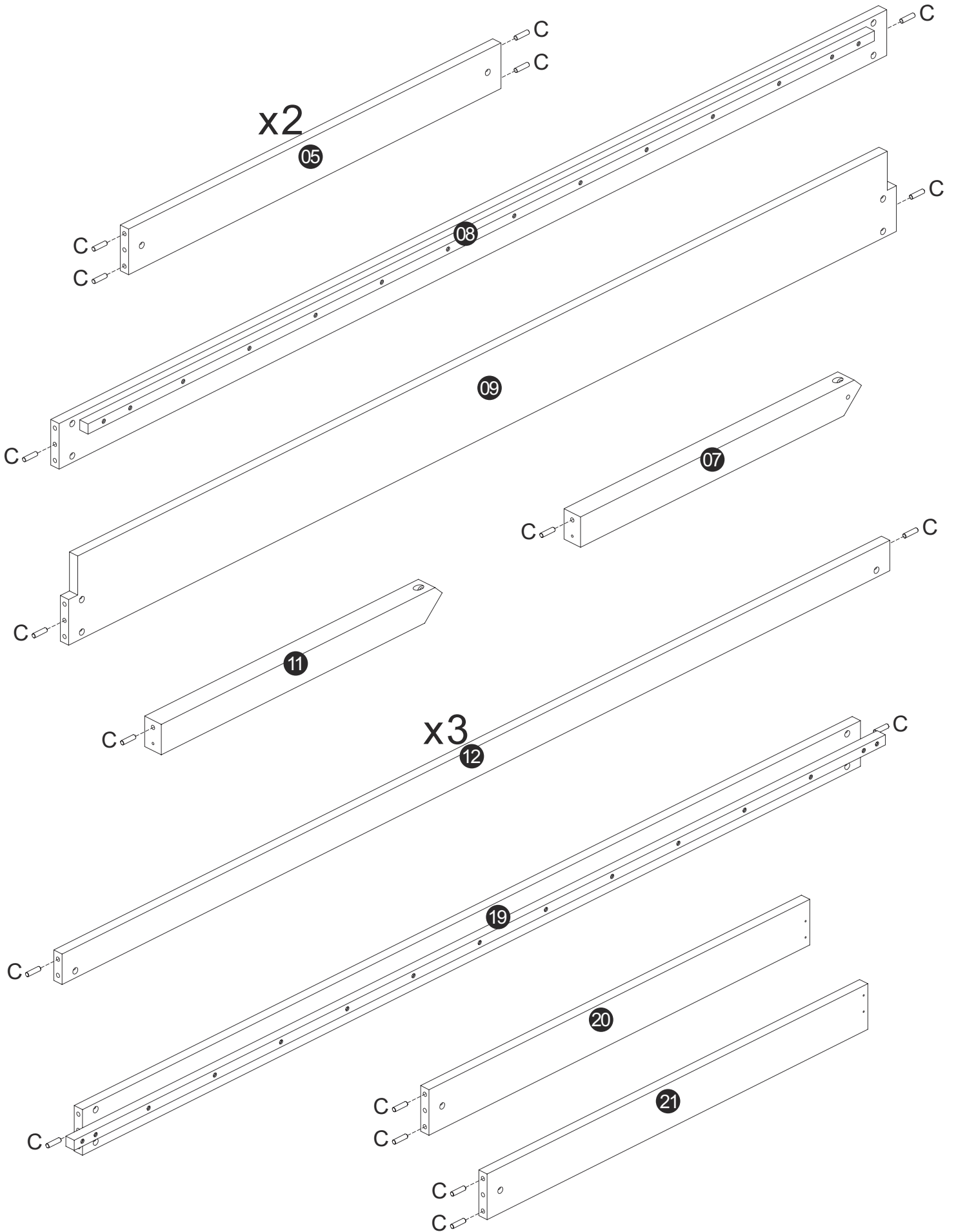




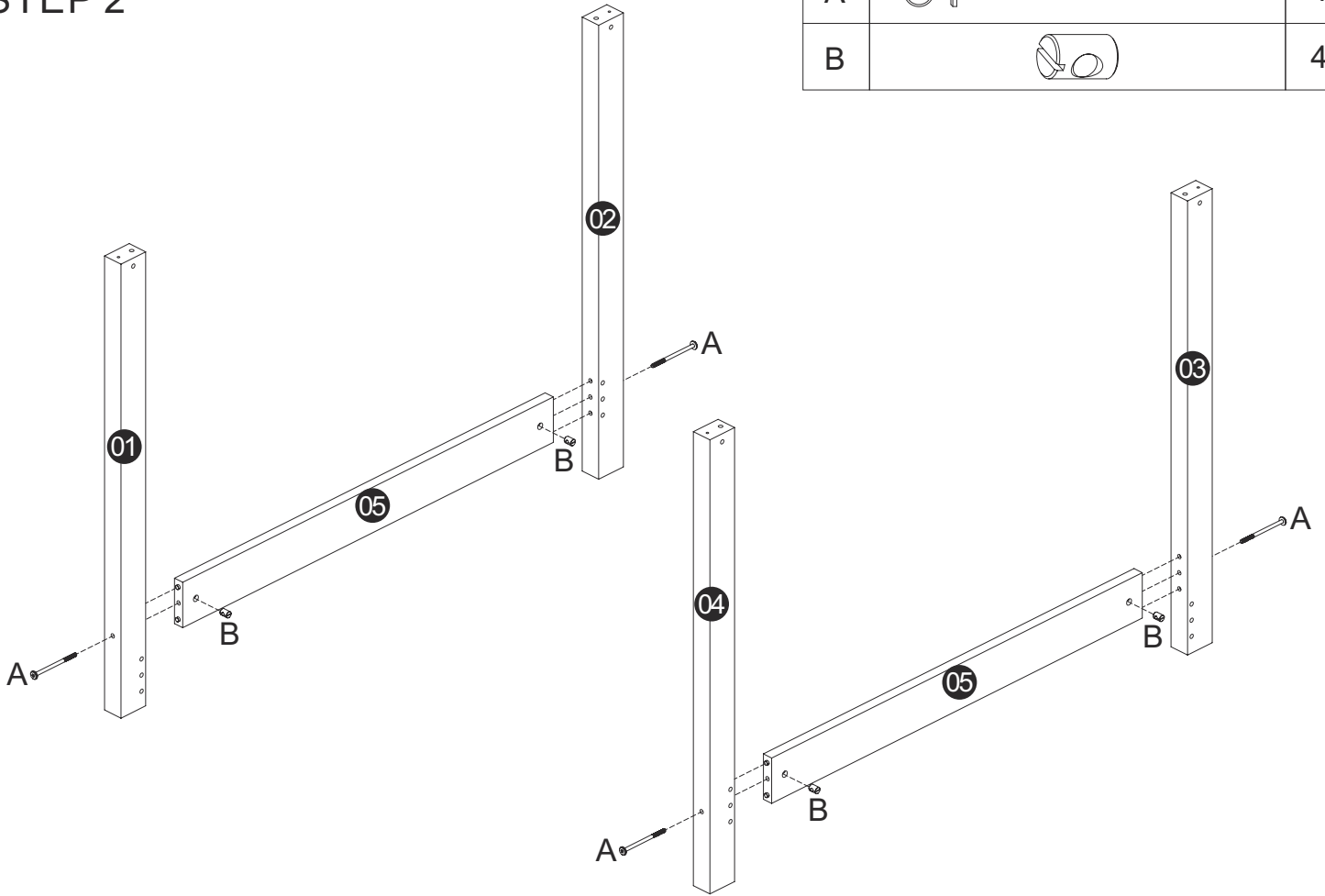
A	 M6x90	4	G	 $\Phi 4 \times 30$	54
B		24	H	 $\Phi 3.5 \times 14$	16
C	 $\Phi 8 \times 30$	30	J		1
D	 $\Phi 6 \times 90$	2	K	 89.8mm	1
E	 $\Phi 6 \times 70$	4	L	 66.6mm	1
F	 M6x80	16	M	 M6x100	4



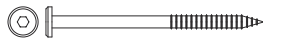


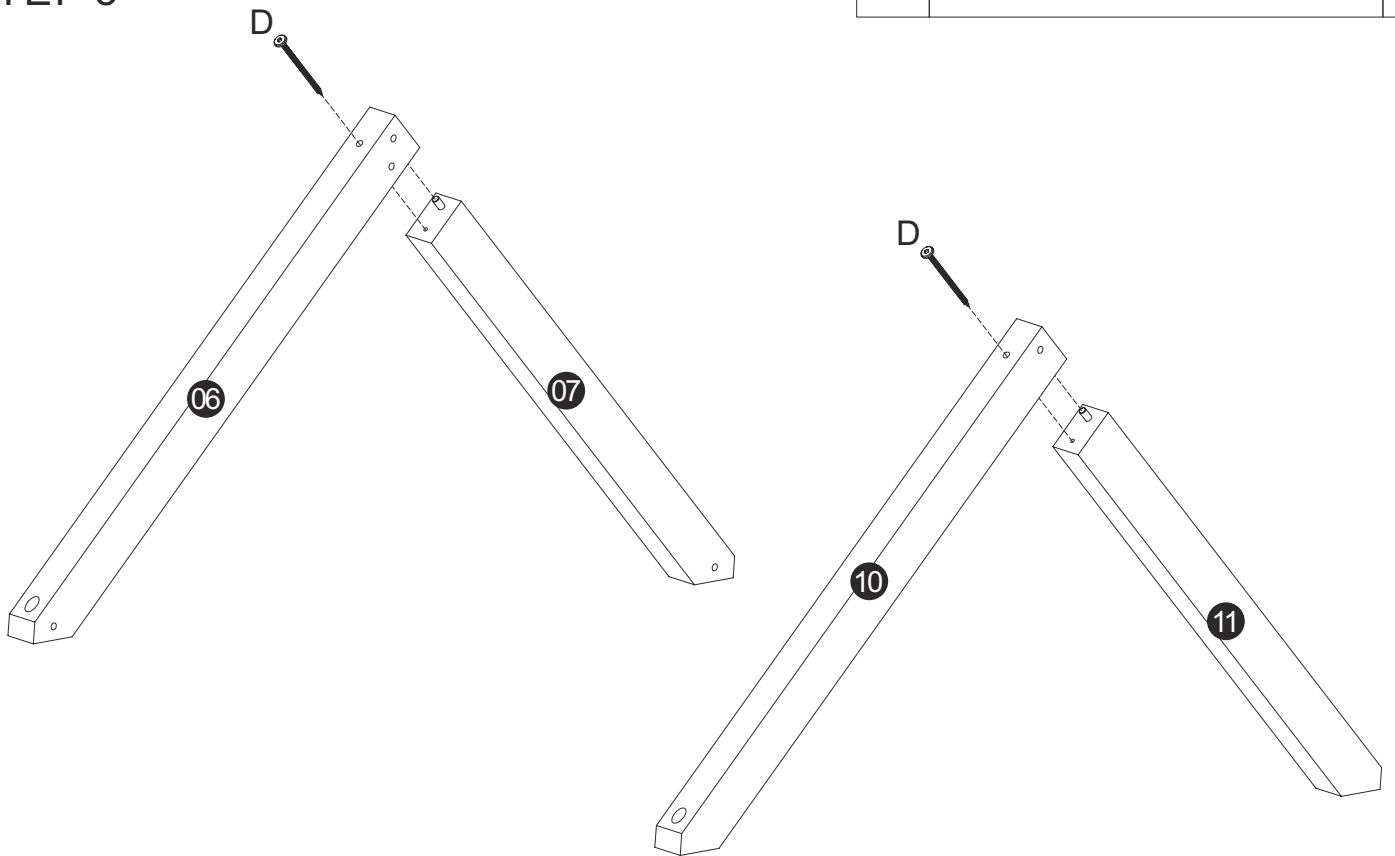
STEP 2

A	 M6x90	4
B		4

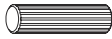



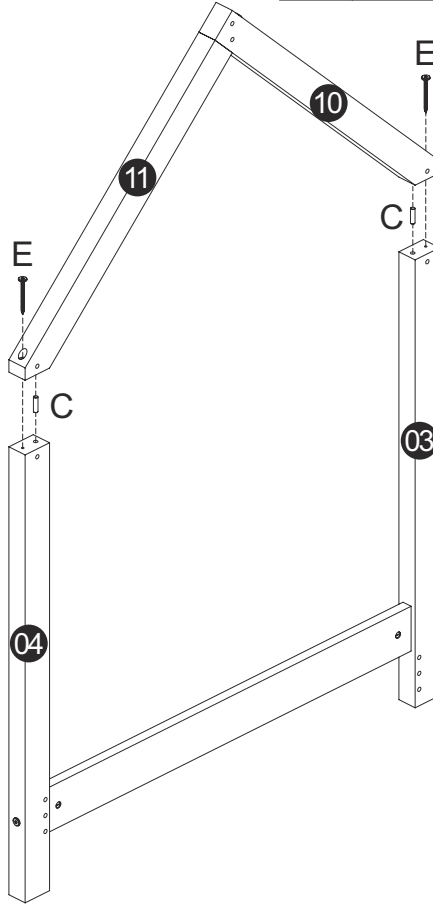
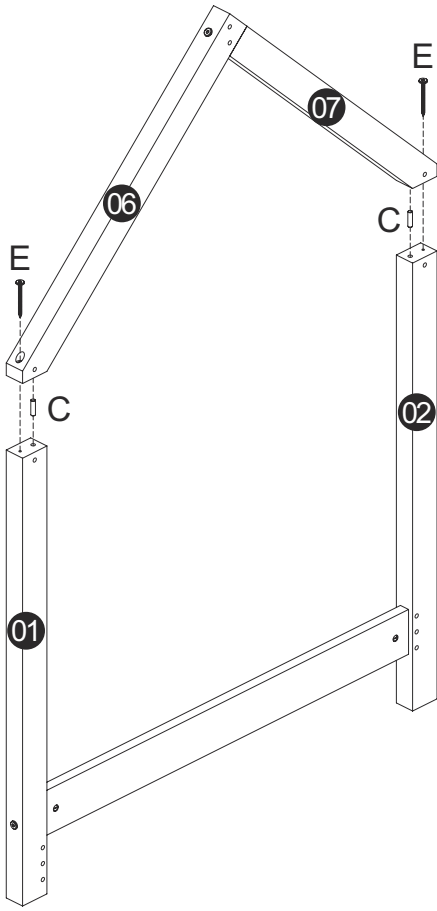
STEP 3

D	 Φ6x90	2
---	---	---





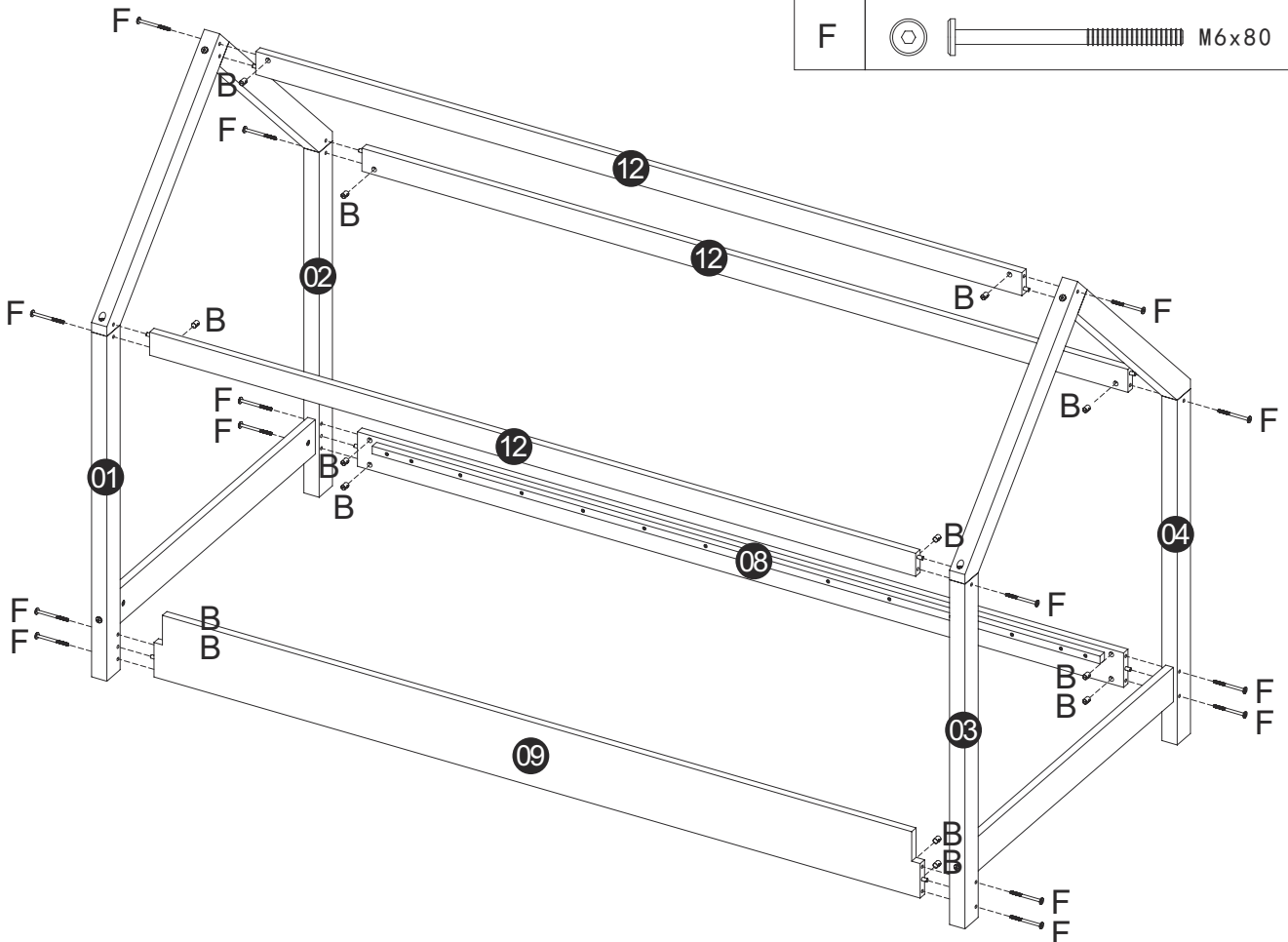
STEP 4

C	 $\Phi 8 \times 30$	4
E	 $\Phi 6 \times 70$	4


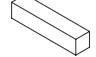
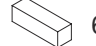


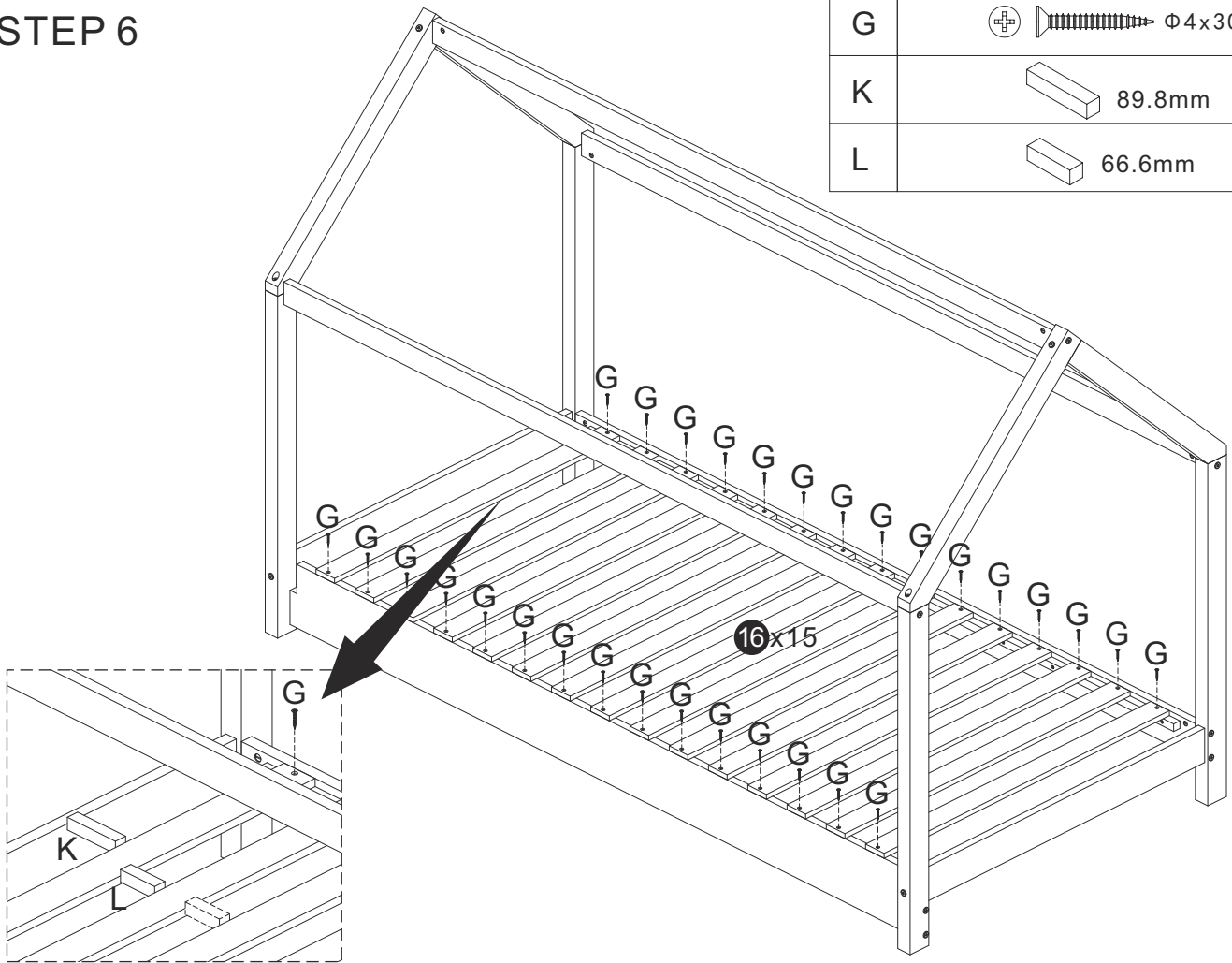
STEP 5

B		14
F	 M6x80	14






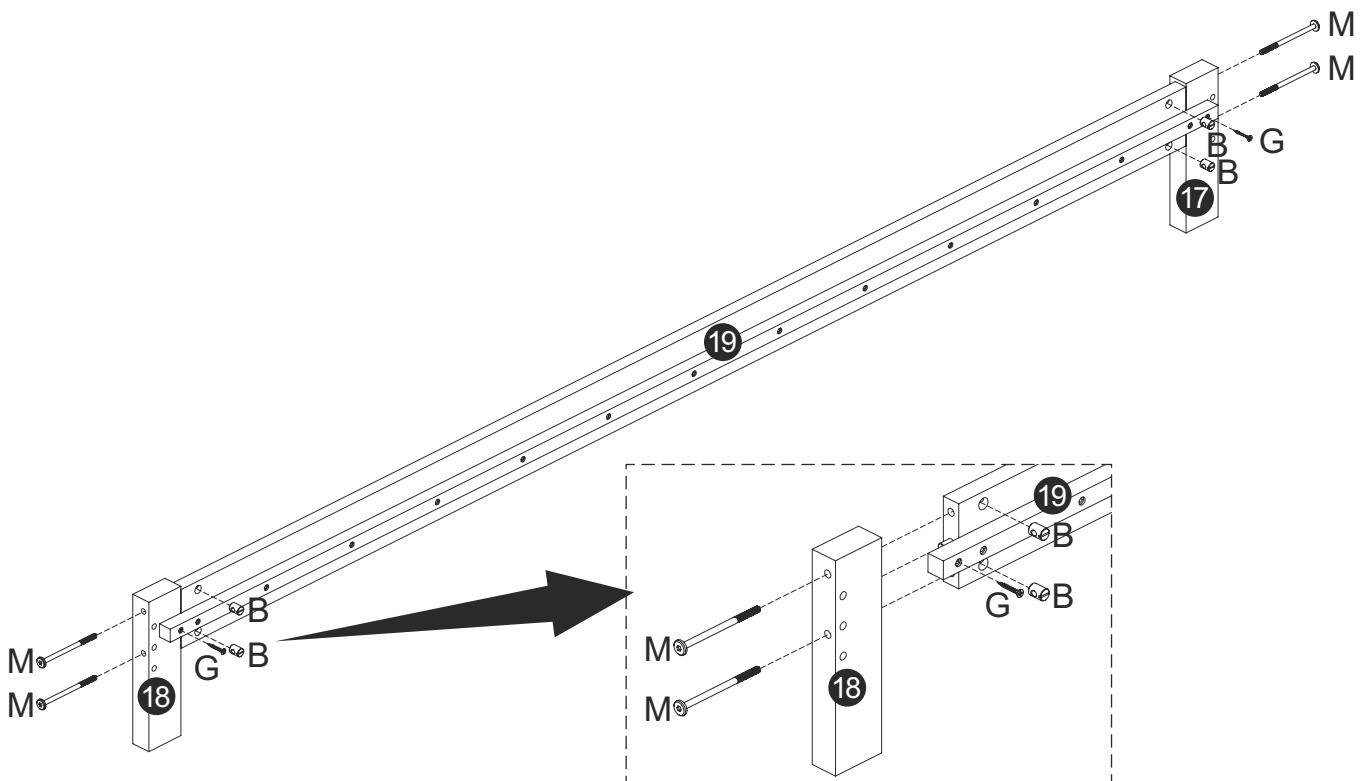
STEP 6

G	 $\Phi 4 \times 30$	30
K	 89.8mm	1
L	 66.6mm	1



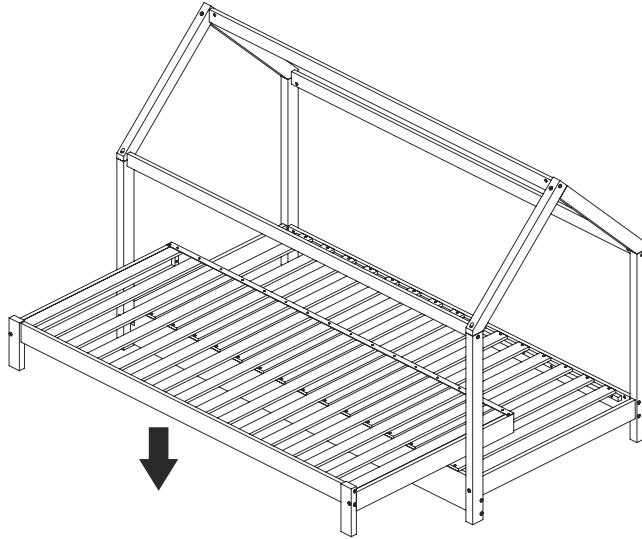
STEP 7

B		4
G	 $\Phi 4 \times 30$	2
M	 M6x100	4

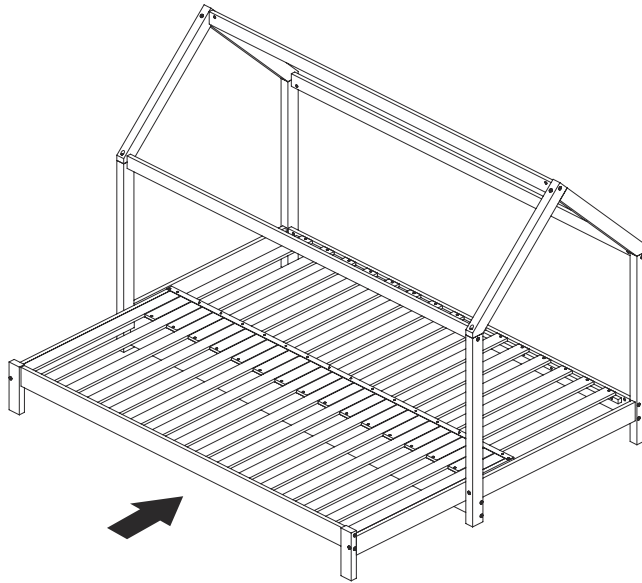


STEP 10

①



②



③

