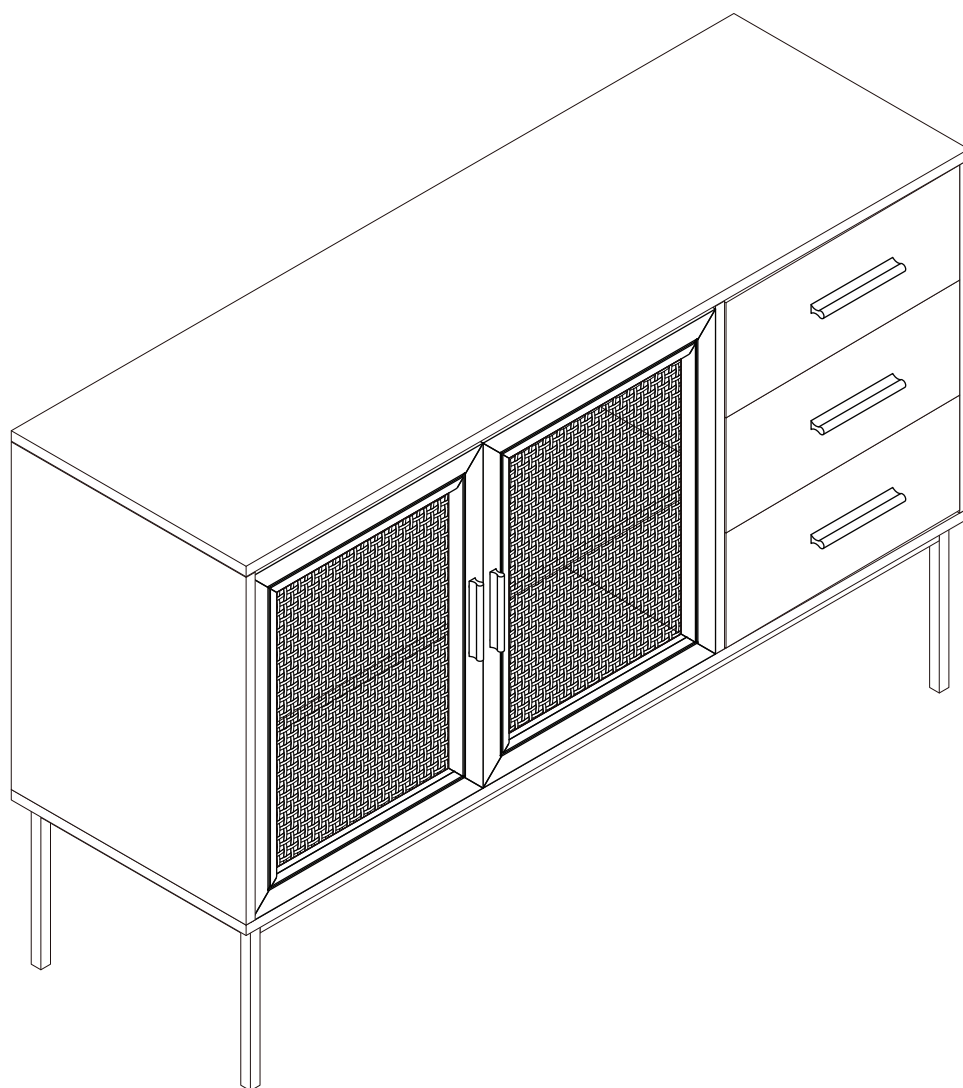
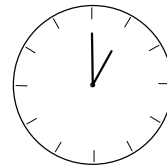
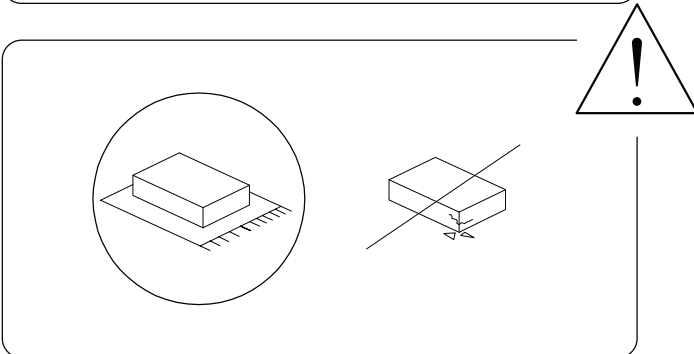
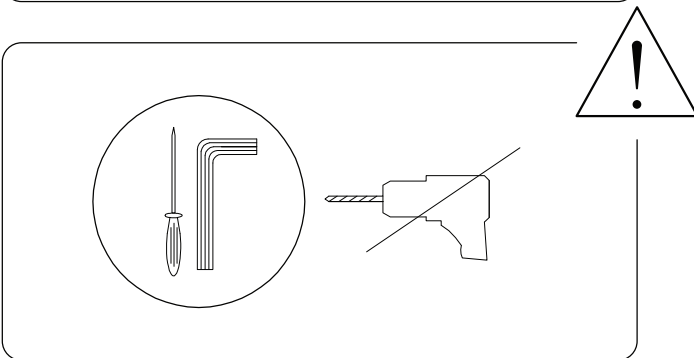
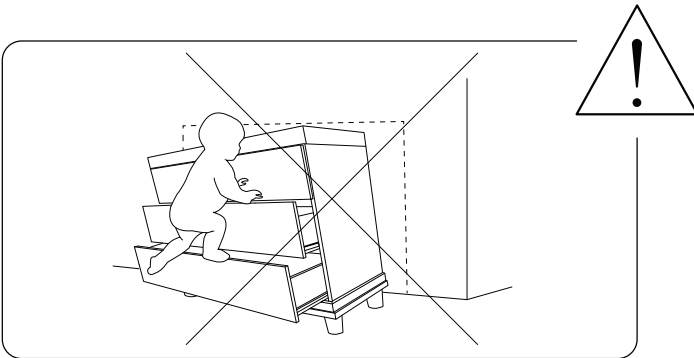
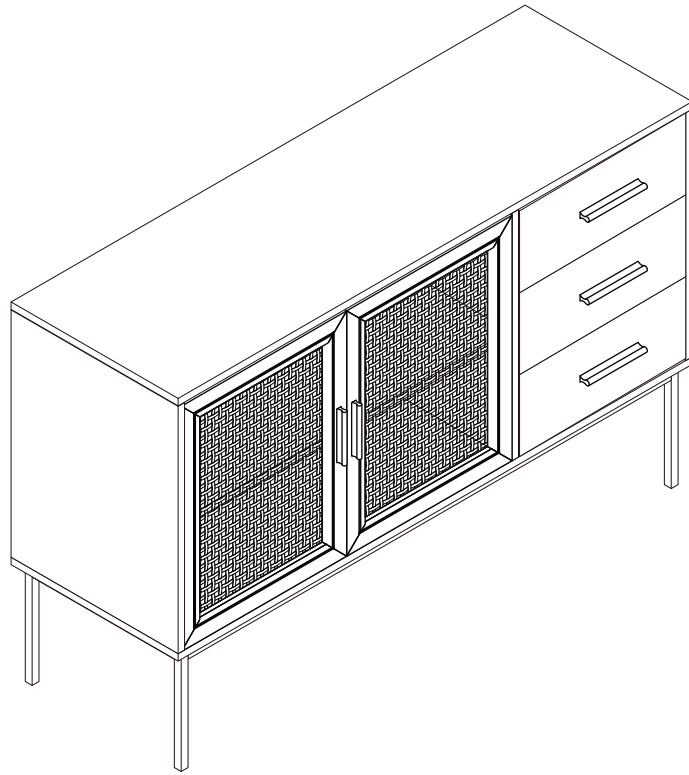
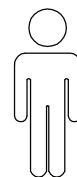


PASCO

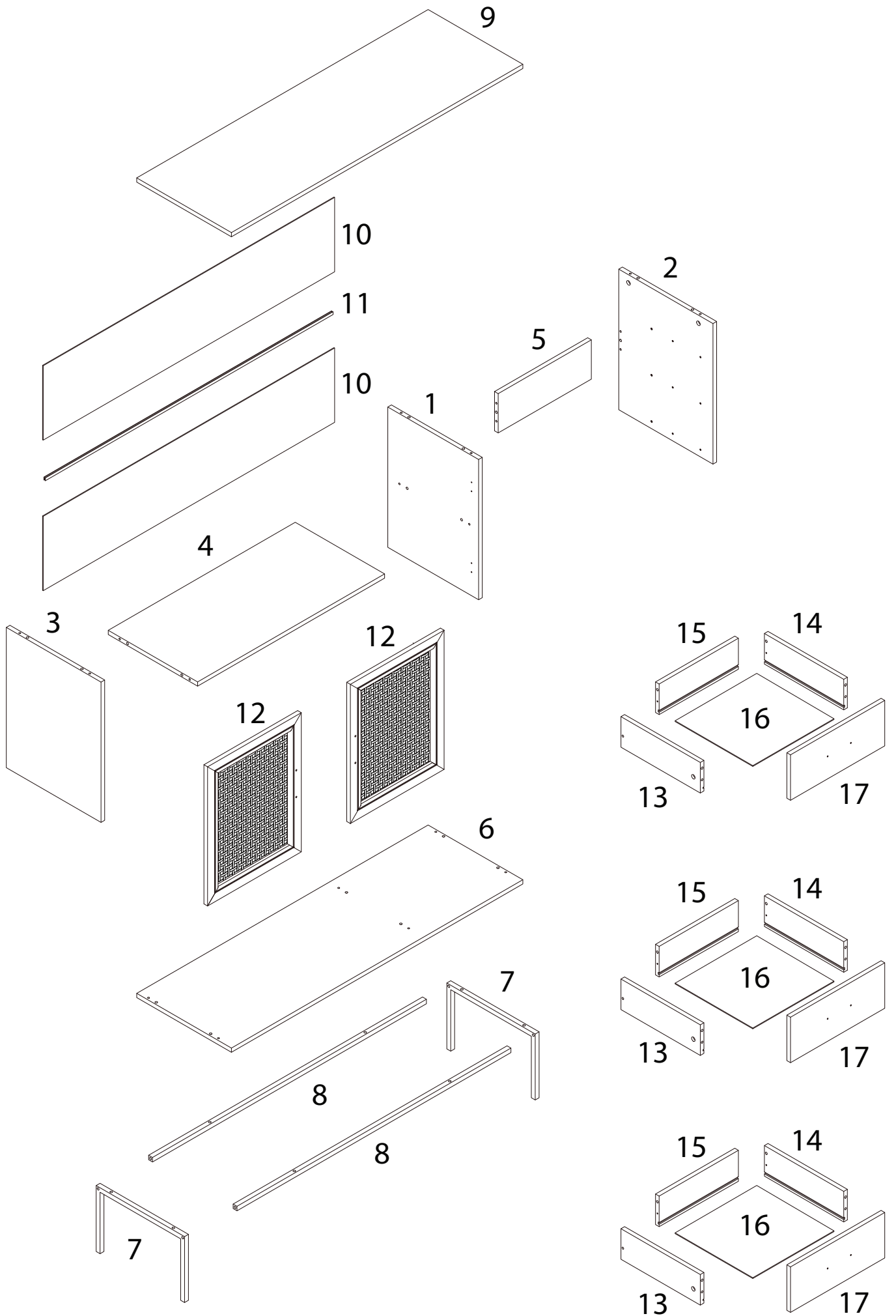




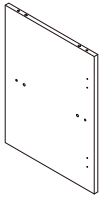
60'



2

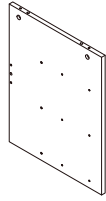


1



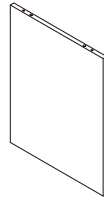
x 1

2



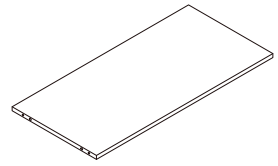
x 1

3



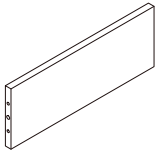
x 1

4



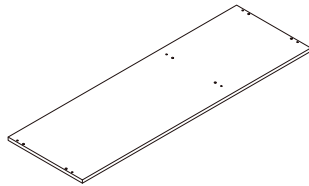
x 1

5



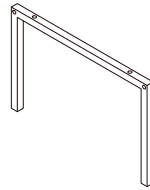
x 1

6



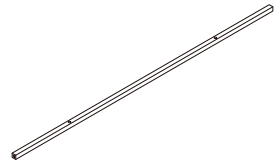
x 1

7



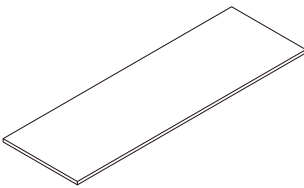
x 2

8



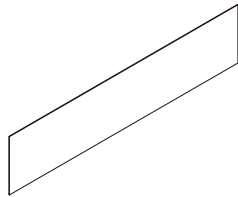
x 2

9



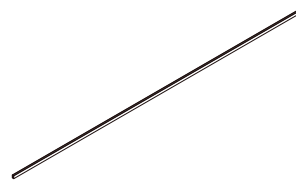
x 1

10



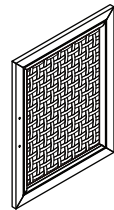
x 2

11



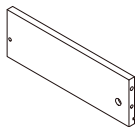
x 1

12



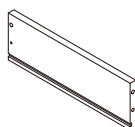
x 2

13



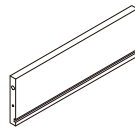
x 3

14



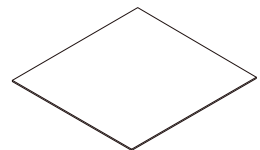
x 3

15



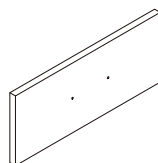
x 3

16

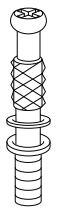


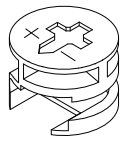
x 3

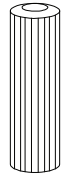
17

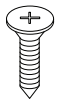


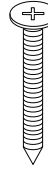
x 3

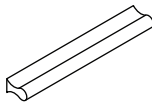
A

x 20

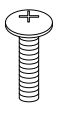
B

x 20

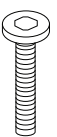
C

x 30

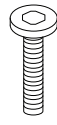
D

M3.5
x 14
x 52

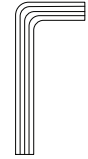
E

M5
x 40
x 12

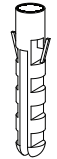
F1

x 5

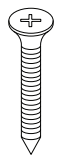
F2

M4
x 19
x 10

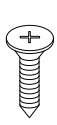
G

M6
x 30
x 4


H

M6
x 25
x 8

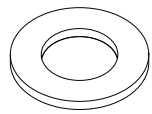
I

x 1

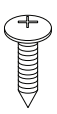
J1

x 2

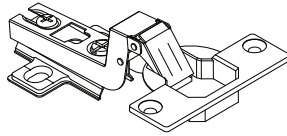
J2

M4
x 30
x 2

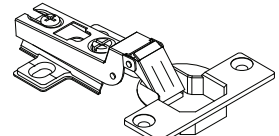
J3

M3.5
x 14
x 2

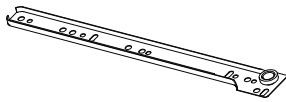
J4

x 2

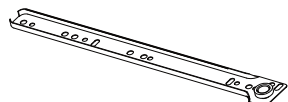
J5

x 4

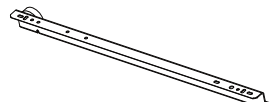
K

M3
x 16
x 20

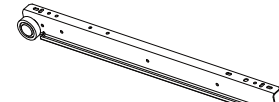
L

x 2

M

x 2

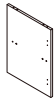




CL

x 3

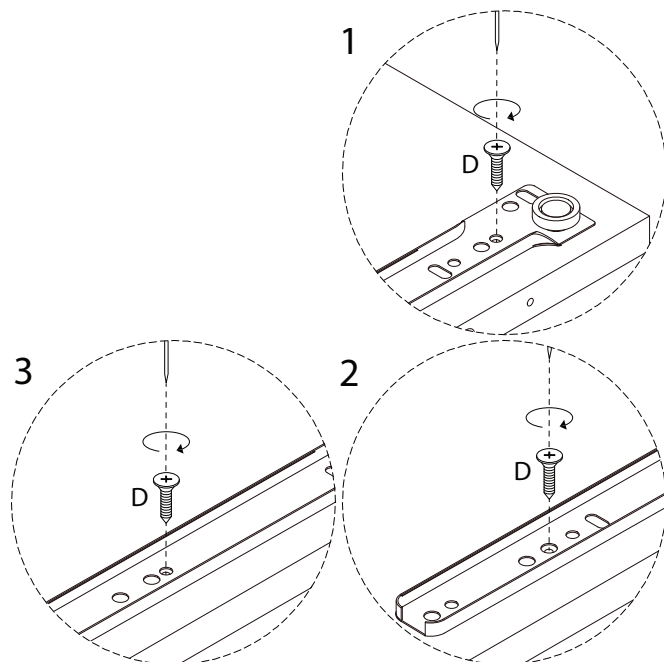
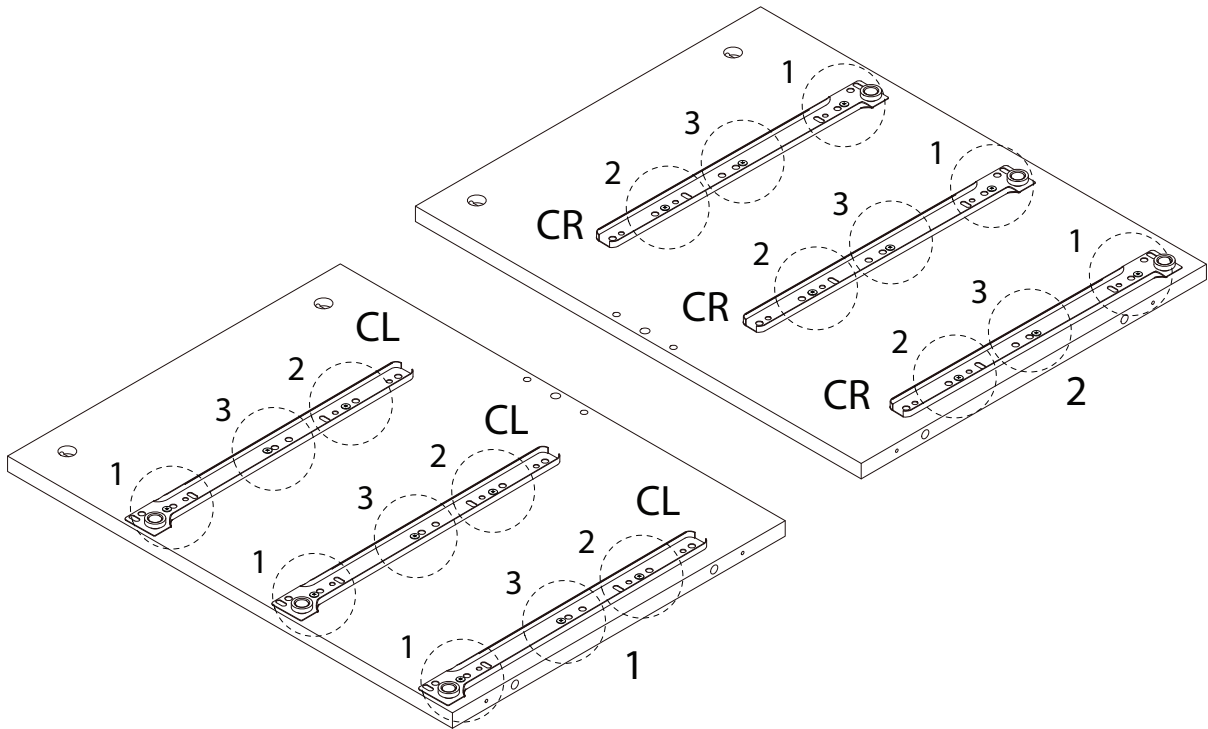
CR

x 3

DL

x 3

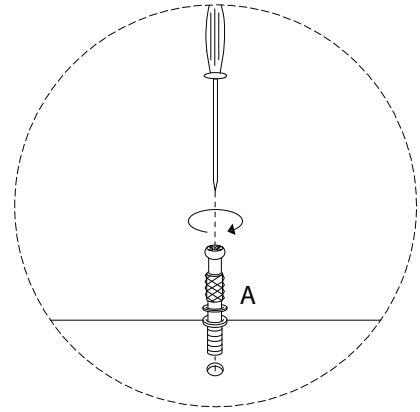
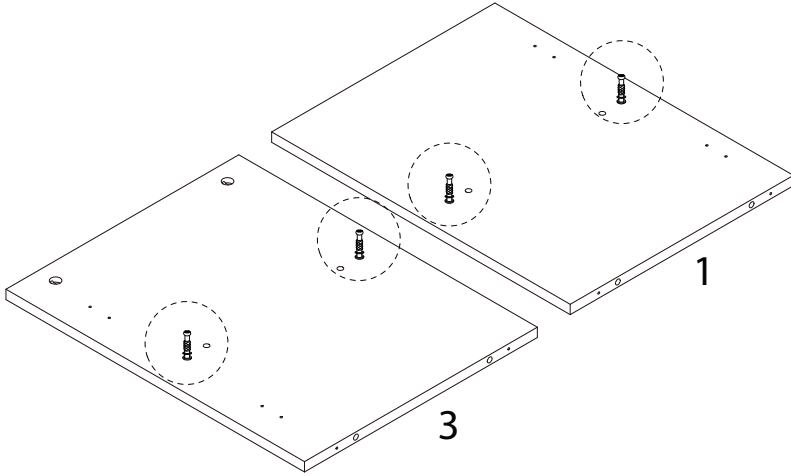
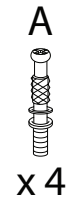
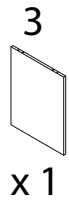
DR

x 3

1

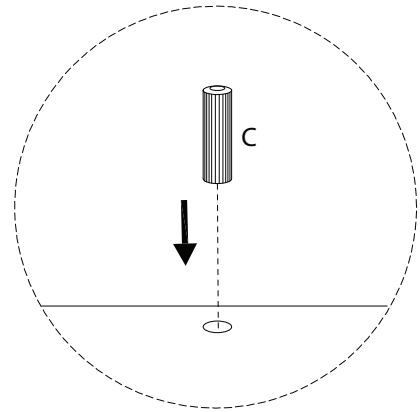
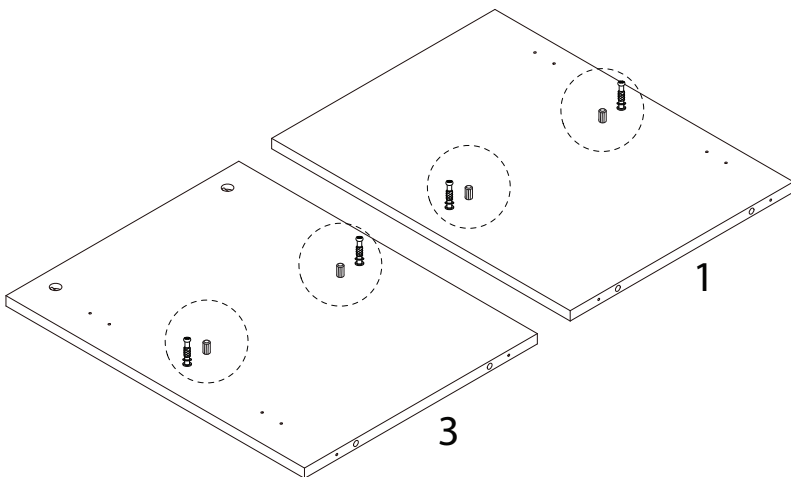
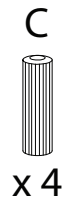
<p>1</p>  <p>x 1</p>	<p>2</p>  <p>x 1</p>	<p>D</p>  <p>M3.5 x 14</p> <p>x 18</p>	<p>CL</p>  <p>x 3</p>	<p>CR</p>  <p>x 3</p>
---	---	---	--	--



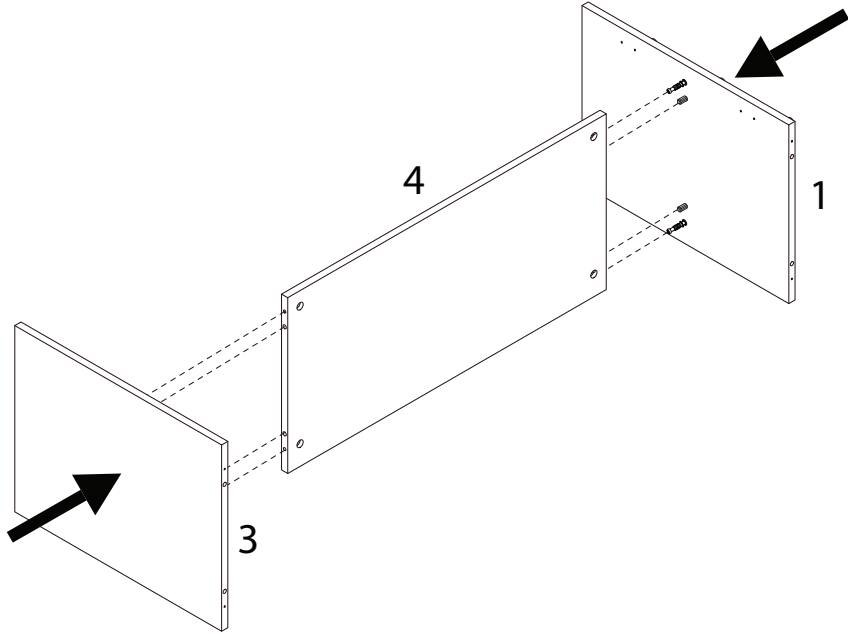
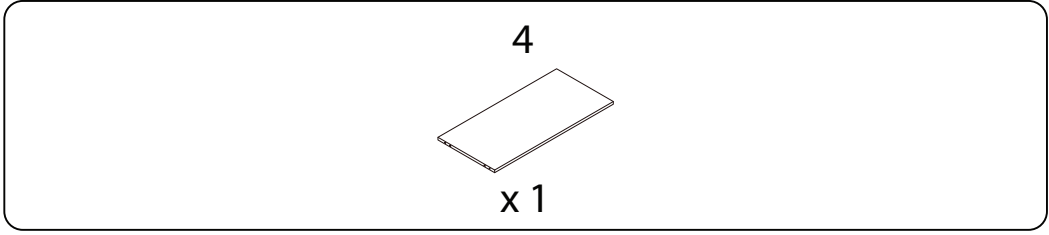
2



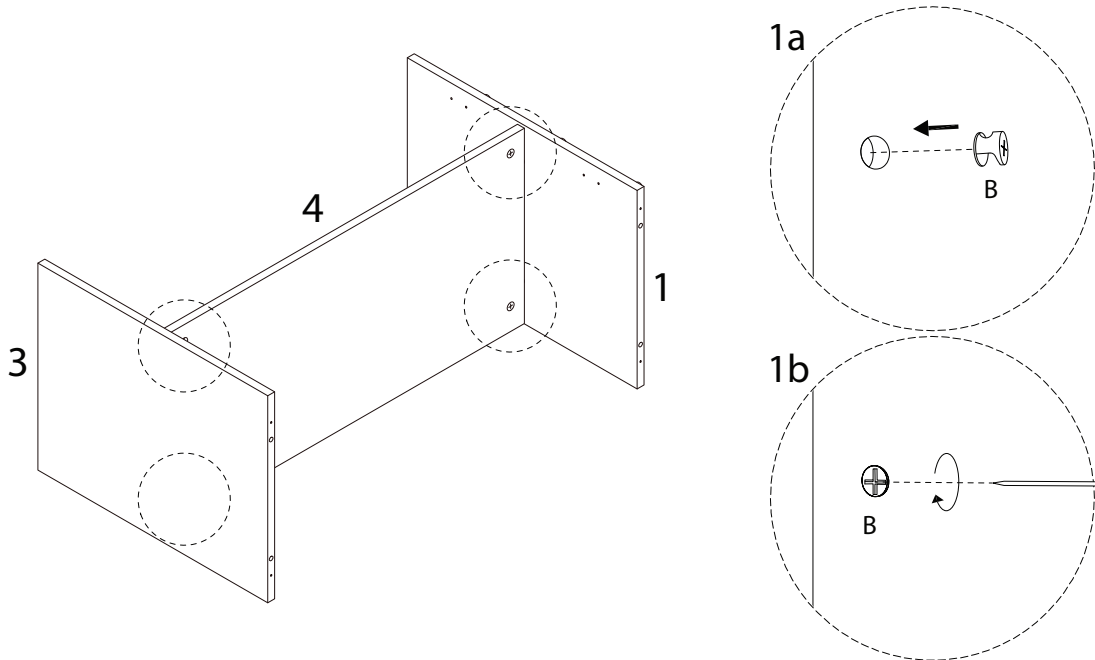
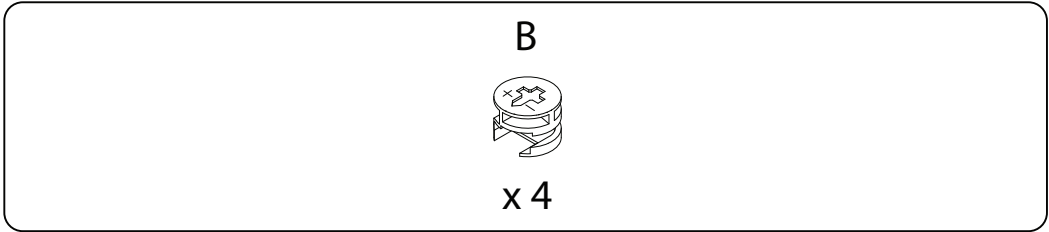
3



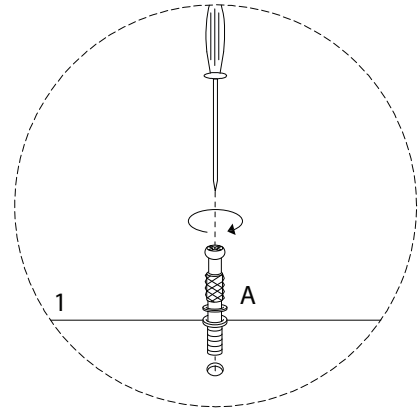
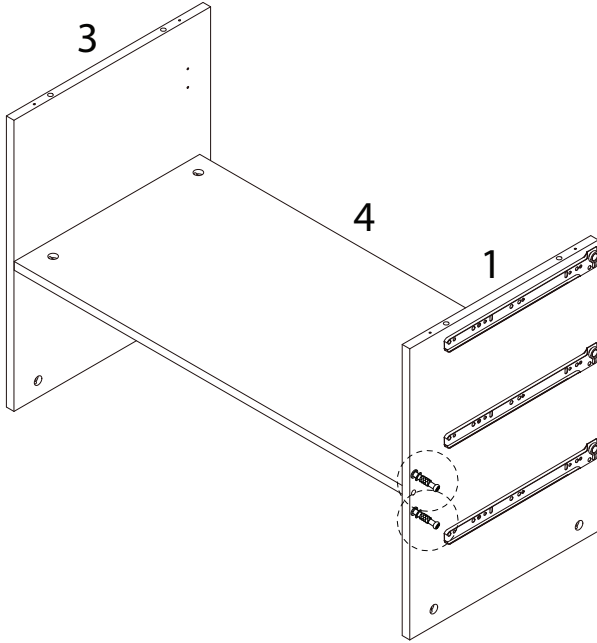
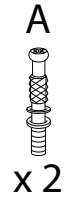
4



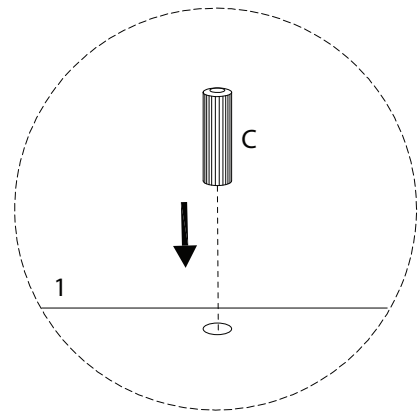
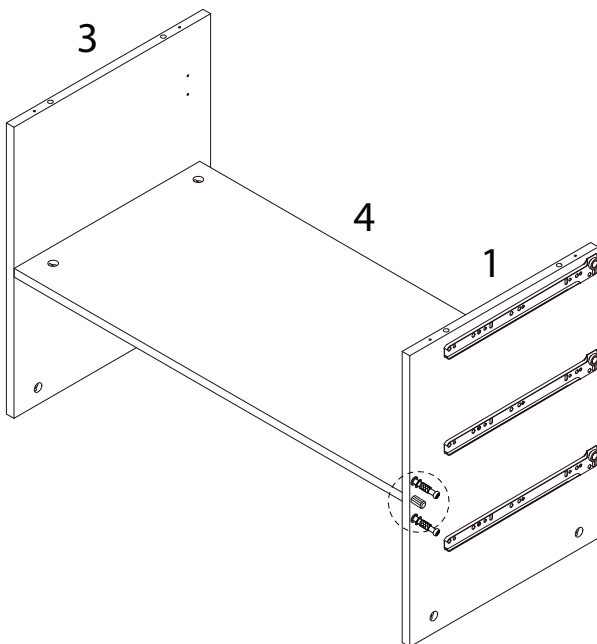
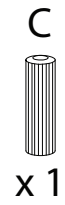
5



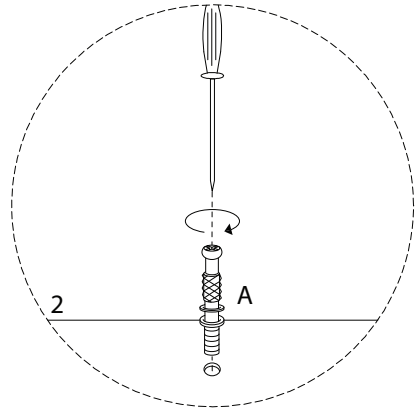
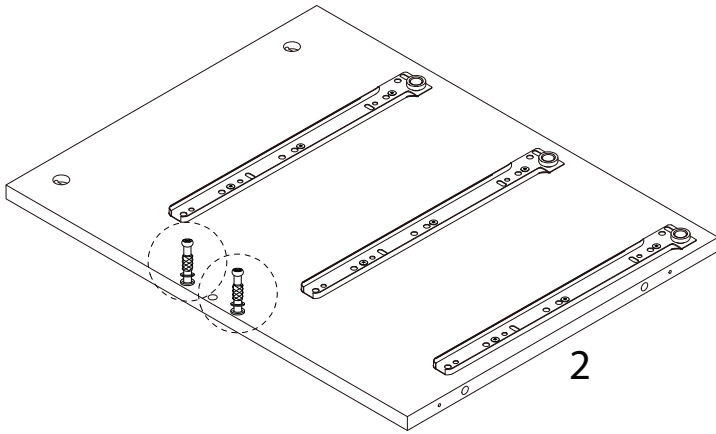
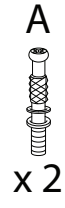
6



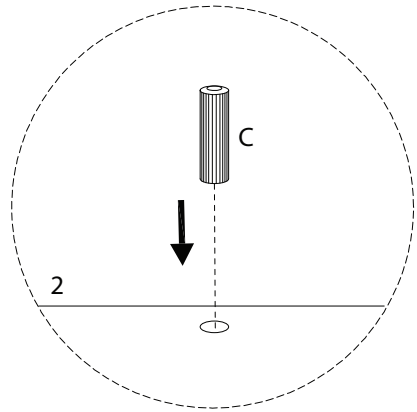
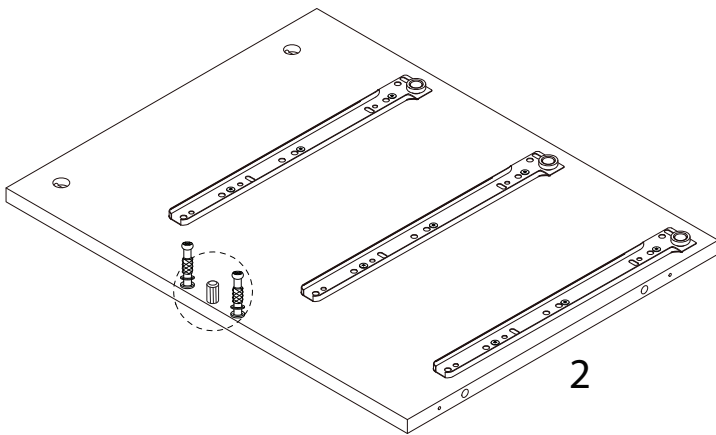
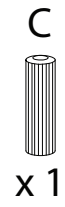
7



8

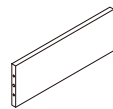


9

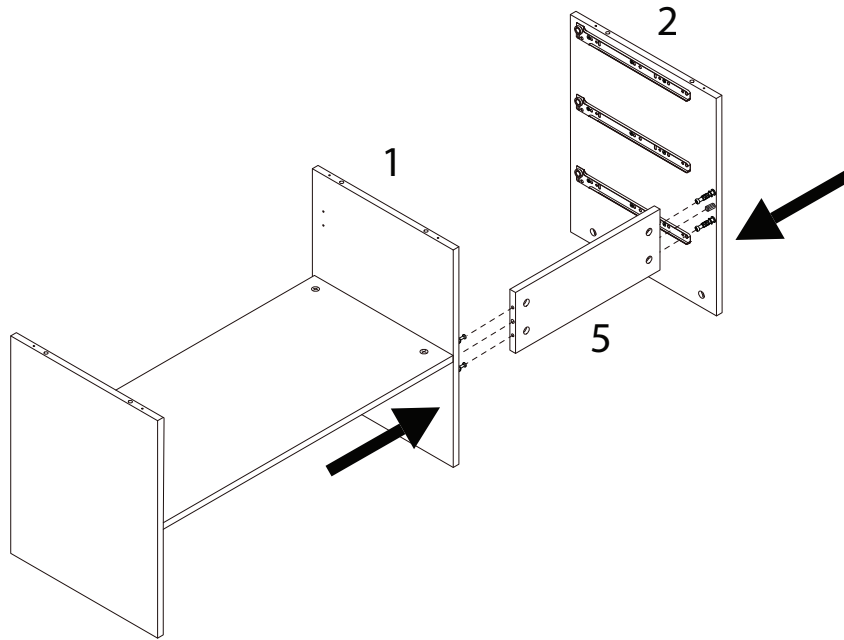


10

5



x 1

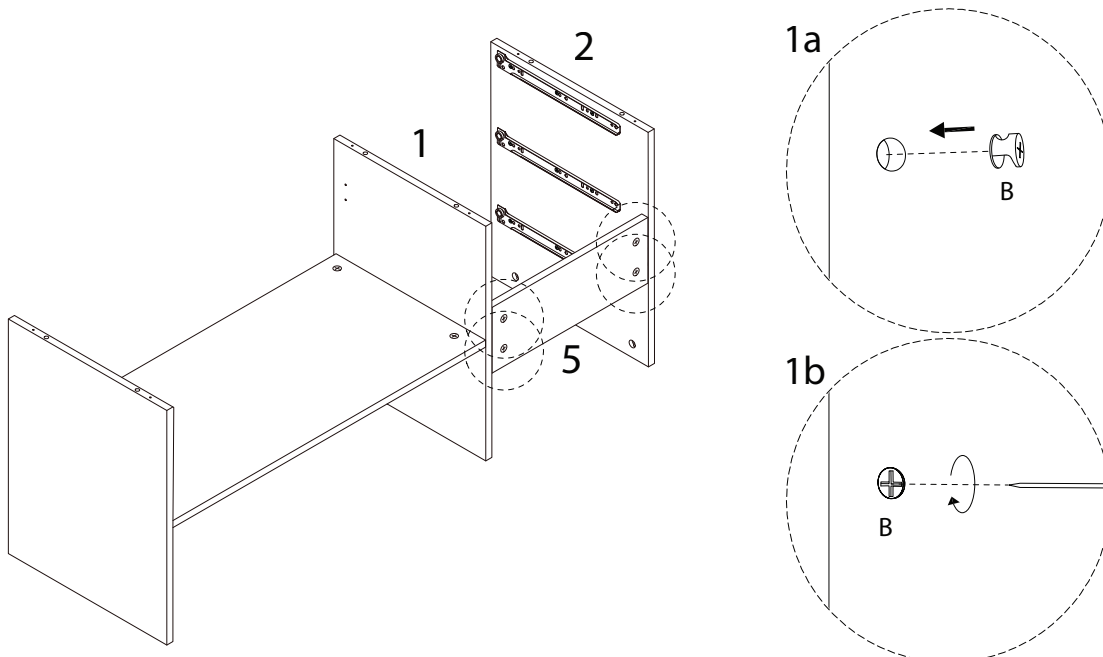


11

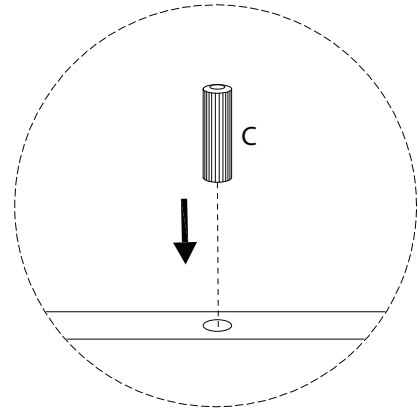
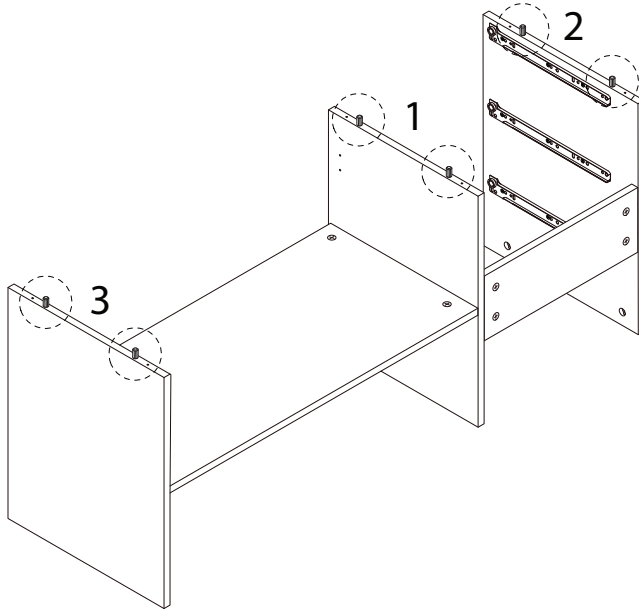
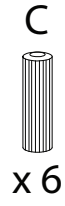
B



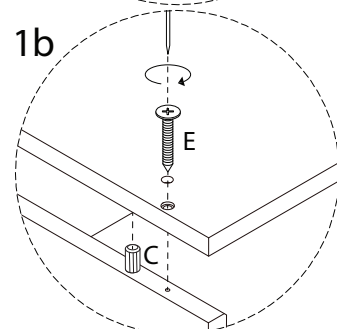
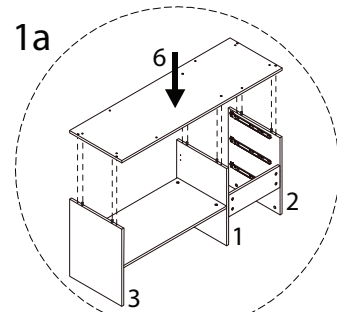
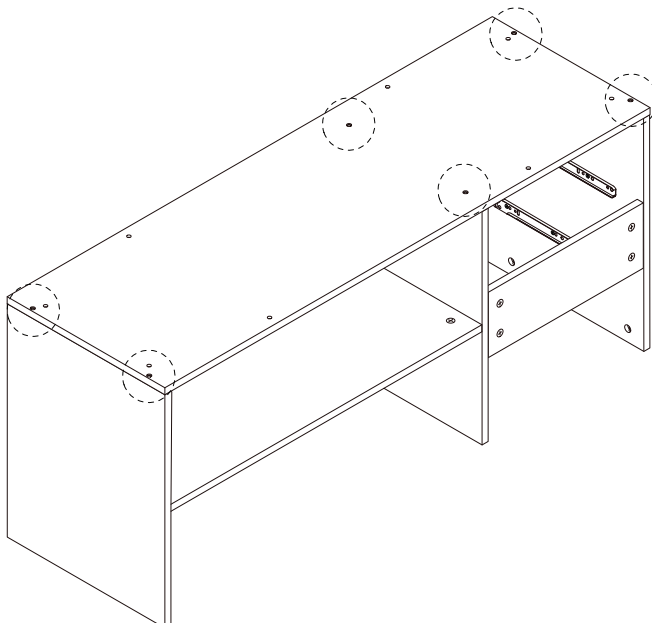
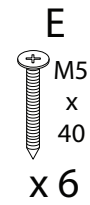
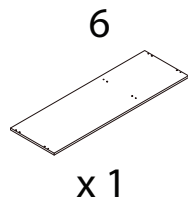
x 4



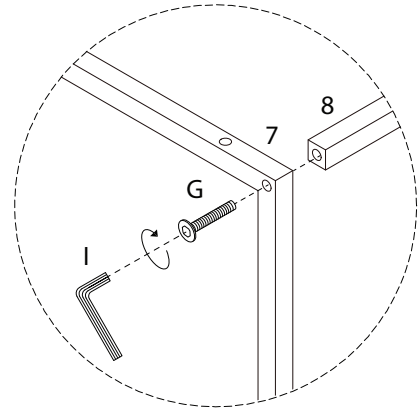
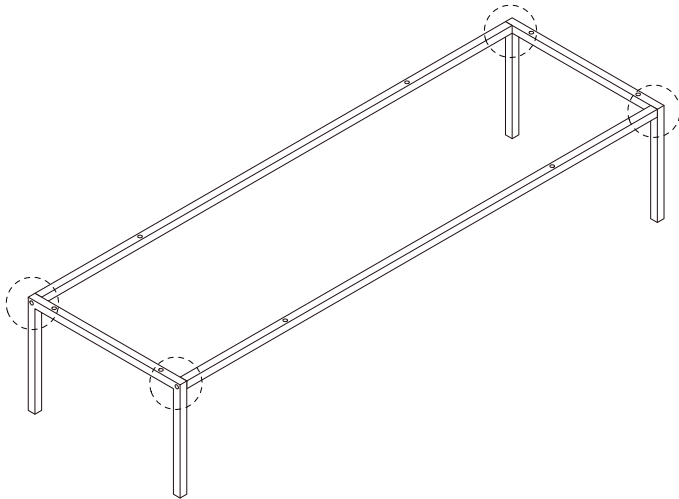
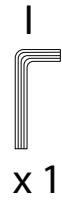
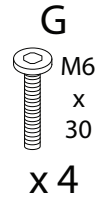
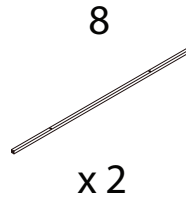
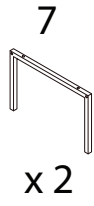
12



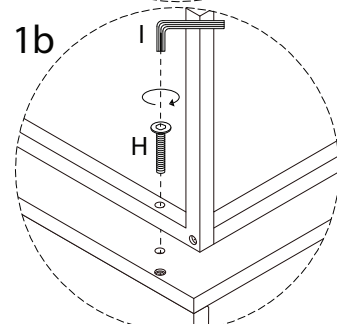
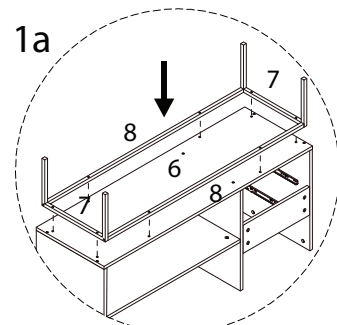
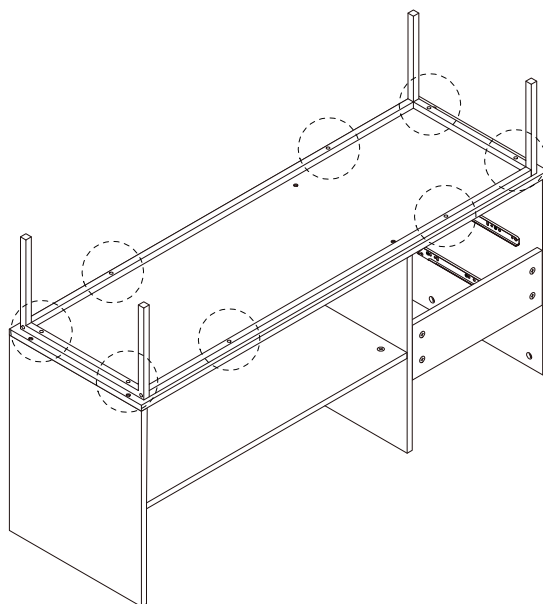
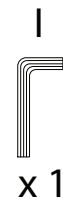
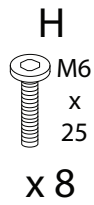
13



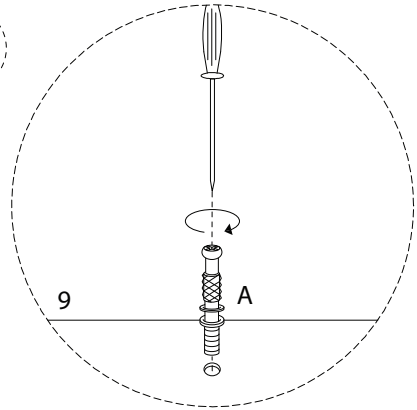
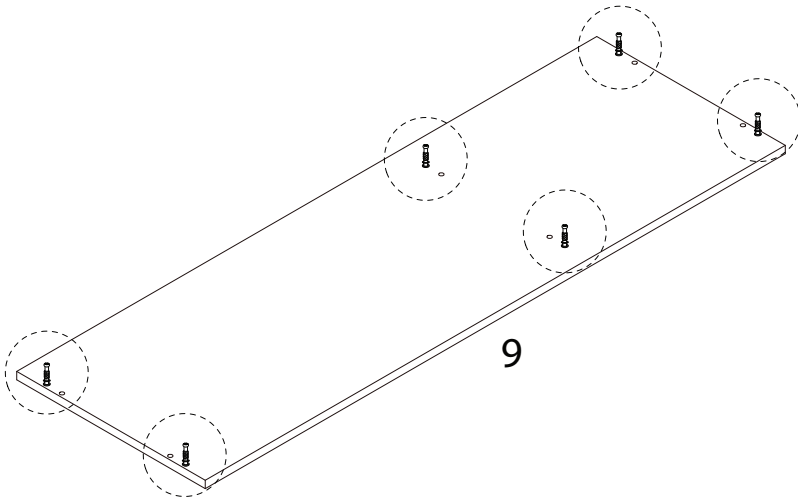
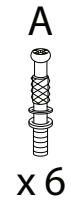
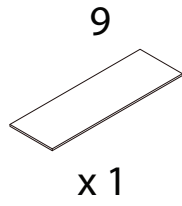
14



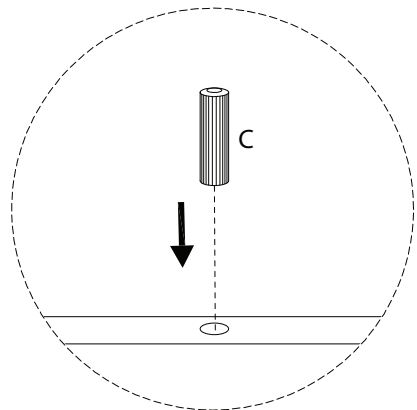
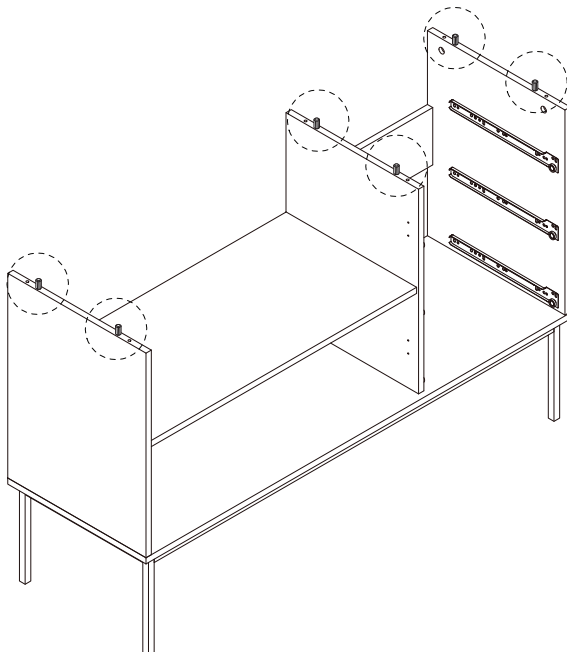
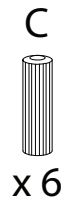
15



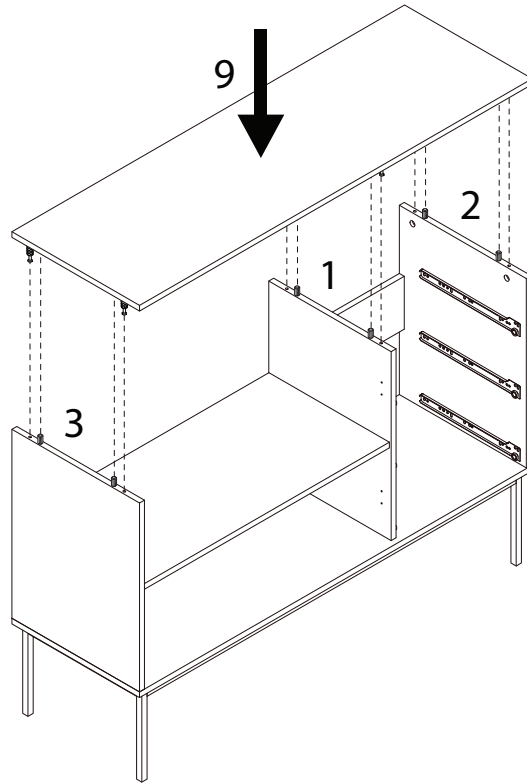
16



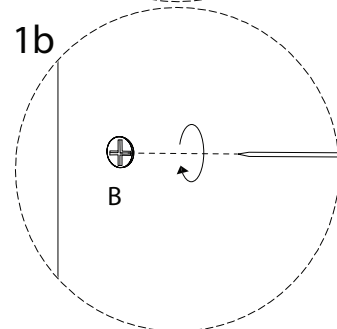
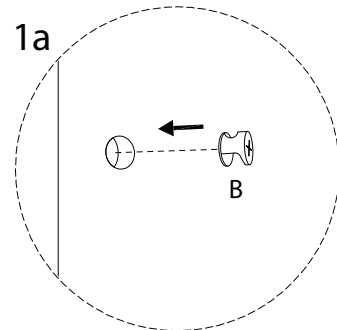
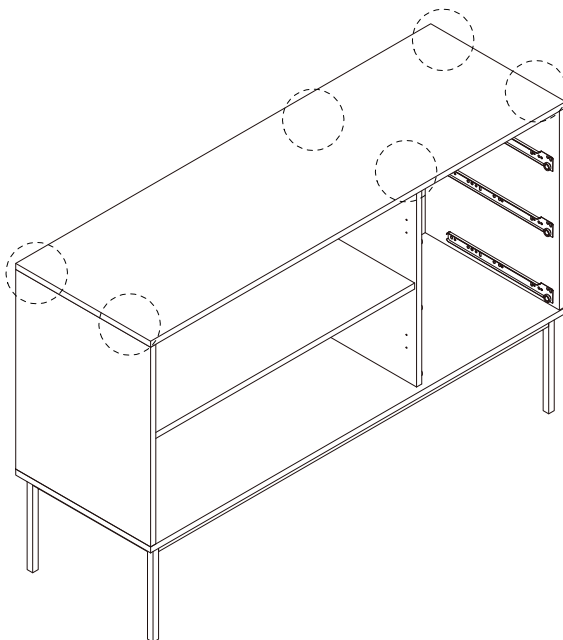
17



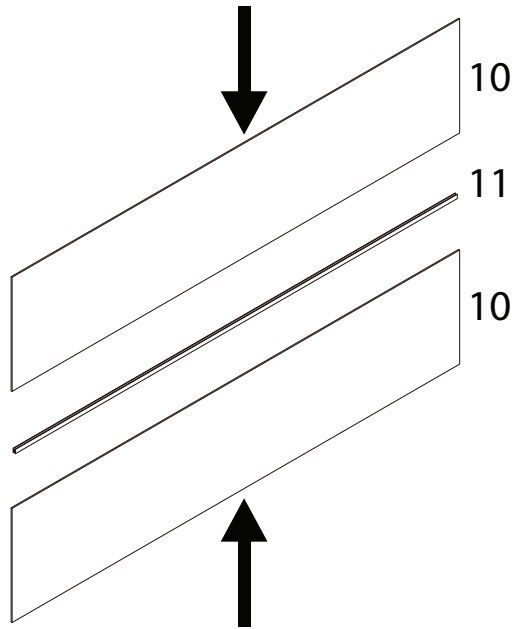
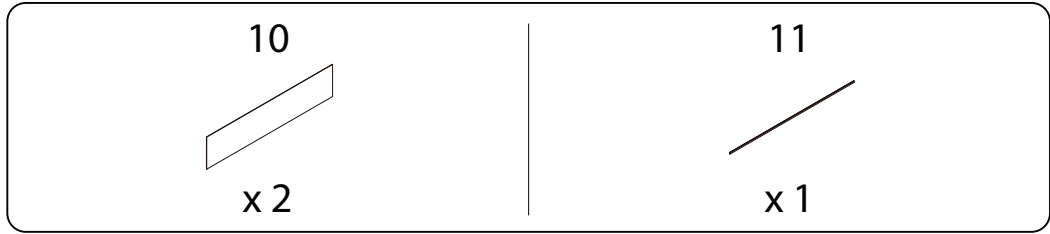
18



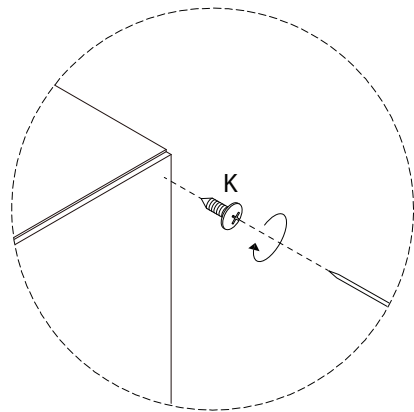
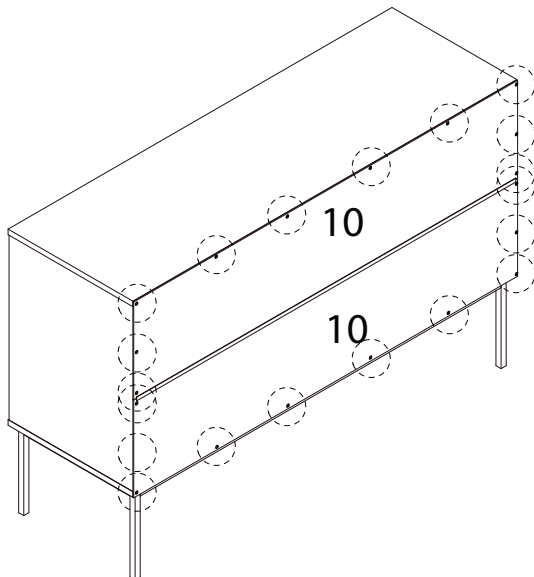
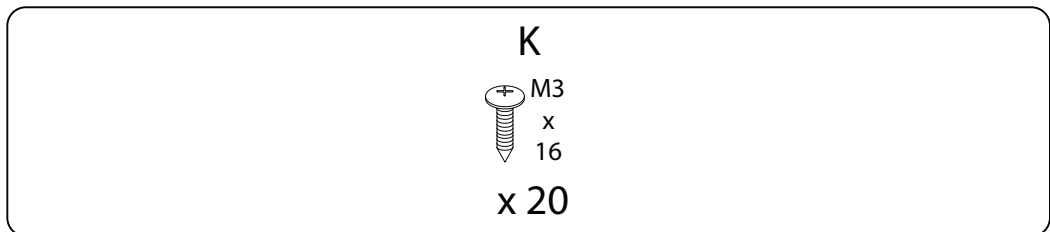
19



20




21

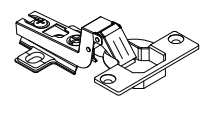


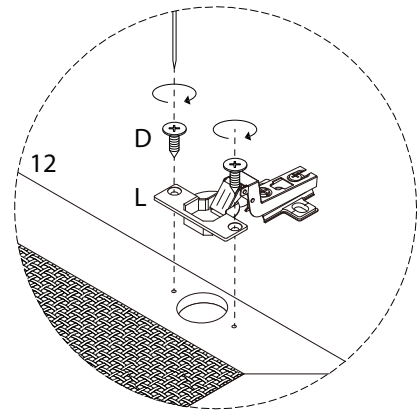
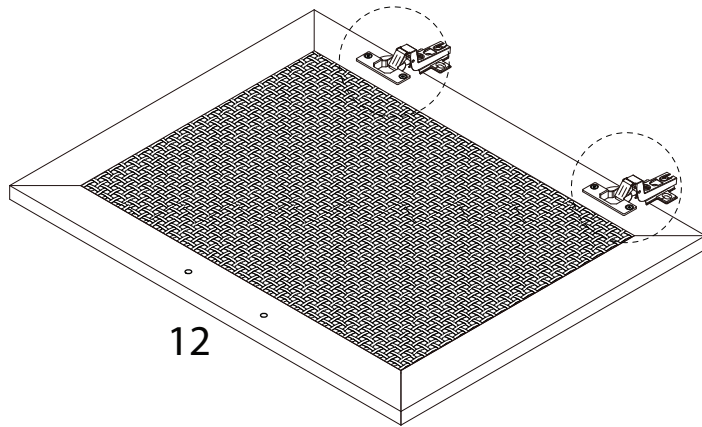
22

12

x 1

D
 M3.5
x
14
x 4


L

x 2

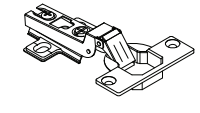


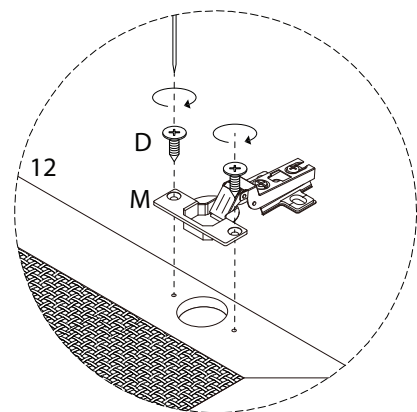
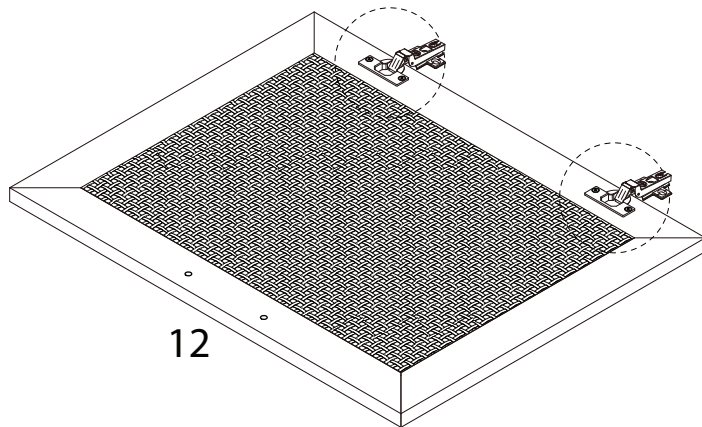
23

12

x 1

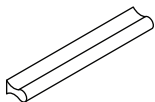
D
 M3.5
x
14
x 4

M

x 2



24

F1

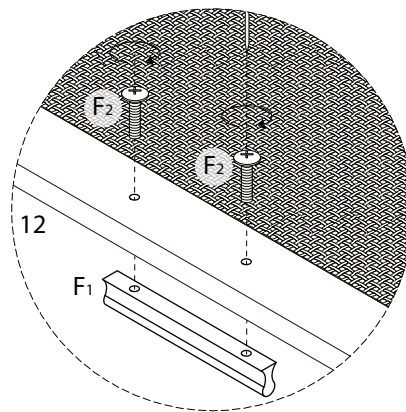
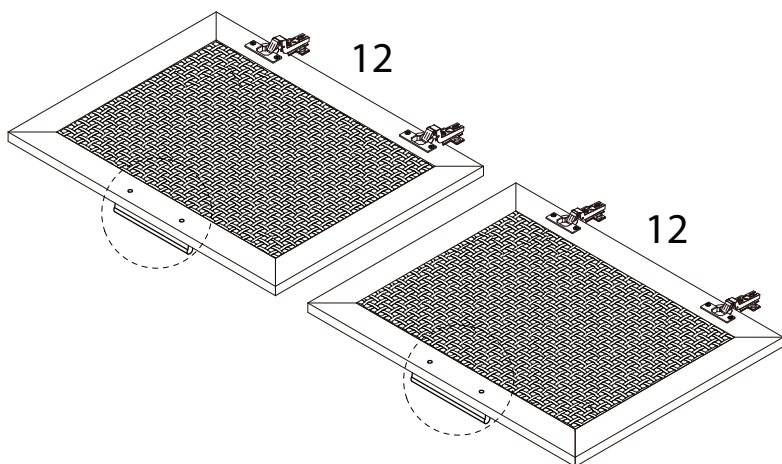


x 2

F2

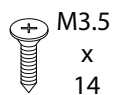


x 4

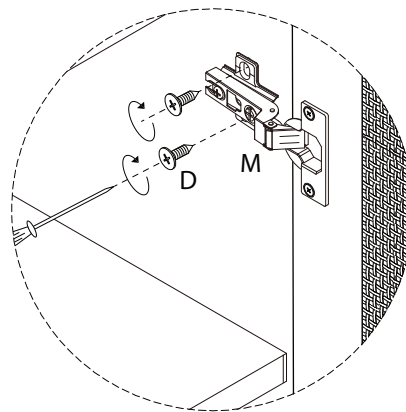
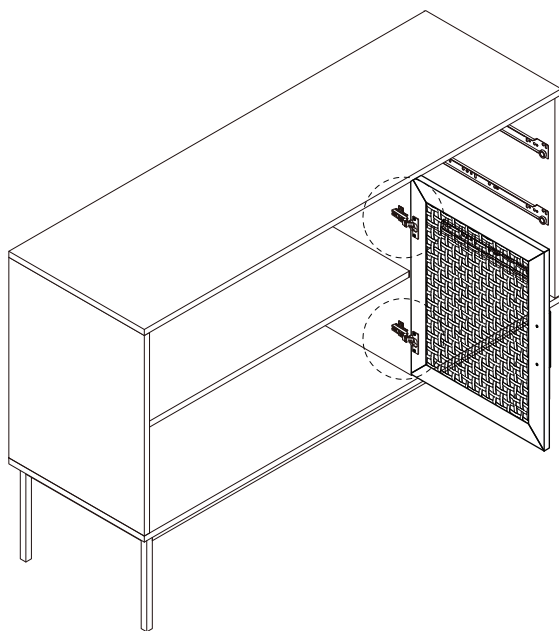


25

D

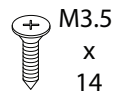


x 4

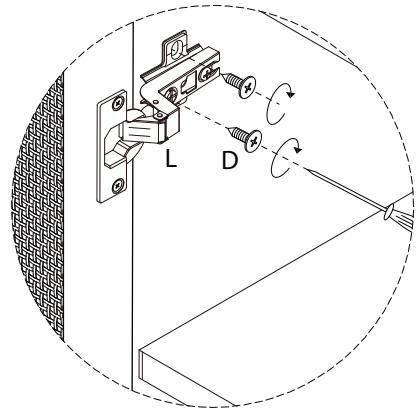
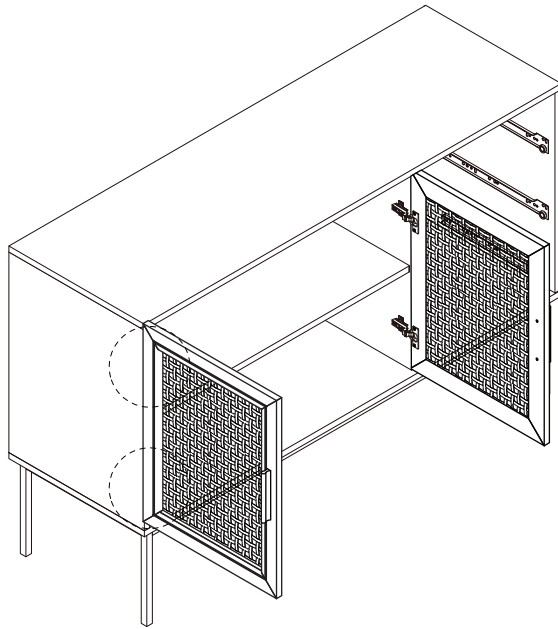


26

D

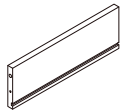


x 4



27 x 3

15

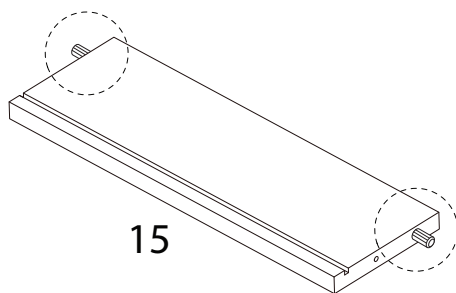


x 1

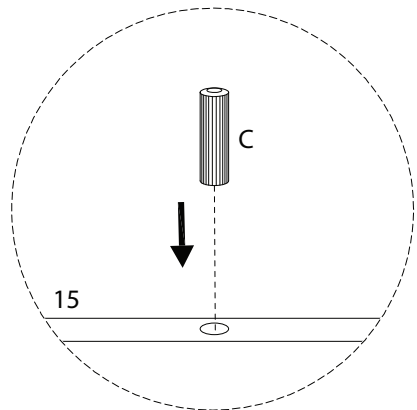
C



x 2

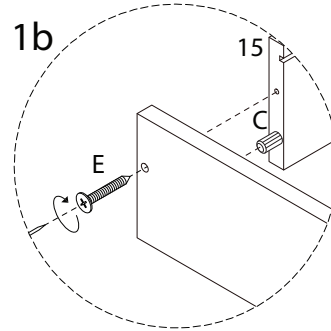
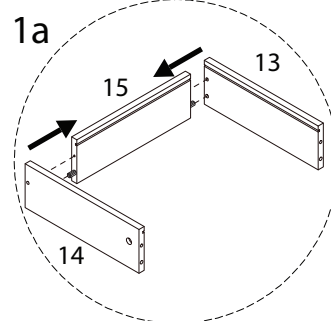
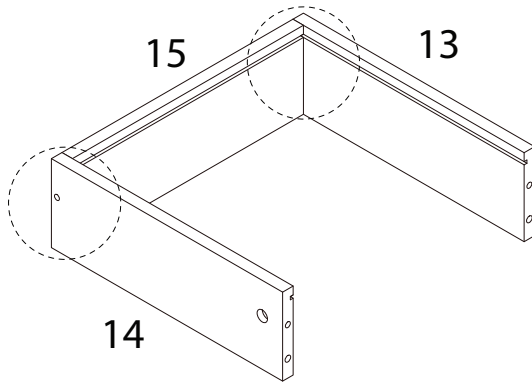
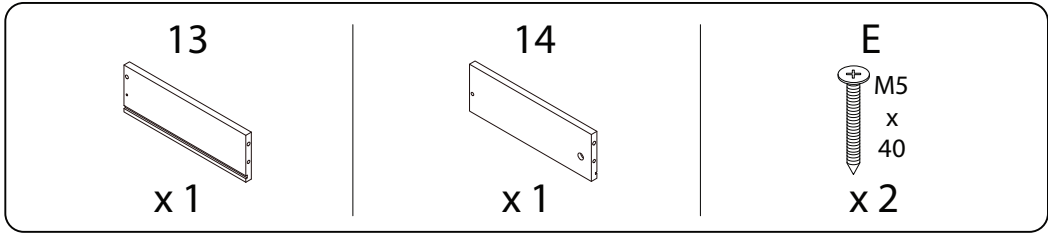


15

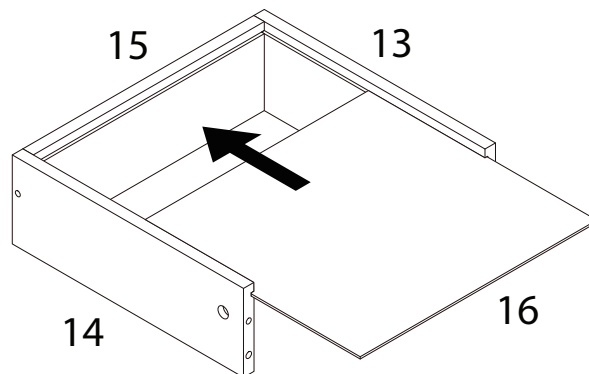
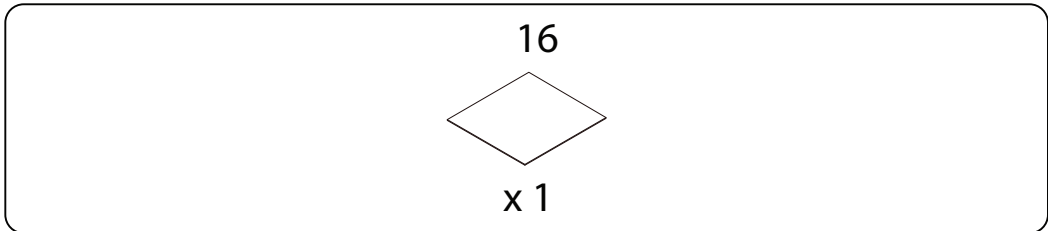


15

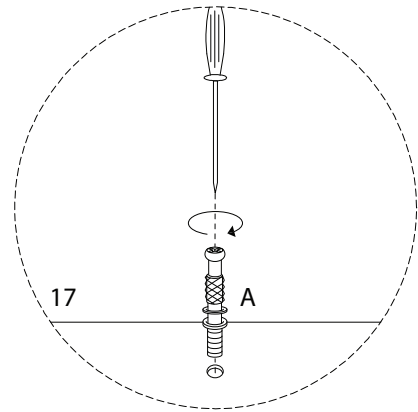
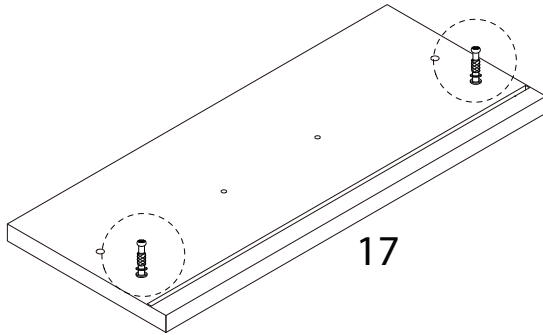
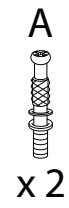
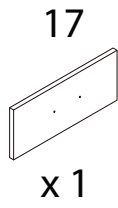
28 x 3



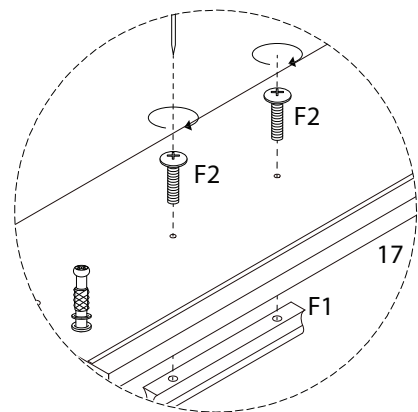
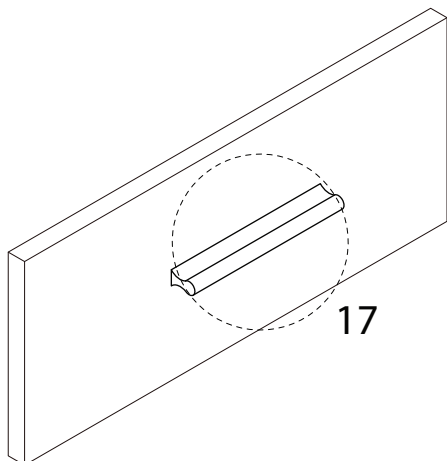
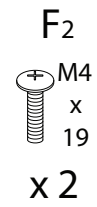
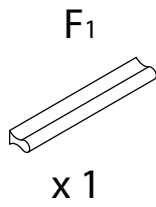
29 x 3



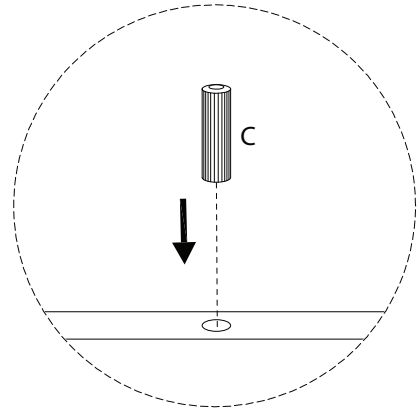
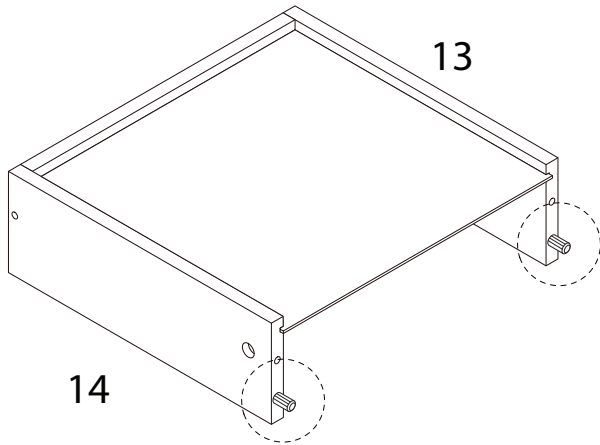
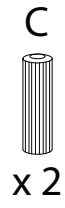
30 x 3



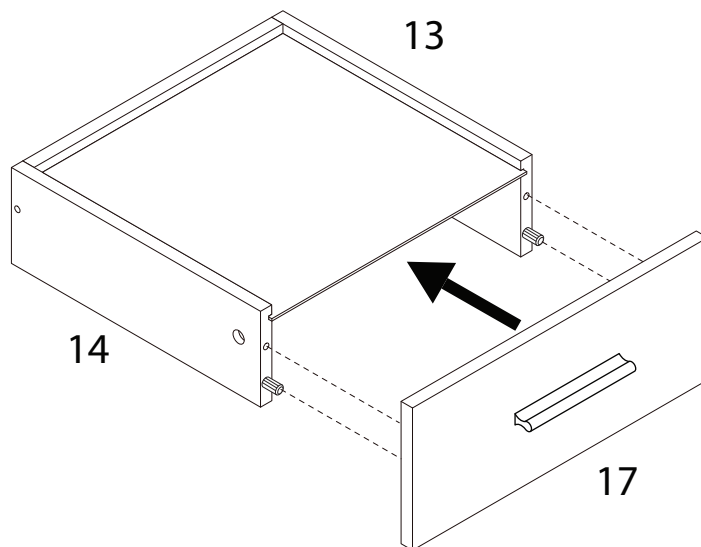
31 x 3



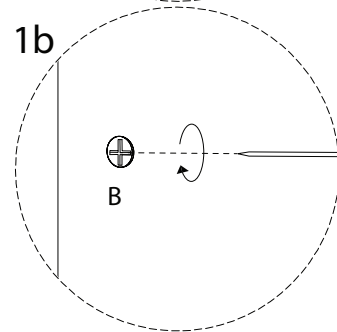
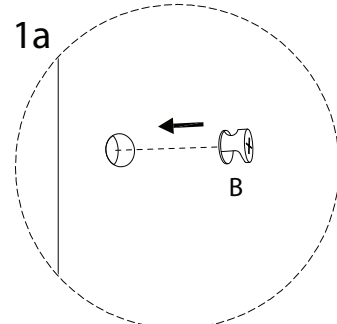
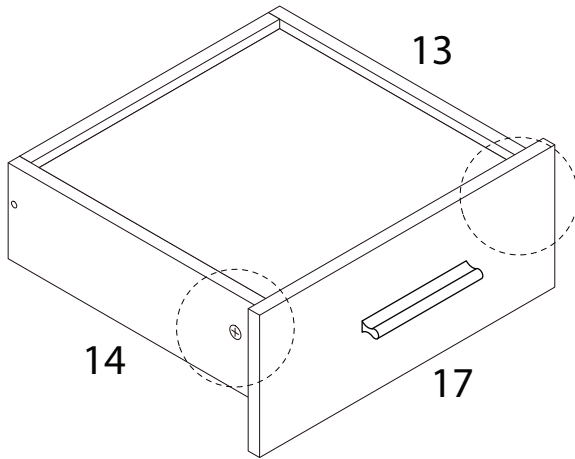
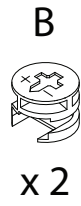
32 x 3



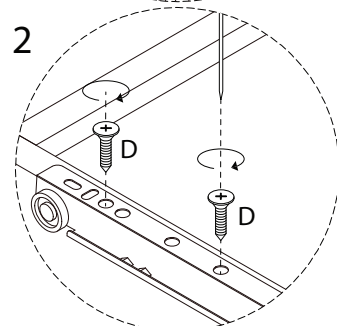
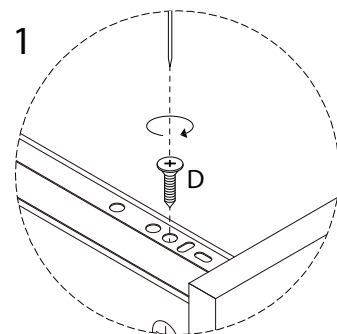
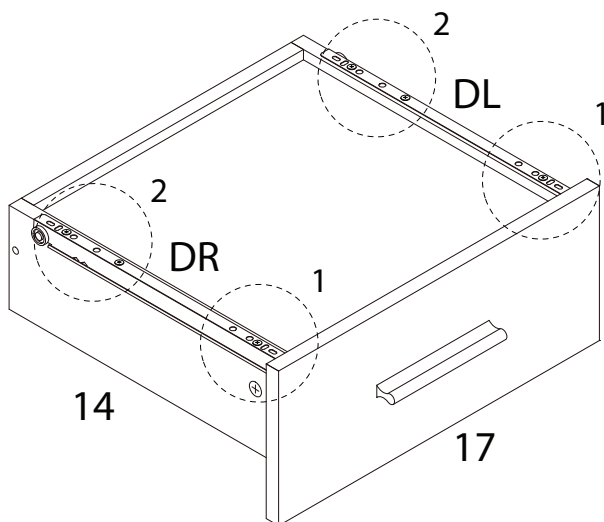
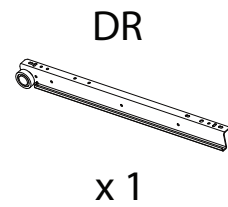
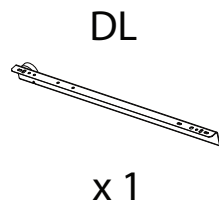
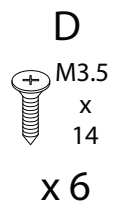
33 x 3



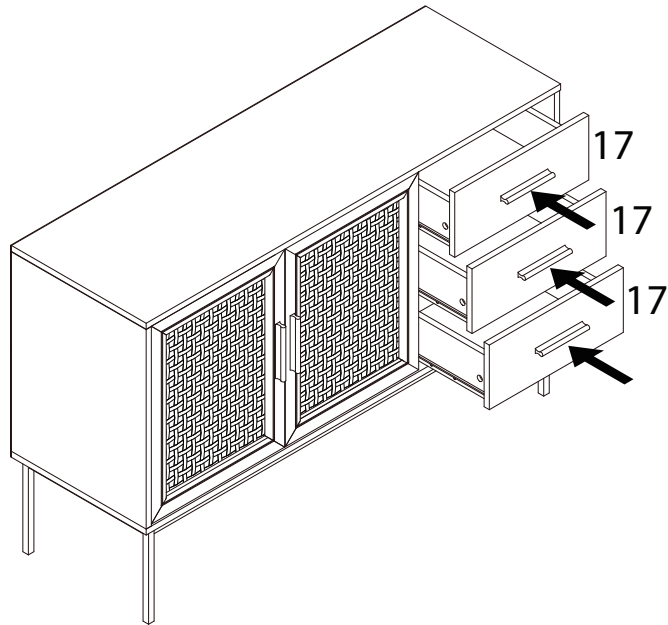
34 x 3



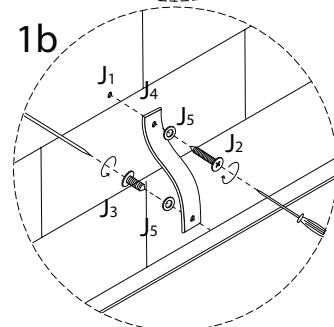
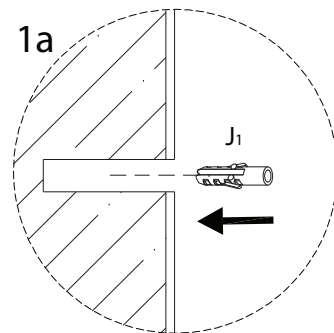
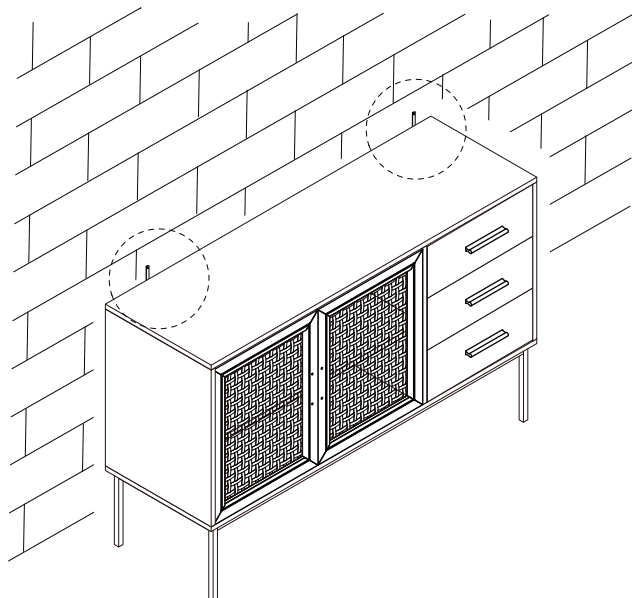
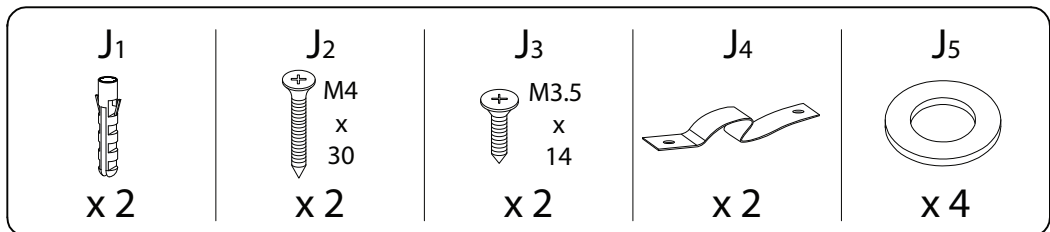
35 x 3



36



37



!

